



US00D403016S

United States Patent [19]

[11] **Patent Number: Des. 403,016**

Bedol et al.

[45] **Date of Patent: **Dec. 22, 1998**

[54] **TAPE, GLUE AND STAPLER WITH HOLDER**

D. 261,008	9/1981	Mizejewski	D19/32
D. 273,170	3/1984	Sato	D8/49
D. 354,770	1/1995	Bedol	D19/72
D. 358,422	5/1995	Bedol	D19/66
4,915,522	4/1990	Greathouse	402/79
5,409,319	4/1995	Bedol	402/4 X
5,498,089	3/1996	Motyka	402/4
5,695,294	12/1997	Bedol et al.	402/80 R X

[75] Inventors: **Mark A. Bedol**, P.O. Box 1268,
Claremont, Calif. 91711; **Doug Noyes**,
Upland, Calif.

[73] Assignee: **Mark A. Bedol**, Claremont, Calif.

[**] Term: **14 Years**

Primary Examiner—Martie K. Holtje

[21] Appl. No.: **79,933**

[57] **CLAIM**

[22] Filed: **Nov. 13, 1997**

The ornamental design for an tape, glue and stapler with holder, as shown and described.

[51] **LOC (6) Cl.** **19-04**

DESCRIPTION

[52] **U.S. Cl.** **D19/32; D19/66; D19/69;**
D19/65; D8/49; D8/105

[58] **Field of Search** D19/35, 36, 65,
D19/32, 33, 26, 27, 67-69, 66; D8/49-51,
105; 402/1, 4, 79, 80 R; 281/15.1, 38, 51;
7/160

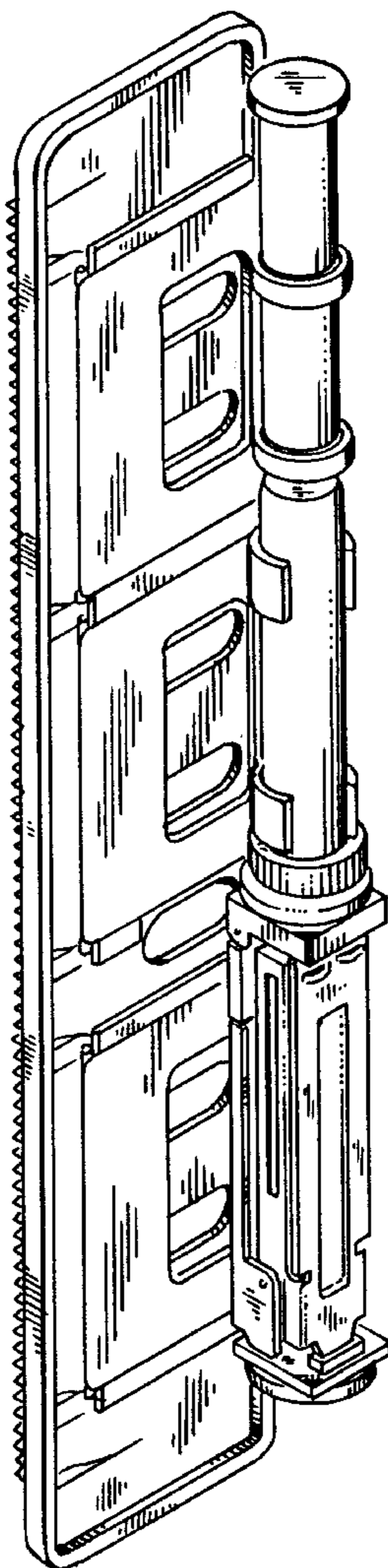
FIG. 1 is a rear, left, top perspective view thereof;
FIG. 2 is a rear elevation view thereof;
FIG. 3 is a top view thereof;
FIG. 4 is a bottom view thereof;
FIG. 5 is a front view thereof;
FIG. 6 is a right side view thereof; and,
FIG. 7 is a left side view thereof.

[56] **References Cited**

U.S. PATENT DOCUMENTS

D. 118,380 1/1940 Maynard D8/49

1 Claim, 2 Drawing Sheets



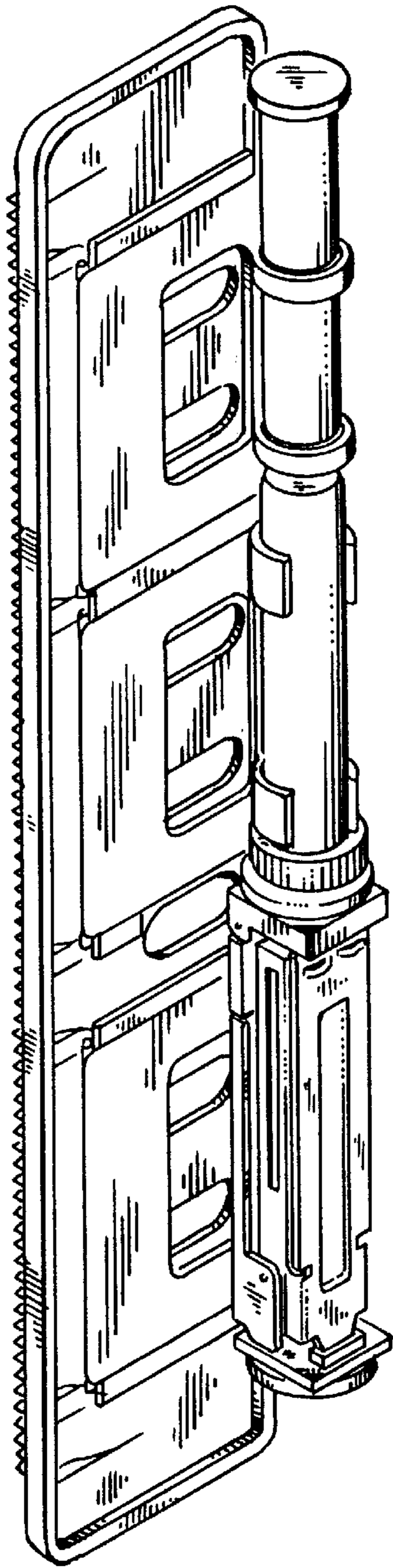


FIG. 1

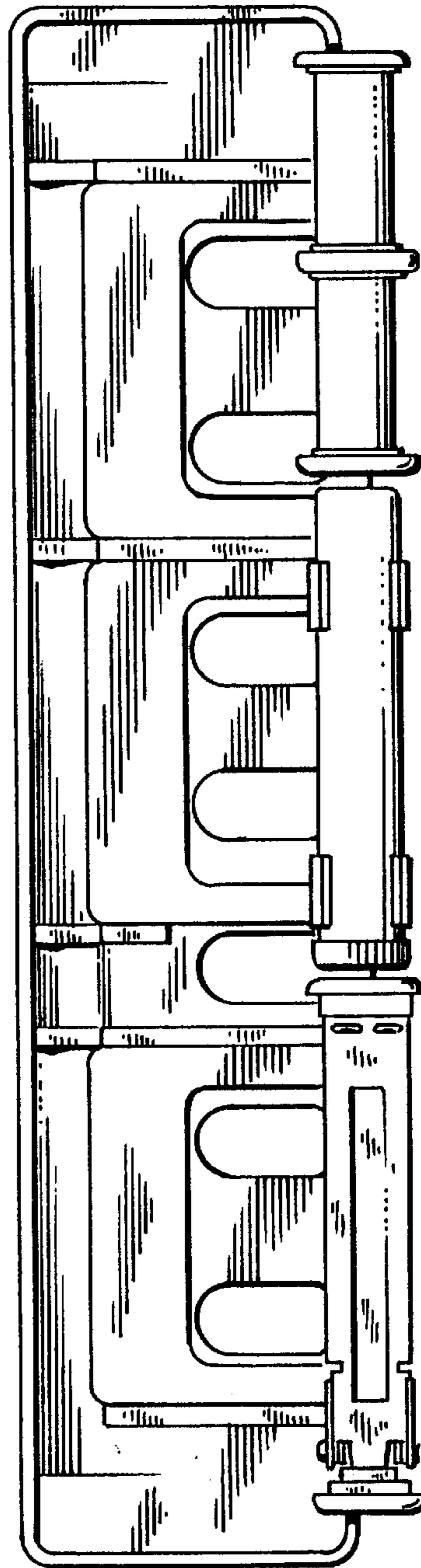


FIG. 2

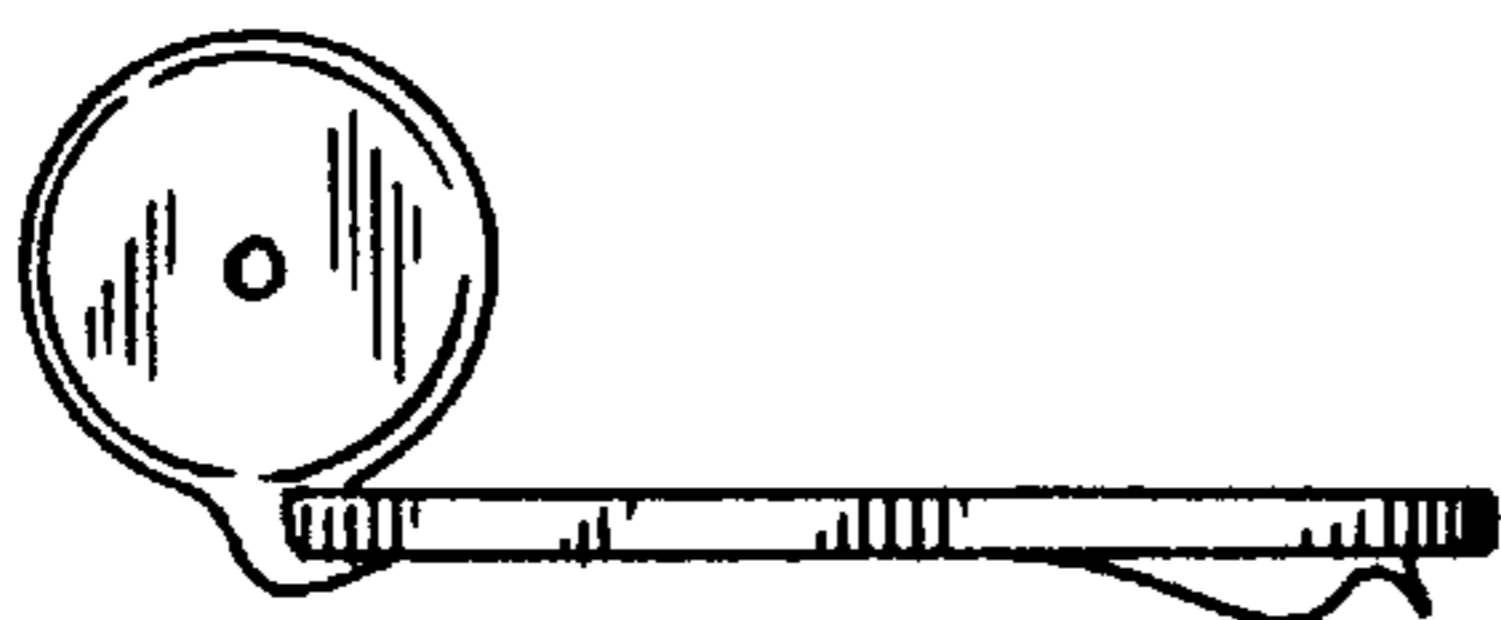


FIG. 3

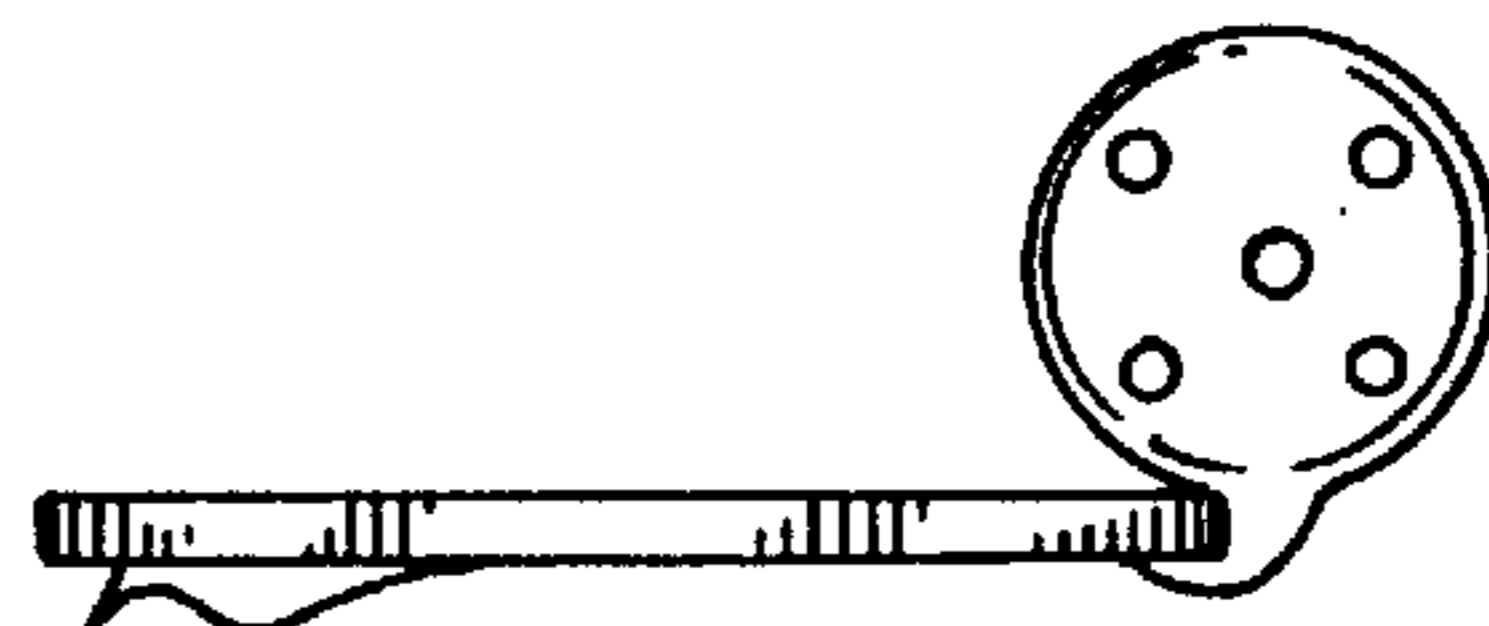


FIG. 4

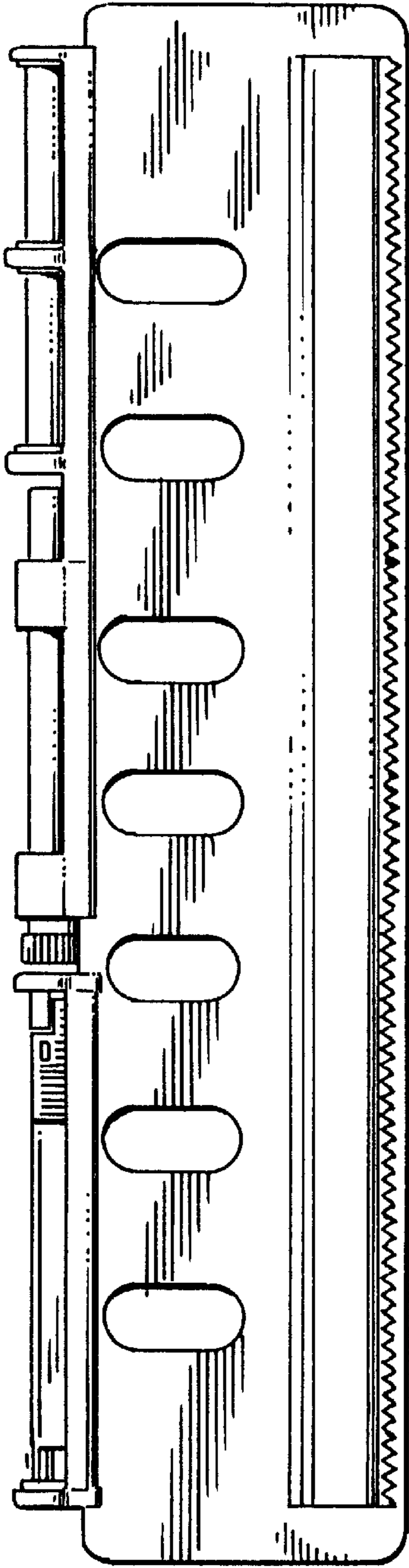


FIG. 5

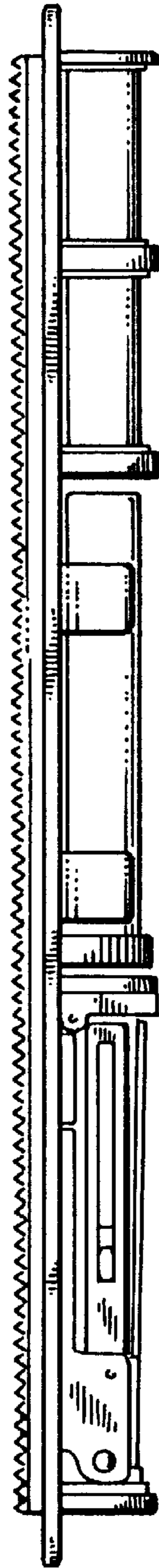


FIG. 6

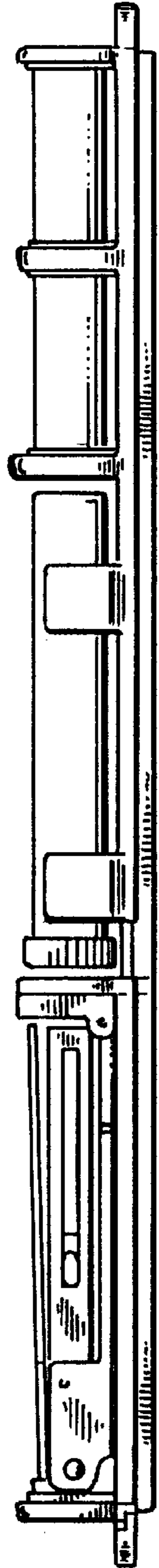


FIG. 7