



US00D403007S

# United States Patent [19]

Ishii

[11] **Patent Number: Des. 403,007**

[45] **Date of Patent: \*\*Dec. 22, 1998**

## [54] **WATER PROOF CASE FOR VIDEO CAMERA COMBINED WITH VIDEO TAPE RECORDER**

[75] Inventor: **Daisuke Ishii**, Tokyo, Japan

[73] Assignee: **Sony Corporation**, Tokyo, Japan

[\*\*] Term: **14 Years**

[21] Appl. No.: **65,283**

[22] Filed: **Jan. 31, 1997**

### [30] **Foreign Application Priority Data**

Aug. 8, 1996 [JP] Japan ..... 8-23681

[51] **LOC (6) Cl.** ..... **16-01**

[52] **U.S. Cl.** ..... **D16/204; D3/267**

[58] **Field of Search** ..... D16/200-206, D16/208; D3/267, 268; 348/373-376; 352/242, 243; 358/906; 206/316.1, 316.2; H04N 5/225

### [56] **References Cited**

#### **U.S. PATENT DOCUMENTS**

D. 187,165	2/1960	Sampson	.....	D16/204
D. 332,459	1/1993	Morimiya	.....	D16/204
D. 356,327	3/1995	Mouri	.....	D16/204
D. 376,378	12/1996	Tanaka	.....	D16/204
5,092,458	3/1992	Yokoyama	.....	206/316.2

#### FOREIGN PATENT DOCUMENTS

6-86116 3/1994 Japan .

*Primary Examiner*—Philip S. Hyder  
*Assistant Examiner*—Adir Aronovich  
*Attorney, Agent, or Firm*—Foley & Lardner

### [57] **CLAIM**

The ornamental design for a water proof case for a combined tape recorder and camera, as shown and described.

### **DESCRIPTION**

FIG. 1 is a top, rear perspective view of a water proof case for a combined tape recorder and camera showing my new design;

FIG. 2 is a top plan view thereof;

FIG. 3 is a front elevational view thereof;

FIG. 4 is a rear elevational view thereof;

FIG. 5 is a bottom plan view thereof;

FIG. 6 is a left side elevational view thereof; and,

FIG. 7 is a right side elevational view thereof.

The entire disclosure of Japanese Design Application No. 8-23681 filed on Aug. 8, 1996 including drawings and explanations thereto is incorporated herein by reference in its entirety.

**1 Claim, 4 Drawing Sheets**

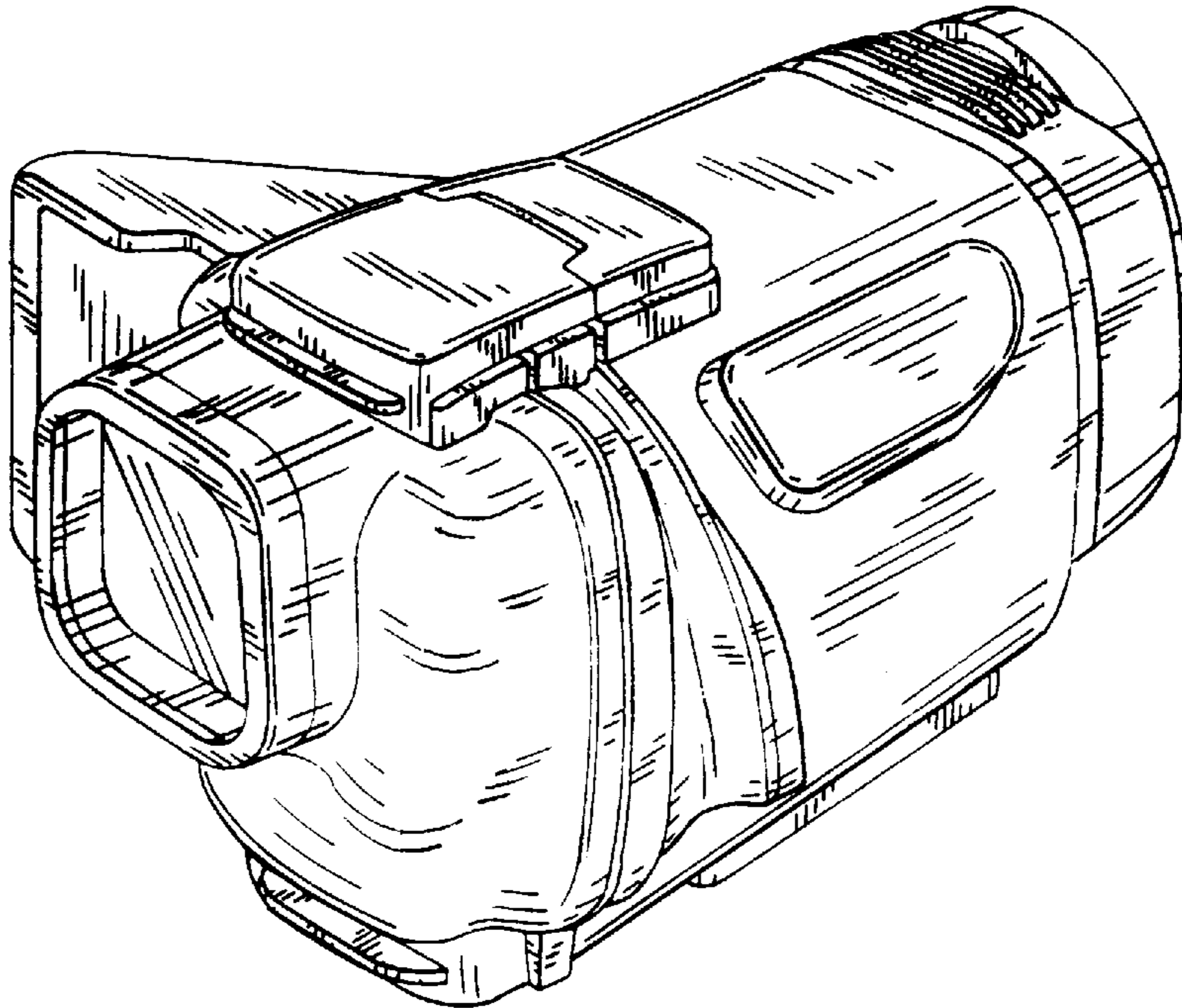


FIG. 1

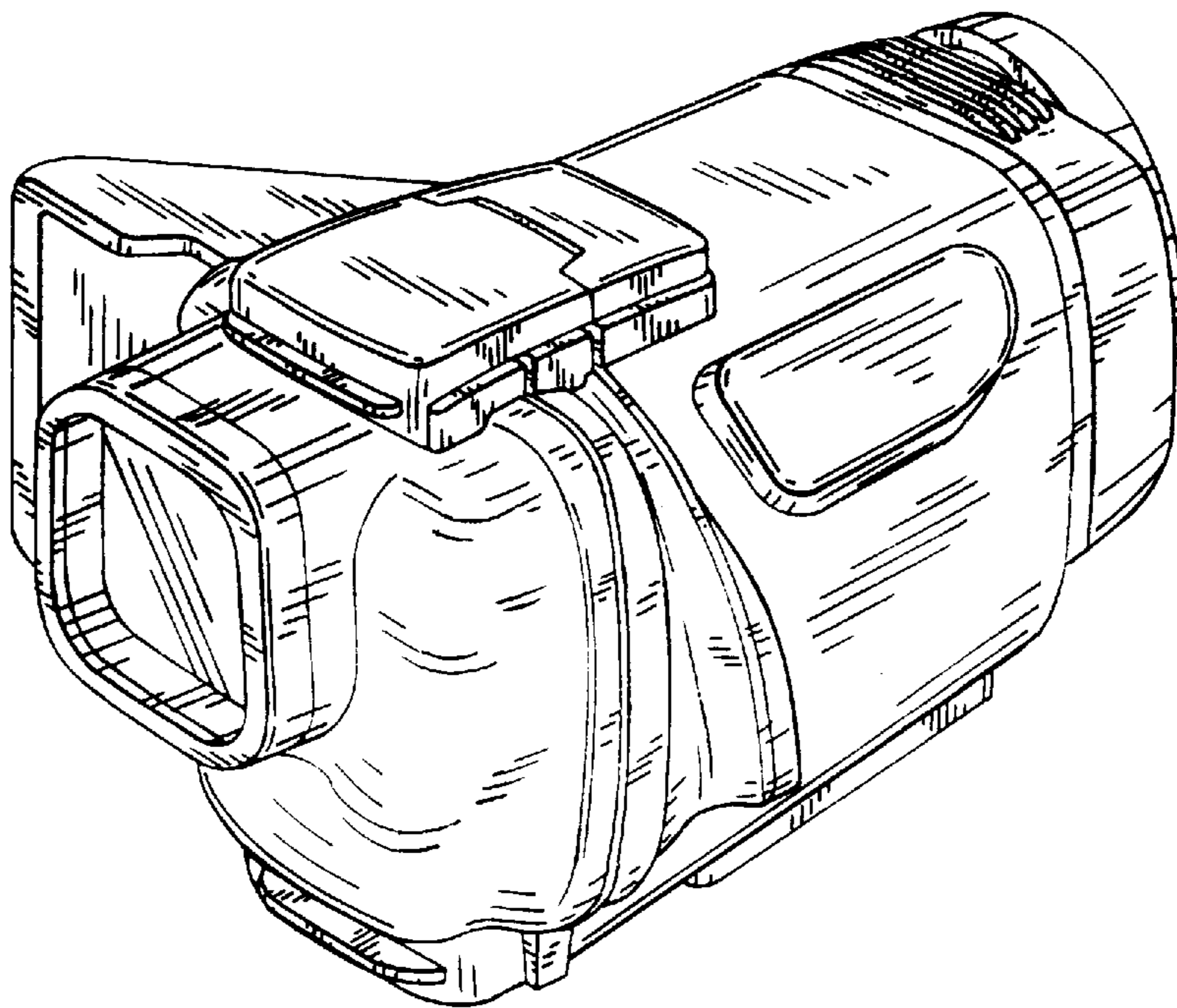


FIG. 2

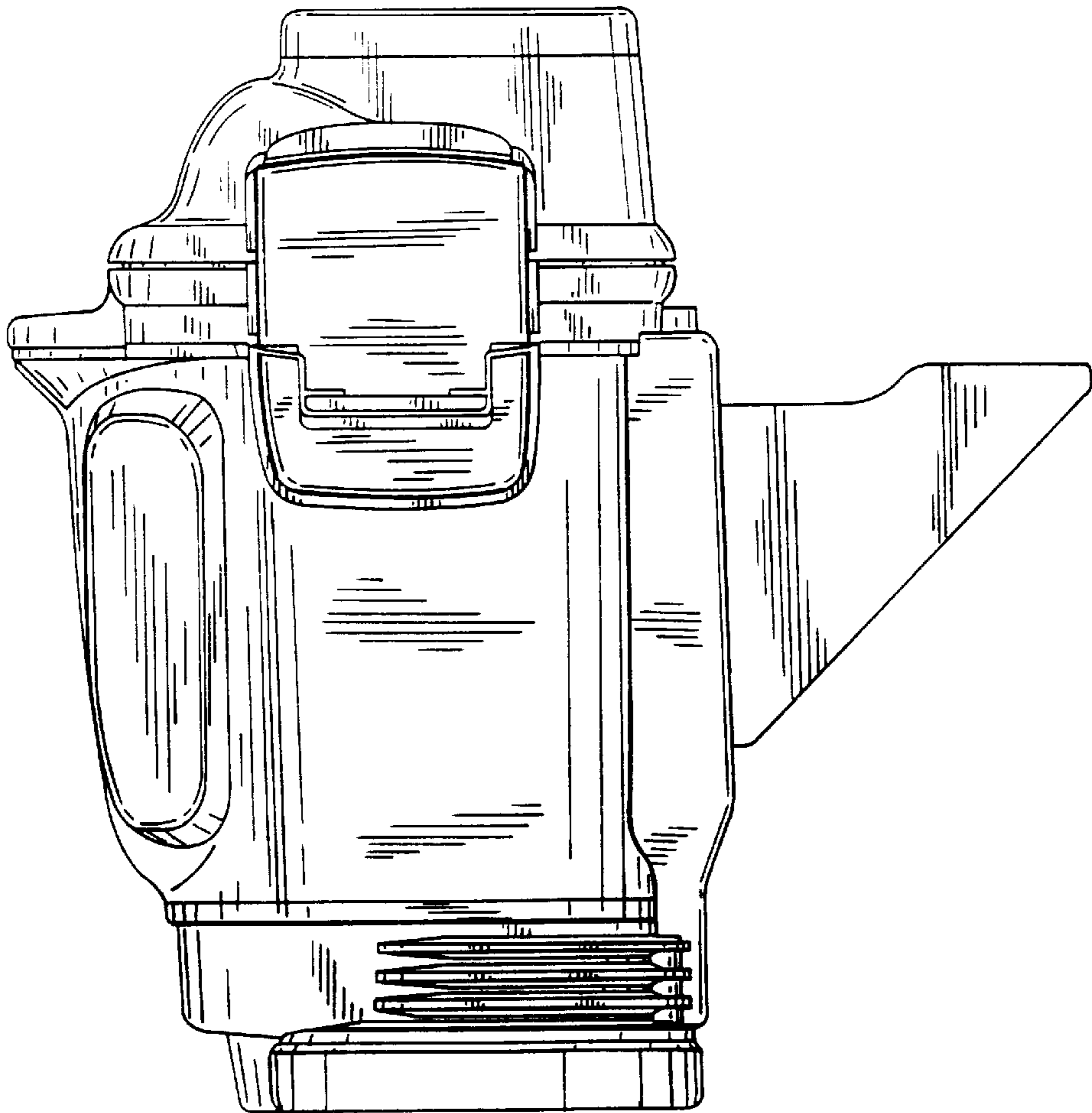


FIG. 3

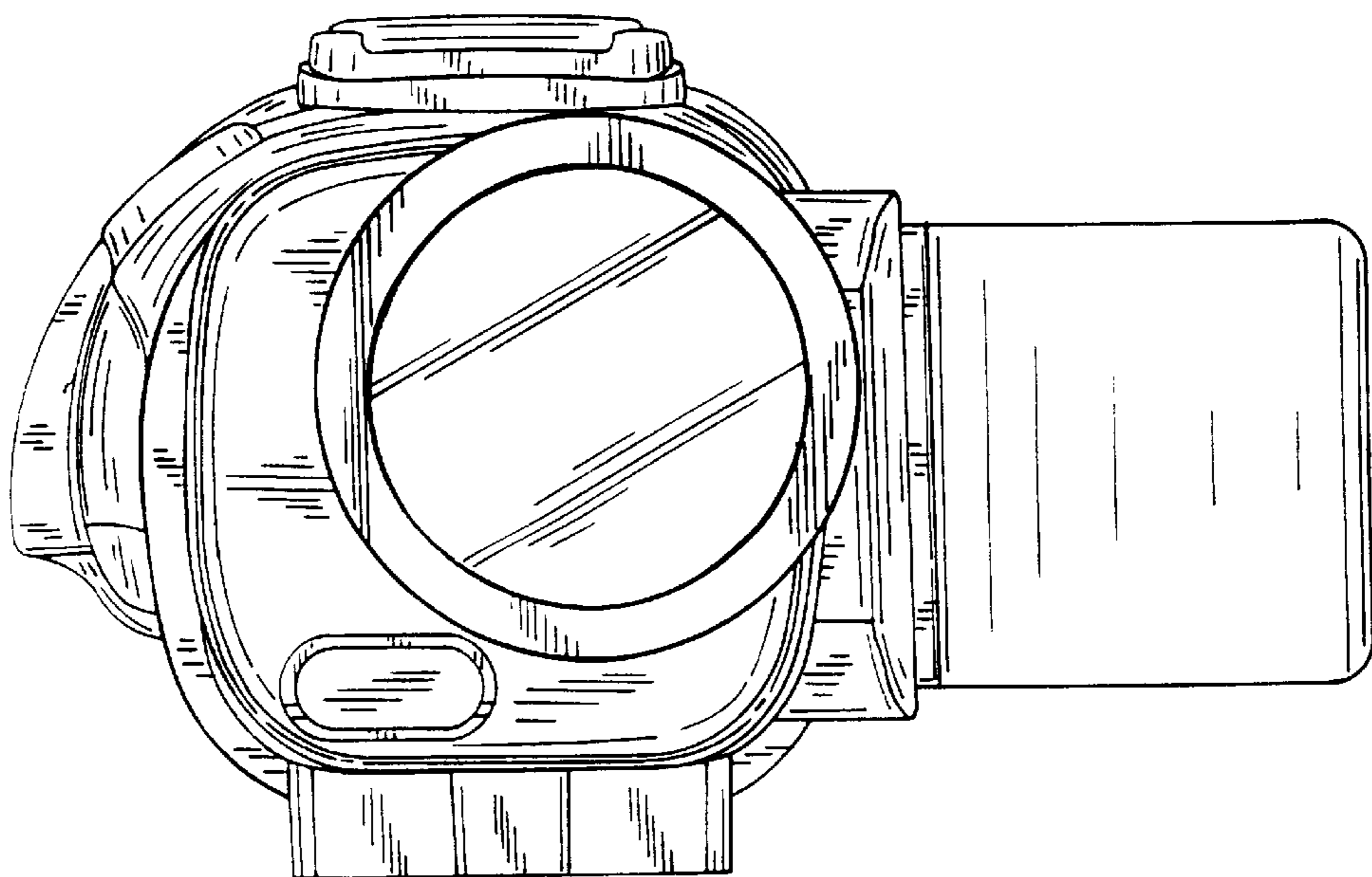


FIG. 4

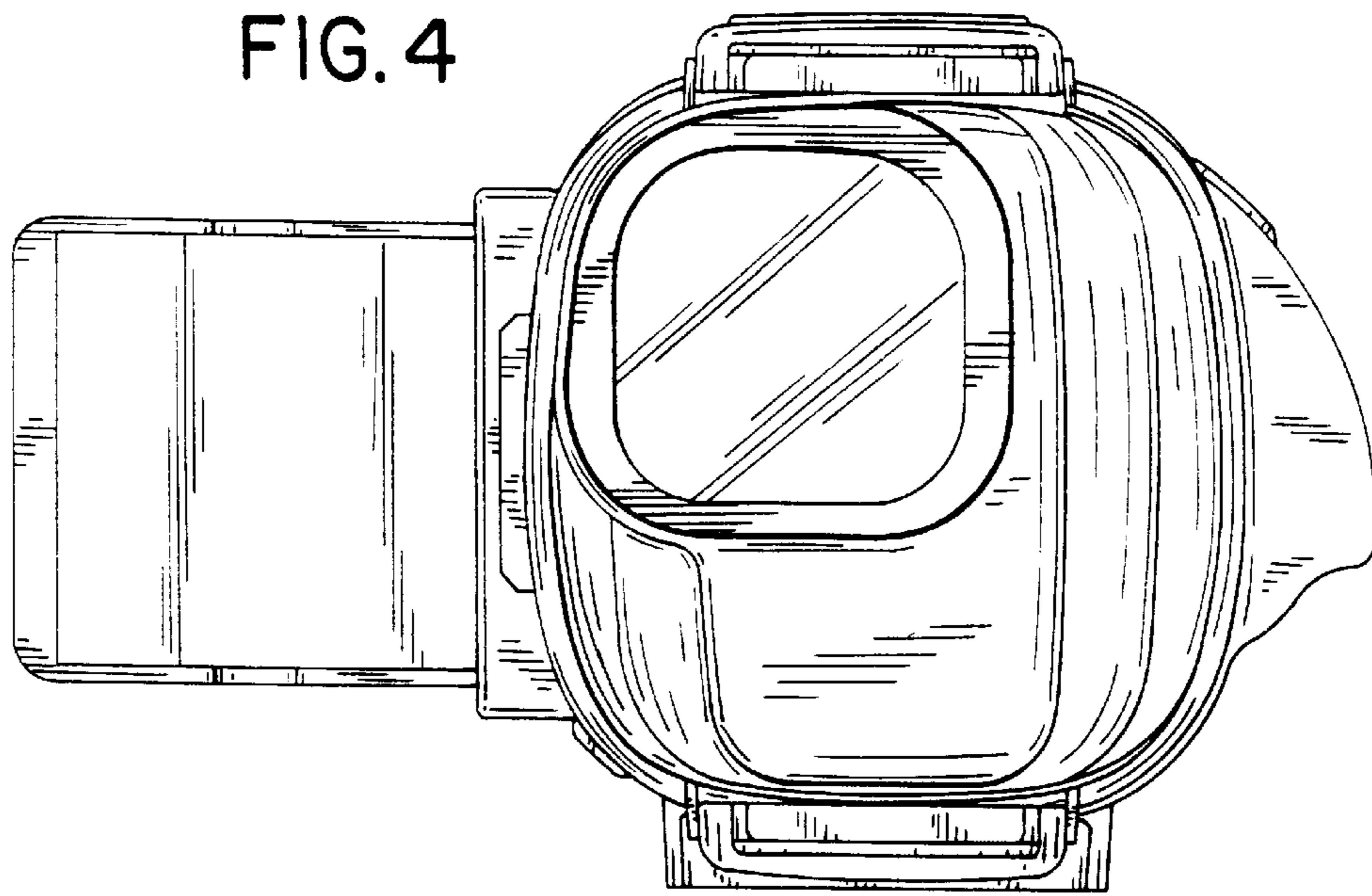


FIG. 5

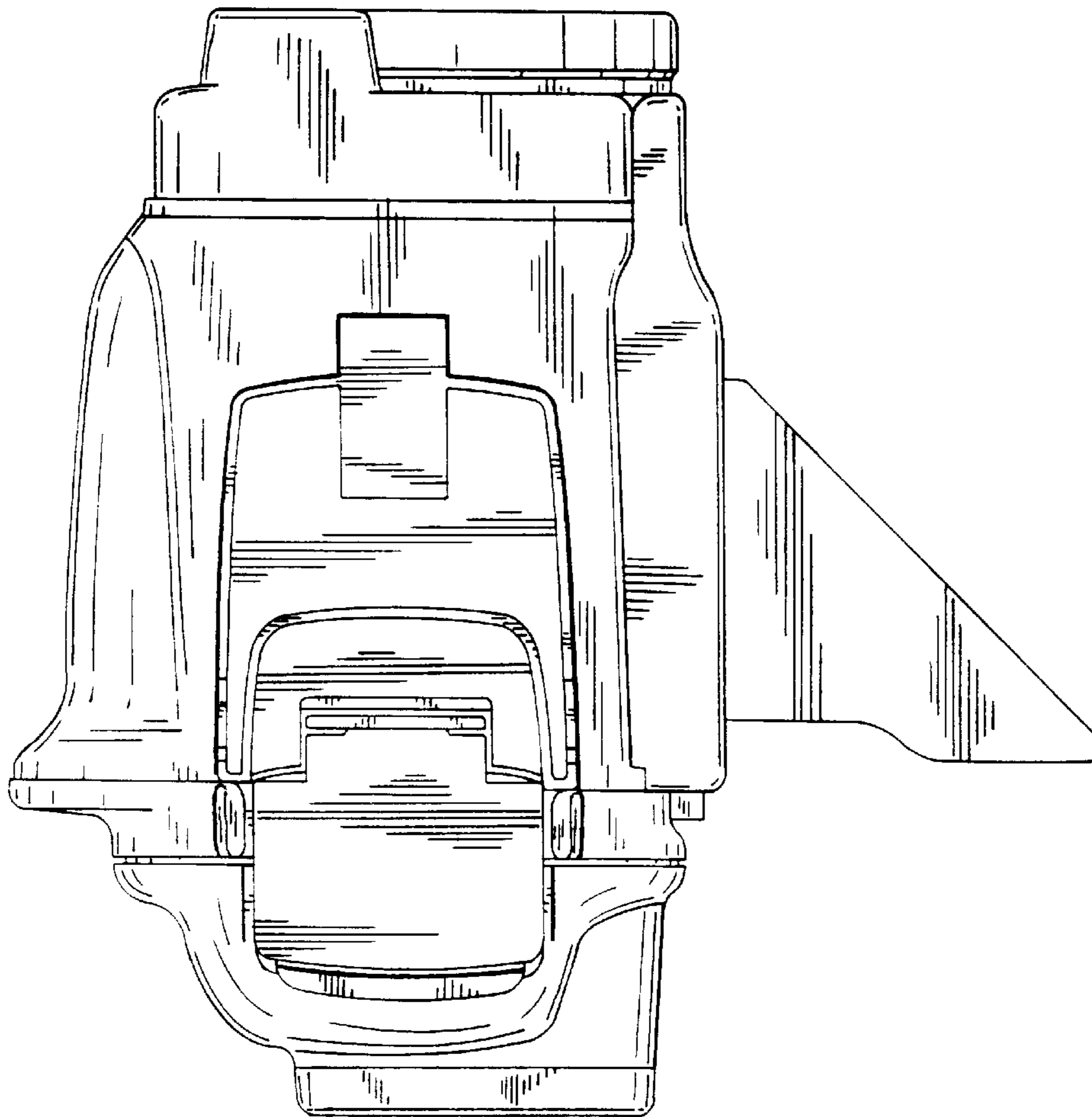


FIG. 6

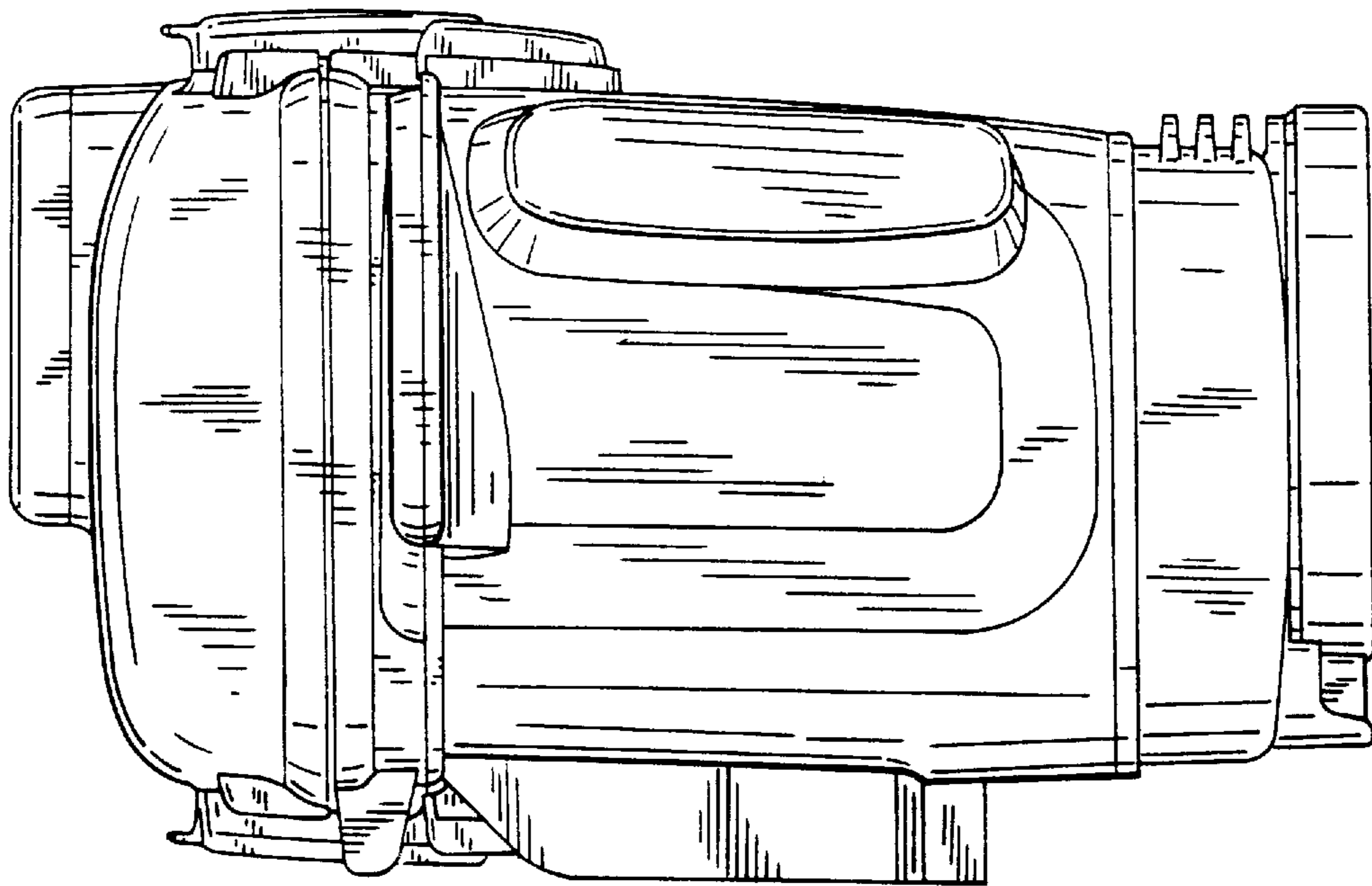


FIG. 7

