



US00D403006S

**United States Patent** [19]  
**Romano**

[11] **Patent Number: Des. 403,006**

[45] **Date of Patent: \*\*Dec. 22, 1998**

[54] **COUNTERFEIT DETECTION VIEWER FOR PAPER CURRENCY**

[76] Inventor: **Camille Romano**, 7436 SW. 117th Ave., Suite 208, Miami, Fla. 33183

[\*\*] Term: **14 Years**

[21] Appl. No.: **73,957**

[22] Filed: **Jul. 25, 1997**

**Related U.S. Application Data**

[62] Division of Ser. No. 64,213, Dec. 24, 1996, Pat. No. Des. 394,667.

[51] **LOC (6) Cl.** ..... **16-06**

[52] **U.S. Cl.** ..... **D16/135**

[58] **Field of Search** ..... D16/130, 135;  
359/802, 804, 806, 808, 809, 810, 811,  
816

[56] **References Cited**

**U.S. PATENT DOCUMENTS**

- D. 145,638 9/1946 Rosenberg ..... D16/135
- D. 191,851 11/1961 Lazor ..... D16/135
- D. 214,137 5/1969 Bright ..... D16/135
- D. 215,622 10/1969 St Barth Alaska ..... D16/135
- D. 260,401 8/1981 Leopoldi ..... D16/135 X

- D. 276,731 12/1984 Stoner ..... D16/135
- D. 285,699 9/1986 Leopoldi ..... D16/135
- 2,151,573 3/1939 Stanley ..... D16/135 X
- 4,040,724 8/1977 Klingler ..... 359/804
- 4,099,851 7/1978 Rethore ..... D16/135 X

*Primary Examiner*—Paula A. Mortimer  
*Attorney, Agent, or Firm*—Ezra Sutton

[57] **CLAIM**

The ornamental design for a counterfeit detection viewer for paper currency, as shown and described.

**DESCRIPTION**

FIG. 1 is a front perspective view of a counterfeit detection viewer for paper currency showing my new design, the opposite side is a mirror image;

FIG. 2 is a front perspective view of a second embodiment of a counterfeit detection viewer for paper currency, the rear is a mirror image and the end views are unornamented;

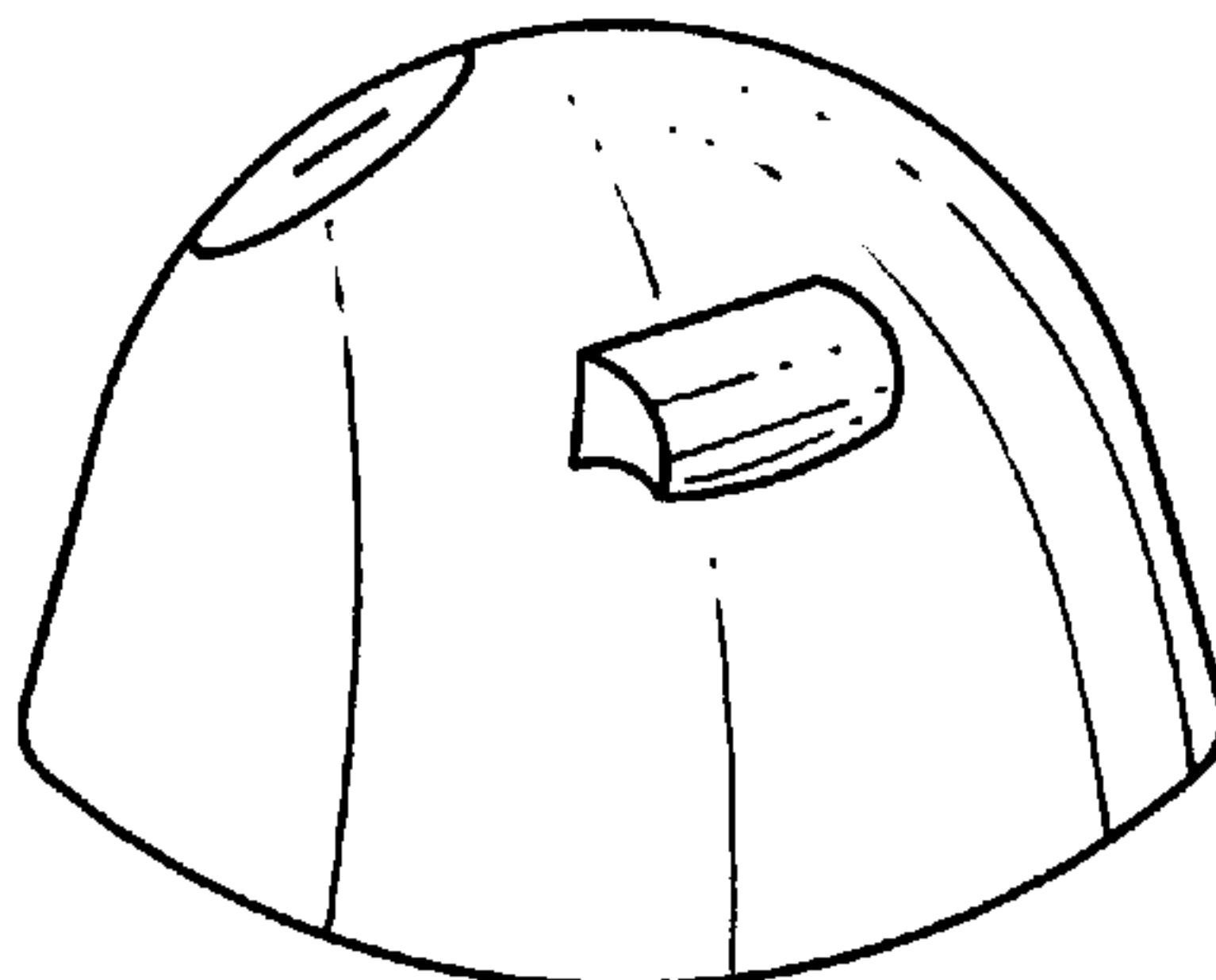
FIG. 3 is a front perspective view of a third embodiment of a counterfeit detection viewer for paper currency, the rear is a mirror image and the end is unornamented; and

FIG. 4 is a front perspective view of a fourth embodiment of a counterfeit detection viewer for paper currency, the opposite side is a mirror image;

FIG. 5 is a bottom view of FIGS. 1 and 4; and,

FIG. 6 is a bottom view of FIGS. 2 and 3.

**1 Claim, 2 Drawing Sheets**



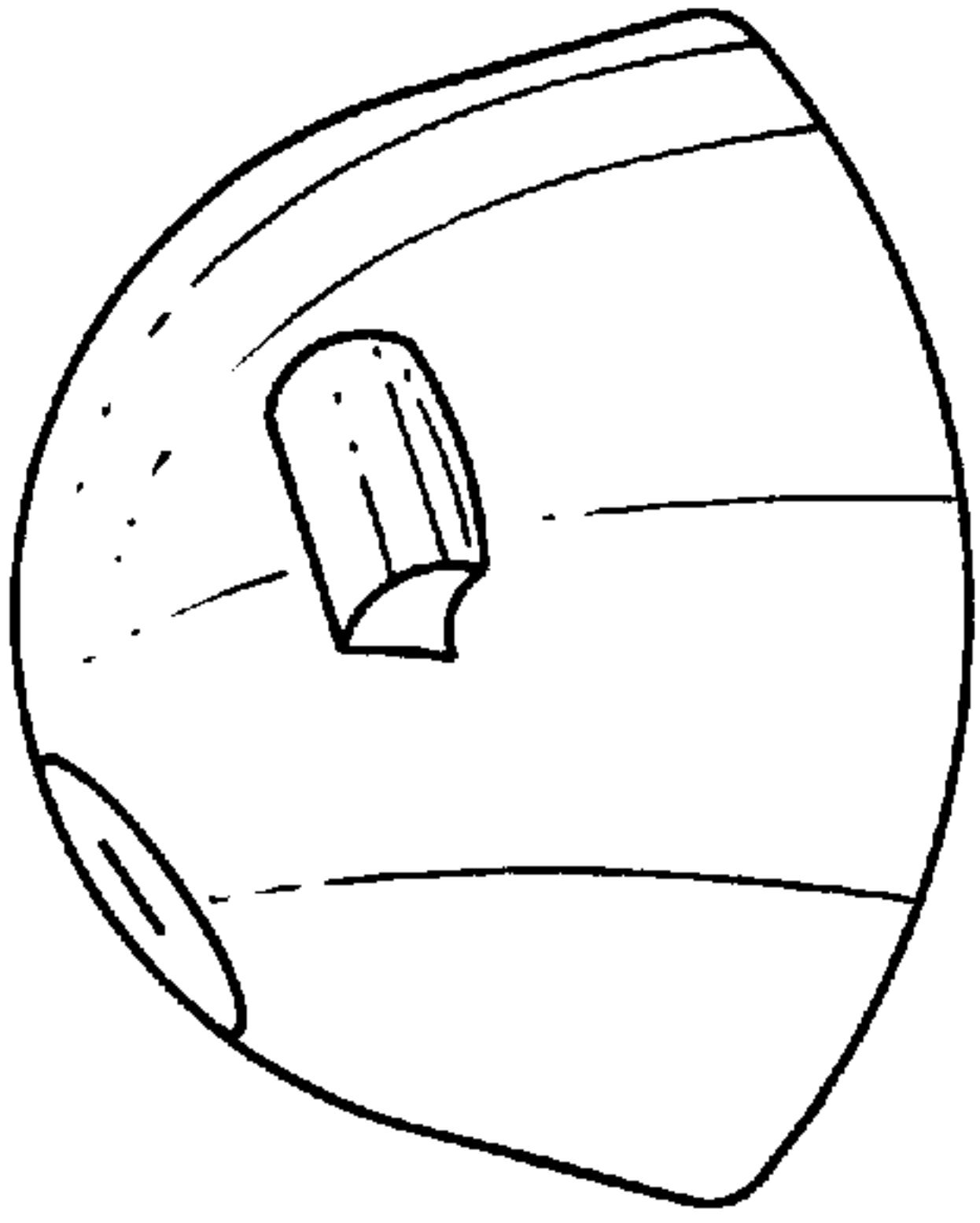


FIG. 1

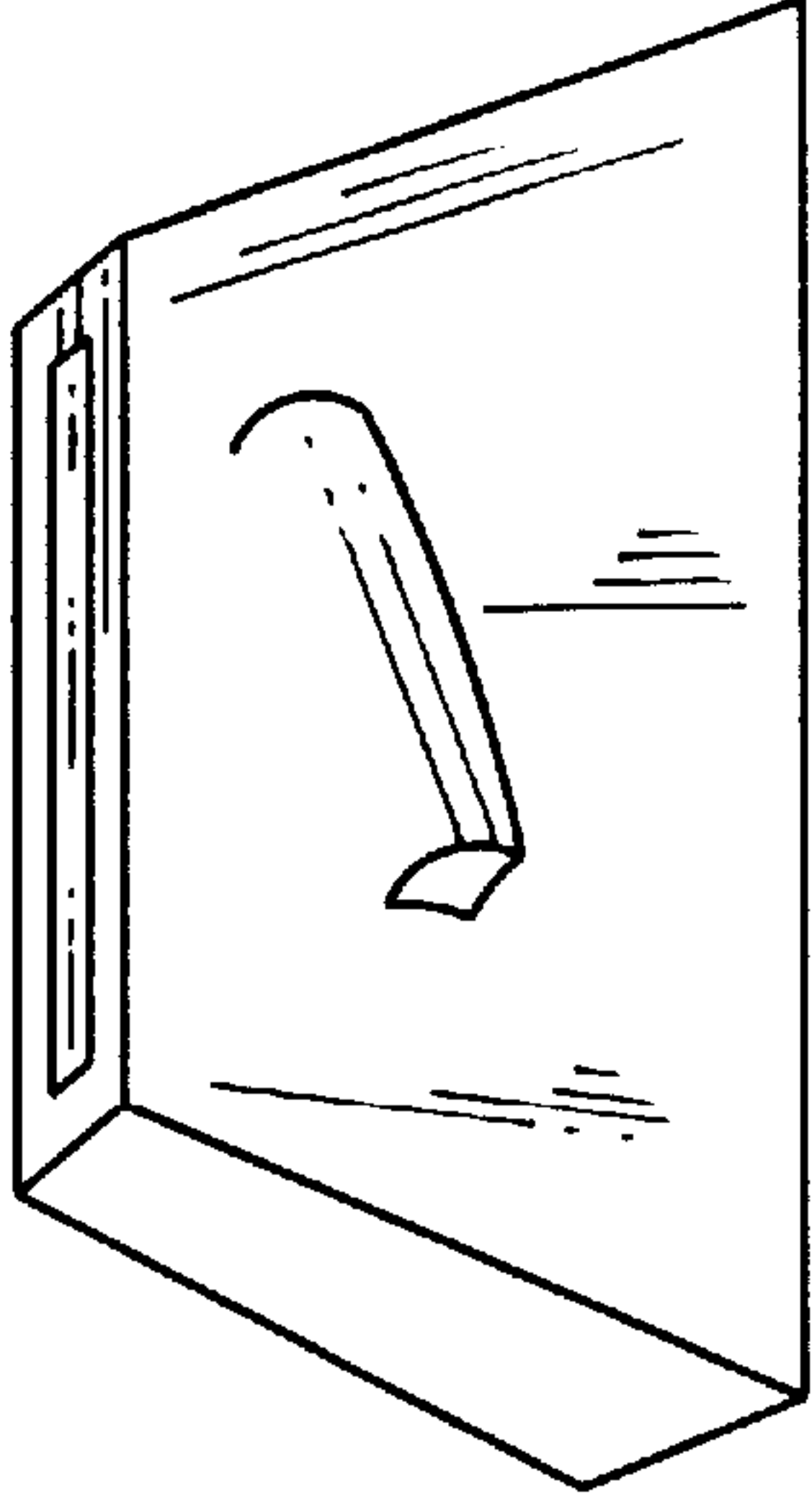


FIG. 2

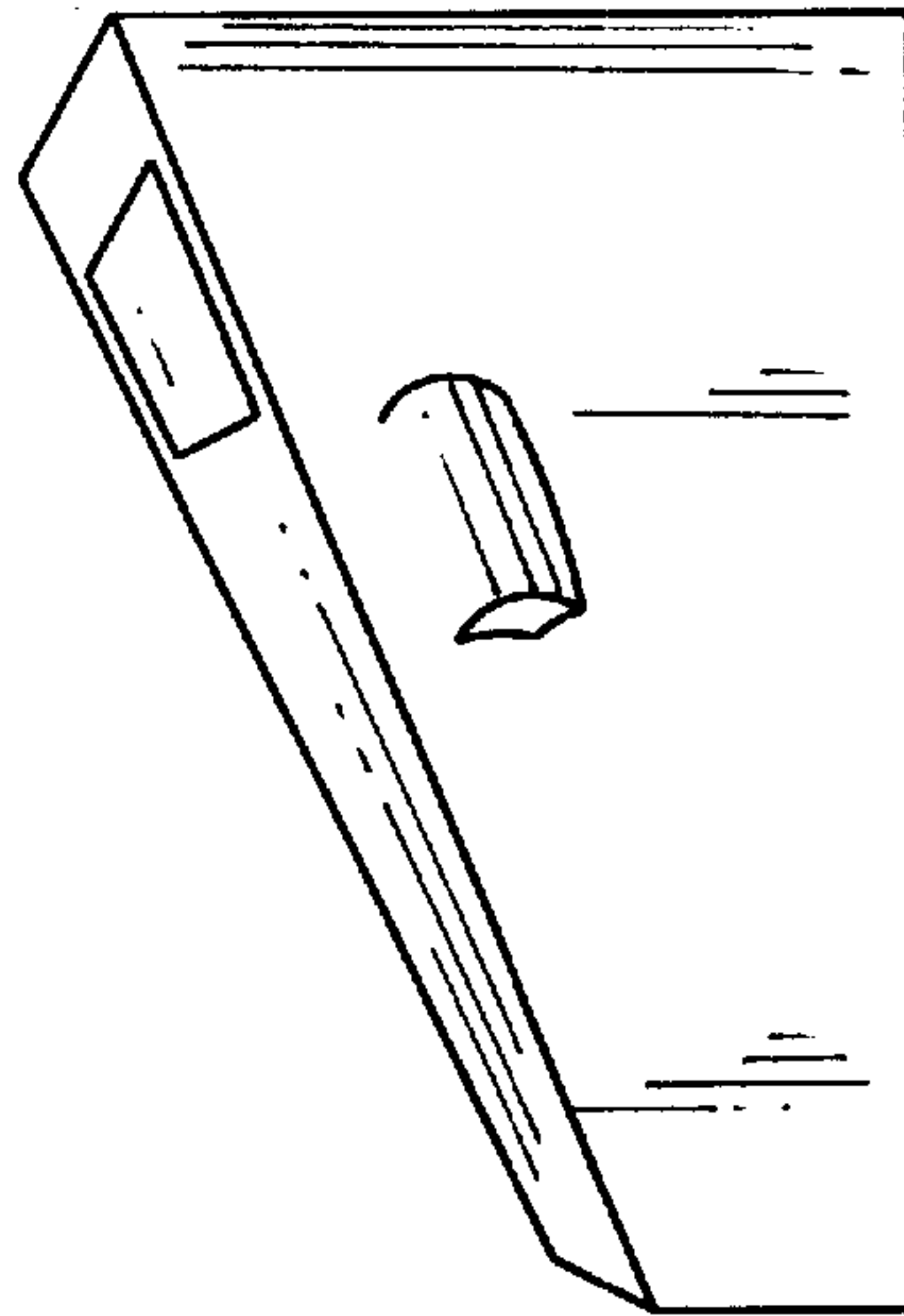


FIG. 3

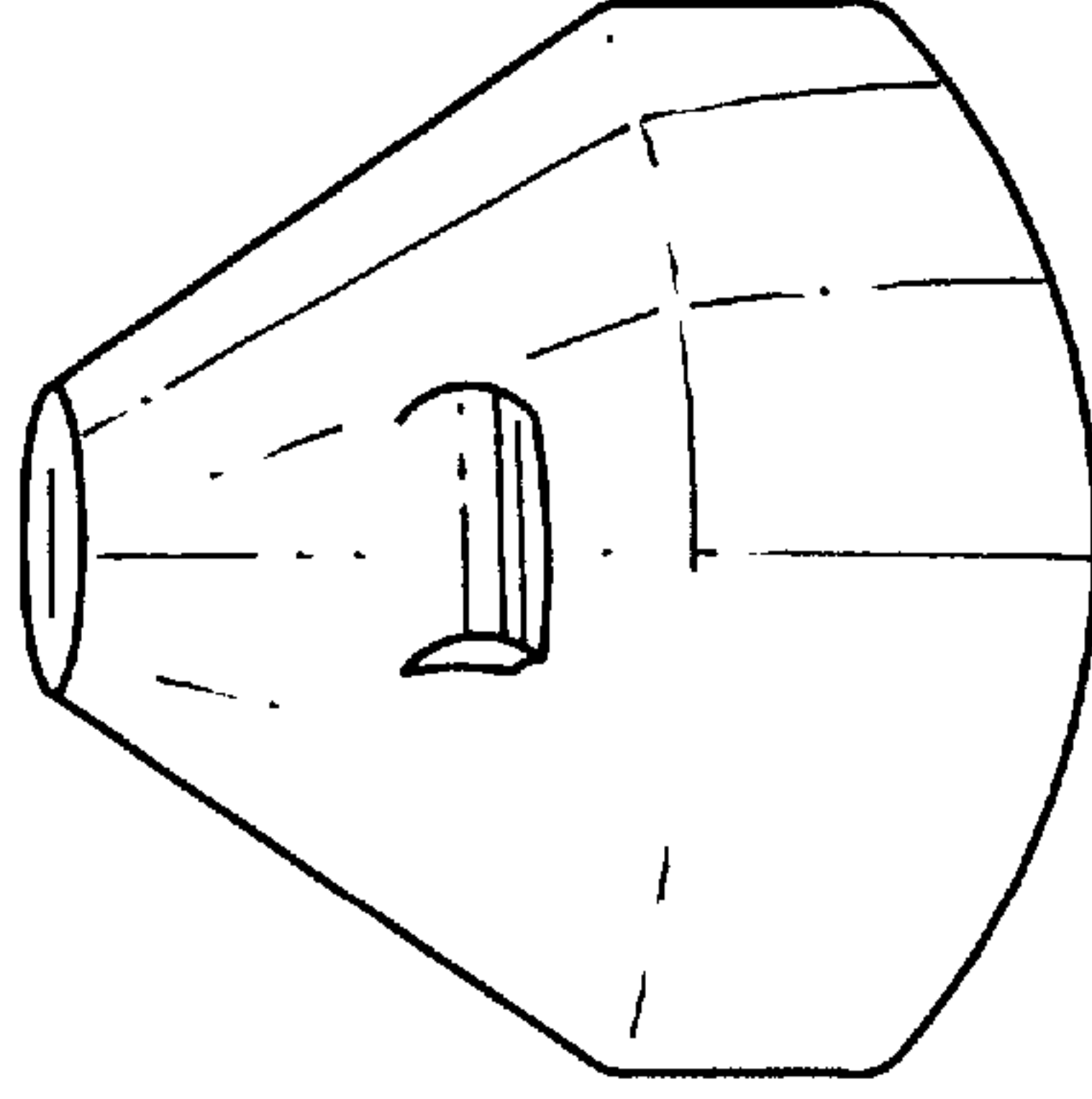
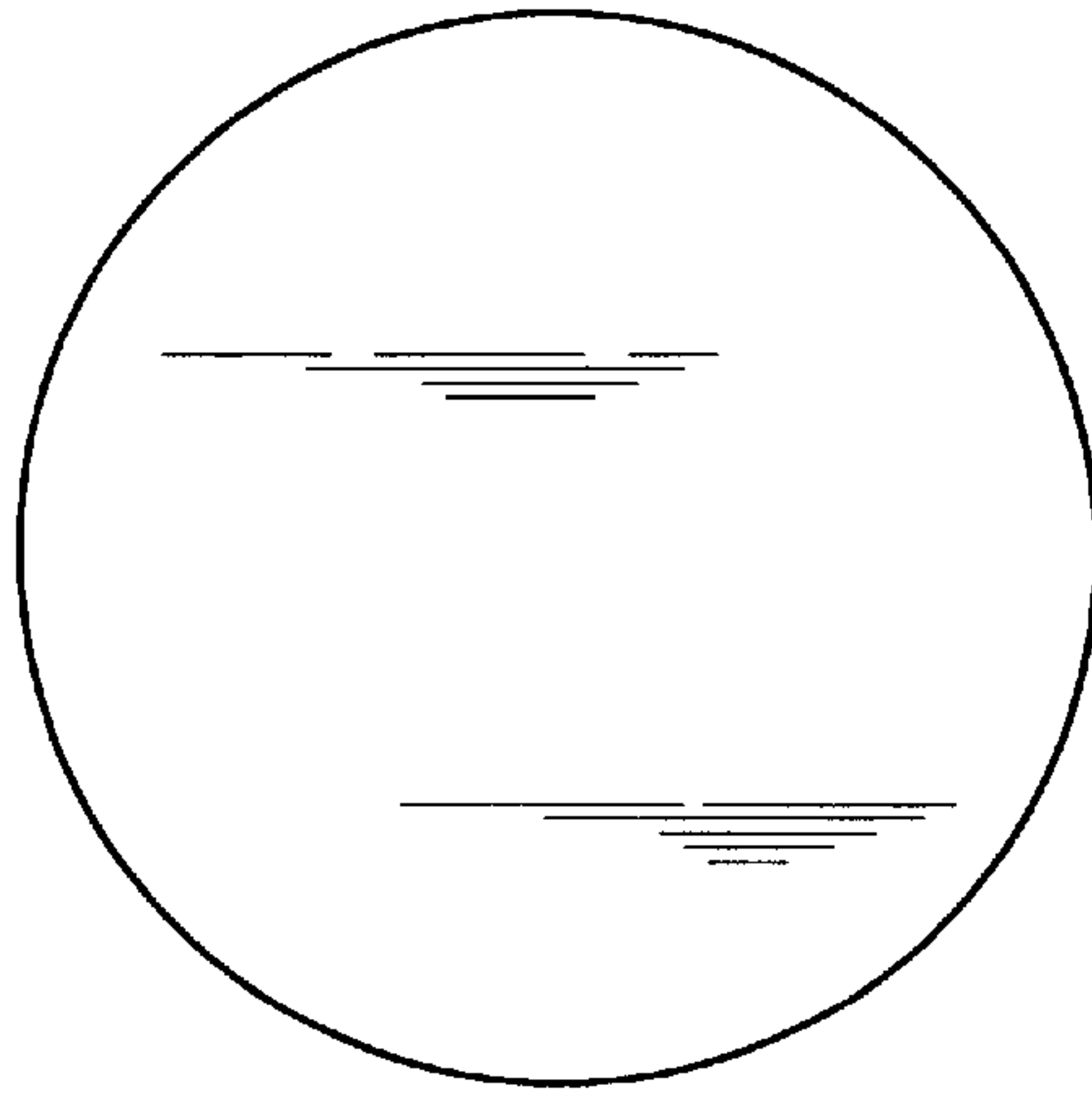
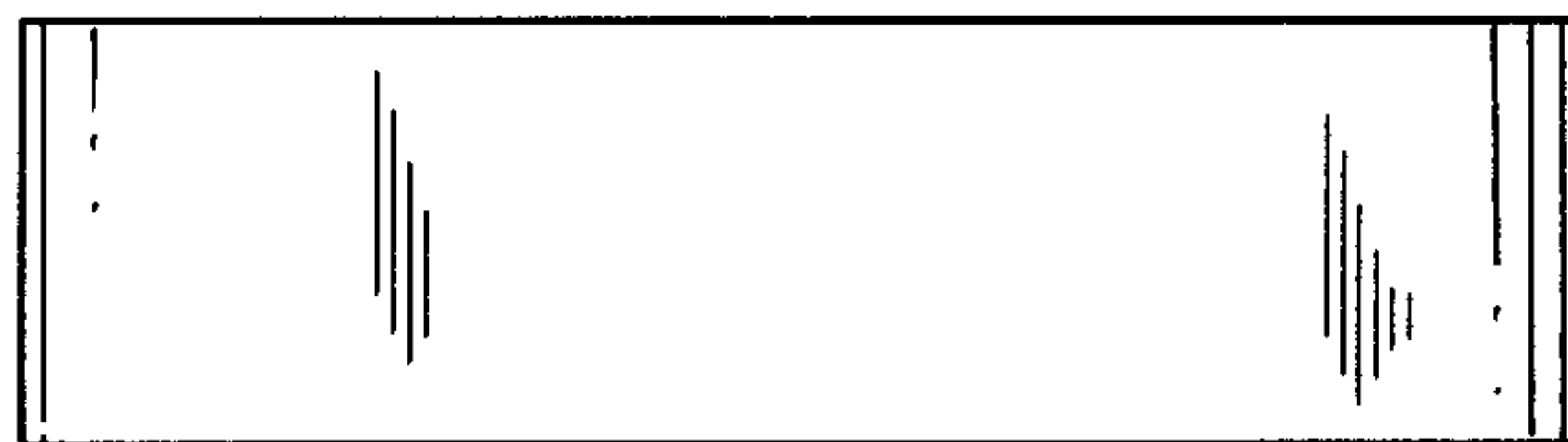


FIG. 4



*FIG. 5*



*FIG. 6*