



US00D403004S

United States Patent [19] Kaye

[11] **Patent Number: Des. 403,004**

[45] **Date of Patent: **Dec. 22, 1998**

[54] **TRANSMISSION HOUSING**

[76] Inventor: **Kenneth B. Kaye**, 10277 S. Appaloosa Ave., Floral City, Fla. 34436

[**] Term: **14 Years**

[21] Appl. No.: **71,176**

[22] Filed: **May 22, 1997**

[51] **LOC (6) Cl. 15-09**

[52] **U.S. Cl. D15/149**

[58] **Field of Search D15/148, 149; 74/606, 606 A, 609**

[56] **References Cited**

U.S. PATENT DOCUMENTS

D. 324,866	3/1992	Pleet et al.	D15/149 X
D. 350,358	9/1994	Kaye .	
4,787,271	11/1988	Brogden .	
4,901,590	2/1990	Inui et al. .	
5,024,122	6/1991	Parzl et al. .	
5,343,774	9/1994	Jang .	
5,404,772	4/1995	Jester .	

Primary Examiner—Antoine Duval Davis
Attorney, Agent, or Firm—Stein, Schifino & Van Der Wall

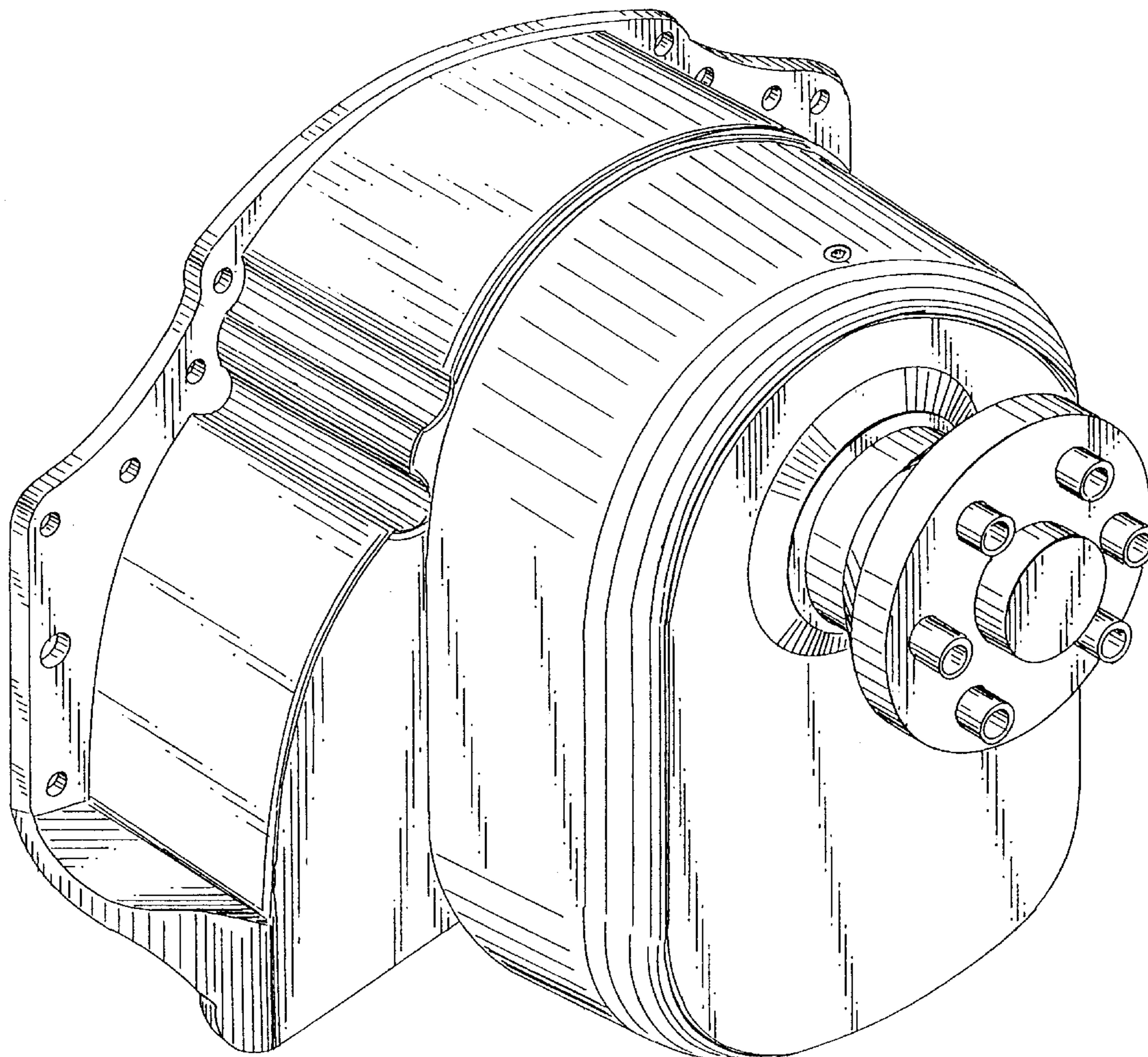
[57] **CLAIM**

The ornamental design for a transmission housing, as shown and described.

DESCRIPTION

FIG. 1 is a front, left perspective view of my new design for a transmission housing a bell housing;
FIG. 2 is a front elevational view of my transmission housing having a bell housing;
FIG. 3 is a right side elevational view of my transmission housing having a bell housing;
FIG. 4 is a left side elevational view of my transmission housing having a bell housing;
FIG. 5 is a rear elevational view of my transmission housing having a bell housing;
FIG. 6 is a top plan view of my transmission housing having a bell housing; and,
FIG. 7 is a bottom plan view of my transmission housing having a bell housing.

1 Claim, 4 Drawing Sheets



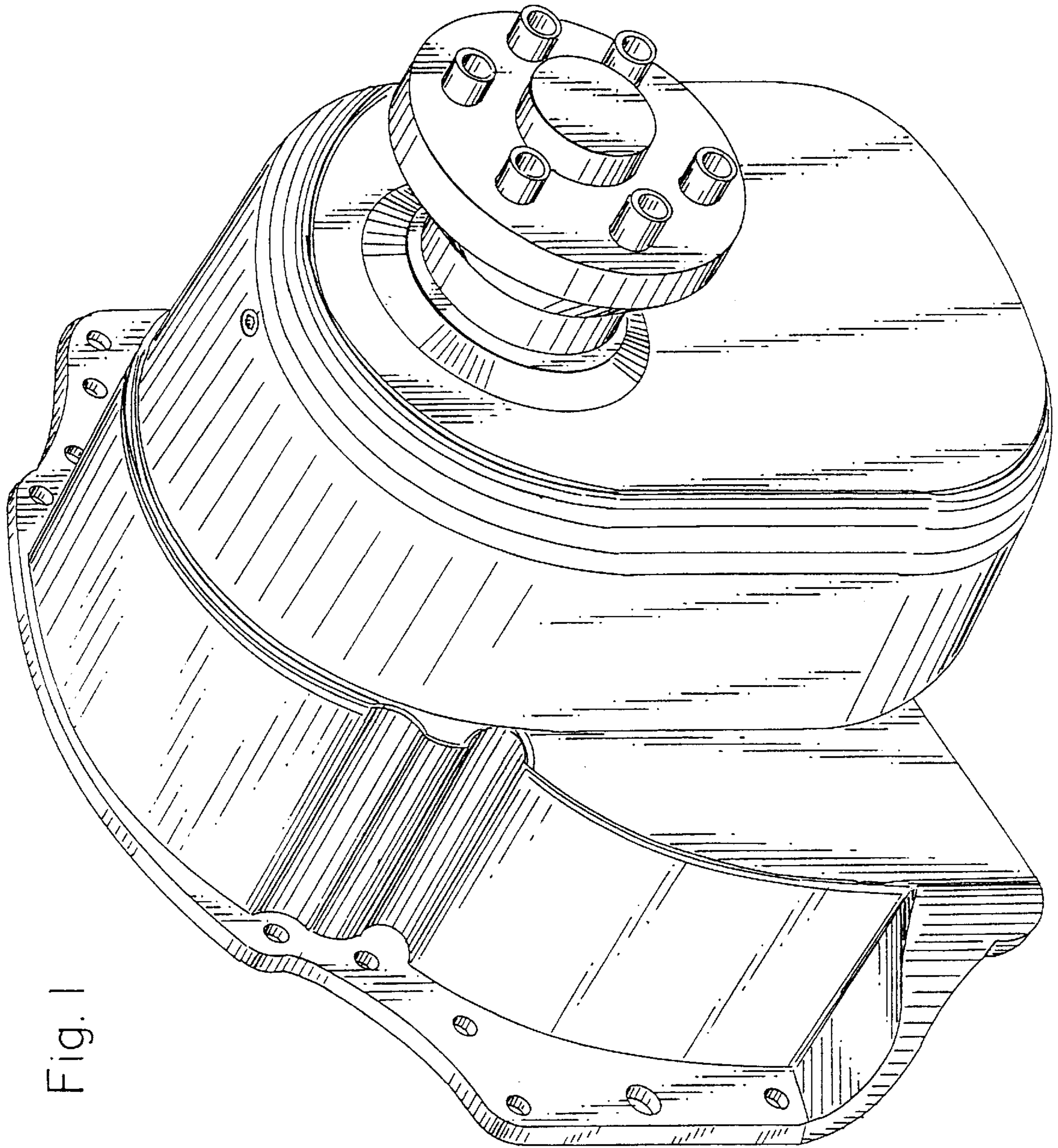


Fig. 1

Fig. 3

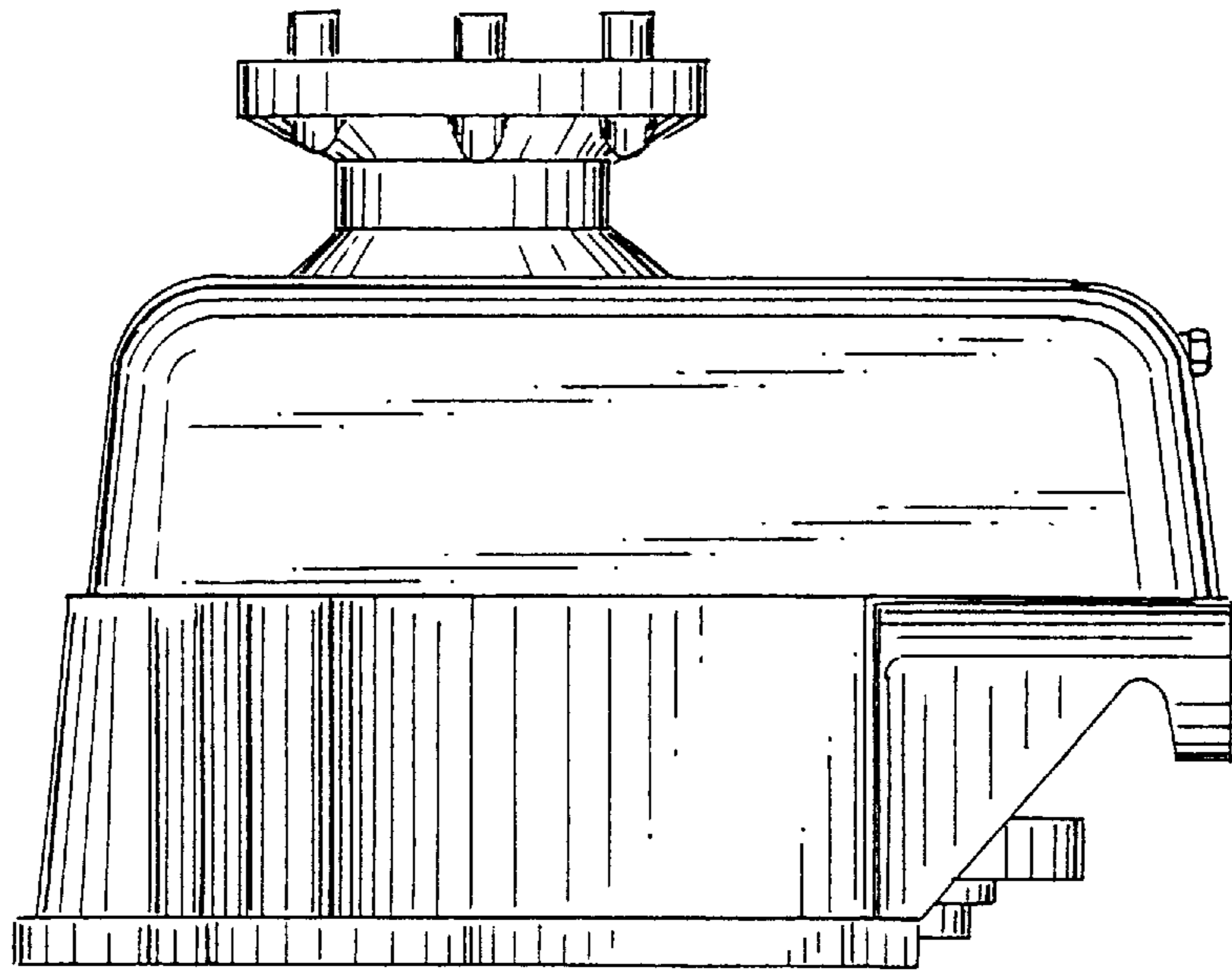


Fig. 2

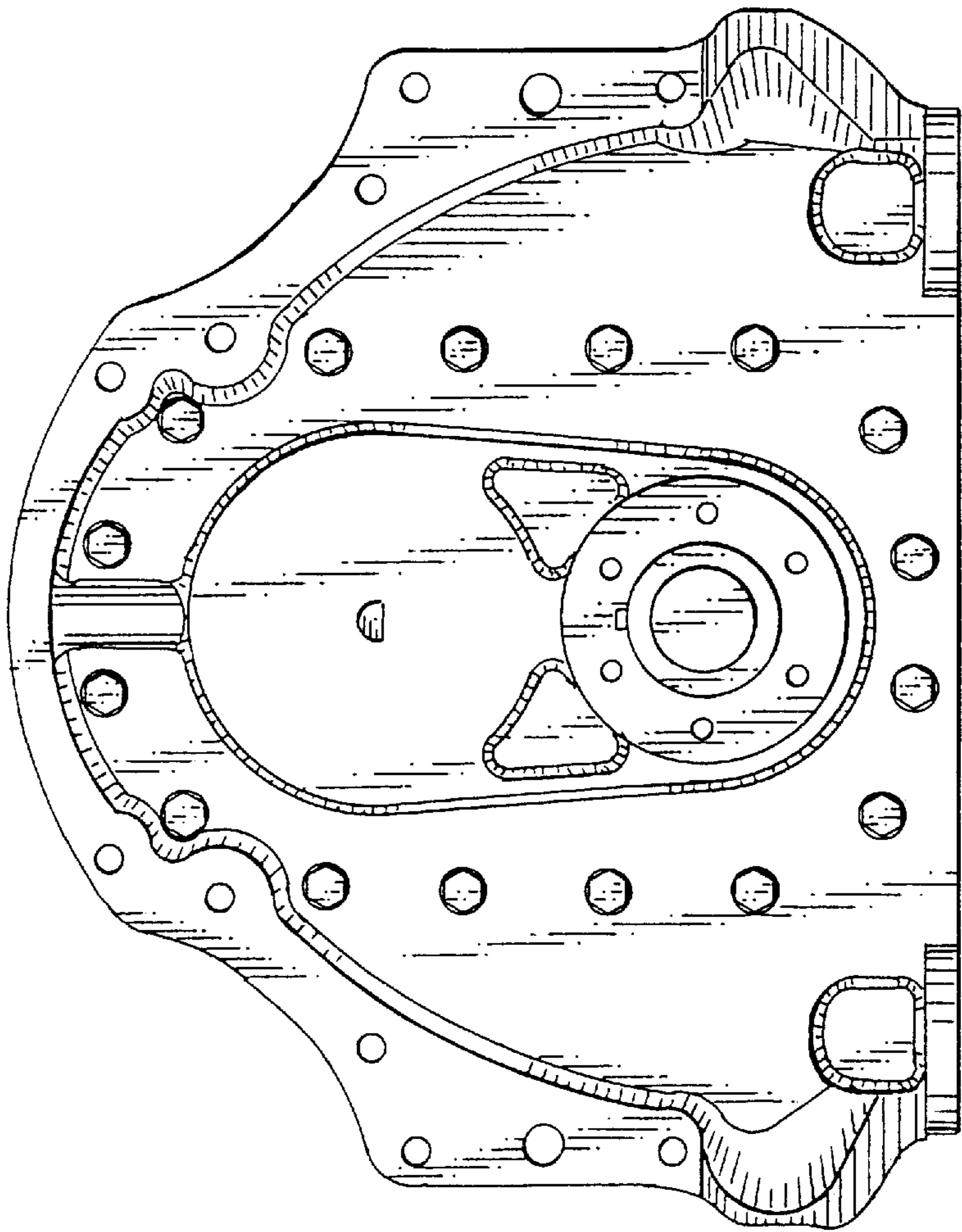


Fig. 5

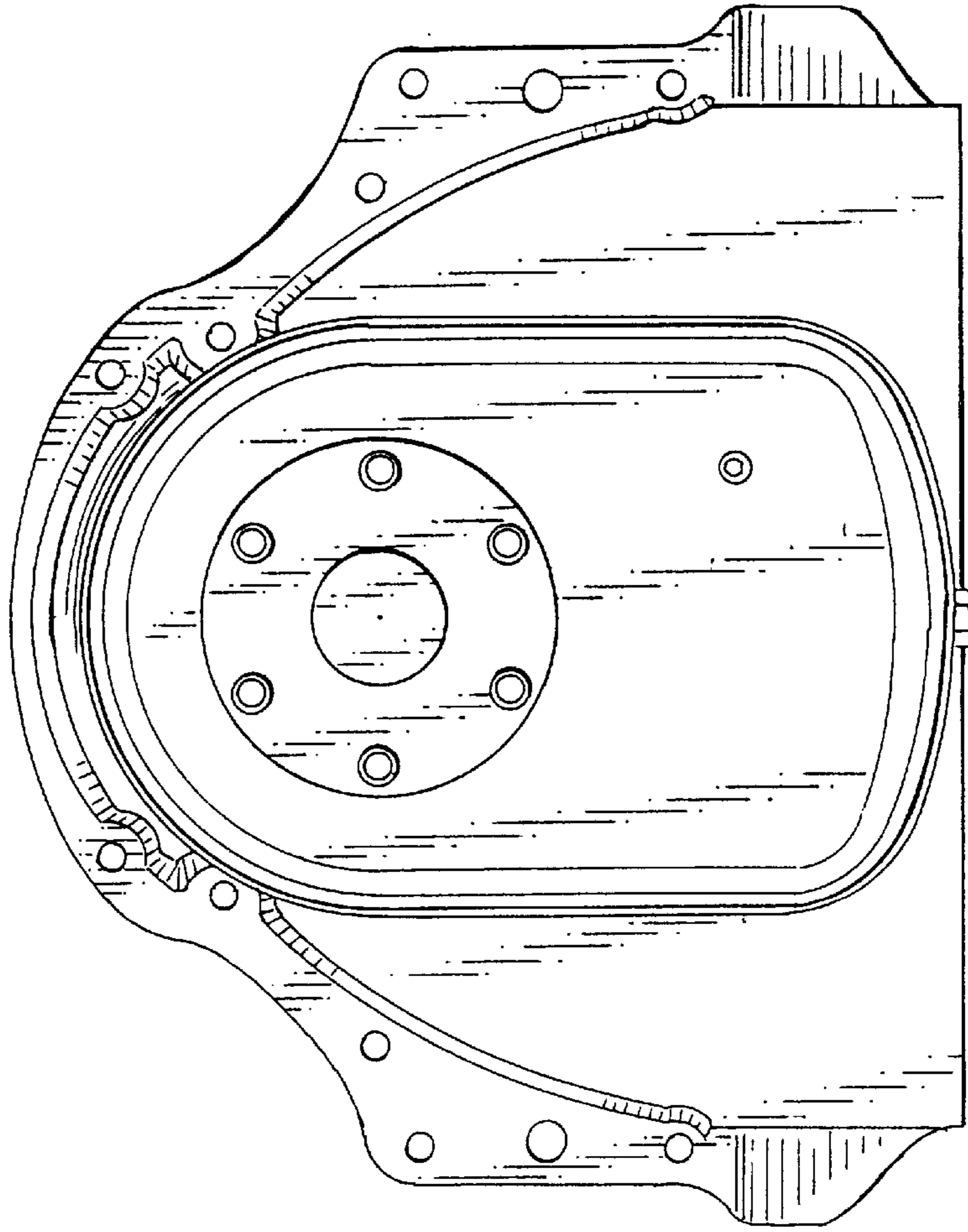


Fig. 4

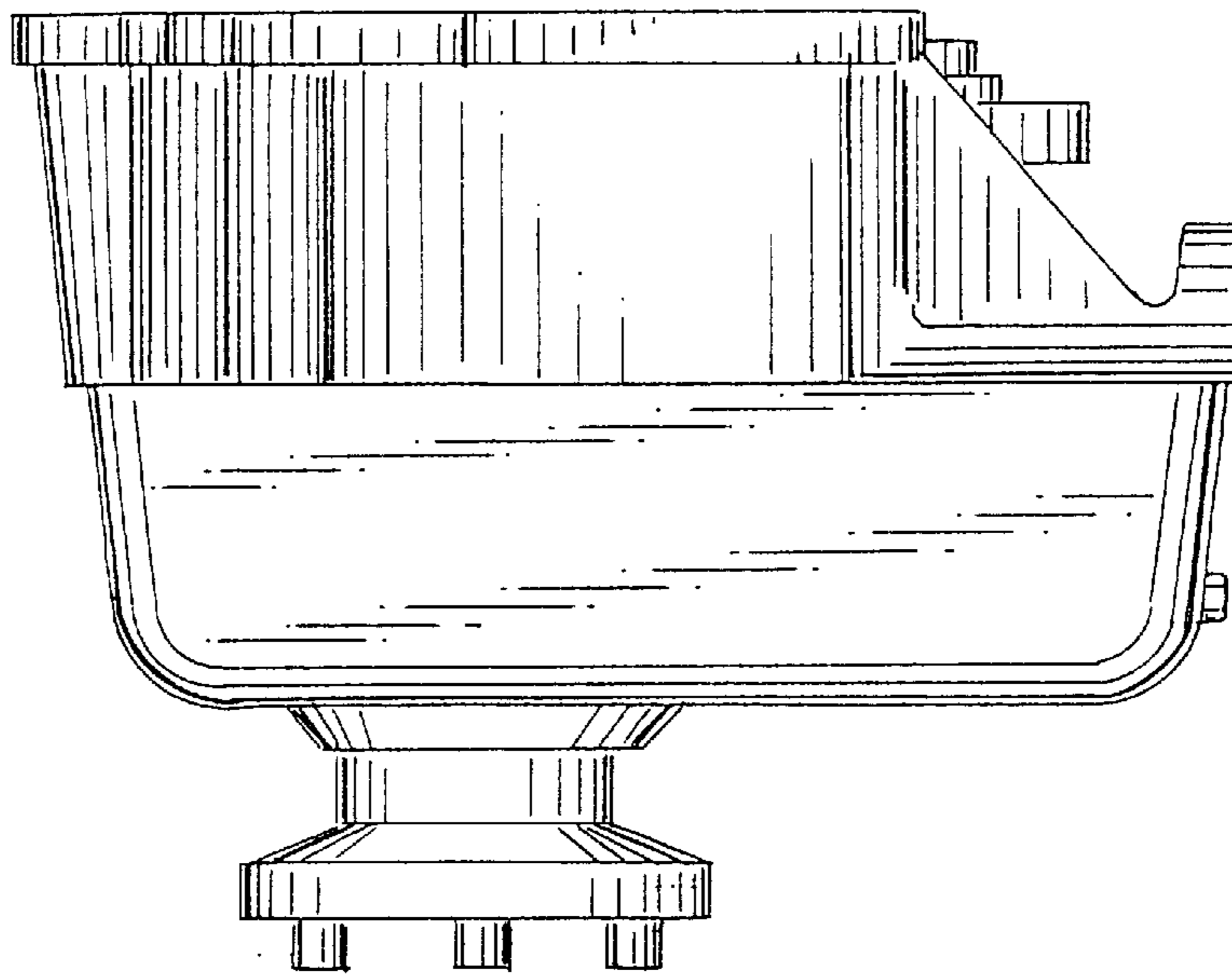


Fig. 6

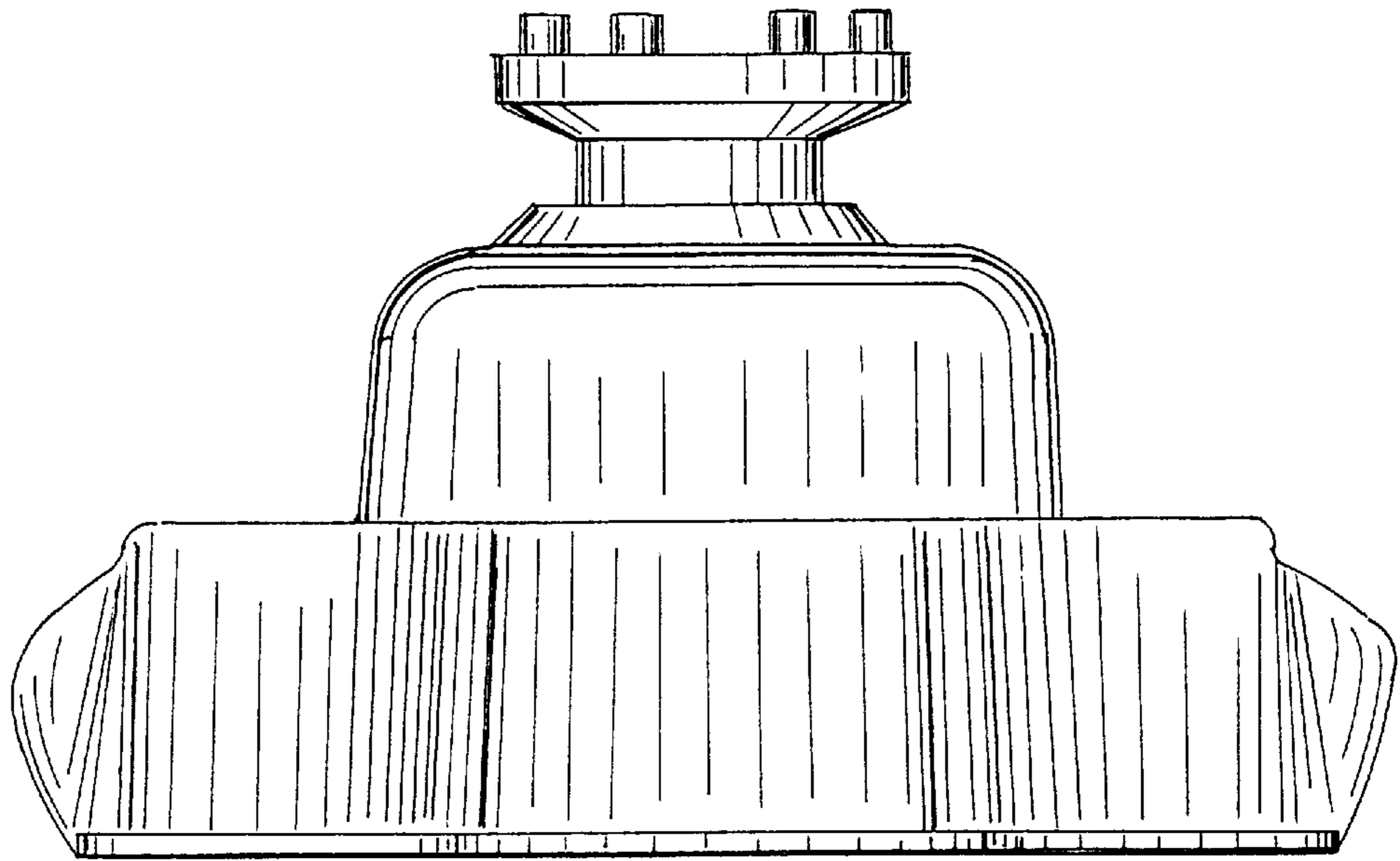


Fig. 7

