



US00D402998S

# United States Patent [19]

Allen

[11] Patent Number: **Des. 402,998**

[45] Date of Patent: **\*\*Dec. 22, 1998**

[54] **VENTILATED QUICK ACCESS INSPECTION PLATE FOR RIDING TROWELS**

[75] Inventor: **J. Dewayne Allen, Paragould, Ark.**

[73] Assignee: **Allen Engineering Corp., Paragould, Ark.**

[\*\*] Term: **14 Years**

[21] Appl. No.: **80,691**

[22] Filed: **Dec. 12, 1997**

[51] **LOC (6) Cl.** ..... **15-04**

[52] **U.S. Cl.** ..... **D15/28**

[58] **Field of Search** ..... D12/193; D6/553, D6/567; D15/10, 28; D19/20; D20/43; 40/201, 202, 204, 207; 404/85, 112

[56] **References Cited**

**U.S. PATENT DOCUMENTS**

D. 246,814	1/1978	Peggs	.....	D20/43
D. 291,683	9/1987	Yates	.....	D12/193
D. 323,510	1/1992	Allen et al.	.....	D15/10
D. 342,180	12/1993	Kirlin	.....	D6/567
D. 344,736	3/1994	Allen et al.	.....	D15/10
1,719,540	7/1929	Franks	.....	40/209
3,936,212	2/1976	Holtz, Sr. et al.	.....	404/112

4,046,484	9/1977	Holtz, Sr. et al.	.....	404/112
4,312,603	1/1982	Whiteman, Jr.	.....	404/112
4,556,339	12/1985	Morrison	.....	404/112
4,676,691	6/1987	Morrison	.....	404/112
4,710,055	12/1987	Masses et al.	.....	404/112
5,108,220	4/1992	Allen et al.	.....	404/112
5,480,257	1/1996	Allen	.....	404/112
5,480,258	1/1996	Allen	.....	404/112
5,613,801	3/1997	Allen	.....	404/112
5,685,667	11/1997	Allen	.....	404/112

*Primary Examiner*—Sandra L. Morris  
*Attorney, Agent, or Firm*—Stephen D. Carver

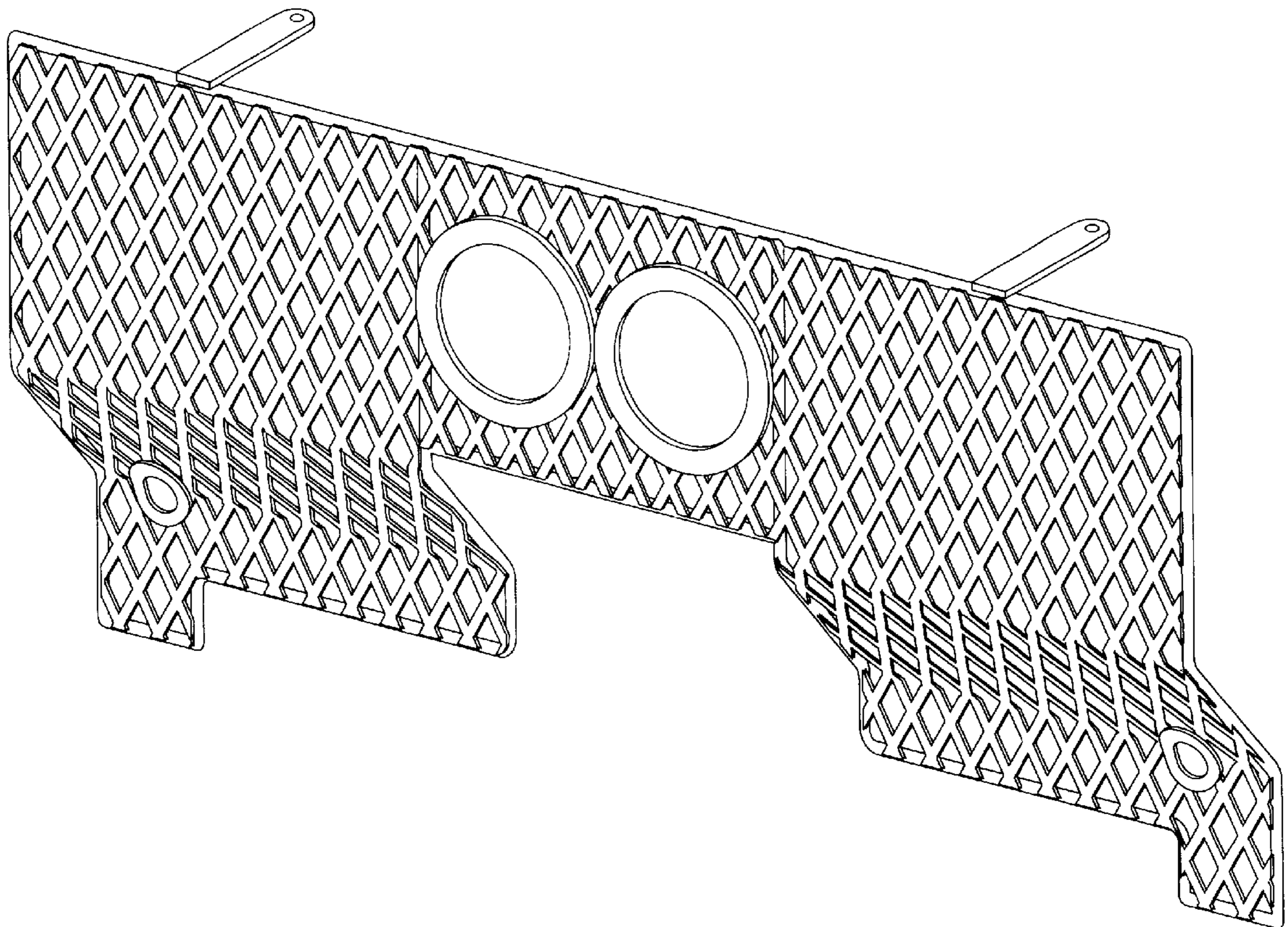
[57] **CLAIM**

The ornamental design for a ventilated, quick access inspection plate for riding trowels, as shown.

**DESCRIPTION**

FIG. 1 is a front isometric view of my ventilated, quick access inspection plate for riding trowels; FIG. 2 is a rear isometric view thereof; FIG. 3 is a front elevational view thereof; FIG. 4 is a side elevational view taken from the right of FIG. 3; FIG. 5 is a top plan view thereof; FIG. 6 is a bottom plan view thereof; and, FIG. 7 is a rear elevational view thereof.

**1 Claim, 2 Drawing Sheets**





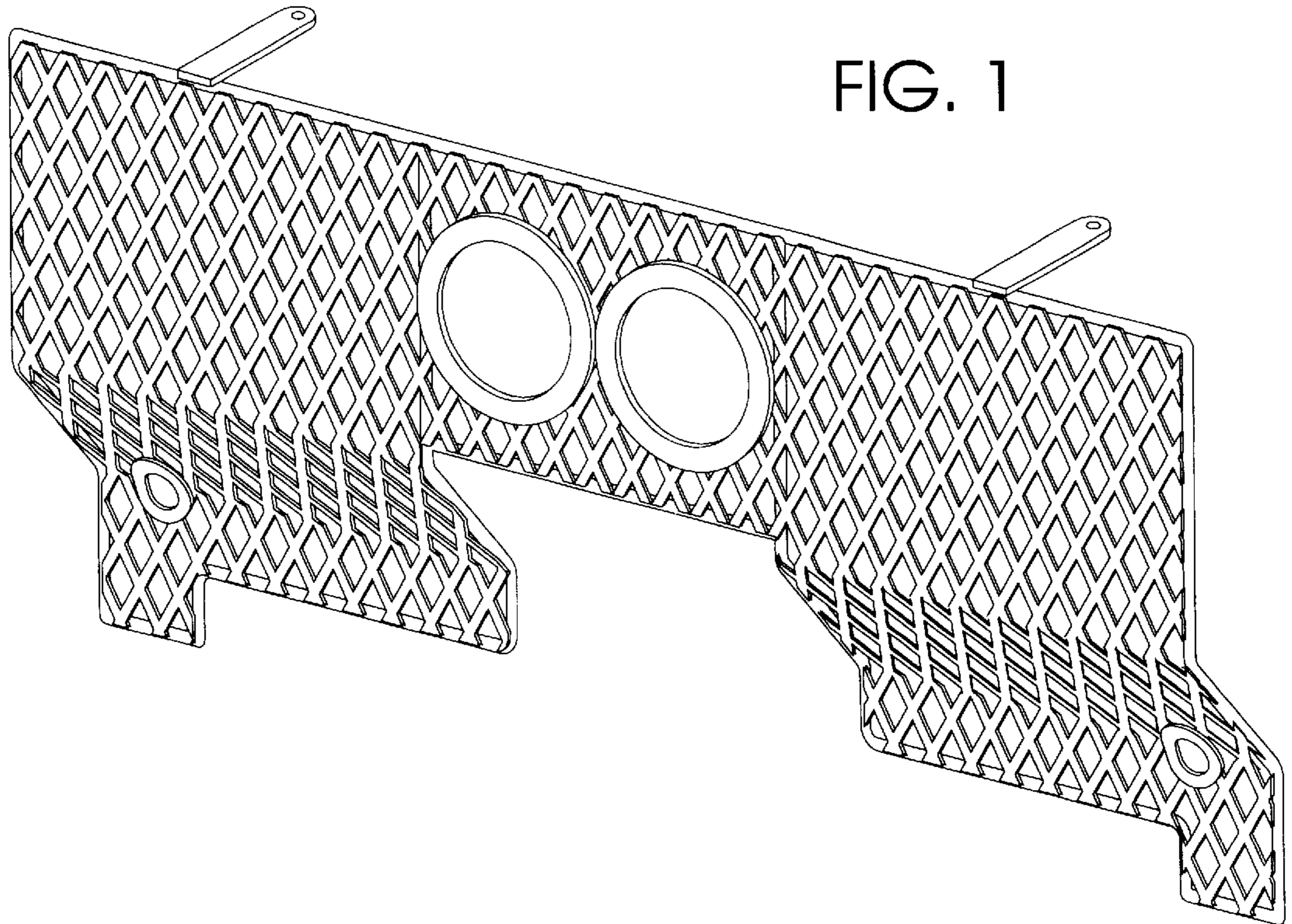


FIG. 1

FIG. 2

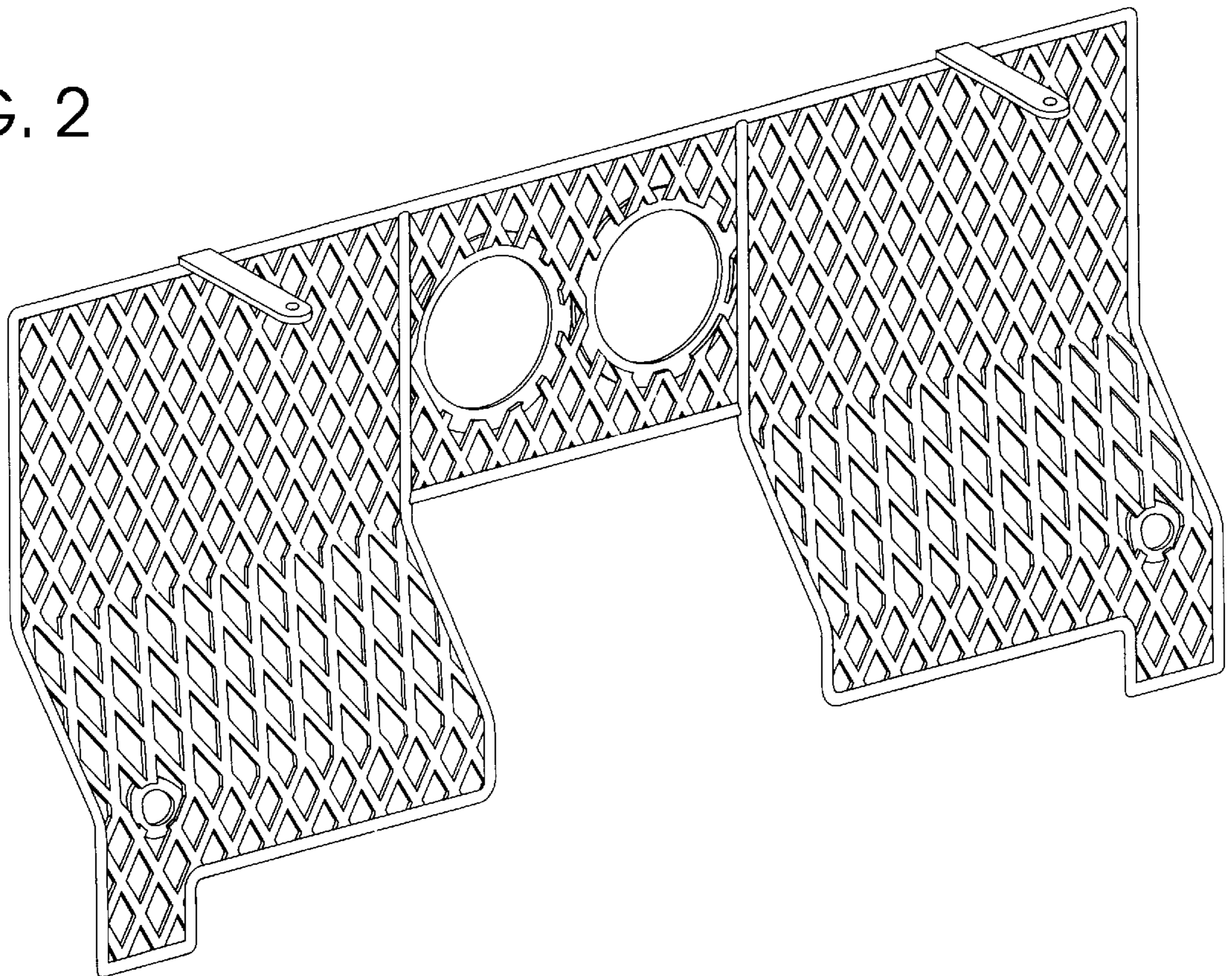




FIG. 3

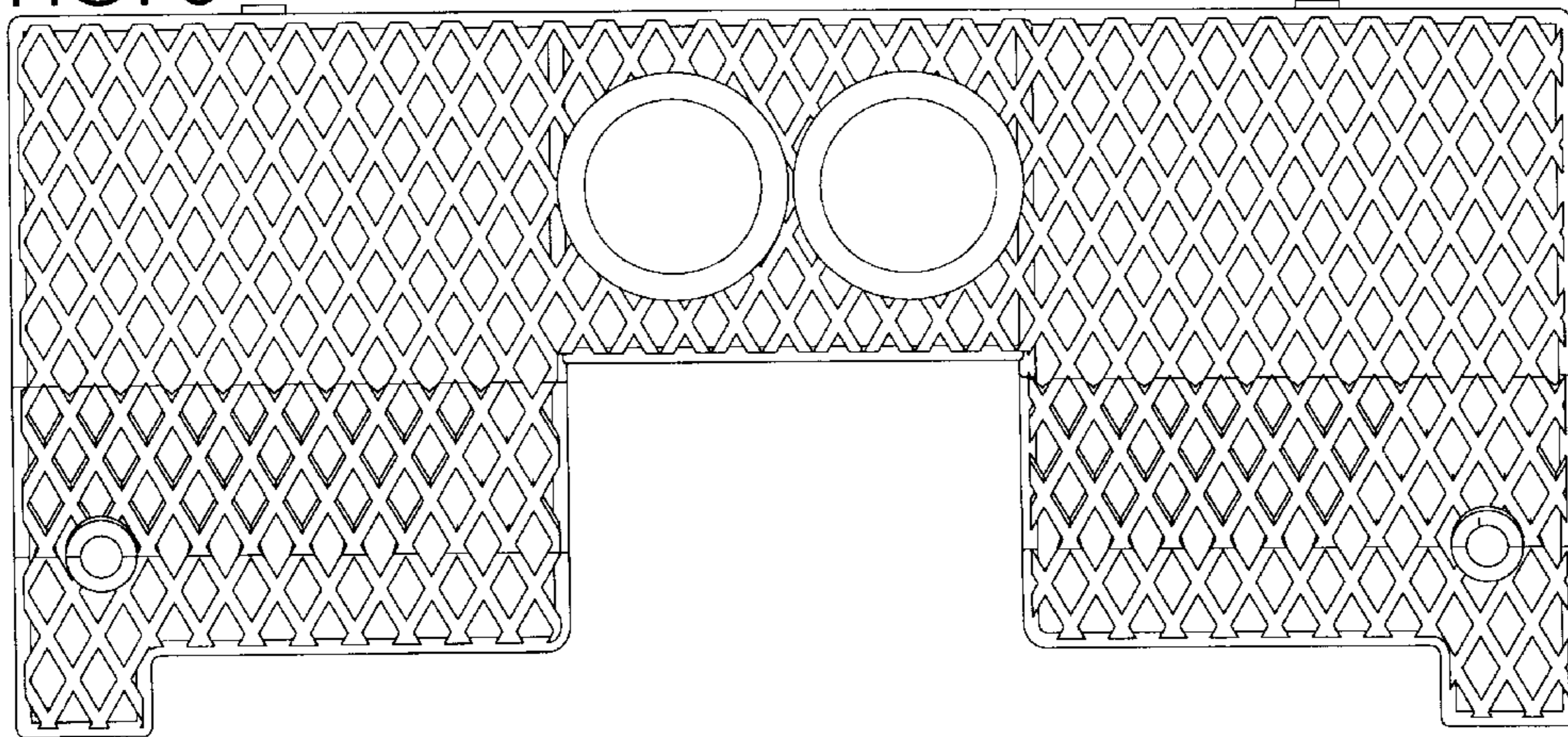


FIG. 4

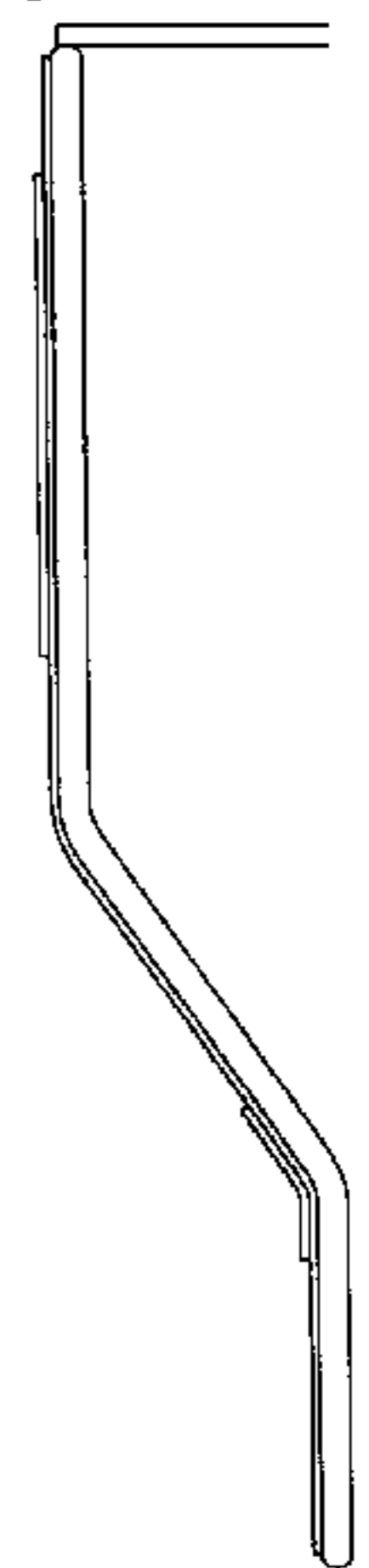


FIG. 5



FIG. 6



FIG. 7

