



US00D402997S

United States Patent [19]

Campbell et al.

[11] Patent Number: **Des. 402,997**

[45] Date of Patent: ****Dec. 22, 1998**

[54] **POWERED AIR INFLATOR**

[75] Inventors: **John B. Campbell**, Harrison; **Kurt W. Kamka**, Loveland; **Randy A. Smith**, Harrison, all of Ohio

[73] Assignee: **Campbell Hausfeld/ Scott Fetzer Company**, Harrison, Ohio

[**] Term: **14 Years**

[21] Appl. No.: **74,896**

[22] Filed: **Aug. 5, 1997**

[51] **LOC (6) Cl.** **15-02**

[52] **U.S. Cl.** **D15/7; D10/86; D21/548**

[58] **Field of Search** **D15/7; D10/85, D10/86; D23/231, 232; D21/128, 136; 73/146.8; 137/227, 228**

[56] **References Cited**

U.S. PATENT DOCUMENTS

- D. 82,468 11/1930 Weisberg D10/86
- D. 278,244 4/1985 Boetger D15/7
- D. 330,203 10/1992 Yeh D21/136

- D. 352,252 11/1994 Huang D10/86
- D. 358,397 5/1995 Phillips et al. D15/7
- D. 390,433 2/1998 Miller D21/136
- 2,001,233 5/1935 Anderberg 137/228
- 4,998,438 3/1991 Martin 73/146.8
- 5,233,864 8/1993 Huang 73/146.8

Primary Examiner—Alan P. Douglas
Assistant Examiner—Robin V. Taylor
Attorney, Agent, or Firm—Jones, Day, Reavis & Pogue

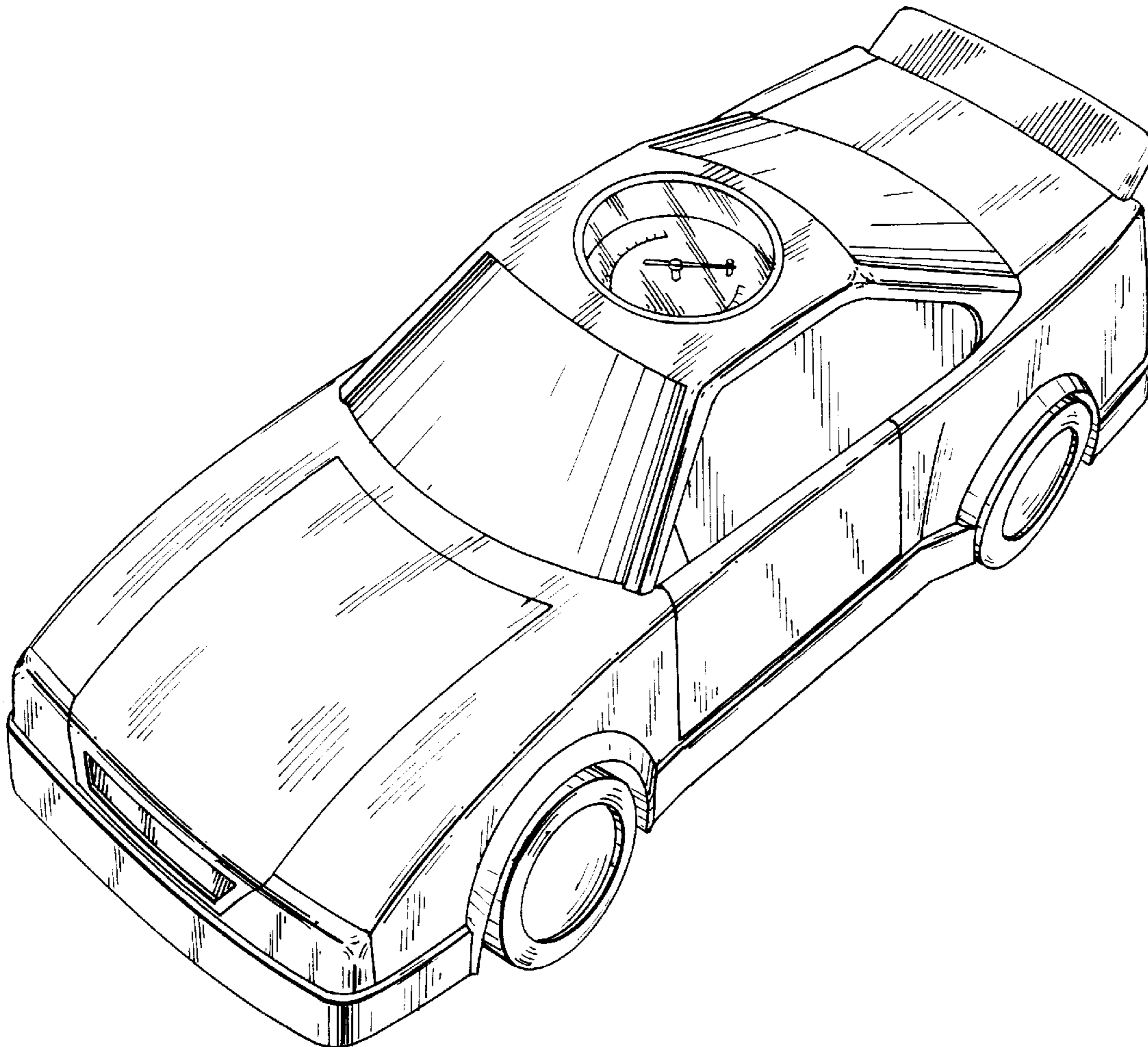
[57] **CLAIM**

The ornamental design for a powered air inflator, as shown and described.

DESCRIPTION

FIG. 1 is a perspective view of a powered air inflator showing our new design;
FIG. 2 is a top plan view thereof;
FIG. 3 is a side elevation view of the side thereof, the right side shown in FIG. 1 being a mirror image;
FIG. 4 is a front view thereof;
FIG. 5 is a rear view thereof; and,
FIG. 6 is a bottom view thereof.

1 Claim, 3 Drawing Sheets



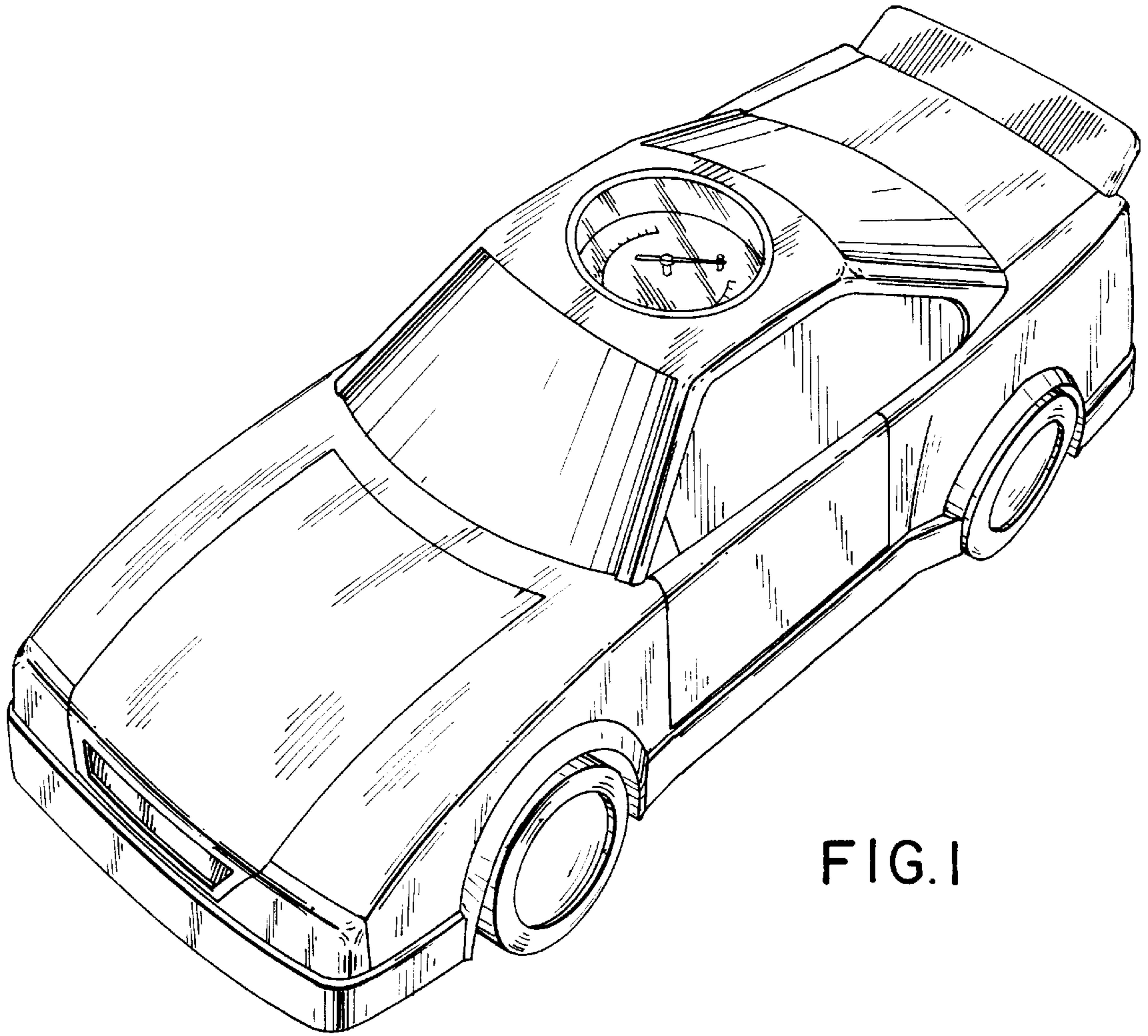


FIG. 1

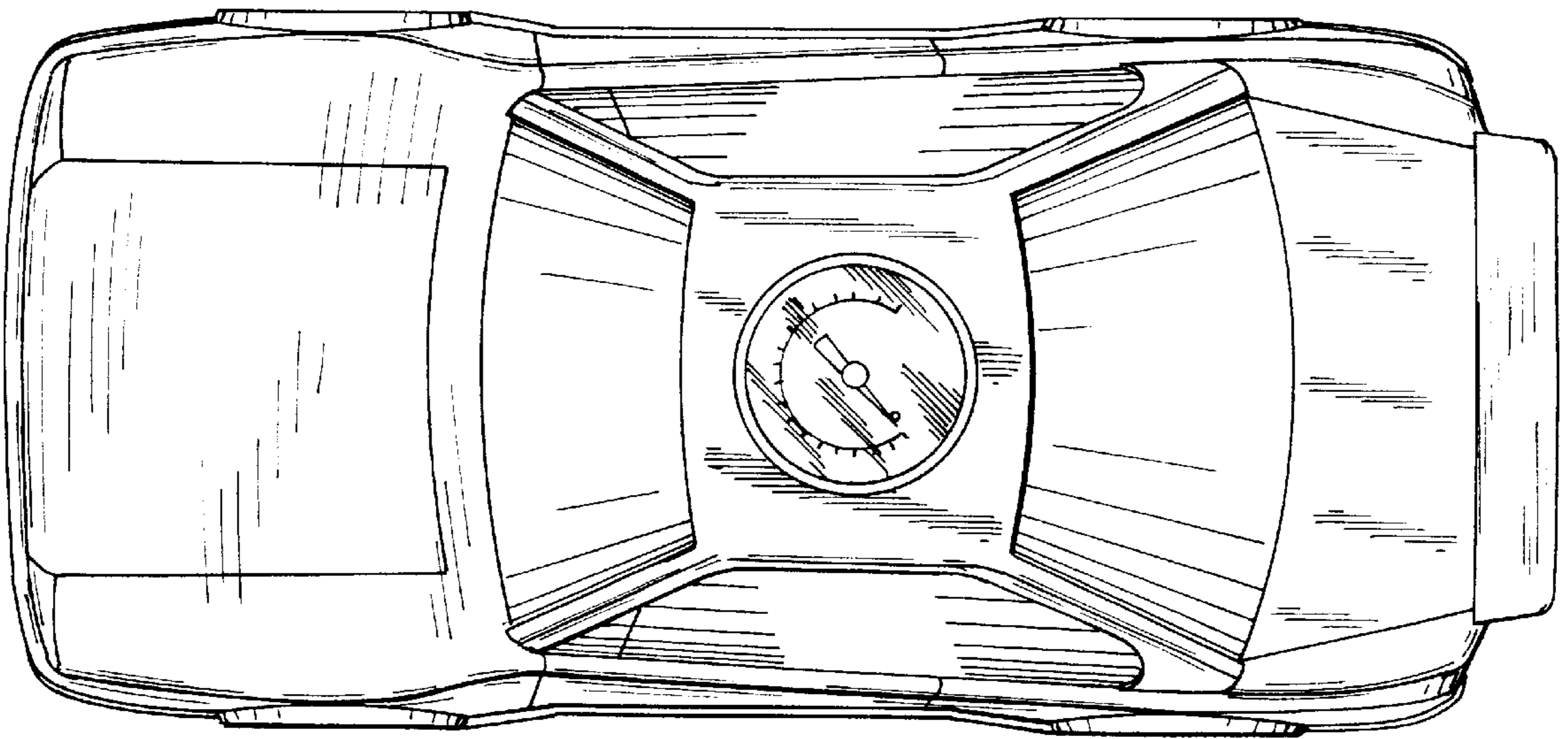


FIG. 2

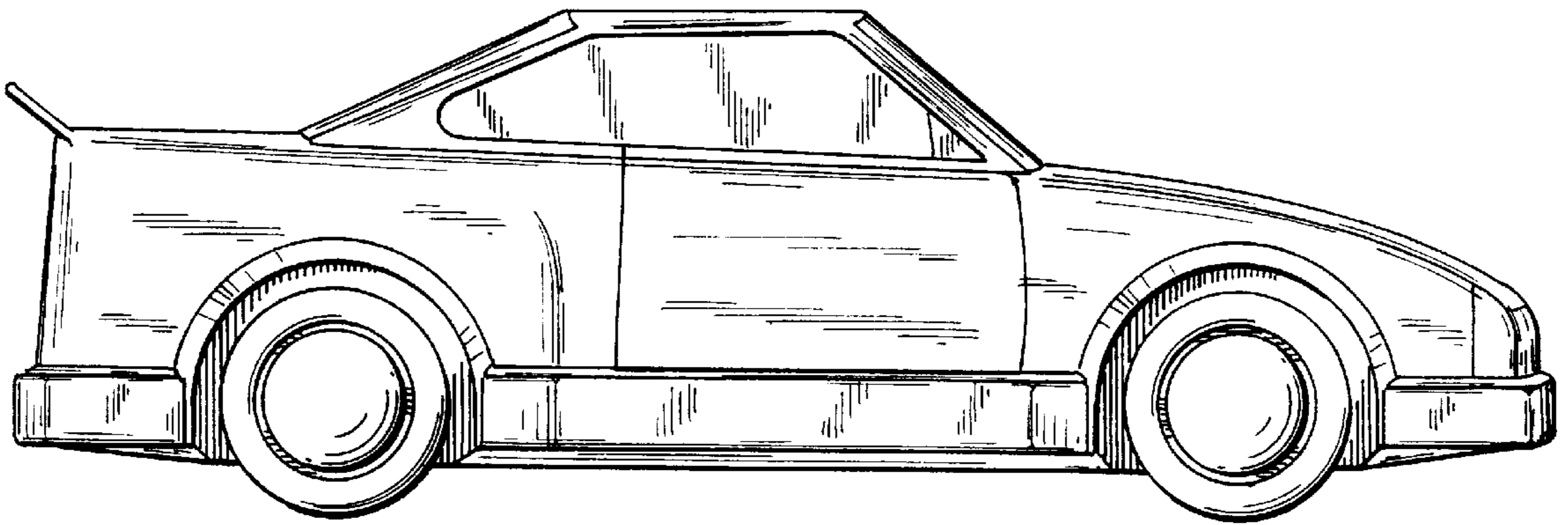


FIG. 3

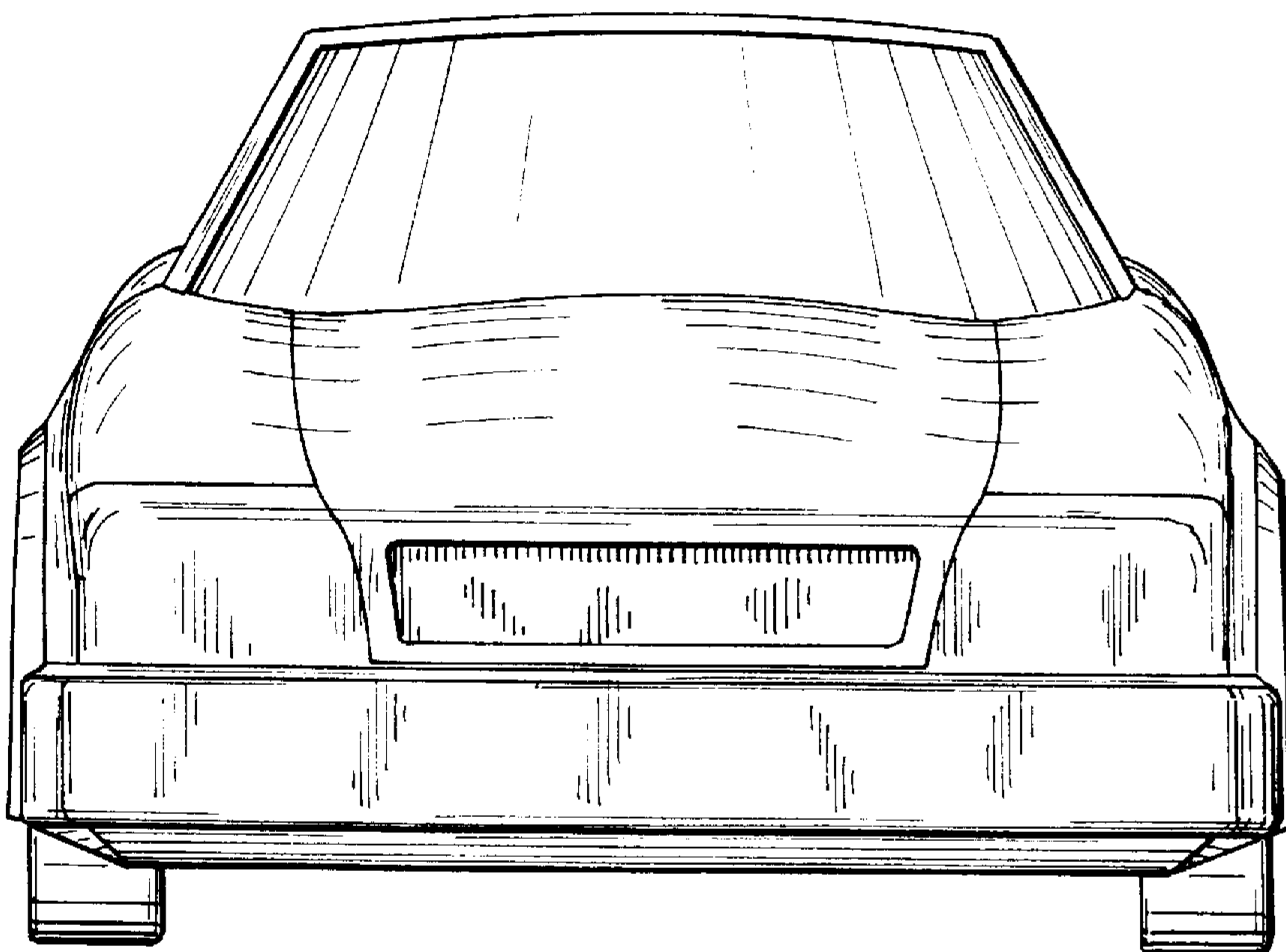


FIG. 4

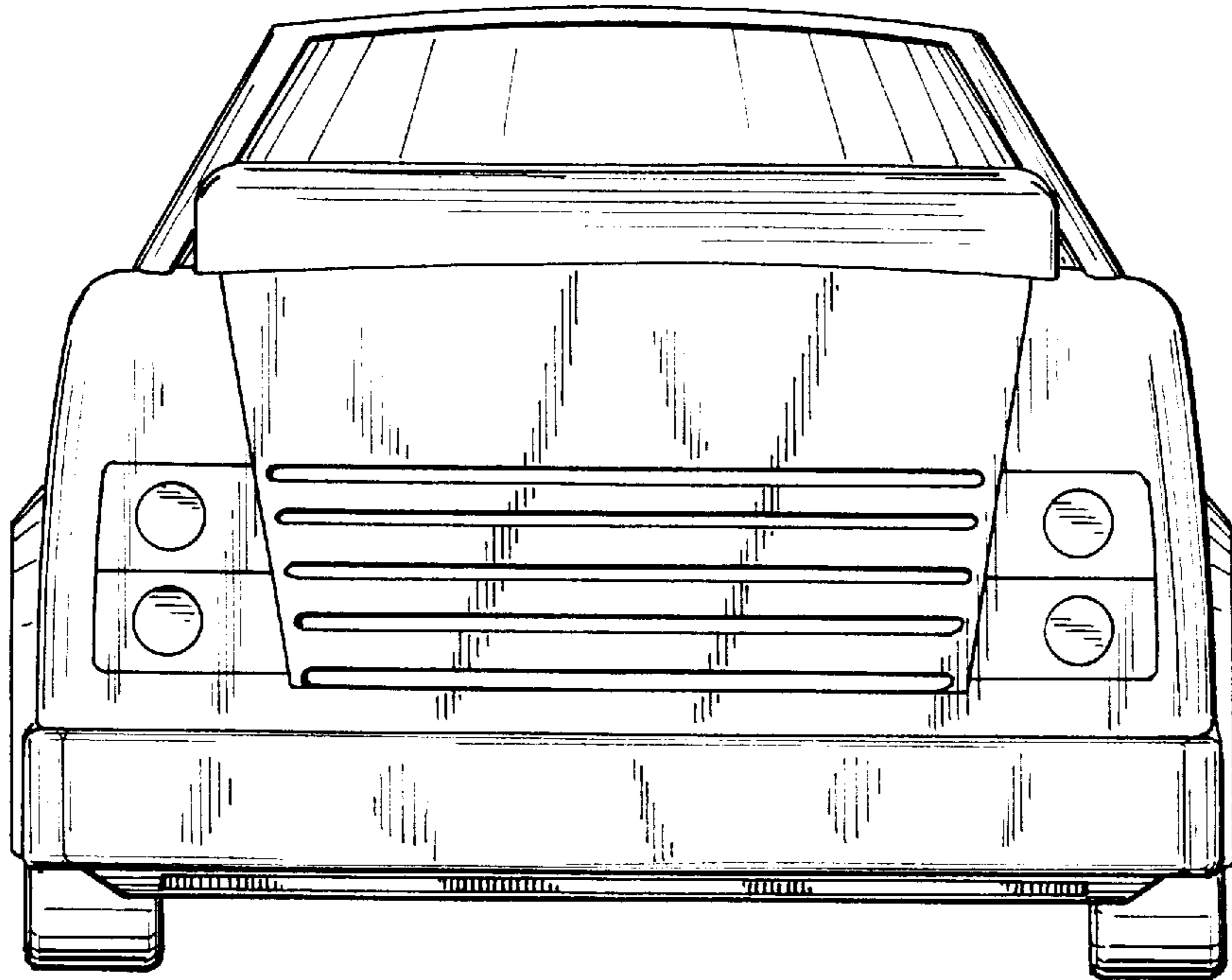


FIG. 5

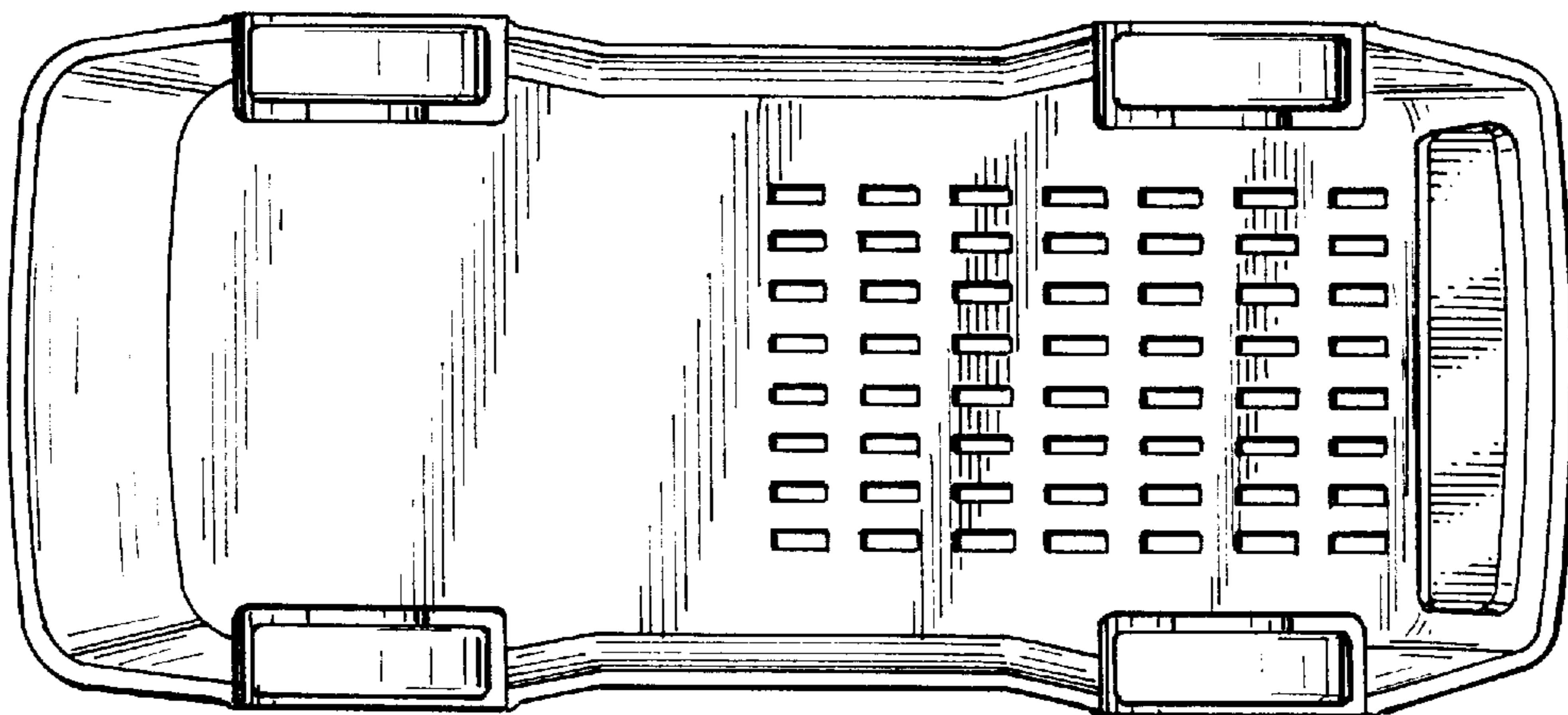


FIG. 6