



US00D402995S

**United States Patent** [19]  
**Hakamata**

[11] **Patent Number: Des. 402,995**

[45] **Date of Patent: \*\*Dec. 22, 1998**

[54] **DRIVE PLATE FOR A MOTOR VEHICLE**

[75] Inventor: **Norihiko Hakamata**, Shizuoka-ken,  
Japan

[73] Assignee: **Fujikiko Kabushiki Kaisha**, Japan

[\*\*] Term: **14 Years**

[21] Appl. No.: **79,982**

[22] Filed: **Nov. 25, 1997**

[30] **Foreign Application Priority Data**

May 30, 1997 [JP] Japan ..... 9-55963

[51] **LOC (6) Cl.** ..... **15-01**

[52] **U.S. Cl.** ..... **D15/5; D15/148**

[58] **Field of Search** ..... **D15/5, 148; 74/606 R,**  
**74/820**

[56] **References Cited**

**U.S. PATENT DOCUMENTS**

D. 373,368 9/1996 Matsui et al. .... D15/148  
D. 373,369 9/1996 Matsui et al. .... D15/148

*Primary Examiner*—Antoine Duval Davis  
*Attorney, Agent, or Firm*—Saidman DesignLaw Group

[57] **CLAIM**

The ornamental design for a drive plate for a motor vehicle,  
as shown and described.

**DESCRIPTION**

FIG. 1 is a perspective view of a drive plate for a motor  
vehicle showing my new design;  
FIG. 2 is a front plan view thereof;  
FIG. 3 is a rear plan view thereof; and,  
FIG. 4 is a side view thereof.

**1 Claim, 4 Drawing Sheets**

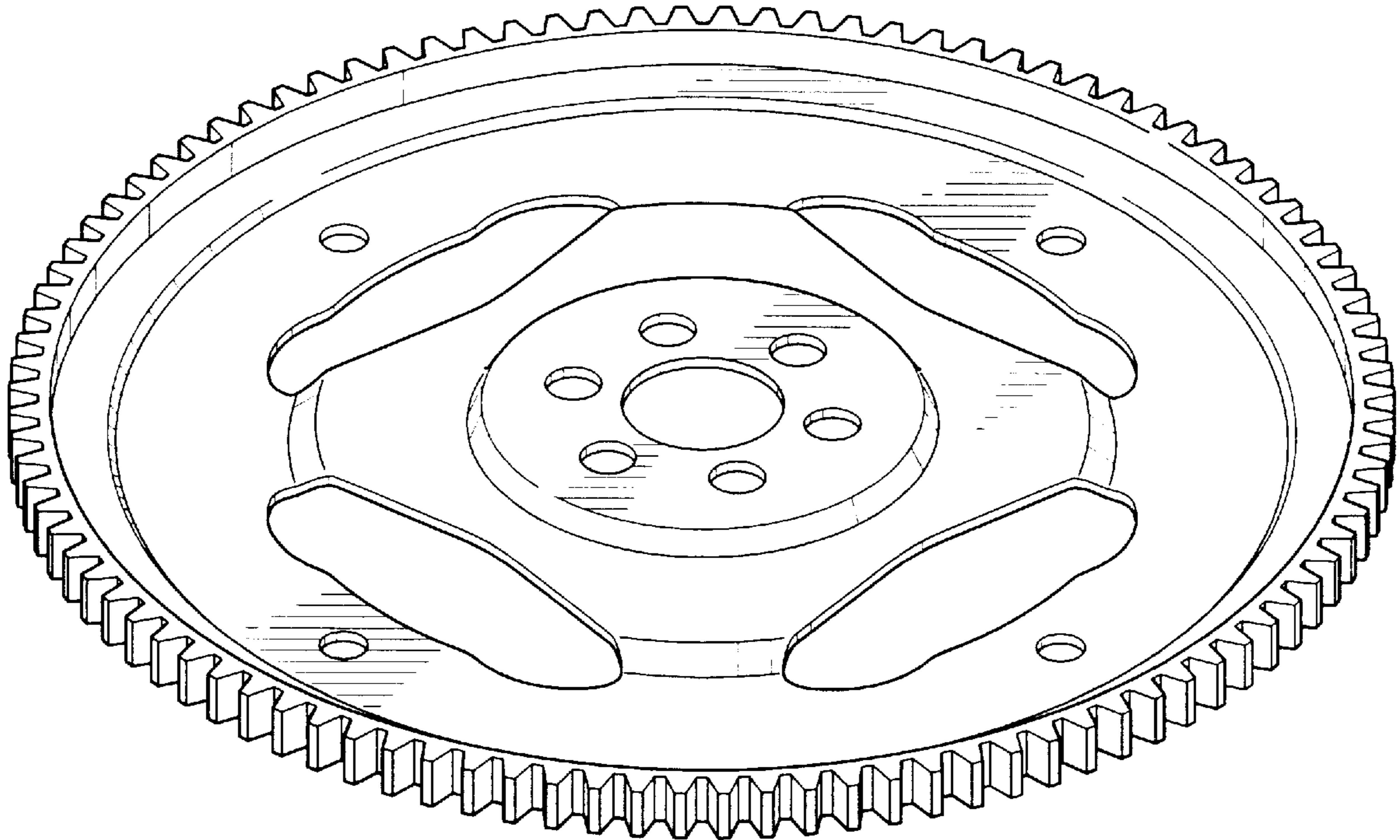


FIG. 1

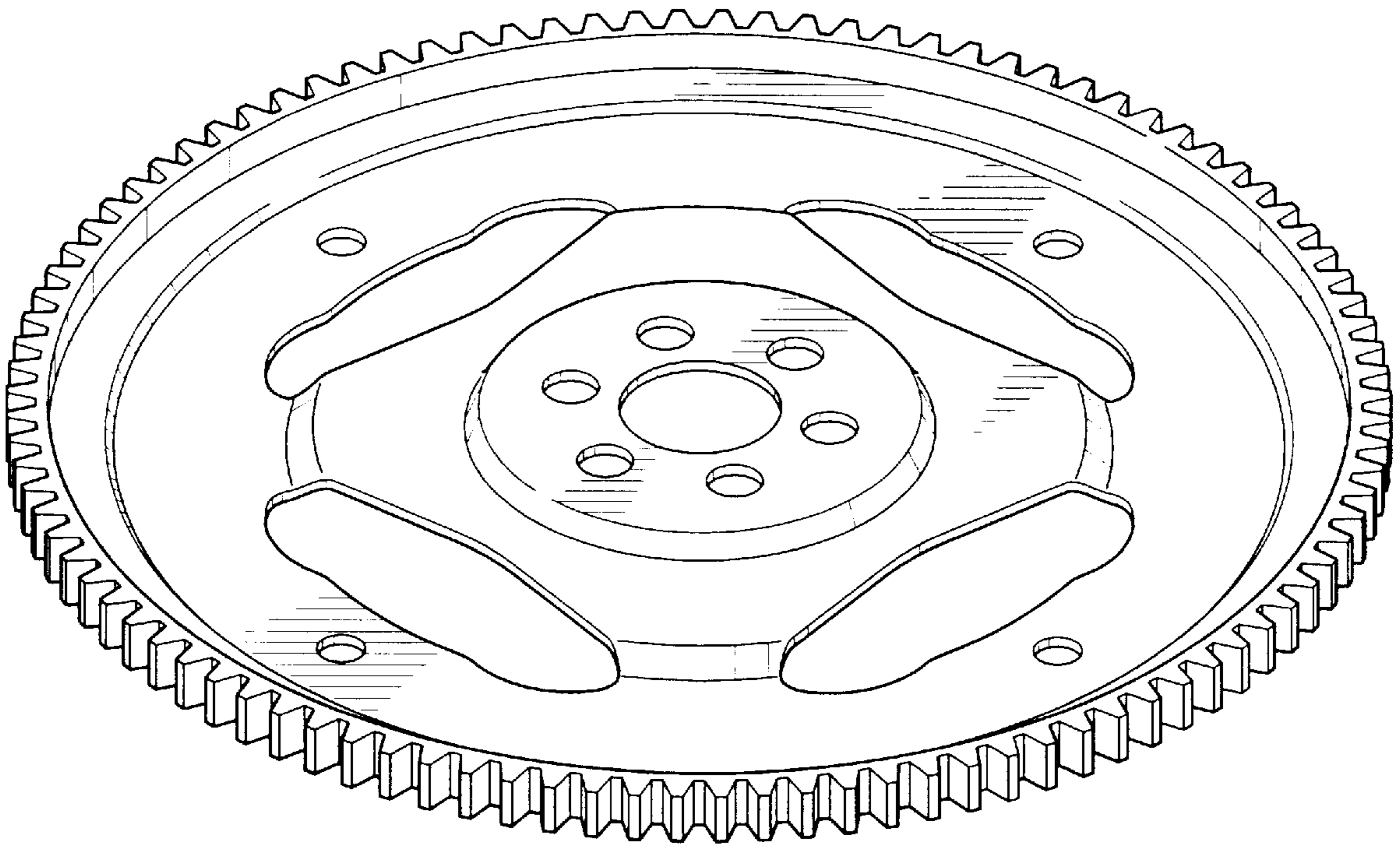


FIG.2

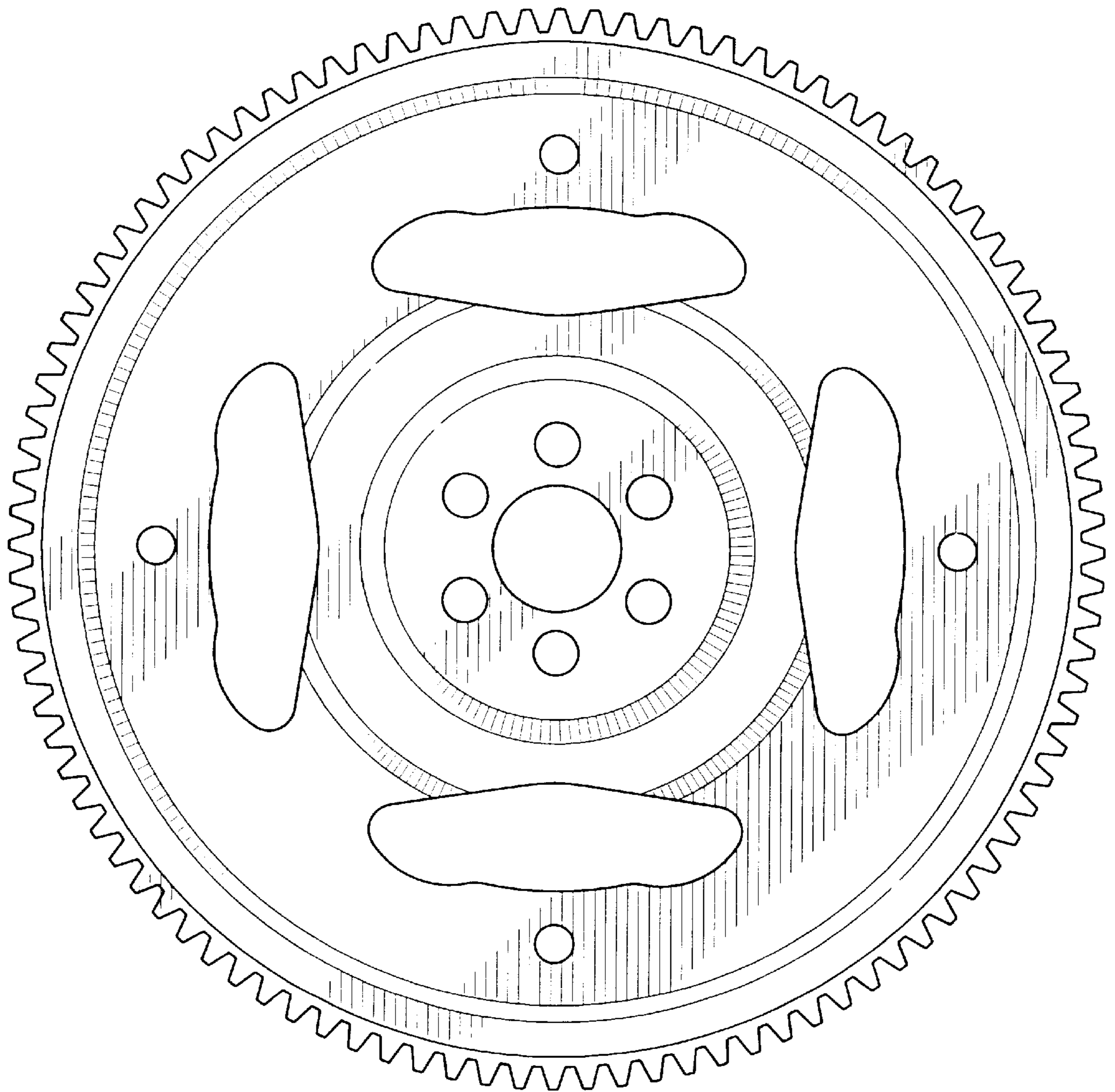


FIG.3

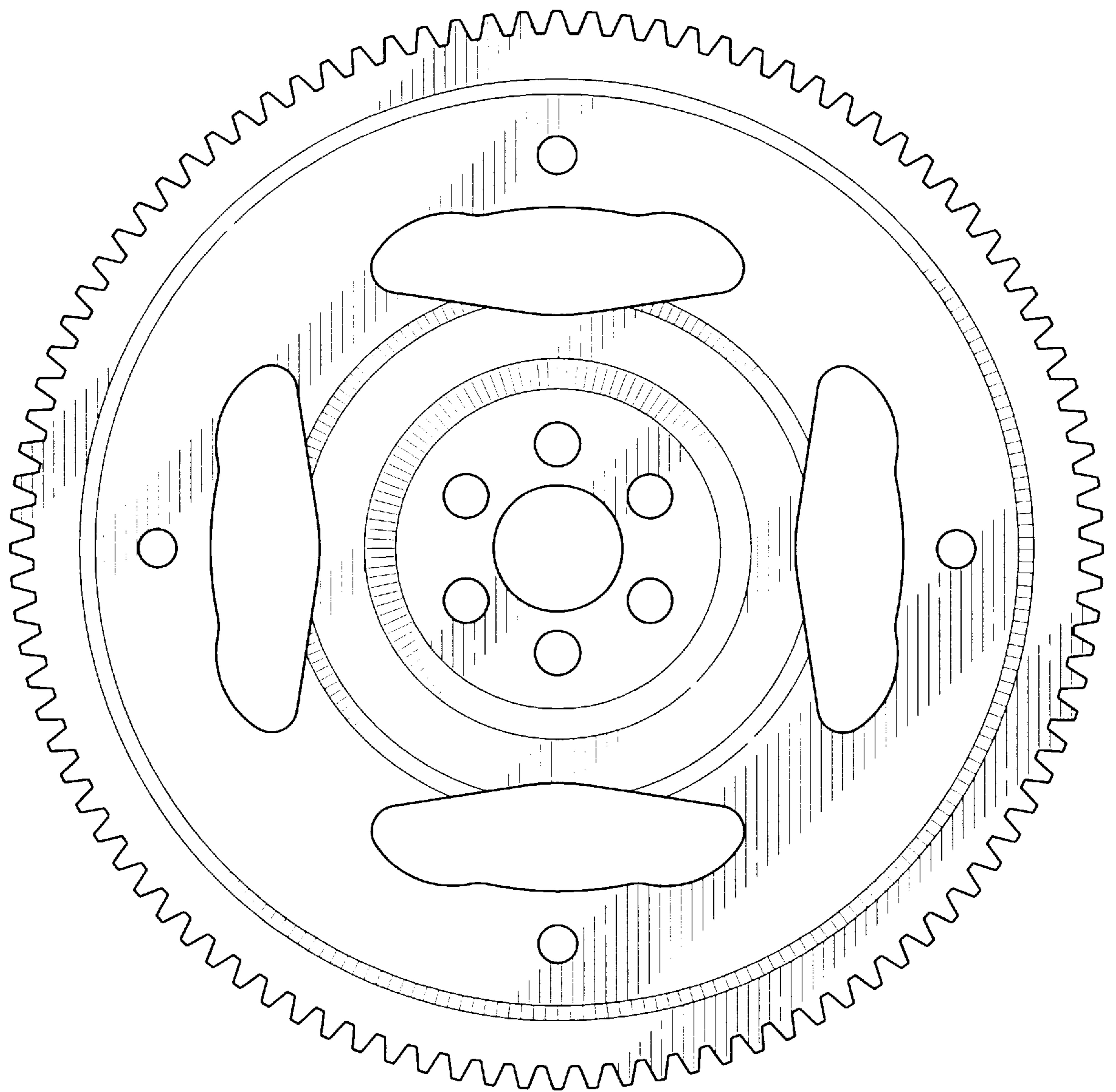


FIG. 4

