



US00D402994S

United States Patent [19]

Acosta

[11] Patent Number: **Des. 402,994**

[45] Date of Patent: ****Dec. 22, 1998**

[54] CELLULAR PHONE HOLDING AND TRANSPORTING DEVICE

[76] Inventor: **Artemio J. Acosta**, 107 Pennsylvania Rd., Glassboro, N.J. 08028

[**] Term: **14 Years**

[21] Appl. No.: **67,367**

[22] Filed: **Mar. 5, 1997**

[51] LOC (6) Cl. **14-03**

[52] U.S. Cl. **D14/253**

[58] Field of Search D14/140, 142, D14/149, 251, 252, 253; 379/419, 420, 428, 440, 454, 455, 434-436, 433, 446; 455/90, 550-575; D13/107-108; D3/218

[56] References Cited

U.S. PATENT DOCUMENTS

D. 206,590	1/1967	Haggstrom	D13/108
D. 313,221	12/1990	Skully et al.	D13/108
D. 315,330	3/1991	Soren et al.	D13/107
D. 343,841	2/1994	Hon et al.	D14/251
D. 346,786	5/1994	Nagele et al.	D13/108
D. 352,711	11/1994	Solomita et al.	D14/149
D. 362,004	9/1995	Nakano et al.	D14/253
D. 365,824	1/1996	Danielson et al.	D14/149 X
D. 365,927	1/1996	Cho	D3/218

D. 368,268	3/1996	Nichols et al.	D14/149 X
4,810,216	3/1989	Kawamura	D14/251 X

FOREIGN PATENT DOCUMENTS

5-167657	7/1993	Japan	379/455
----------	--------	-------	-------	---------

Primary Examiner—Jeffrey Asch

[57] CLAIM

The ornamental design for a cellular phone holding and transporting device, as shown and described.

DESCRIPTION

FIG. 1 is a front plan view of the cellular phone holding and transporting device of the present invention; FIG. 2 is a back plan view of the cellular phone holding and transporting device of FIG. 1; FIG. 3 is a left side plan view of the cellular phone holding and transporting device of FIG. 1; FIG. 4 is a right side plan view of the cellular phone holding and transporting device of FIG. 1; FIG. 5 is a top plan view of the cellular phone holding and transporting device of FIG. 1; and, FIG. 6 is a bottom plan view of the cellular phone holding and transporting device of FIG. 1. The interior pad as best seen in FIG. 5 is parallel to the base having a continuous thickness consistent with that shown in FIG. 2.

1 Claim, 3 Drawing Sheets

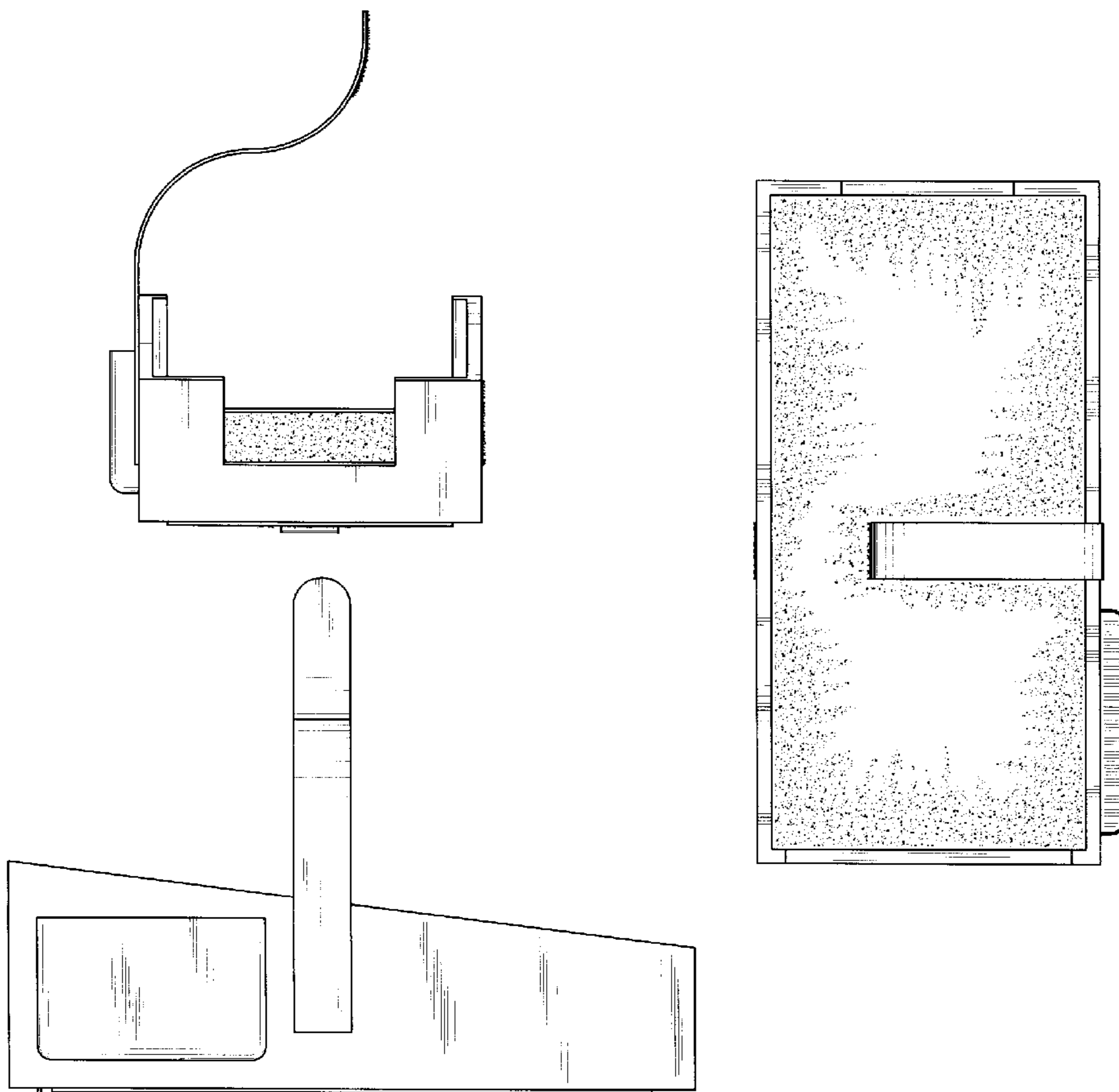


FIG. 1

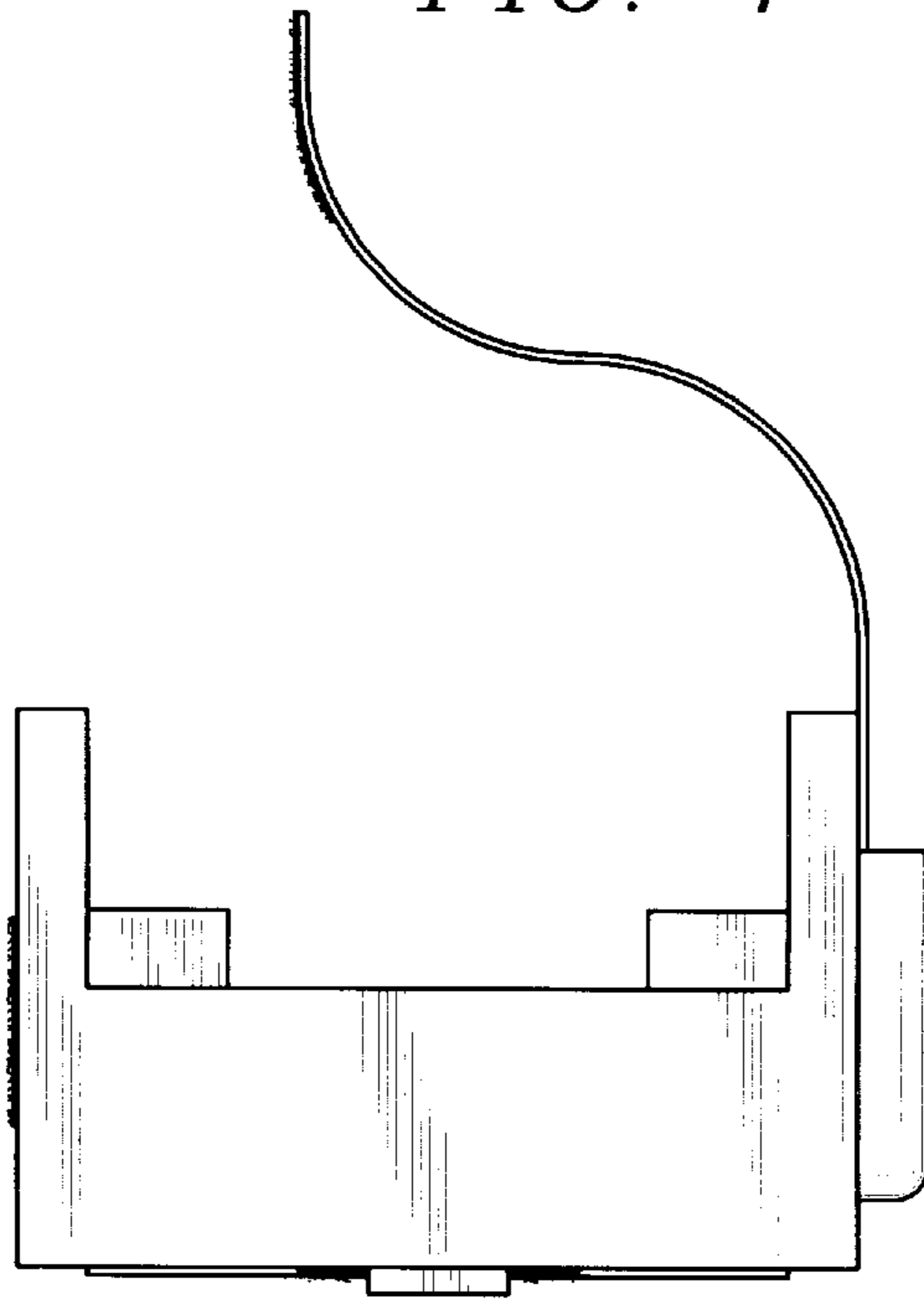


FIG. 2

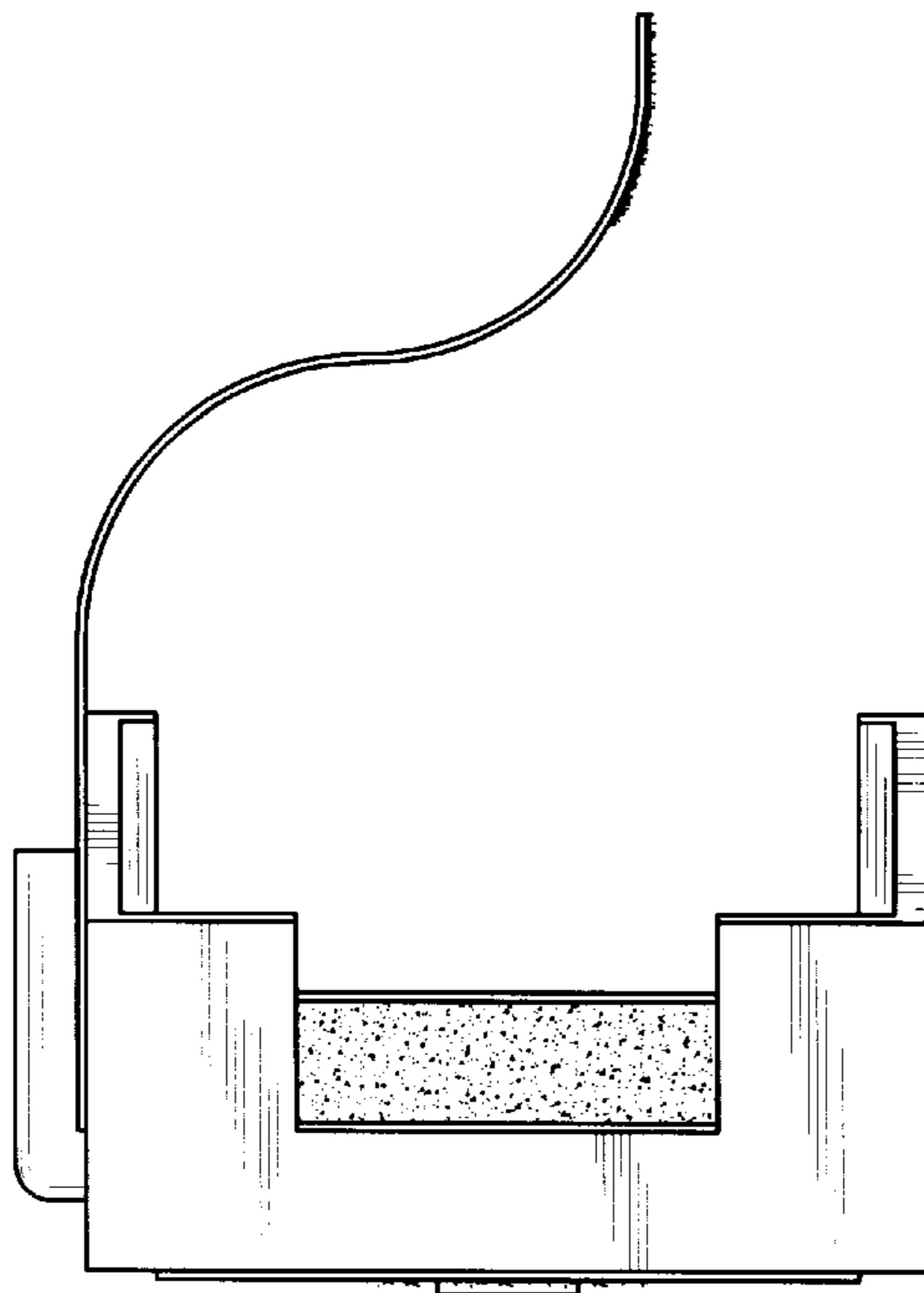


FIG. 3

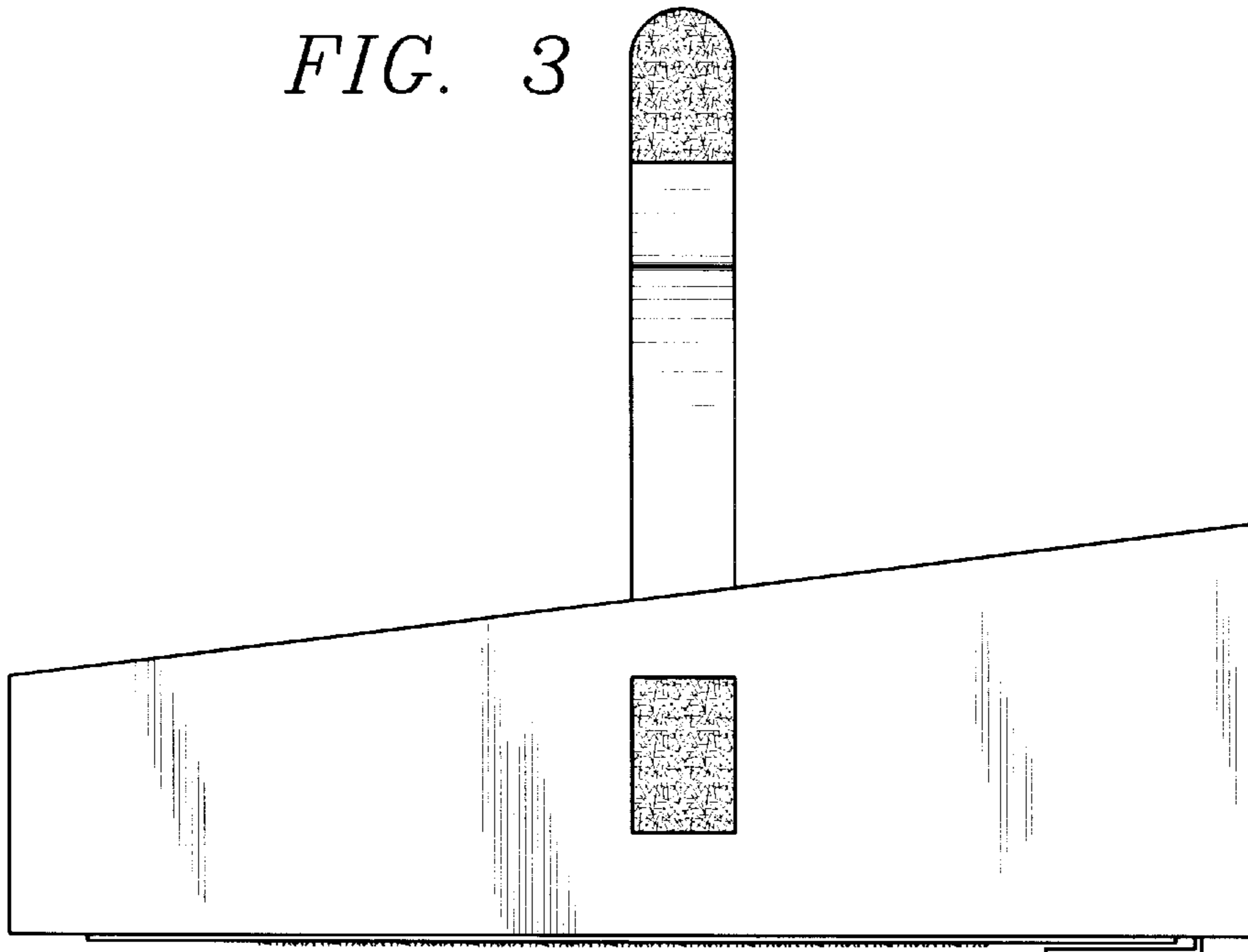


FIG. 4

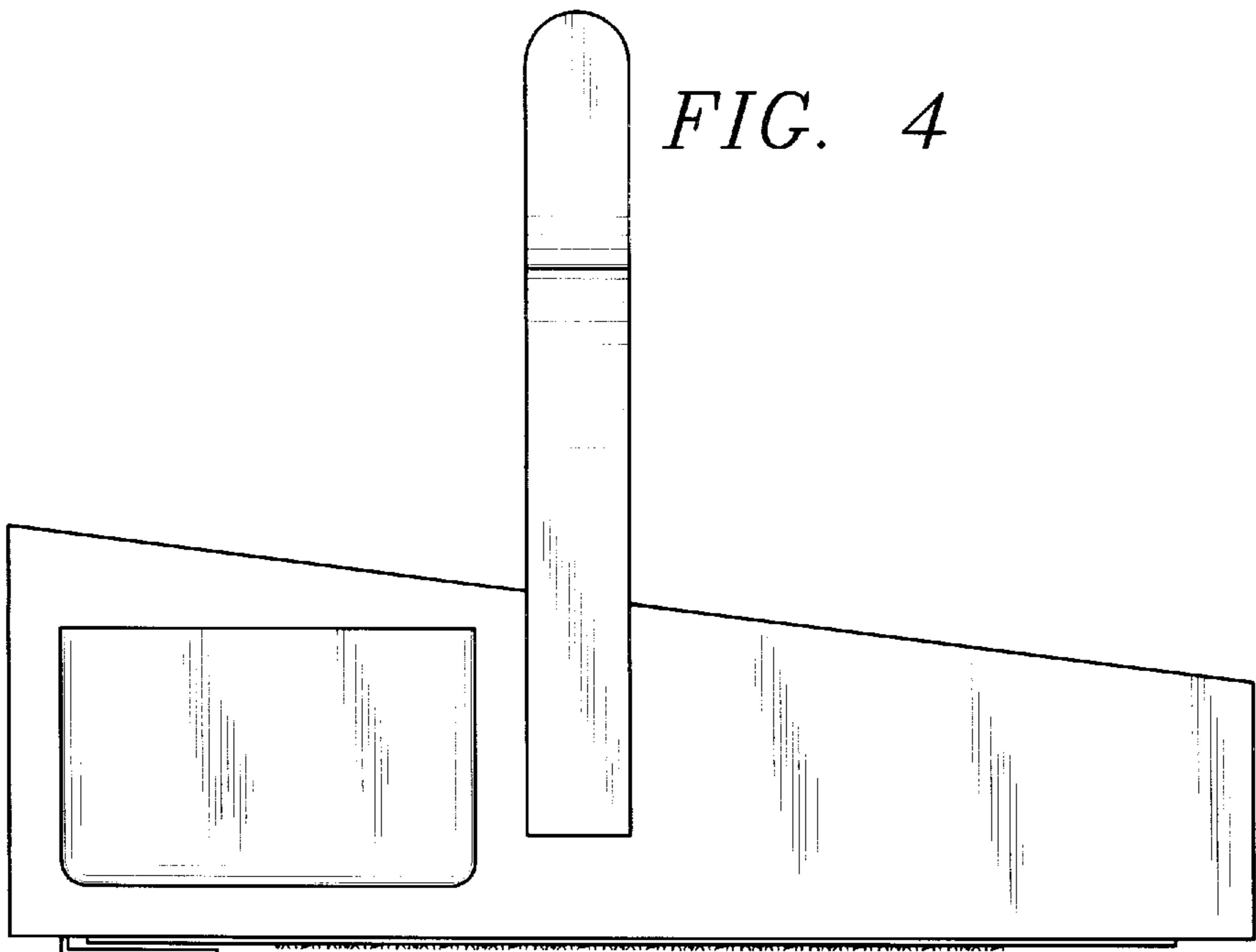


FIG. 5

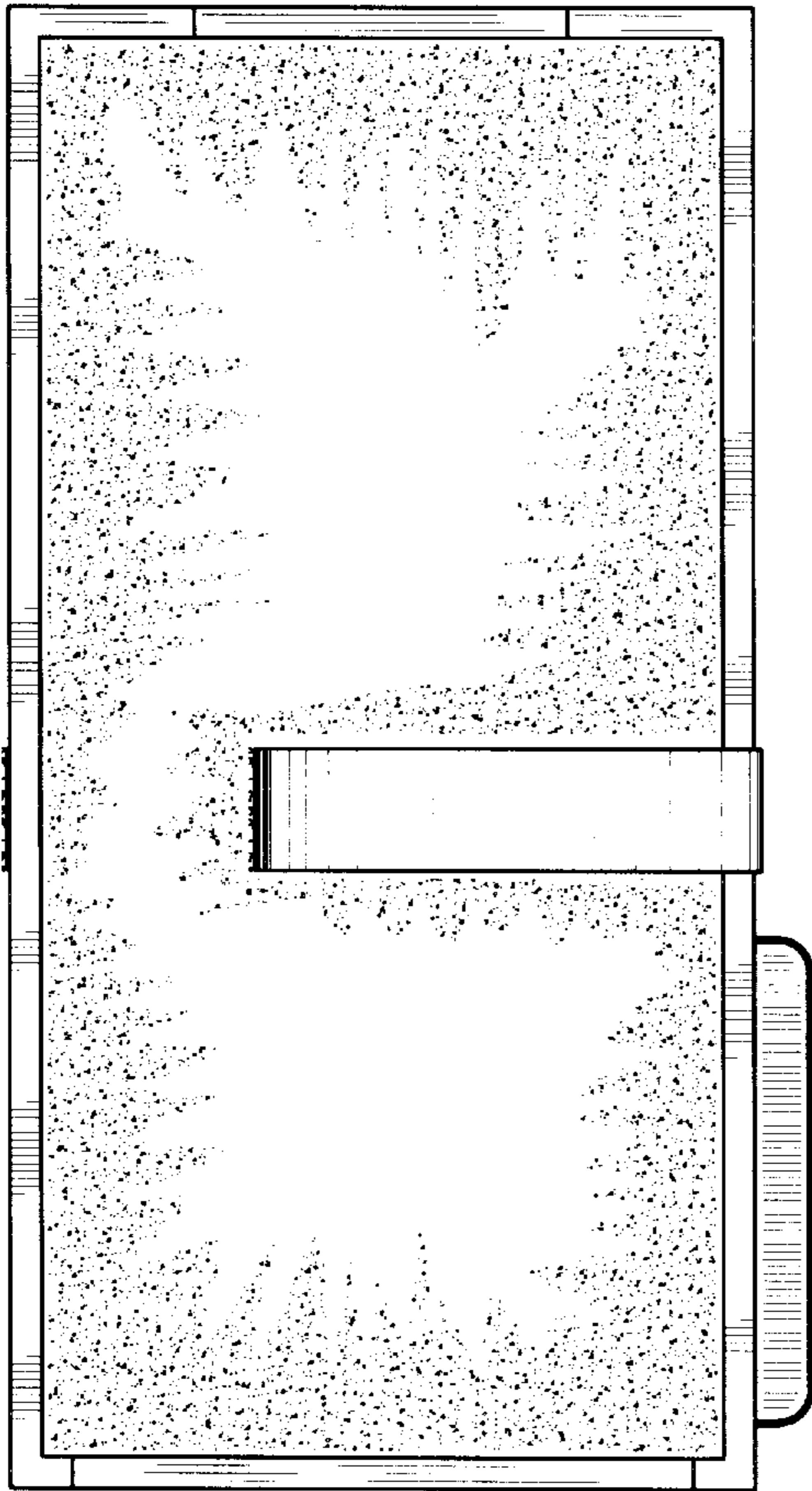


FIG. 6

