



US00D402993S

United States Patent [19]

James et al.

[11] Patent Number: **Des. 402,993**

[45] Date of Patent: ****Dec. 22, 1998**

[54] **CRADLE FOR A HANDSET**

[75] Inventors: **Neil James**, Broadwater; **Alan Clifford Dowsett**, Lancing, both of England

[73] Assignee: **MBM Technology Limited**, United Kingdom

[**] Term: **14 Years**

[21] Appl. No.: **66,959**

[22] Filed: **Feb. 28, 1997**

[30] Foreign Application Priority Data

Aug. 30, 1996	[GB]	United Kingdom	9618149
Sep. 9, 1996	[GB]	United Kingdom	2059174

[51] **LOC (6) Cl.** **14-03**

[52] **U.S. Cl.** **D14/253**

[58] **Field of Search** D14/137, 138, D14/140, 142, 147-151, 240, 114, 251-253; 379/419, 420, 428, 440, 454, 455, 436, 435, 434; 455/89, 90; D13/107, 108

[56] References Cited

U.S. PATENT DOCUMENTS

D. 352,711	11/1994	Solomita et al.	D14/149
D. 354,961	1/1995	Richards et al.	D14/253
D. 362,004	9/1995	Nakano et al.	D14/149 X
D. 374,014	9/1996	Nagele et al.	D14/253
5,142,573	8/1992	Umezawa	455/90 X

5,189,358	2/1993	Tomura et al.	455/89
5,568,548	10/1996	Repplinger	379/454 X

FOREIGN PATENT DOCUMENTS

0269096	6/1988	European Pat. Off.	379/455
5-167657	7/1993	Japan	379/455

Primary Examiner—Jeffrey Asch
Attorney, Agent, or Firm—Kilpatrick Stockton LLP; Dean W. Russell

[57] CLAIM

The ornamental design for a cradle for a handset, as shown and described.

DESCRIPTION

FIG. 1 is a perspective view of a cradle for a handset from above the front and one side with the other side being substantially symmetric about a vertical longitudinal plane and showing our new design;

FIG. 2 is a perspective view of a cradle for a handset from above the rear and one side with the other side being substantially symmetric about a vertical longitudinal plane;

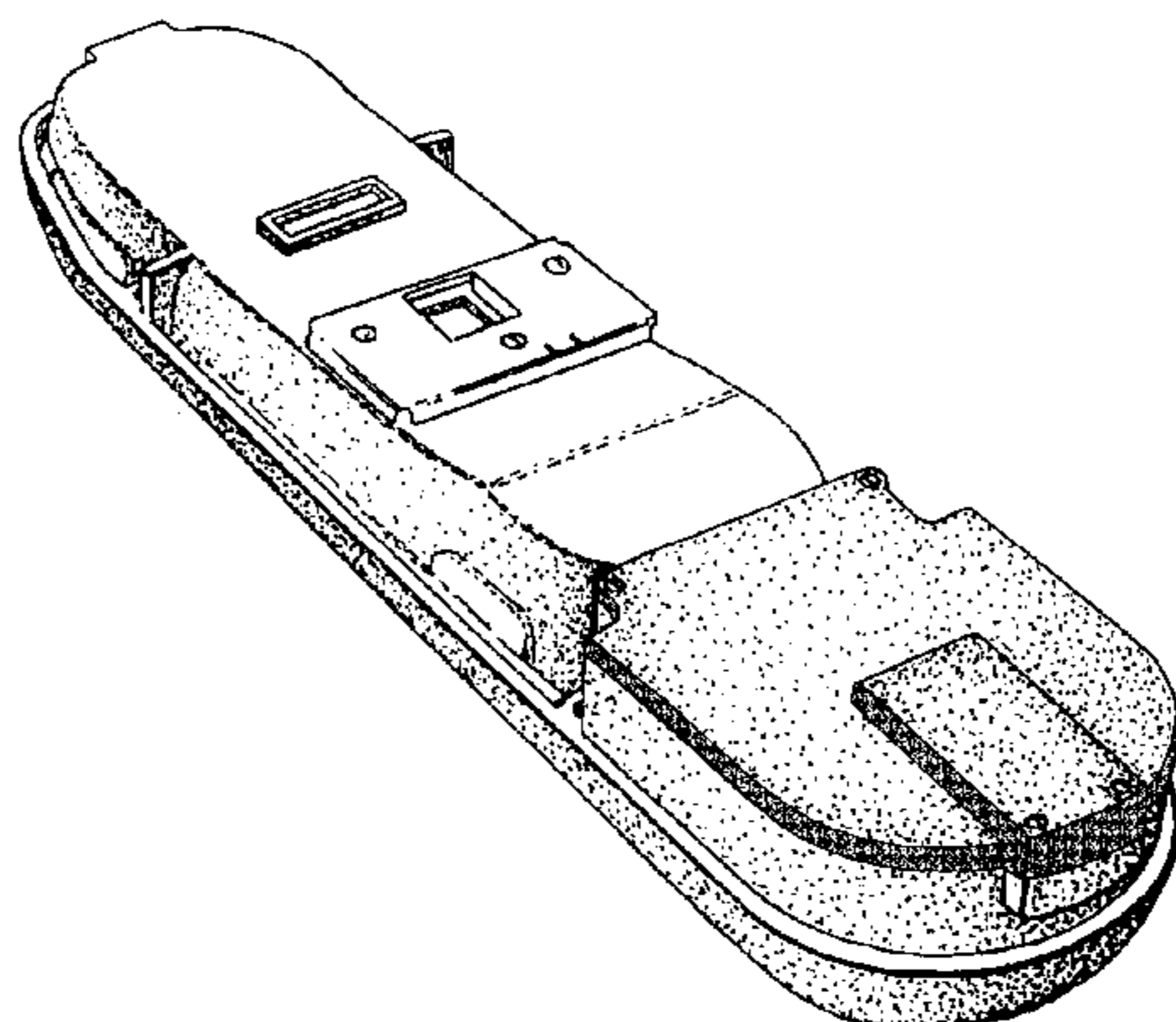
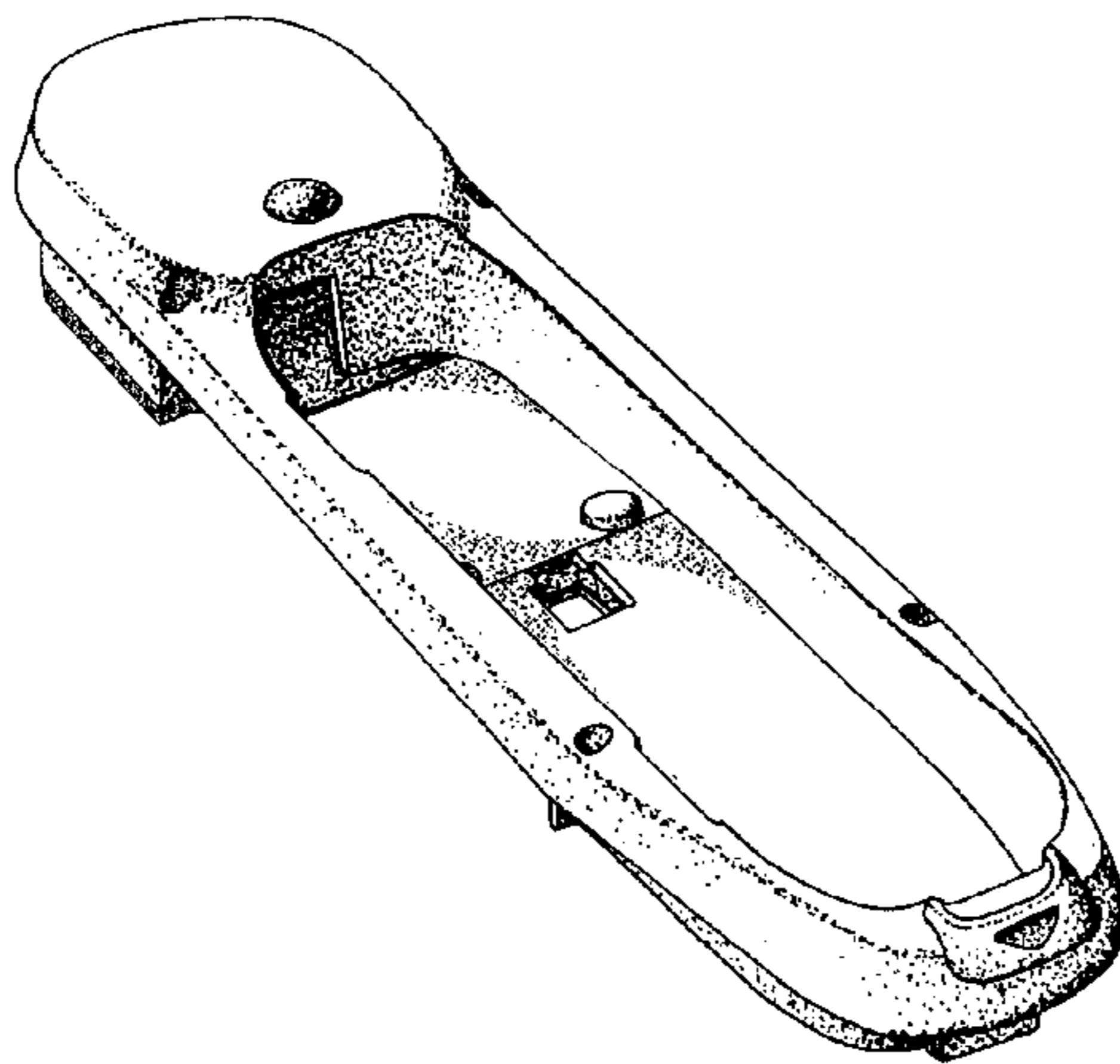
FIG. 3 is a perspective view of a cradle for a handset from below and the front and the other side; and,

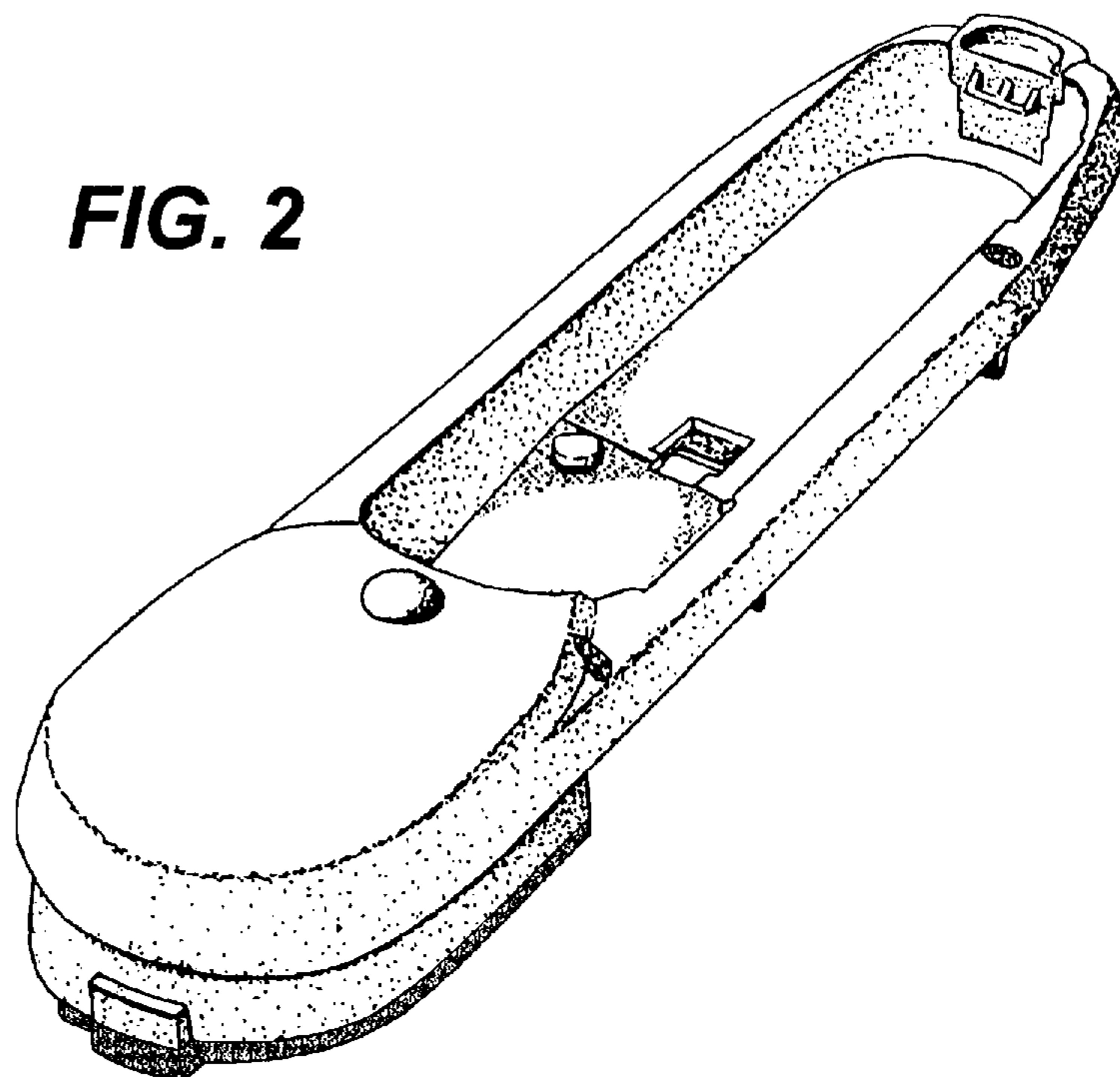
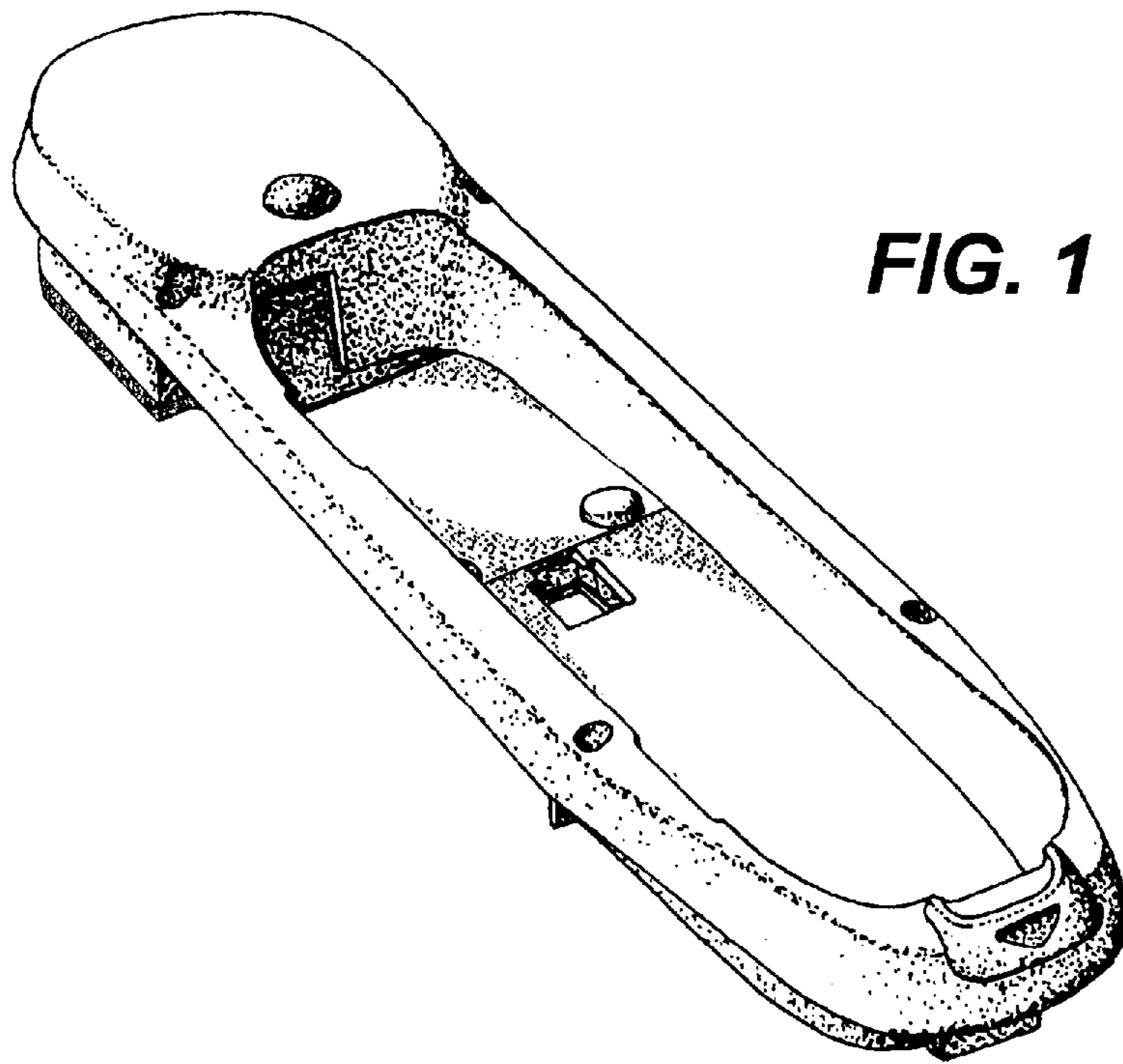
FIG. 4 is a perspective view of a cradle for a handset from below and the rear and the other side;

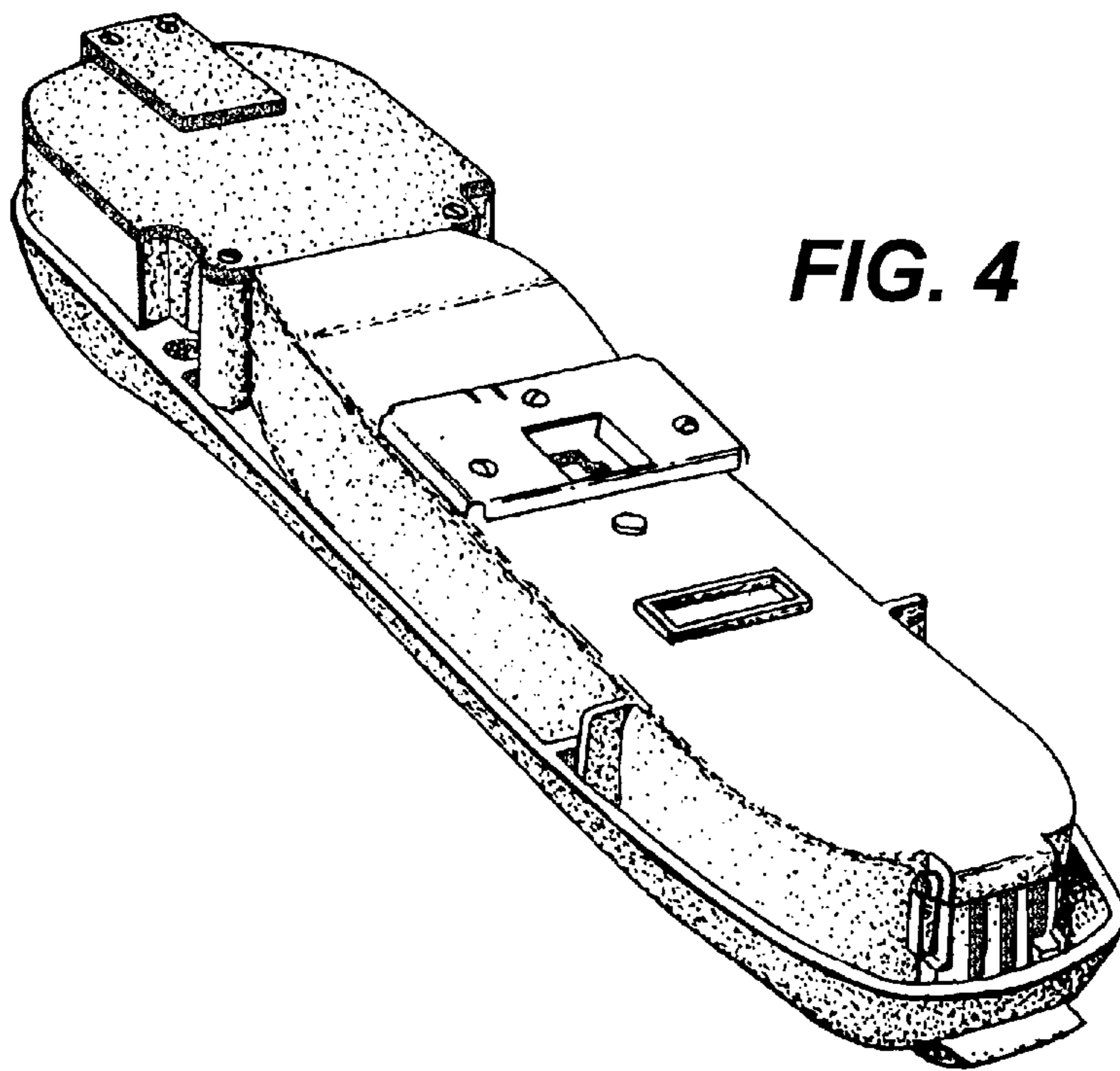
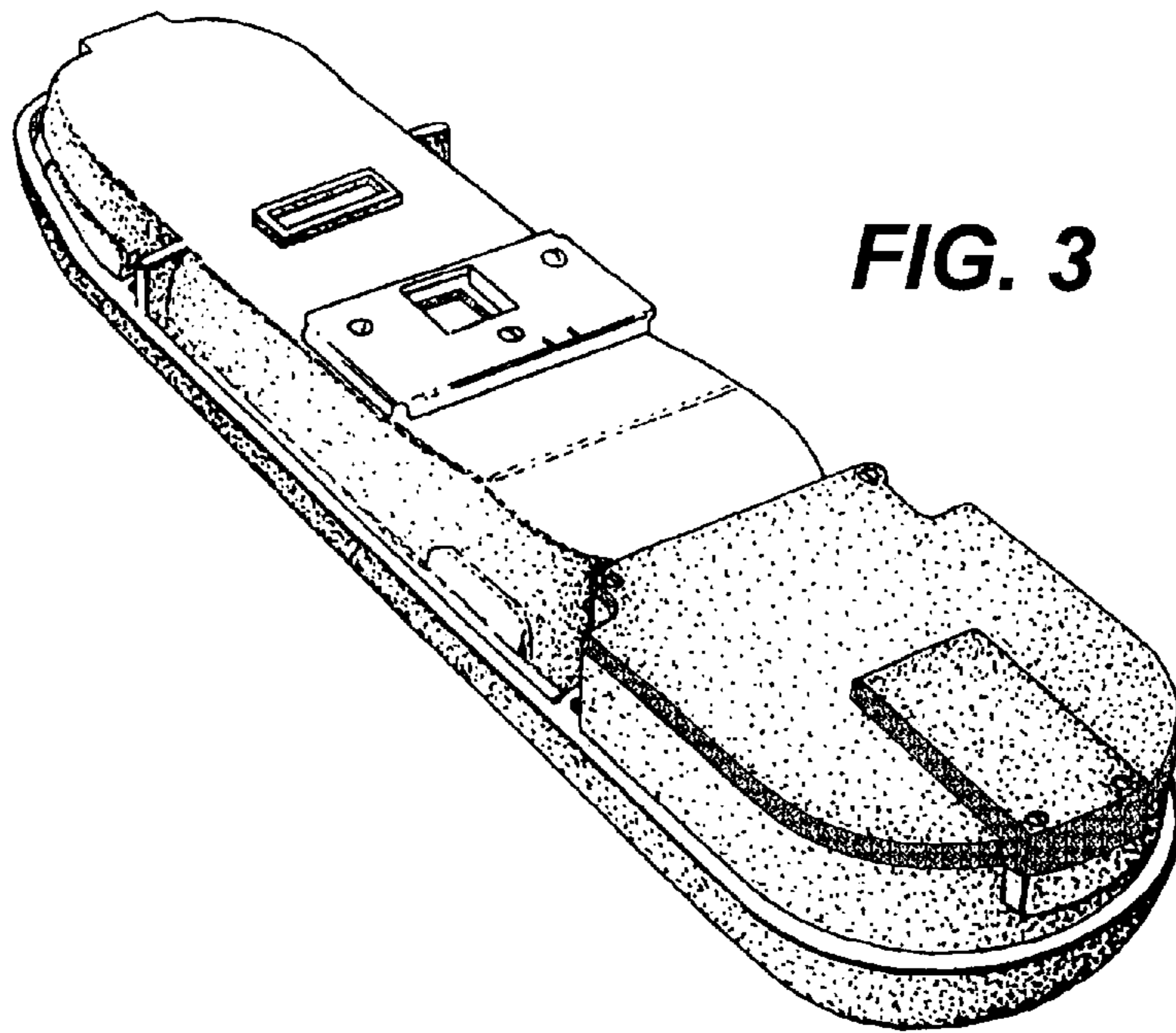
FIG. 5 is a perspective of a cradle for a handset from above the rear and one side; and,

FIG. 6 is a top plan view of a cradle for a handset.

1 Claim, 3 Drawing Sheets







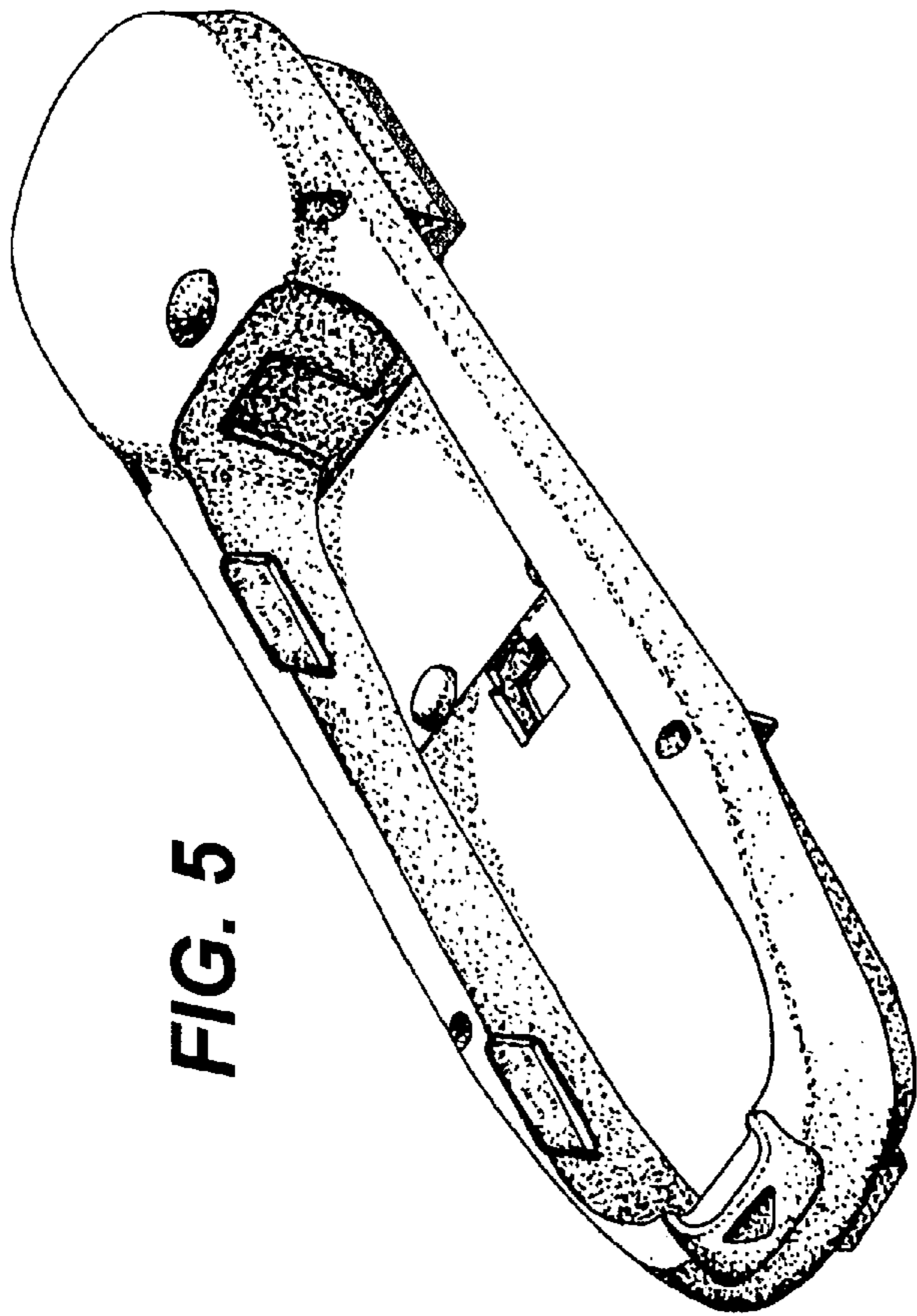


FIG. 5

FIG. 6

