



US00D402989S

United States Patent [19]

Church et al.

[11] Patent Number: **Des. 402,989**

[45] Date of Patent: ****Dec. 22, 1998**

[54] **SPEAKER WAVE GUIDE**

5,652,413 7/1997 Mulera 181/150 X

[75] Inventors: **Gary E. Church**, Jenison; **Randall J. Lezman**, Sand Lake; **Lee Victor Barker**, Wyoming, all of Mich.

OTHER PUBLICATIONS

Genelec Self-Powered Monitoring Systems Condensed Catalog (Copyright 1994).

[73] Assignee: **Rockford Corporation**, Tempe, Ariz.

Primary Examiner—Ted Shooman

Assistant Examiner—Nanda Bondade

[**] Term: **14 Years**

Attorney, Agent, or Firm—Warner Norcross & Judd LLP

[21] Appl. No.: **78,372**

[57] CLAIM

[22] Filed: **Oct. 22, 1997**

The ornamental design for a speaker wave guide, as shown and described.

[51] **LOC (6) Cl.** **14-01**

DESCRIPTION

[52] **U.S. Cl.** **D14/216; D14/204**

[58] **Field of Search** D14/204, 207-216, D14/221, 222; 181/143, 144, 147, 148, 150, 153, 157; 381/24, 88, 90, 153, 159, 182, 204, 205

FIG. 1 is a front elevational view of the speaker wave guide embodying the new design;

FIG. 2 is the rear elevational view thereof;

FIG. 3 is a right side elevational view thereof;

FIG. 4 is a left side elevational view thereof;

FIG. 5 is a top plan view thereof;

FIG. 6 is a bottom plan view thereof;

FIG. 7 is a front perspective view thereof; and,

FIG. 8 is a rear perspective view thereof.

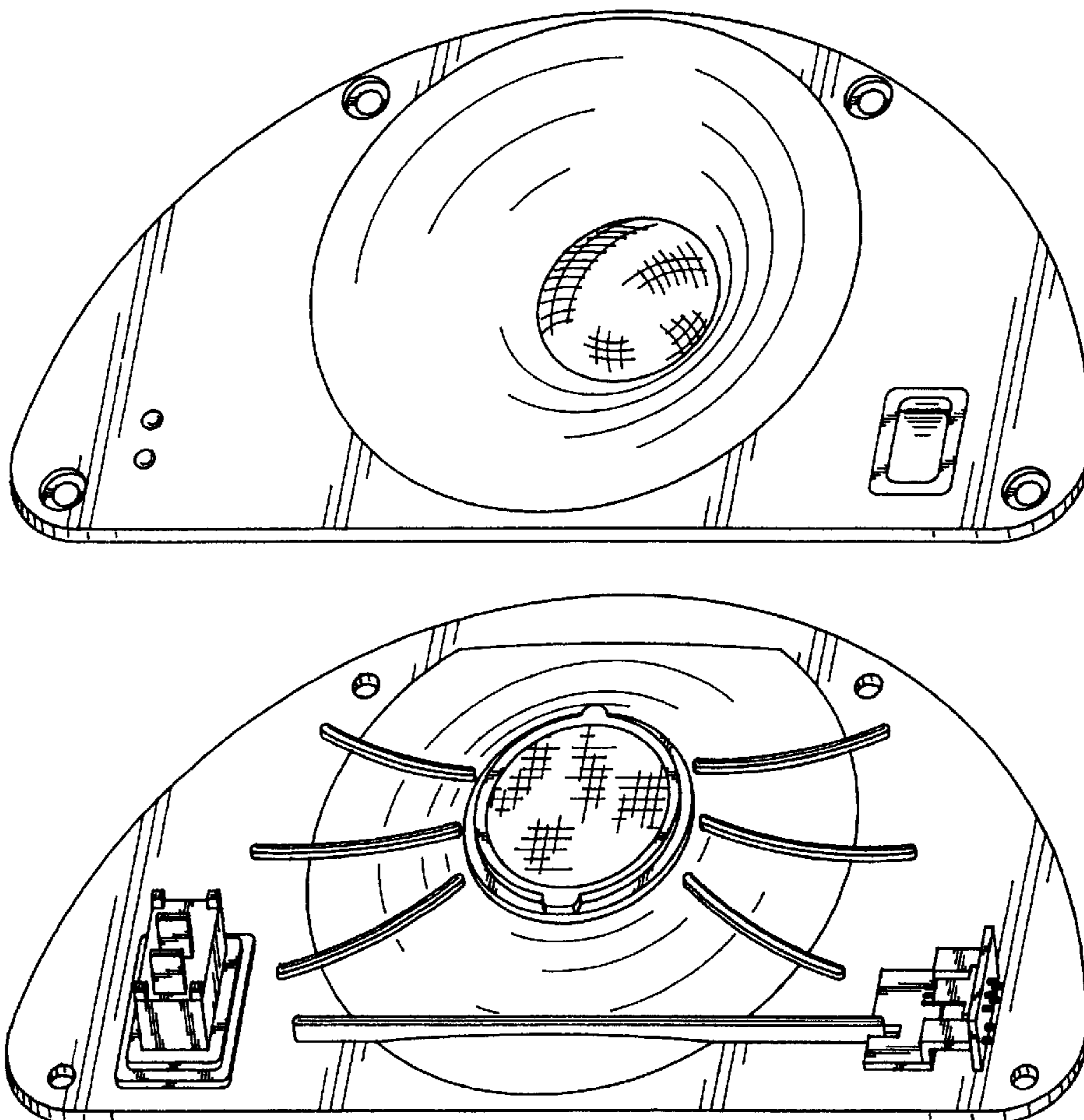
The broken lines shown on FIGS. 3-6 are for illustrative purposes only and form no part of the claimed design.

[56] References Cited

U.S. PATENT DOCUMENTS

D. 182,351	3/1958	Avedon	D14/204
D. 371,367	7/1996	Bittencourt	D14/222
4,281,224	7/1981	Castagna	181/150 X
4,815,558	3/1989	Krainhofer	181/148 X
4,993,511	2/1991	Hiraki et al.	181/150

1 Claim, 4 Drawing Sheets



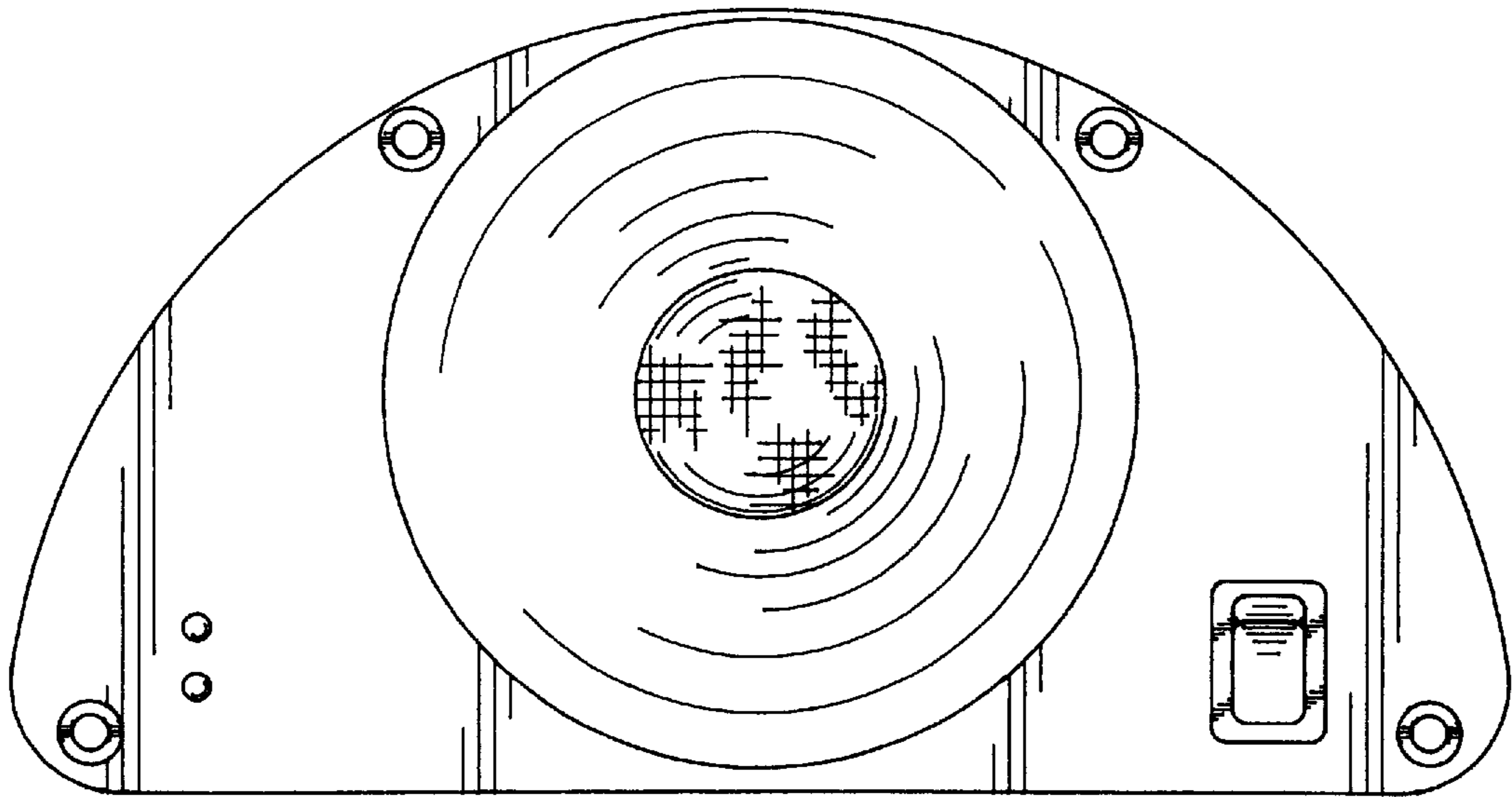


FIG. 1

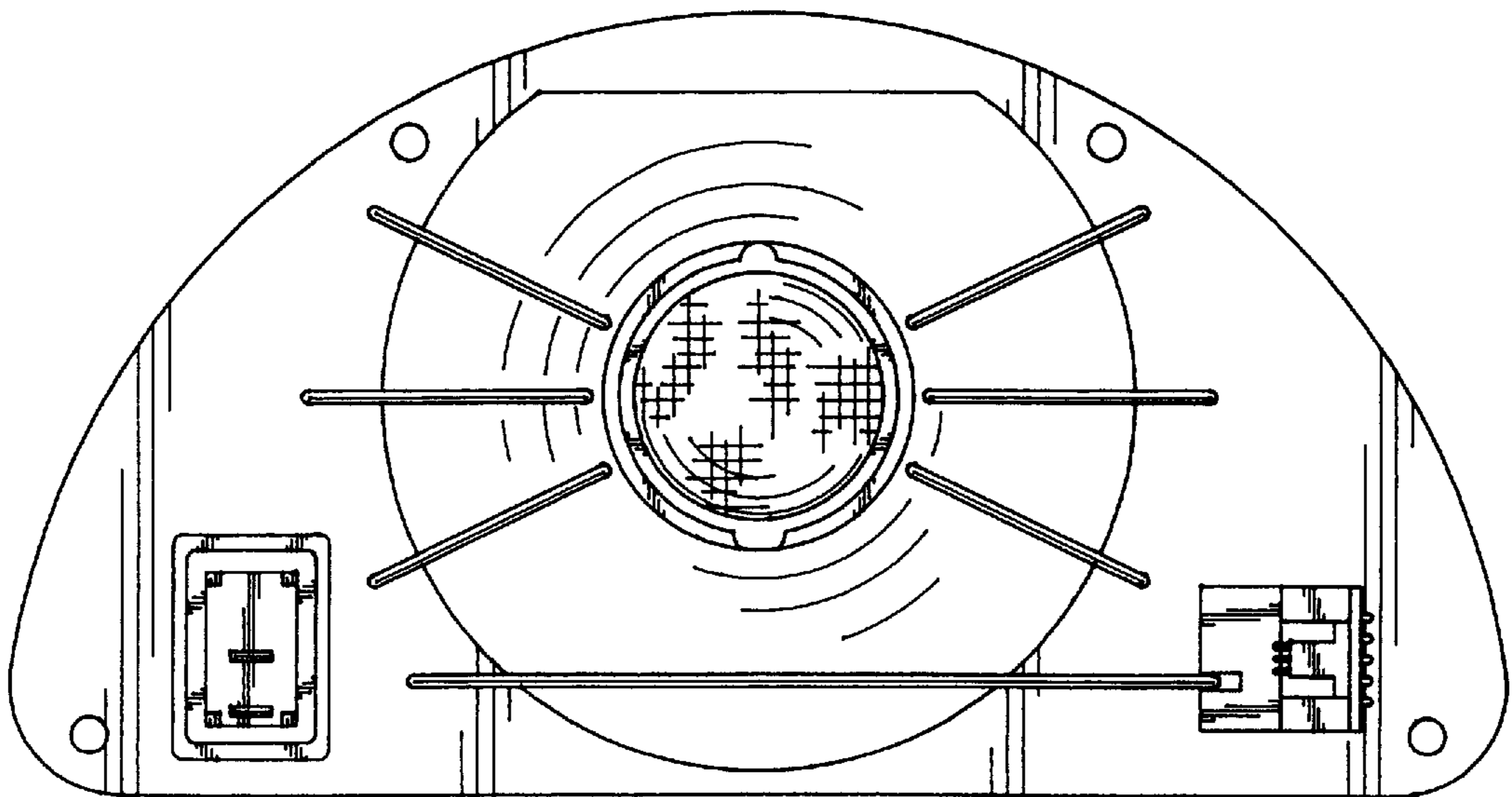


FIG. 2

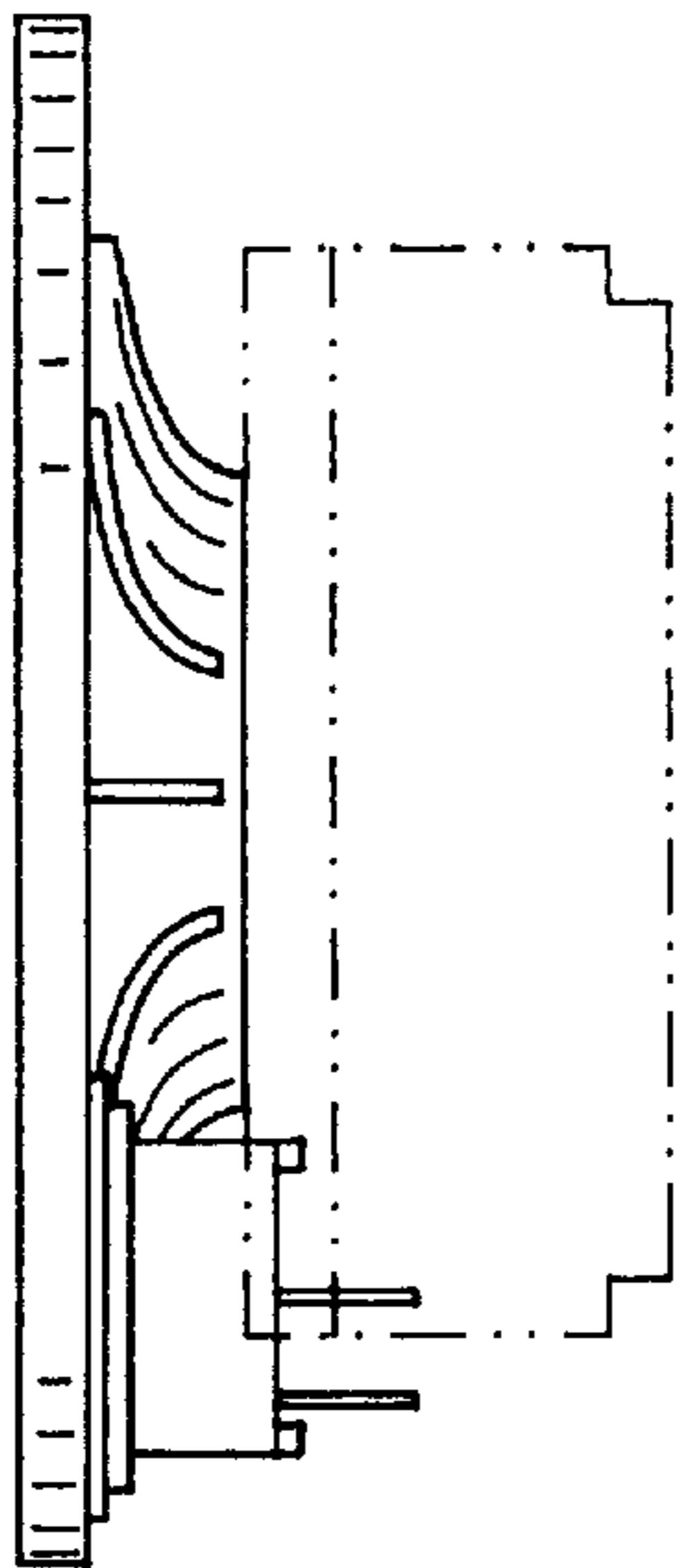


FIG. 3

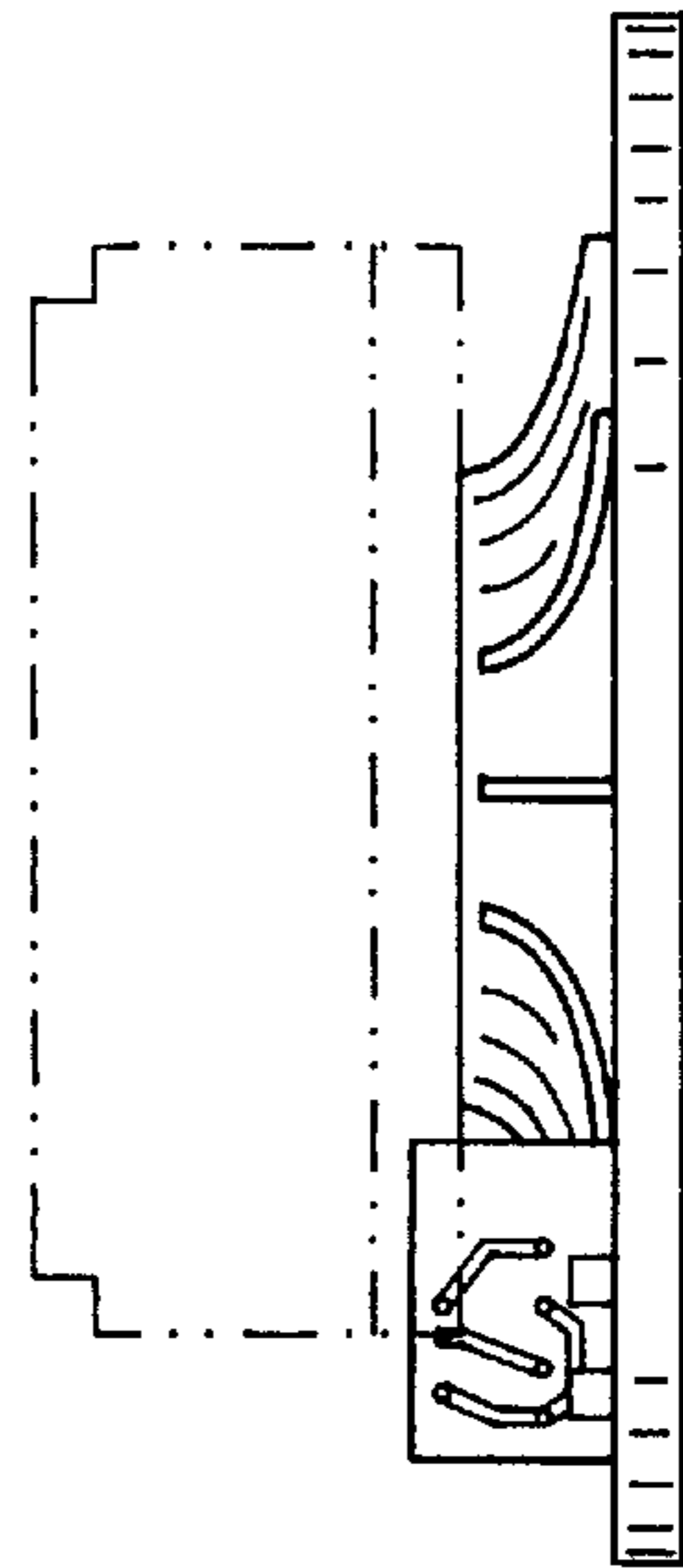


FIG. 4

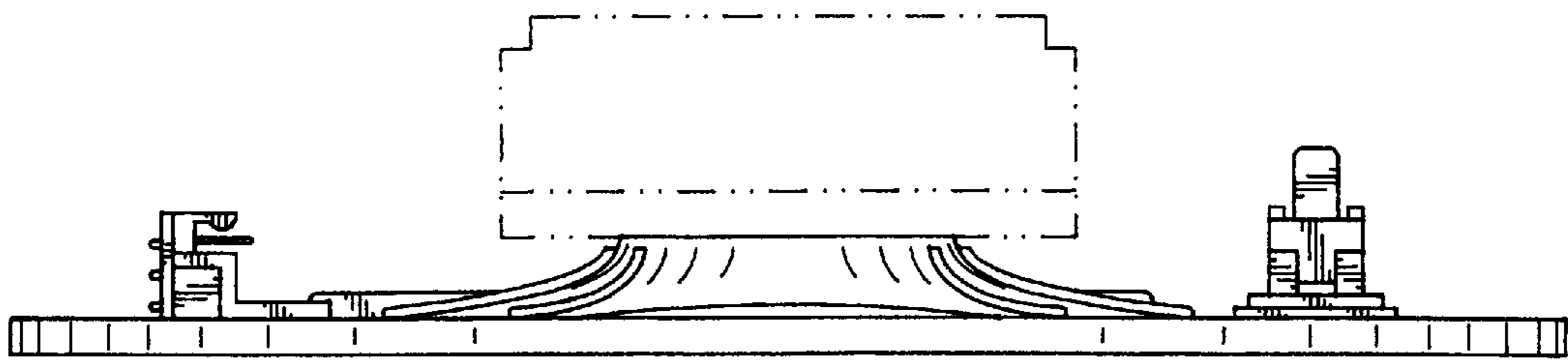


FIG. 5

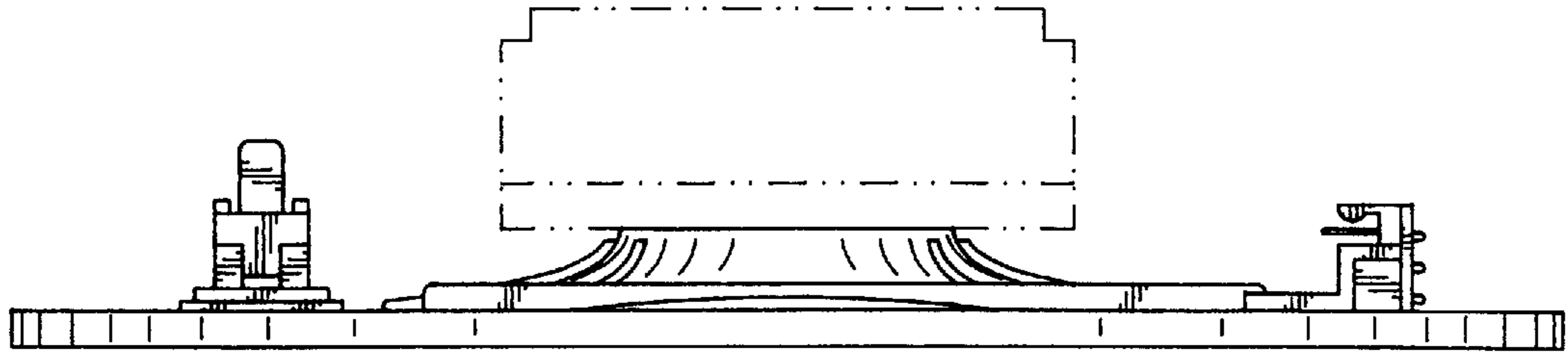


FIG. 6

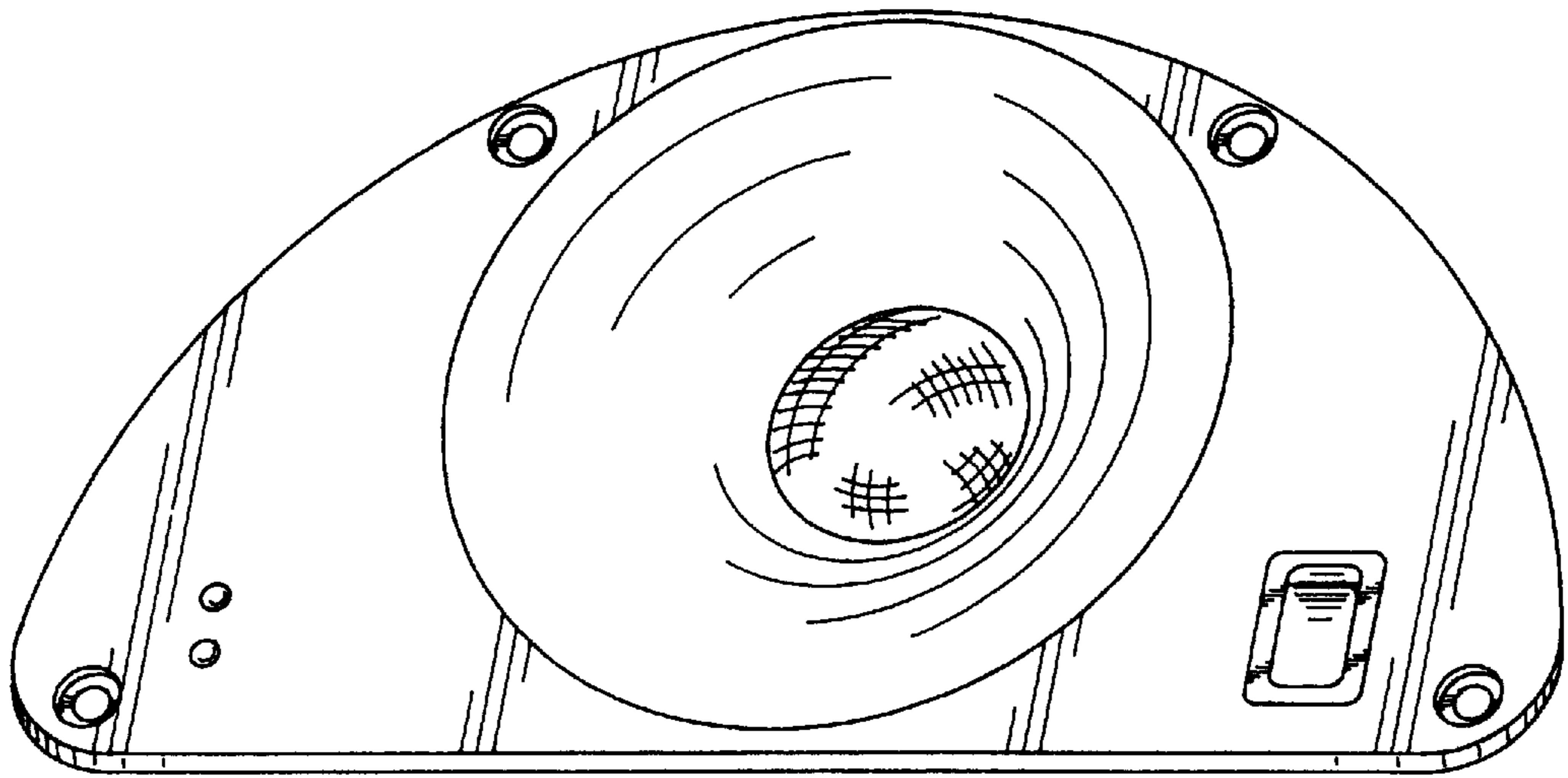


FIG. 7

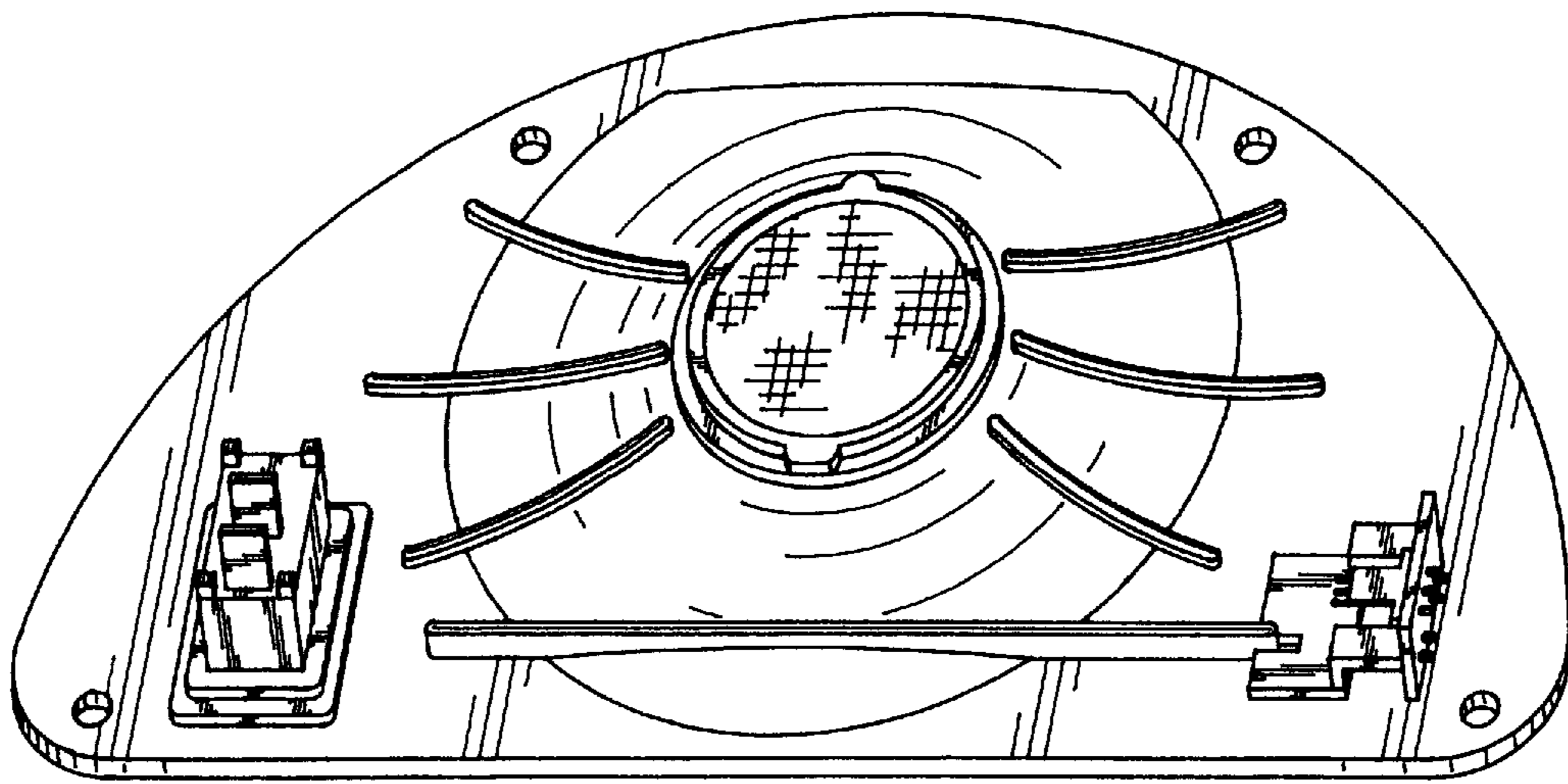


FIG. 8