



US00D402986S

United States Patent [19]

[11] **Patent Number: Des. 402,986**

Doak

[45] **Date of Patent: **Dec. 22, 1998**

[54] **COMBINED BUCKET RADIO AND POWER SUPPLY**

Attorney, Agent, or Firm—Leydig, Voit & Mayer, Ltd.

[76] Inventor: **Thomas W. Doak**, 515 Shirk La., SW., Albuquerque, N. Mex. 87105

[57] **CLAIM**

The ornamental design for a combined bucket radio and power supply, as shown and described.

[**] Term: **14 Years**

DESCRIPTION

[21] Appl. No.: **77,545**

FIG. 1 is a rear side view of a combined bucket radio and power supply showing my new design;

[22] Filed: **Oct. 3, 1997**

FIG. 2 is a top plan view thereof;

[51] **LOC (6) Cl. 14-03**

FIG. 3 is a front side view thereof;

[52] **U.S. Cl. D14/189; D14/196**

FIG. 4 is a bottom plan view thereof;

[58] **Field of Search D14/188, 189, D14/192-198, 207; D32/53, 53.1; 455/344, 347, 350, 351**

FIG. 5 is a right side view thereof;

FIG. 6 is a top plan view of FIG. 1, with the cover and insert tray removed for clarity of illustration;

[56] **References Cited**

FIG. 7 is a top plan view of insert tray of the combined bucket radio and power supply shown separately for clarity of illustration;

U.S. PATENT DOCUMENTS

D. 156,580	12/1949	Swibold	D14/197
D. 220,544	4/1971	Unger	D14/188
D. 312,157	11/1990	Sjolander	D32/53
D. 355,735	2/1995	Shaffer et al.	D32/53
3,541,452	11/1970	Disesa et al.	D14/188 X
3,804,289	4/1974	Churan	D32/53 X

FIG. 8 is a side view of FIG. 7;

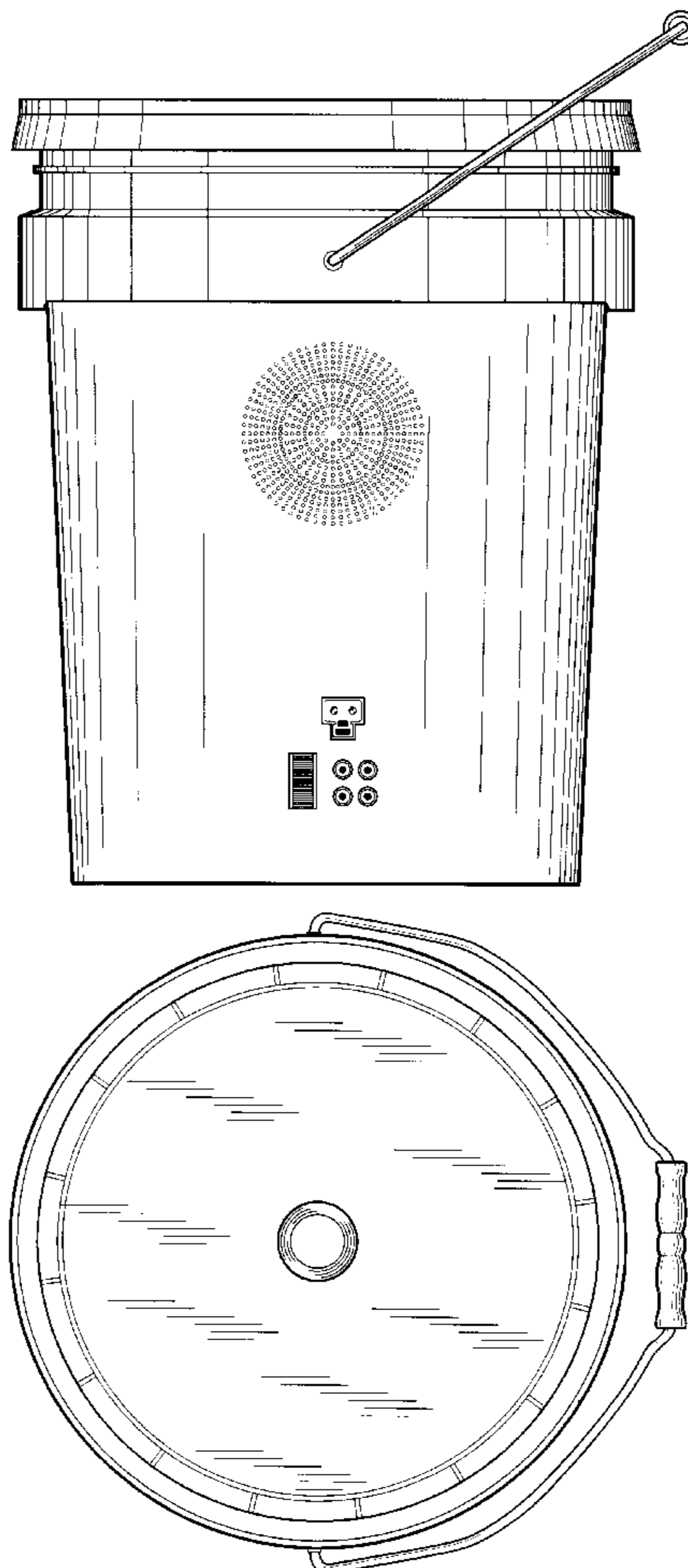
FIG. 9 is a bottom view of FIG. 7; and,

FIG. 10 is a perspective view of the FIGS. 6, 7 and 9, shown separately for clarity of depth and configuration.

The left side is a mirror image of the right side.

Primary Examiner—Ted Shooman
Assistant Examiner—Nanda Bondade

1 Claim, 4 Drawing Sheets



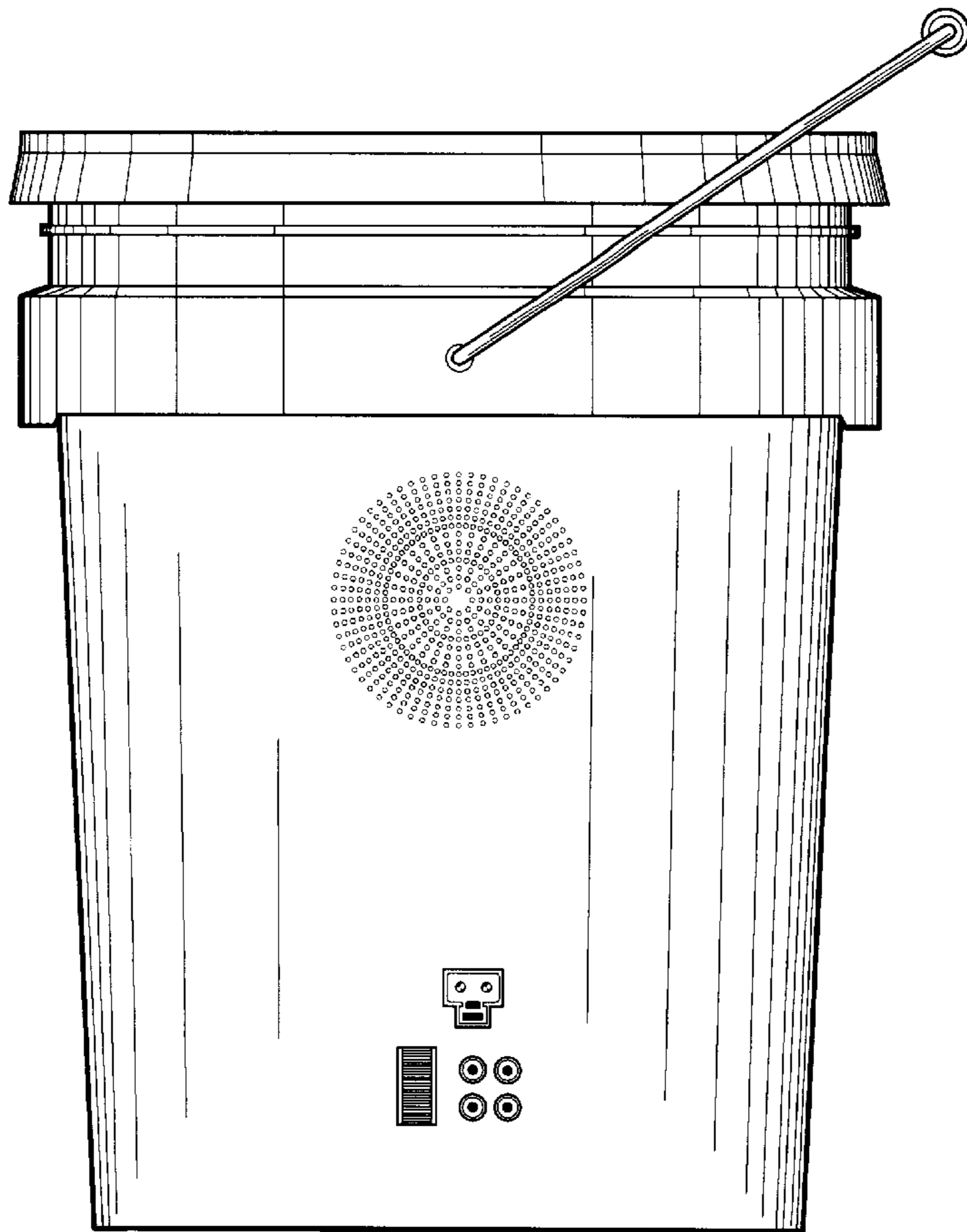


FIG. 1

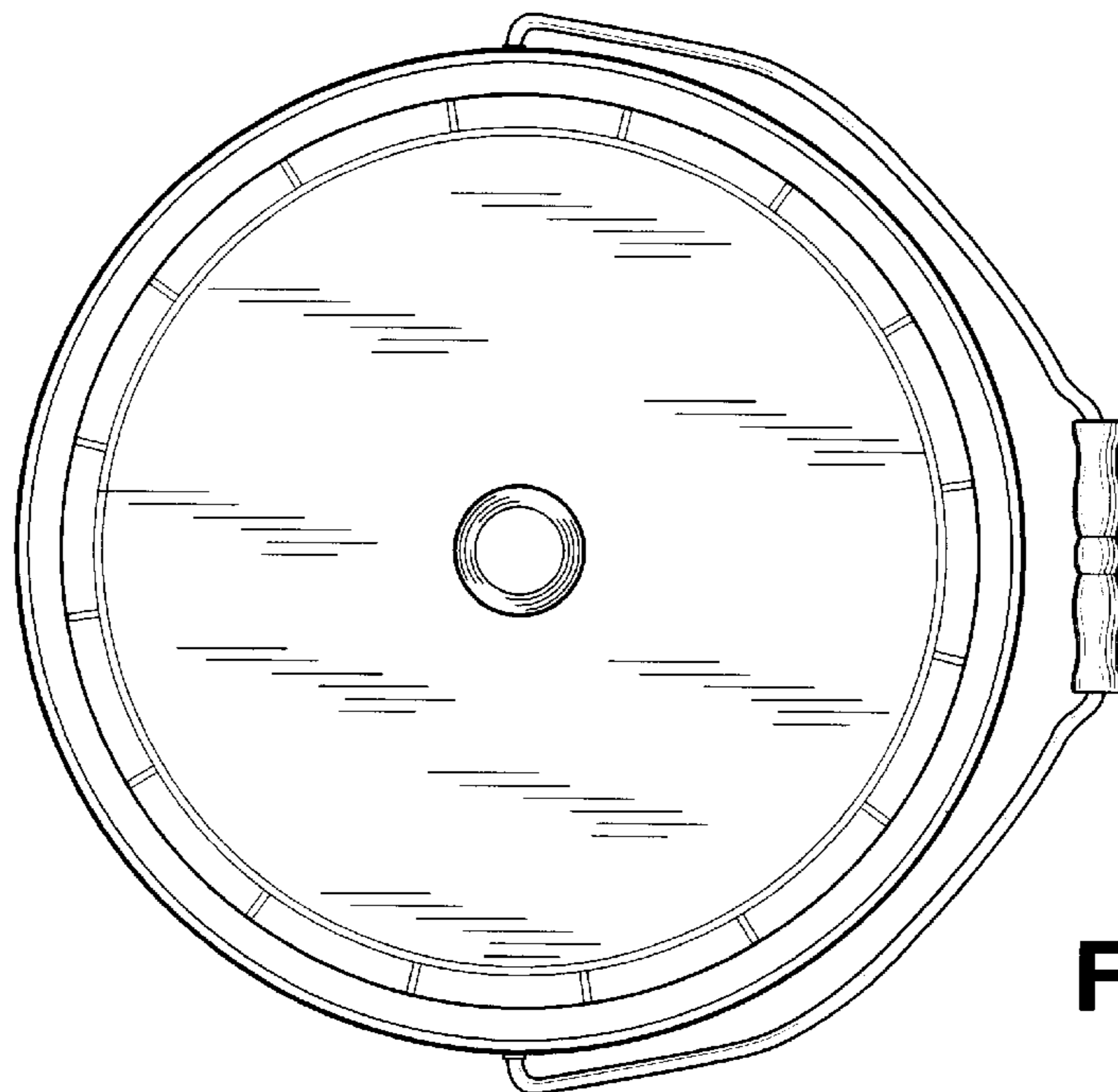


FIG. 2

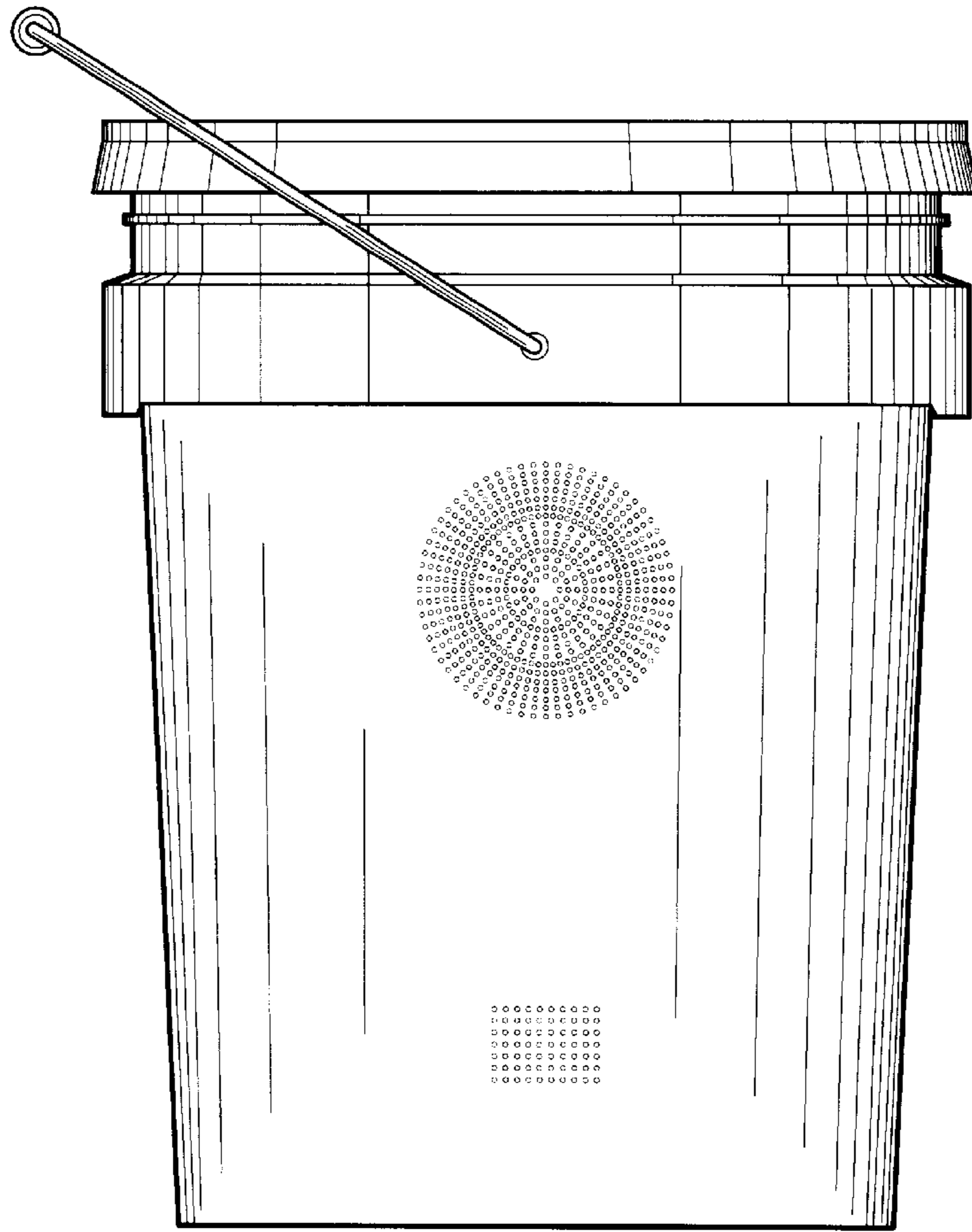


FIG. 3

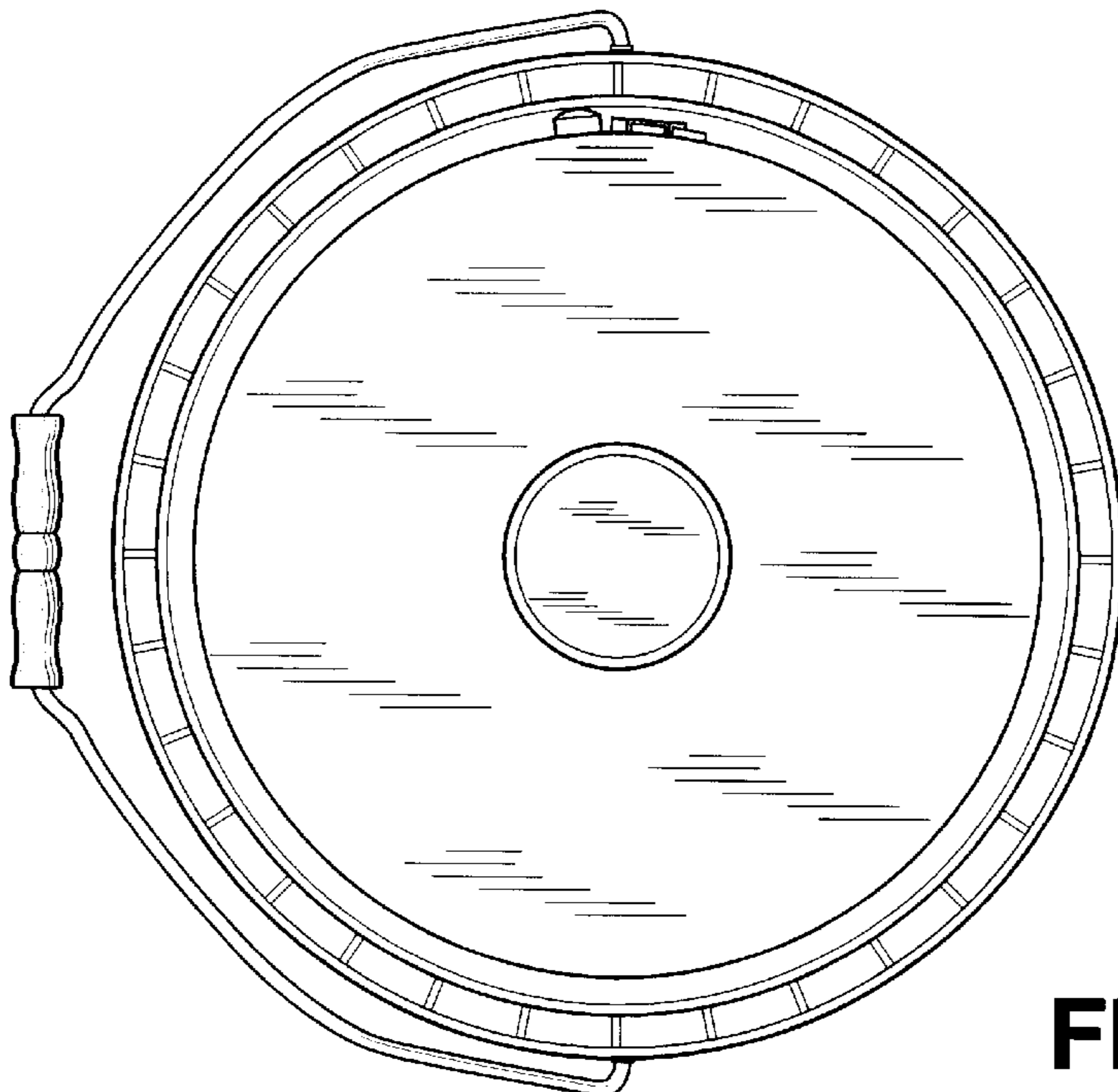


FIG. 4

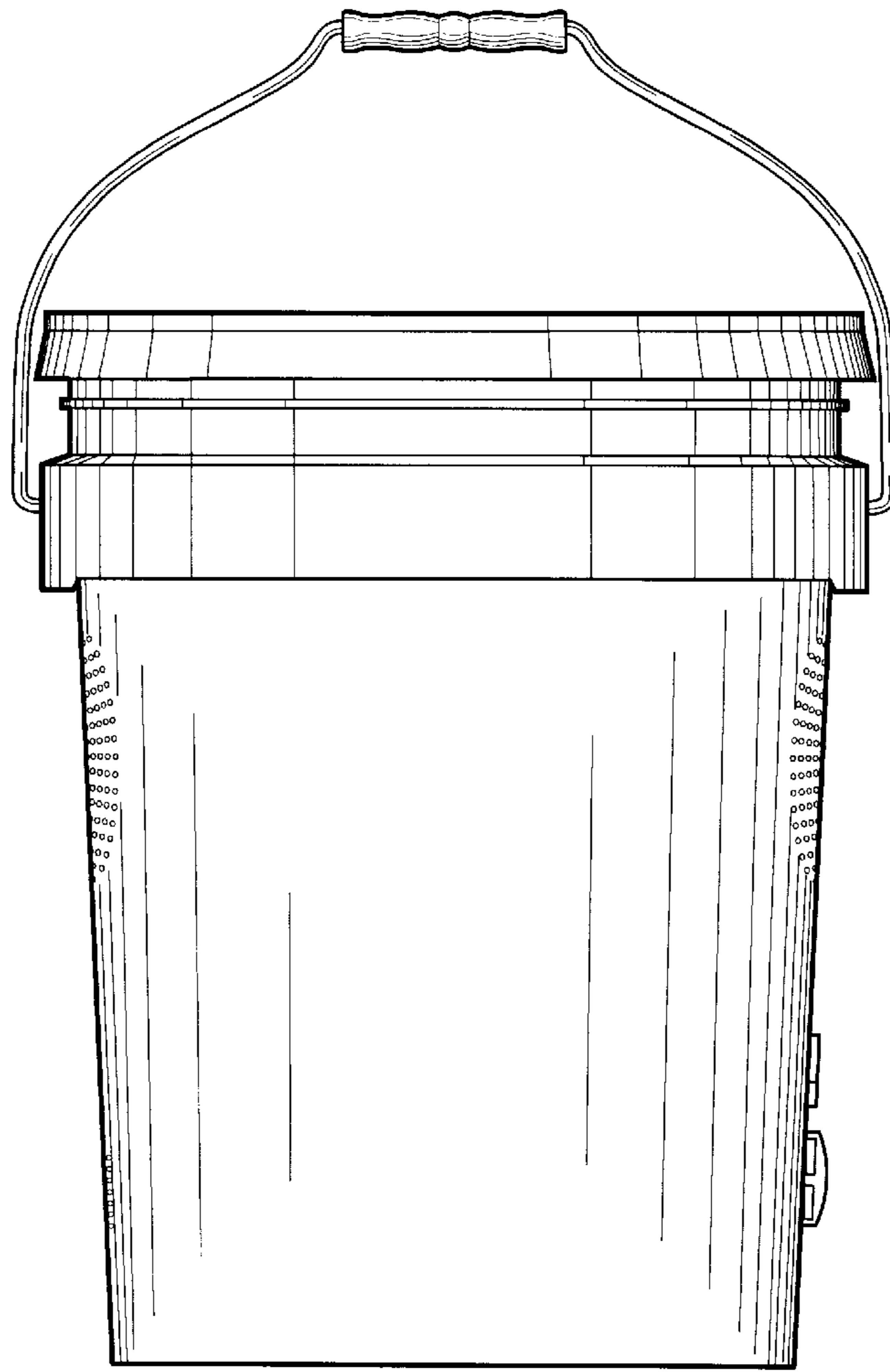


FIG. 5

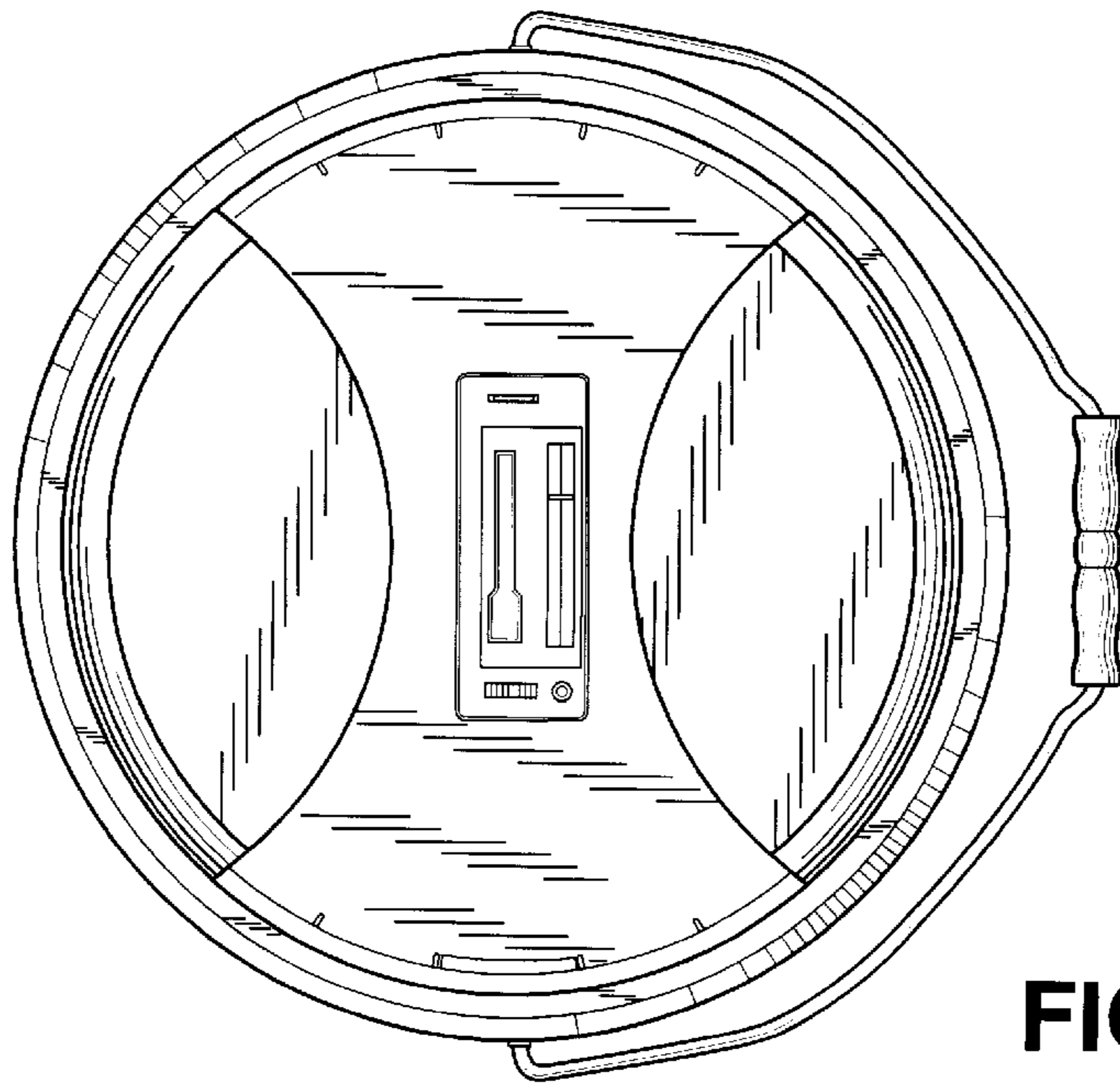


FIG. 6

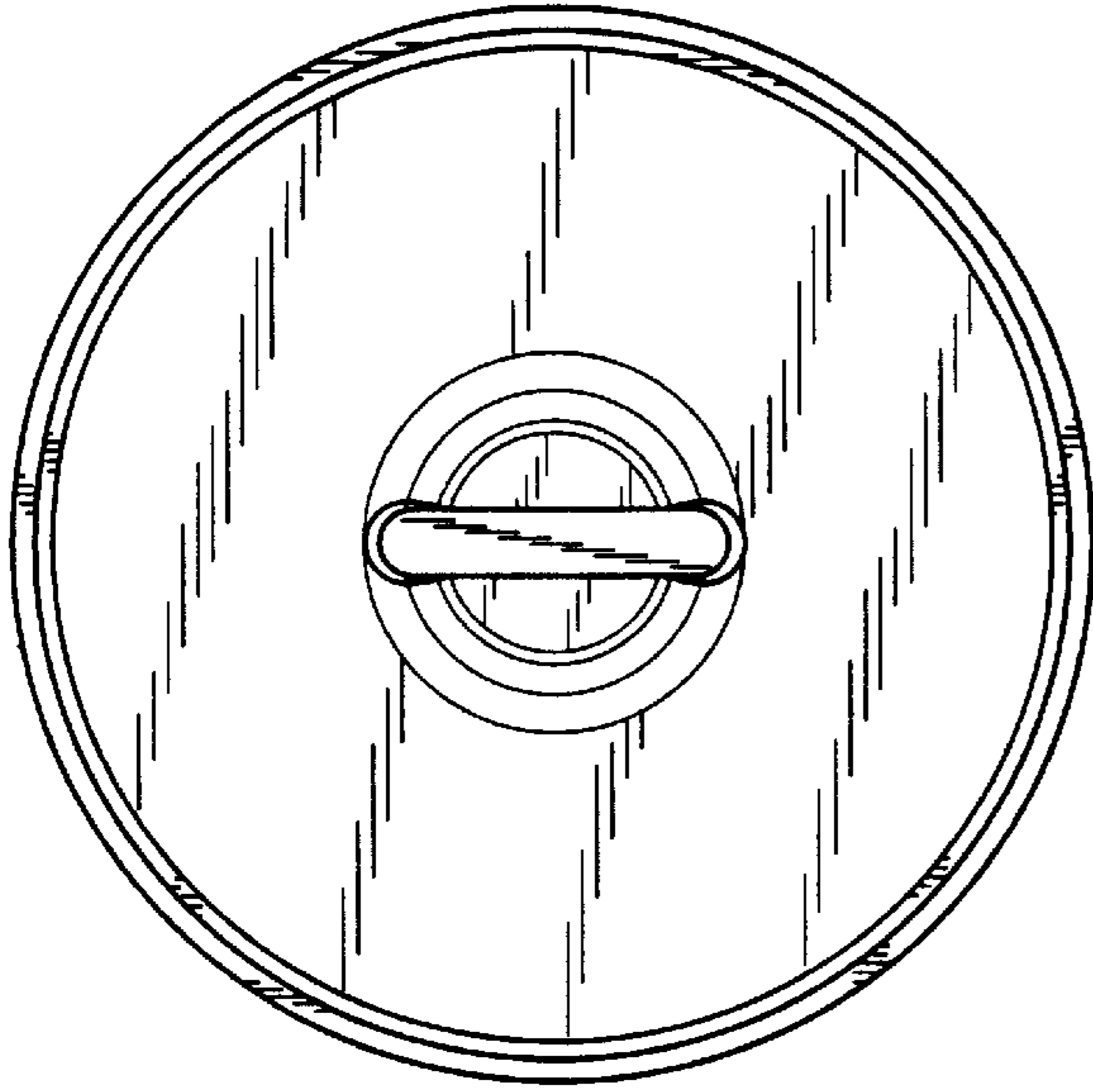


FIG. 7

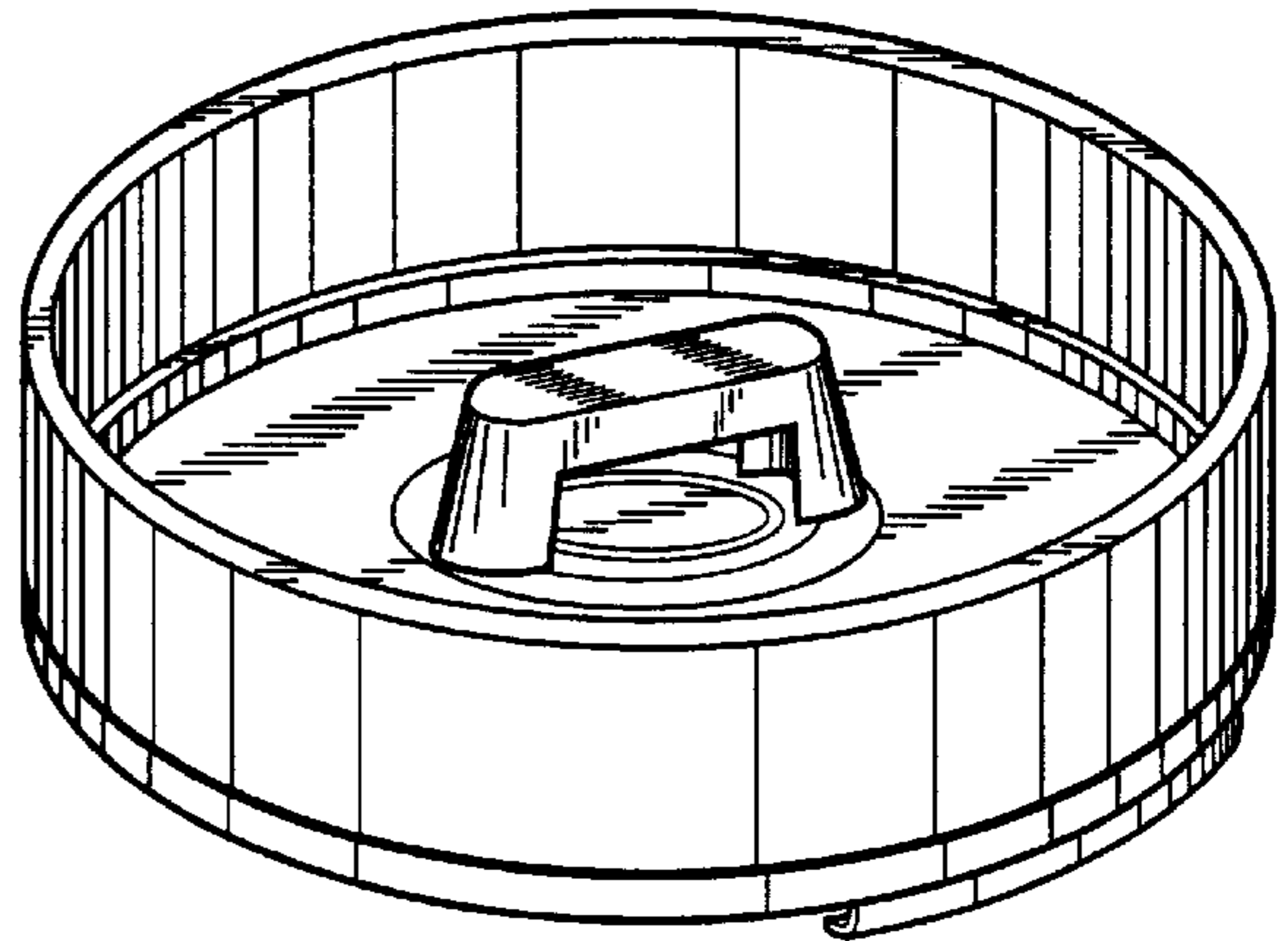


FIG. 10

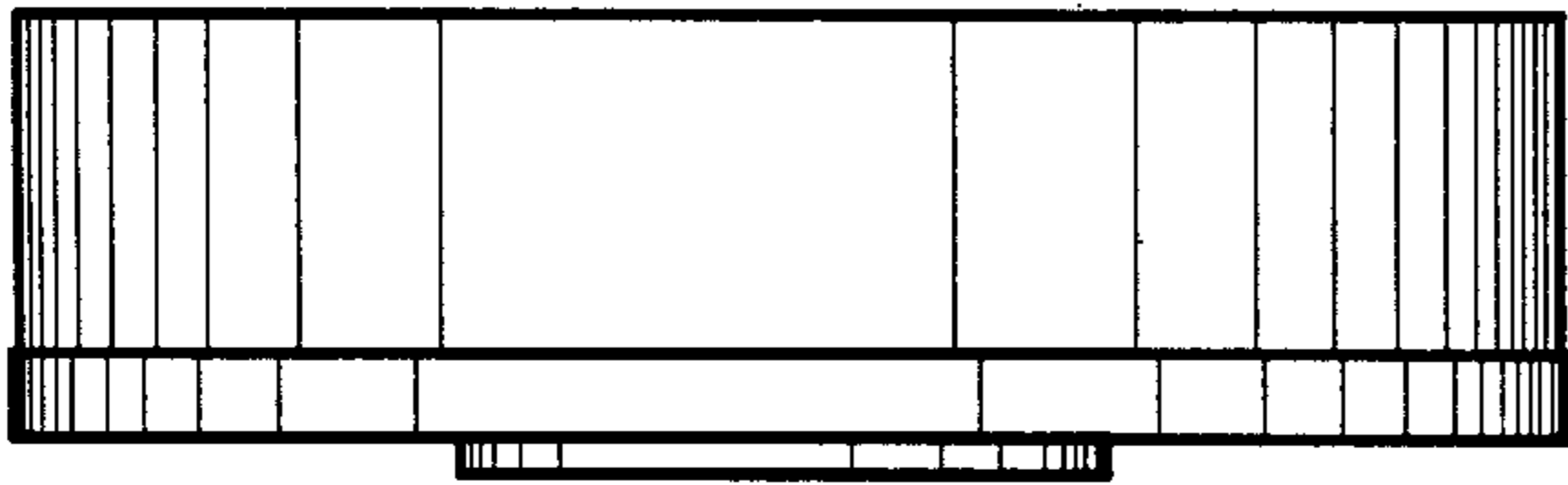


FIG. 8

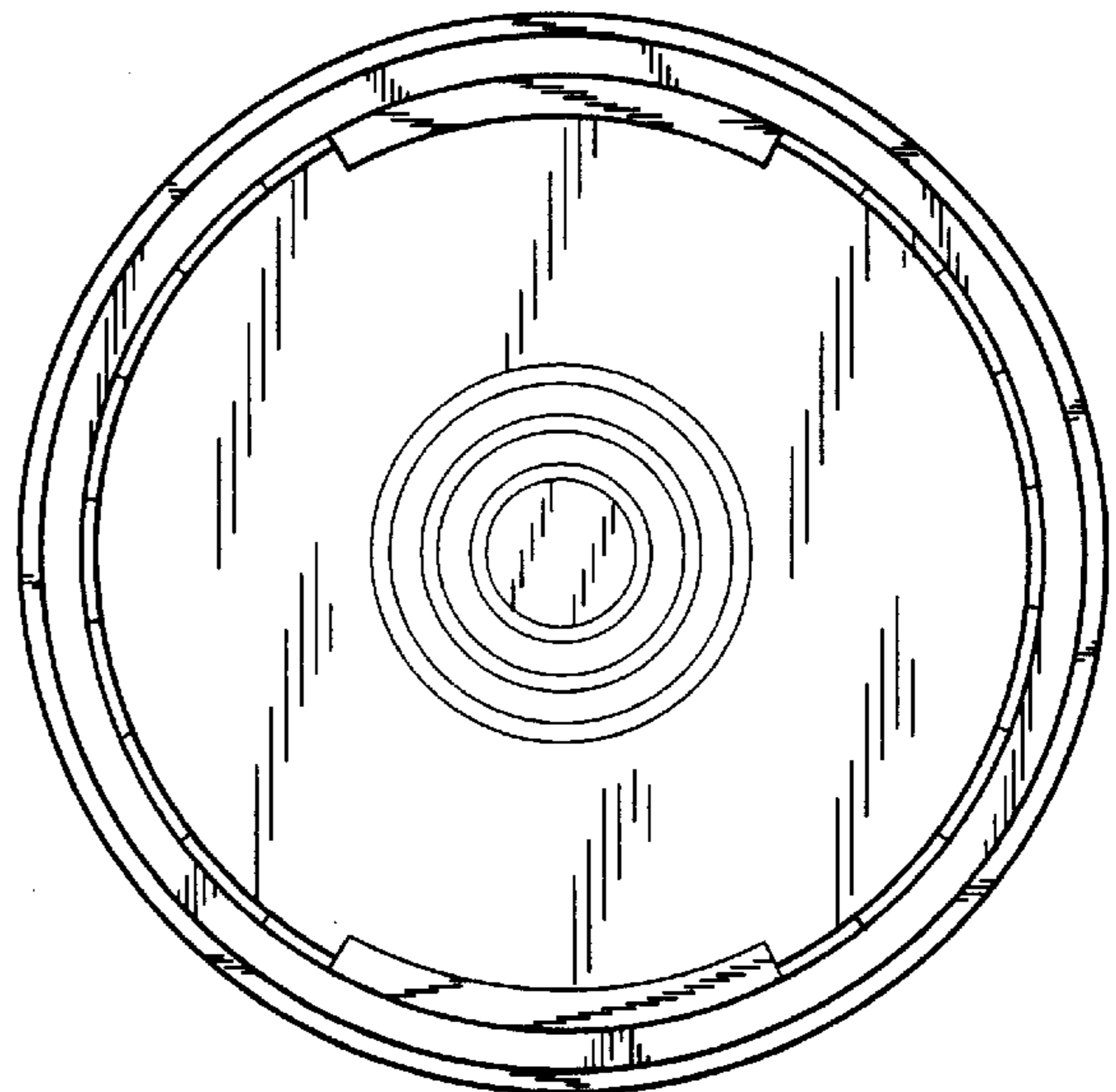


FIG. 9