



US00D402985S

United States Patent [19]

Ho

[11] **Patent Number: Des. 402,985**

[45] **Date of Patent: **Dec. 22, 1998**

[54] **RADIO**

D. 330,710 11/1992 Lee D14/189 X
D. 355,167 2/1995 Barbera et al. D14/100

[75] Inventor: **Joelle Fu Lam Ho**, Kowloon, Hong Kong

OTHER PUBLICATIONS

Video Review, p. 45, IIGS system of Apple II family Jun. 1987.

[73] Assignee: **Hedworth Limited**, Hong Kong

Primary Examiner—Ted Shooman
Assistant Examiner—Nanda Bondade
Attorney, Agent, or Firm—Miller, Sisson, Chapman & Nash, P.C.

[**] Term: **14 Years**

[21] Appl. No.: **71,160**

[22] Filed: **May 22, 1997**

[57] CLAIM

[30] Foreign Application Priority Data

Nov. 25, 1996 [GB] United Kingdom 2061152

The ornamental design for a radio, as shown and described.

[51] **LOC (6) Cl.** **14-03**

DESCRIPTION

[52] **U.S. Cl.** **D14/189; D14/113**

FIG. 1 is a front elevational view of a radio showing my new design;

[58] **Field of Search** D14/100, 188,
D14/189, 193-198; 455/344, 347, 350,
351

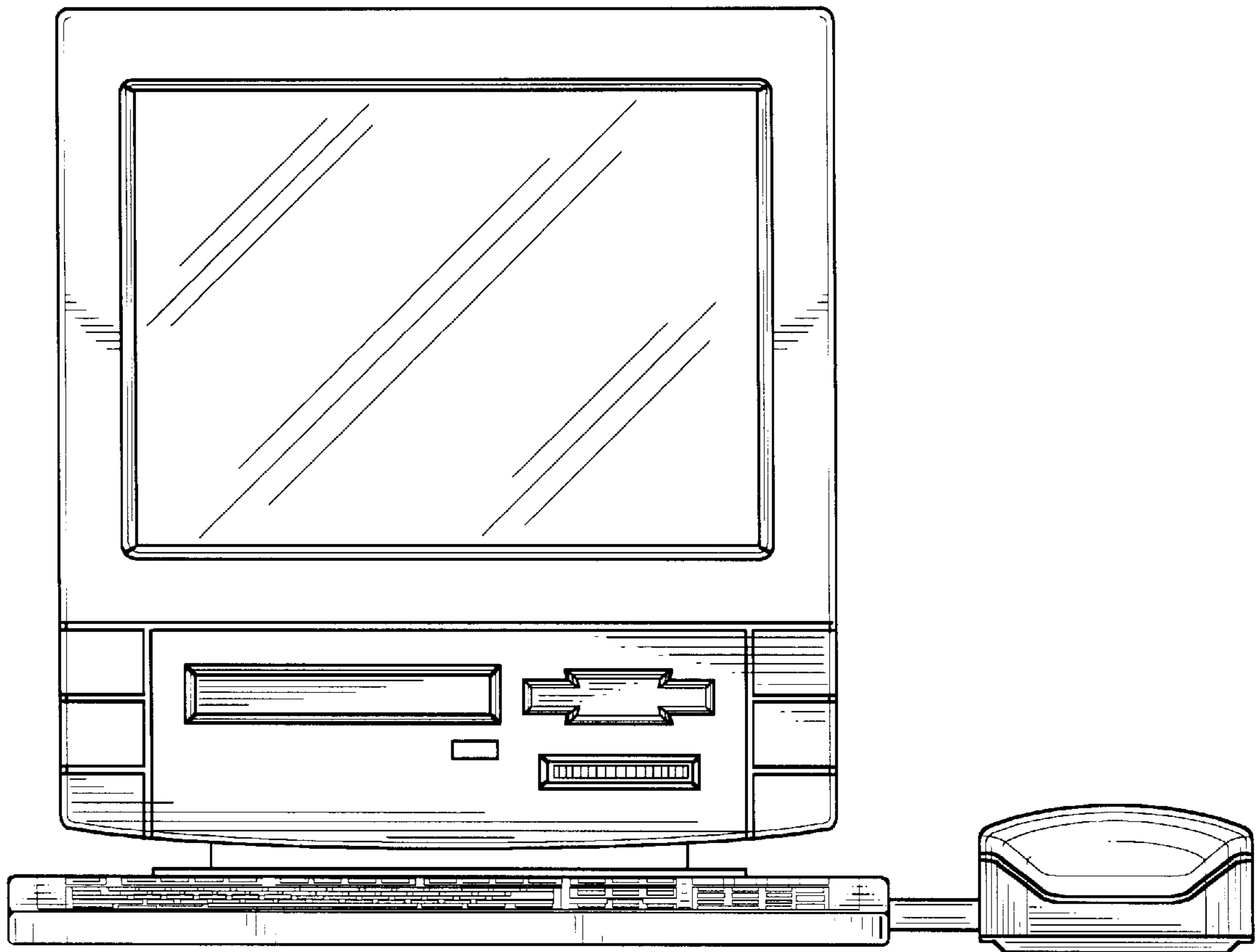
FIG. 2 is a rear elevational view thereof;
FIG. 3 is a left side elevational view thereof;
FIG. 4 is a right side elevational view thereof;
FIG. 5 is a top plan view thereof; and,
FIG. 6 is a bottom plan view thereof.

[56] References Cited

U.S. PATENT DOCUMENTS

D. 91,497 2/1934 Raffetto D14/189

1 Claim, 6 Drawing Sheets



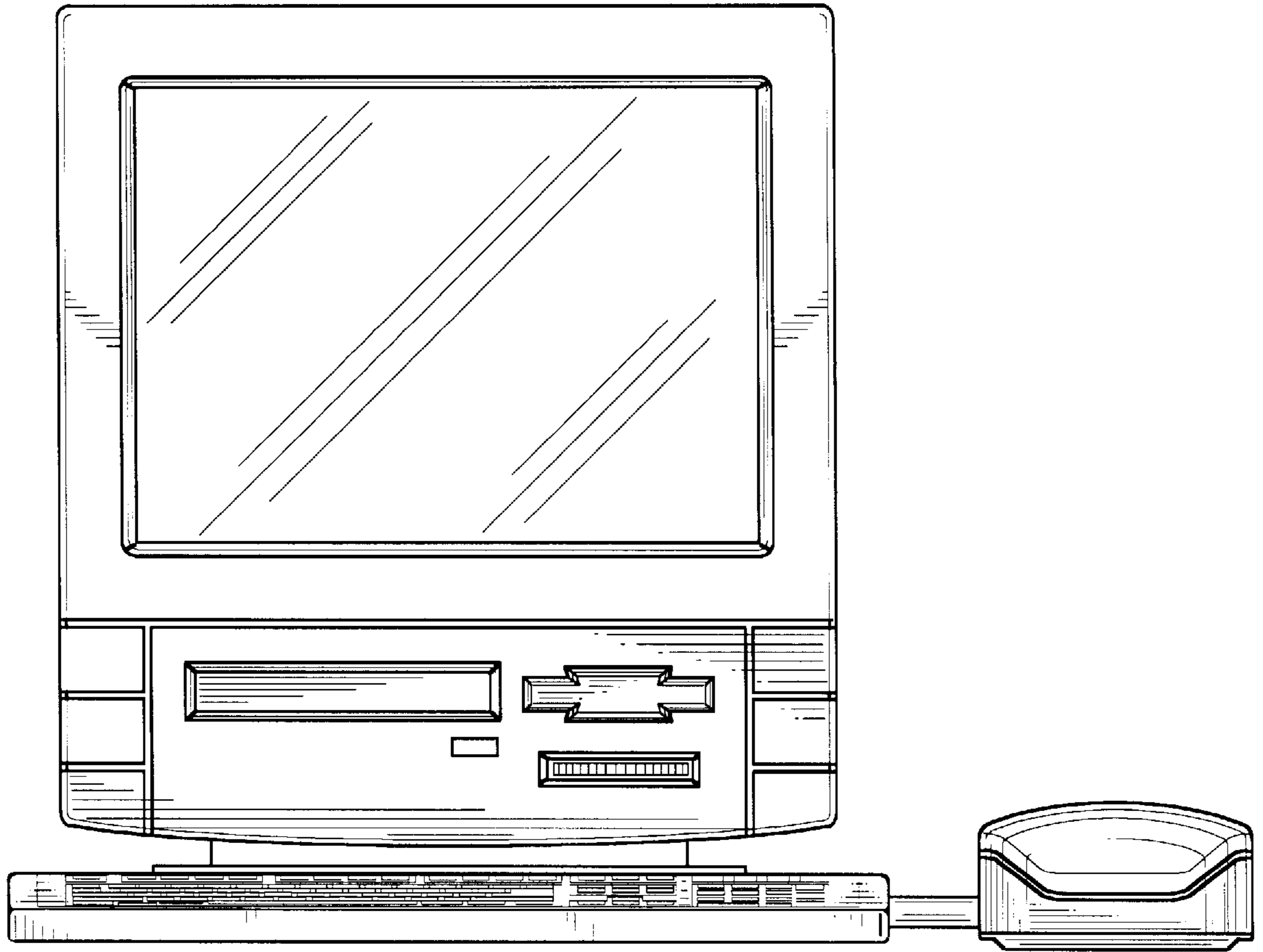


Fig. 1

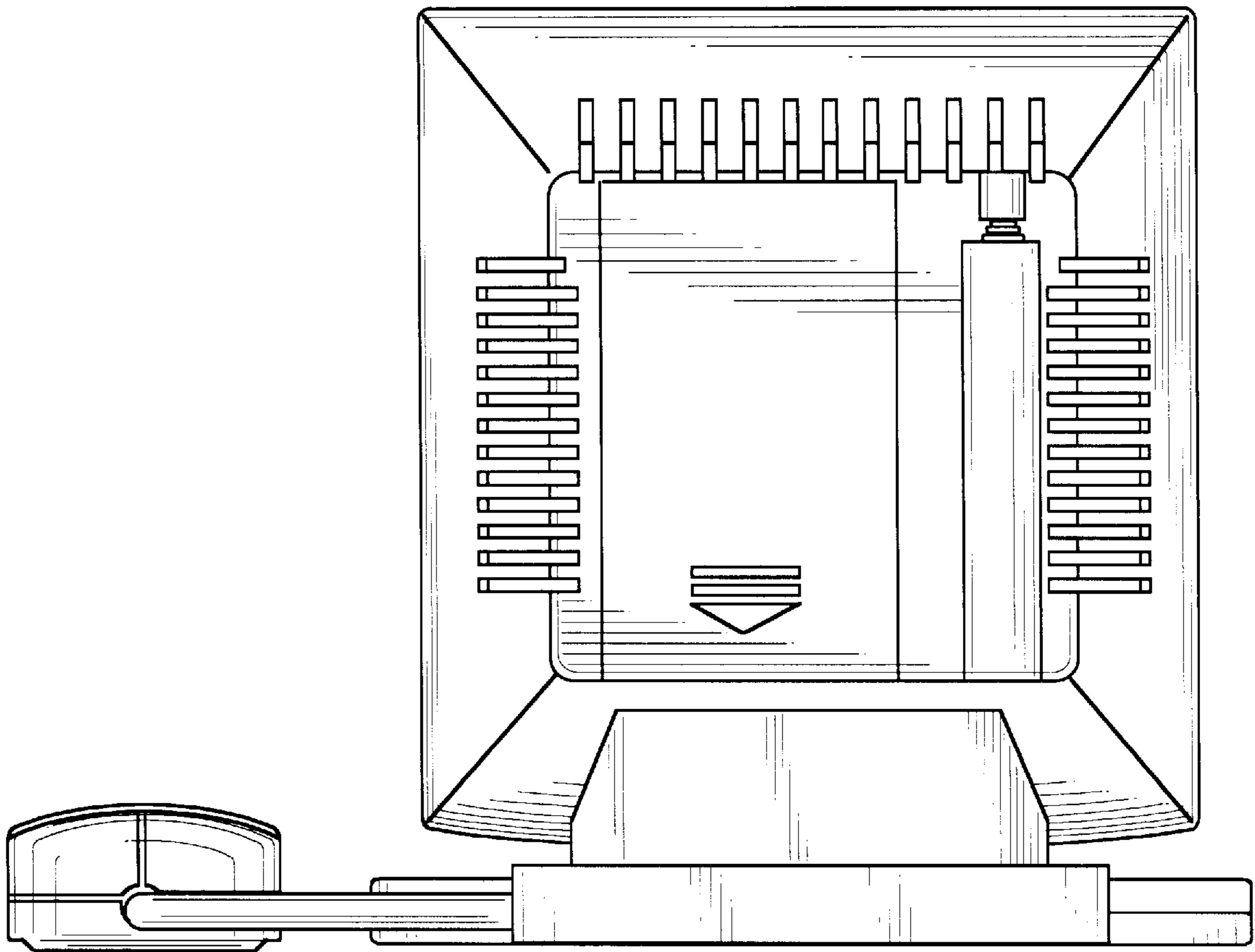


Fig. 2

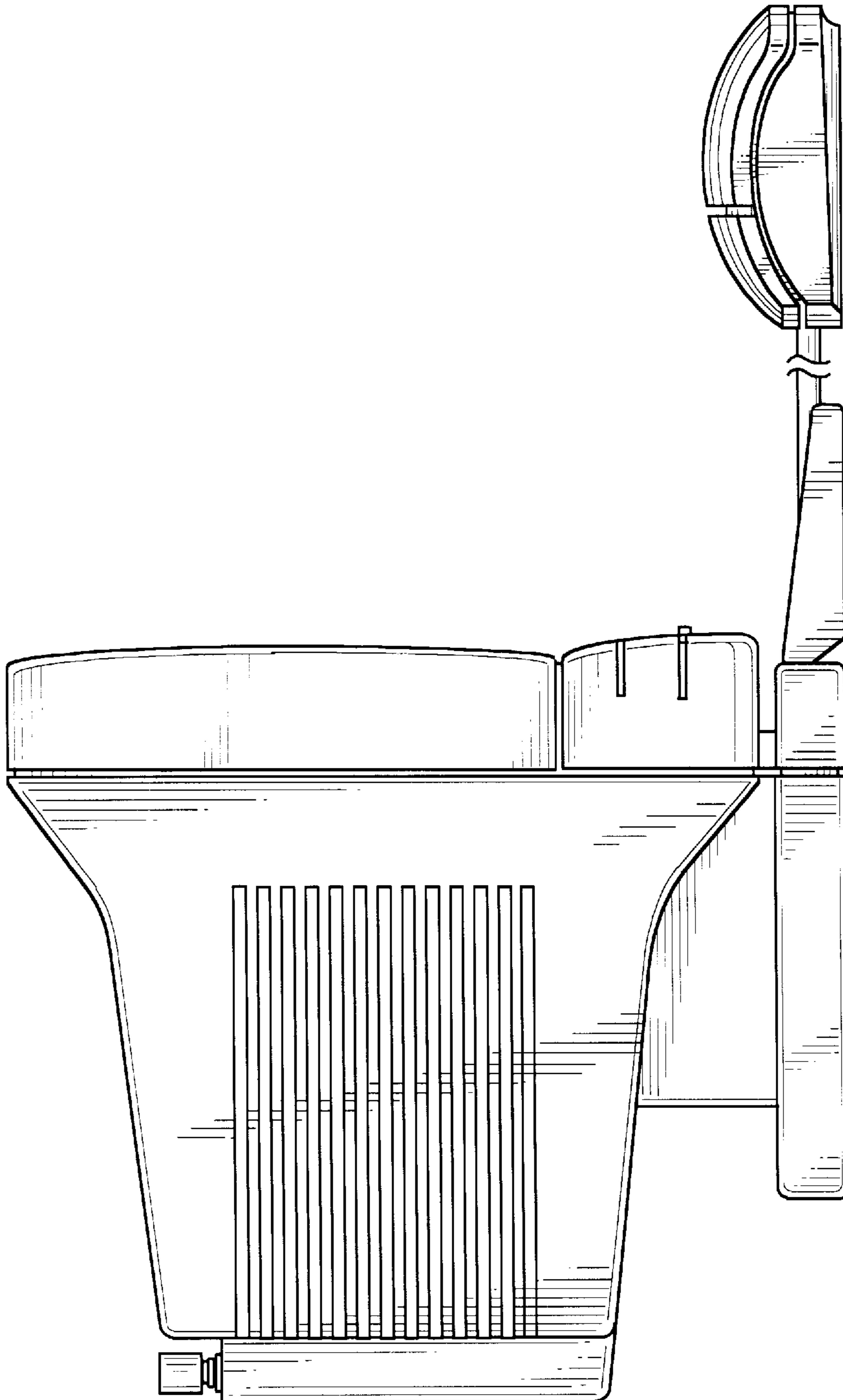


Fig. 3

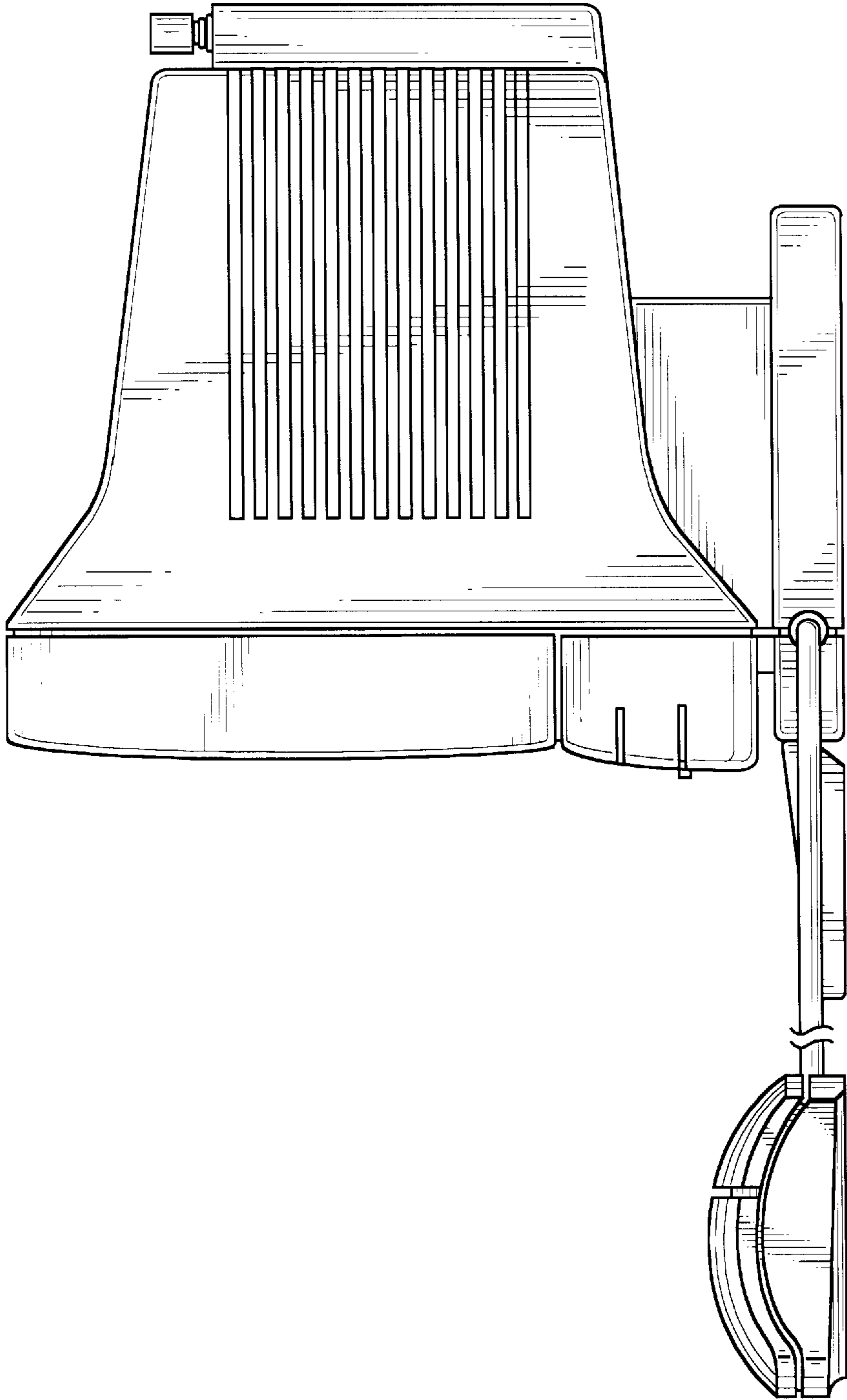


Fig. 4

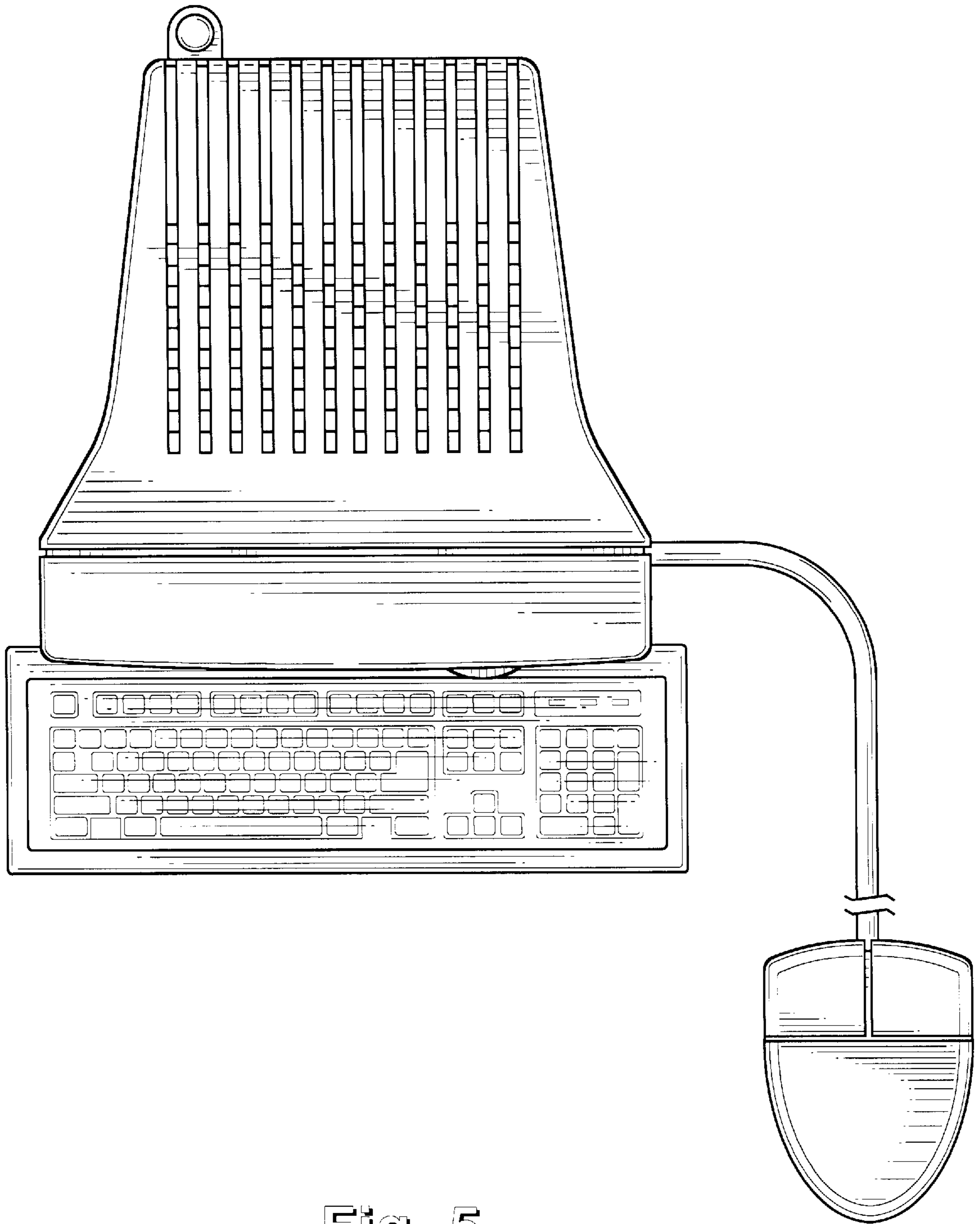


Fig. 5

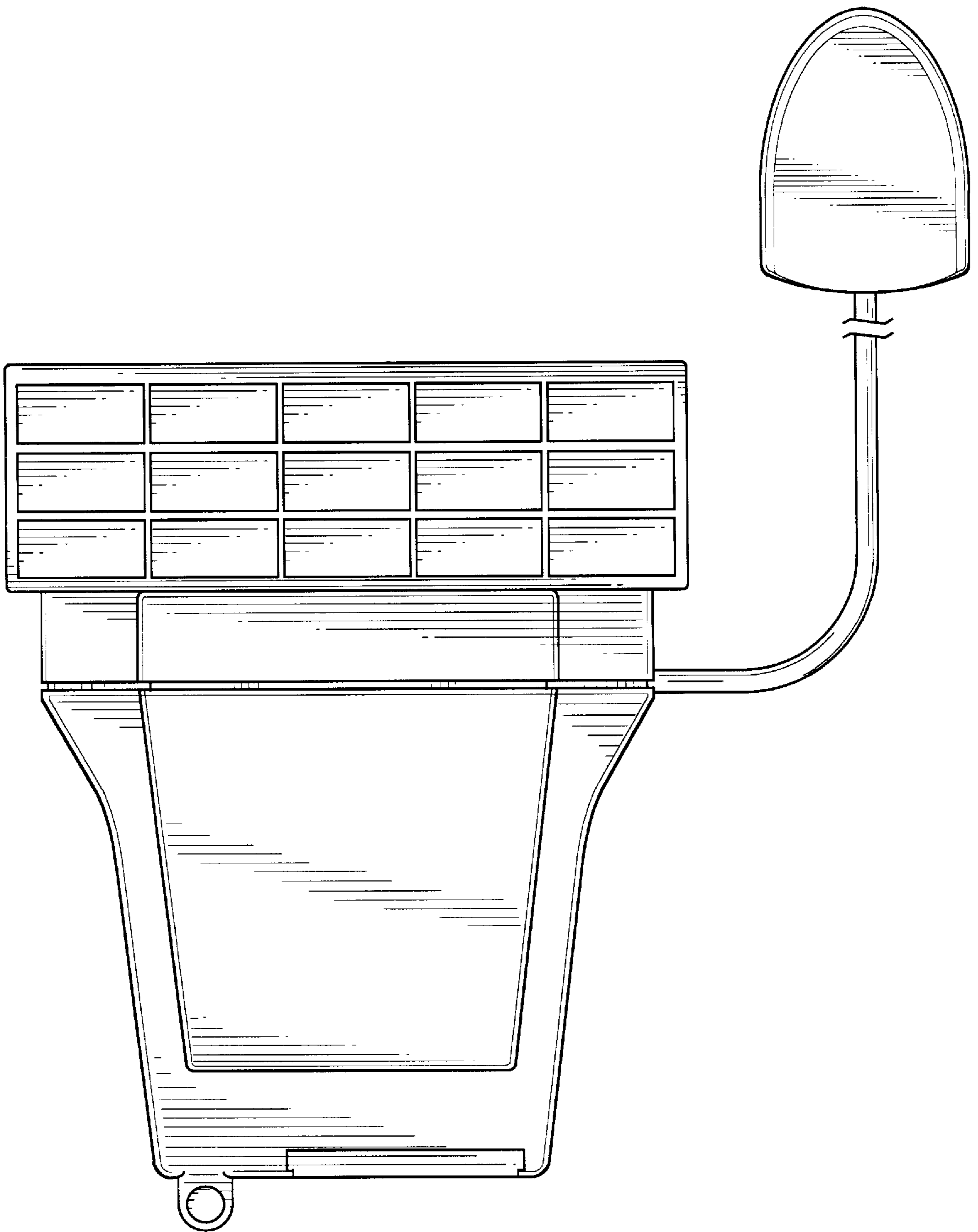


Fig. 6