



US00D402977S

United States Patent [19] Lytel

[11] **Patent Number: Des. 402,977**

[45] **Date of Patent: **Dec. 22, 1998**

[54] **TELEPHONE BASE**

5,369,700 11/1994 Watanabe et al. 379/387

[75] Inventor: **Ronald Leroy Lytel**, Indianapolis, Ind.

Primary Examiner—Jeffrey Asch
Attorney, Agent, or Firm—Woodard, Emhart, Naughton,
Moriarty & McNett

[73] Assignee: **Thomson Consumer Electronics, Inc.**,
Indianapolis, Ind.

[**] Term: **14 Years**

[57] **CLAIM**

The ornamental design for a telephone base, as shown and described.

[21] Appl. No.: **82,489**

DESCRIPTION

[22] Filed: **Jan. 23, 1998**

[51] **LOC (6) Cl.** **14-03**

FIG. 1 is a front elevational view of a telephone base showing my new design;

[52] **U.S. Cl.** **D14/130; D14/101; D14/151**

FIG. 2 is a rear elevational view thereof;

[58] **Field of Search** D14/101, 107,
D14/114, 130, 140, 142, 148–151, 240,
241, 144; 379/419, 420, 428, 440, 434–436

FIG. 3 is a right side elevational view thereof;

FIG. 4 is a left side elevational view thereof;

FIG. 5 is a top plan view thereof;

FIG. 6 is a bottom plan view thereof; and,

FIG. 7 is a front, right side, and top perspective view thereof; and,

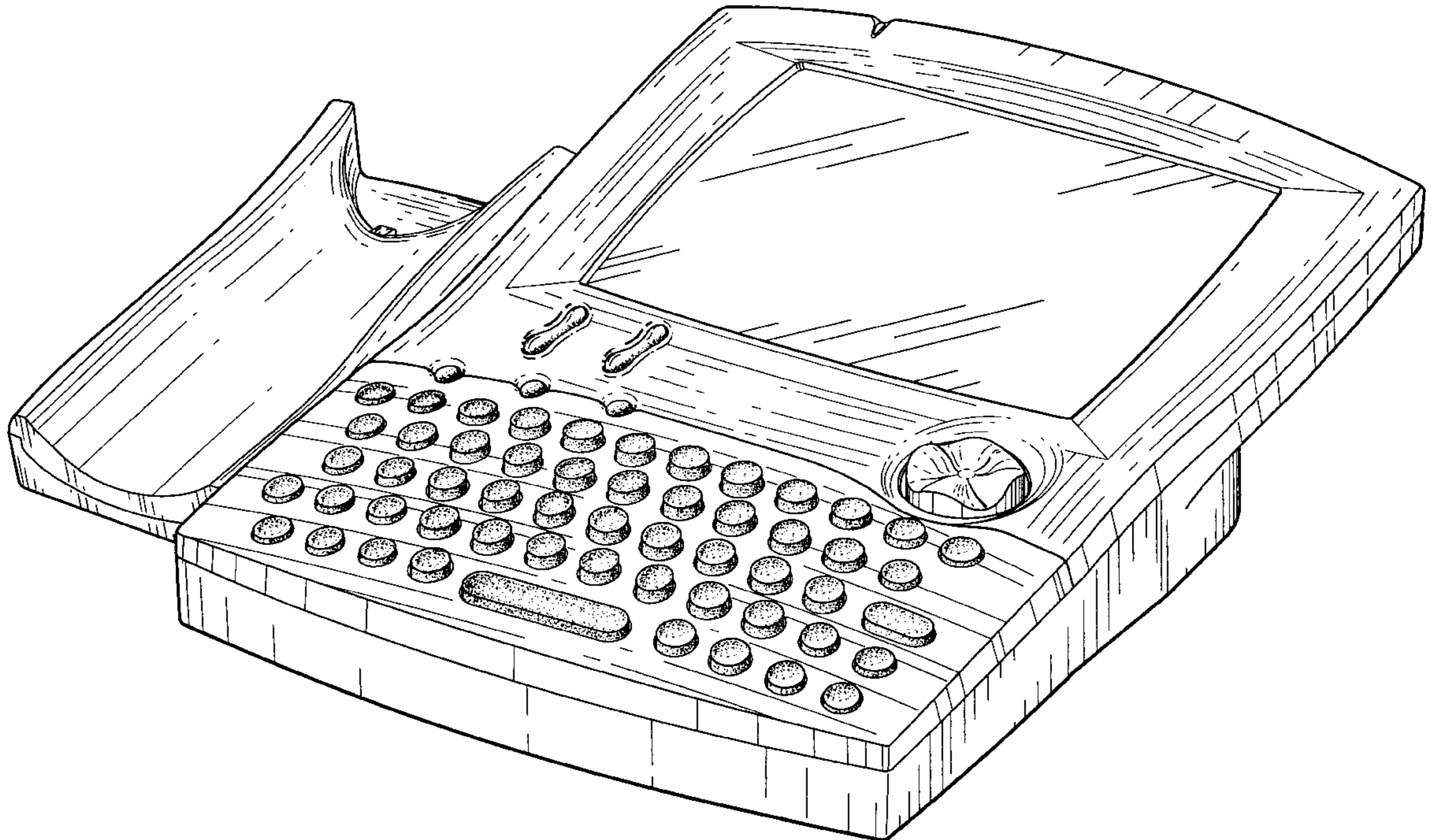
[56] **References Cited**

U.S. PATENT DOCUMENTS

D. 294,250	2/1988	Watanabe et al.	D14/130
D. 304,564	11/1989	Kido et al.	D14/142
D. 328,076	7/1992	Hagiwara	D14/241
D. 372,225	7/1996	Martino et al.	D14/101
D. 373,346	9/1996	Hwang	D14/101
D. 381,981	8/1997	Johansson	D14/151

FIG. 8 is a front, right side, and top perspective view of the telephone base of FIG. 1, the broken line showing being for illustrative purposes only and forming no part of the claimed design.

1 Claim, 5 Drawing Sheets



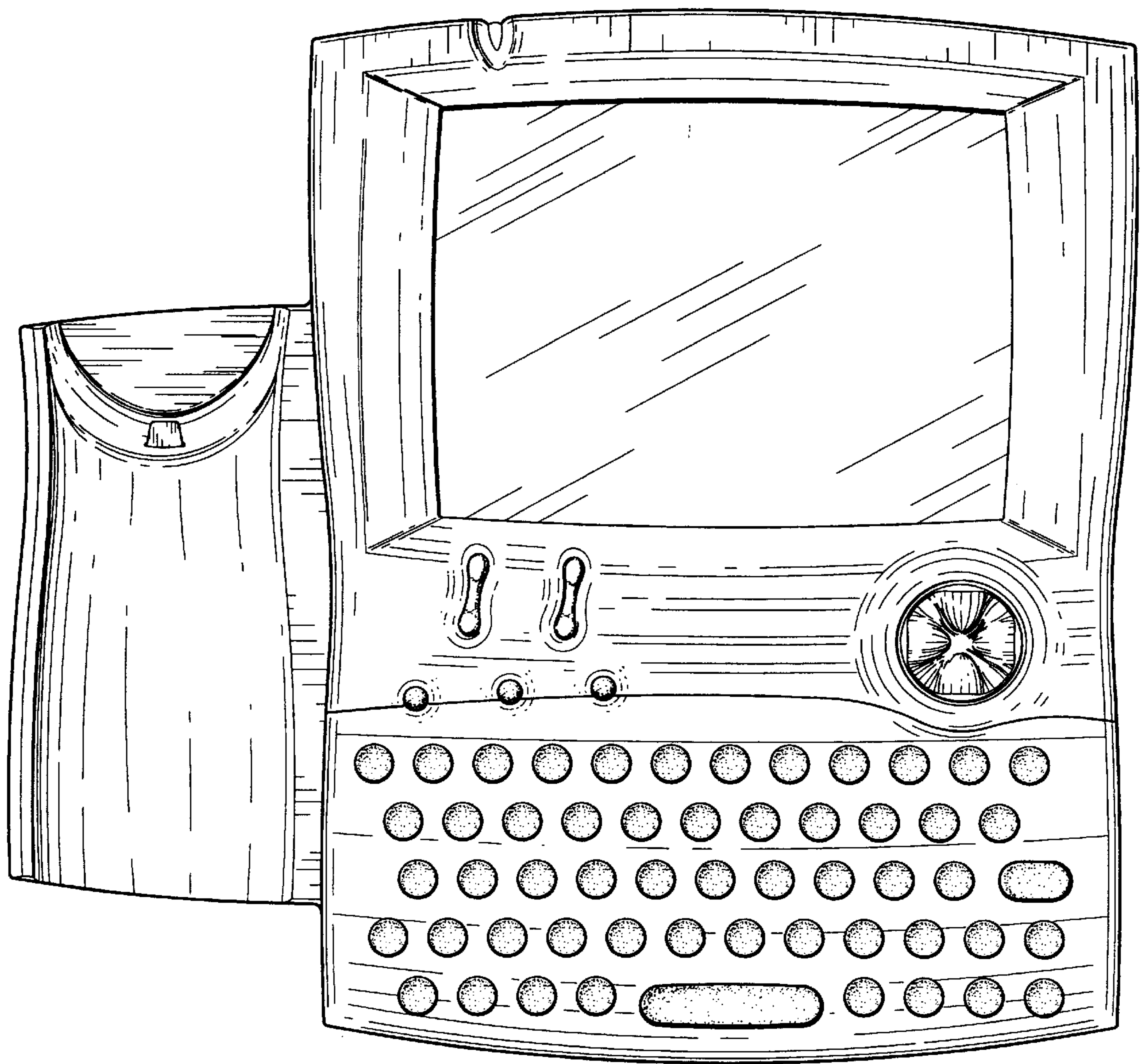


Fig. 5

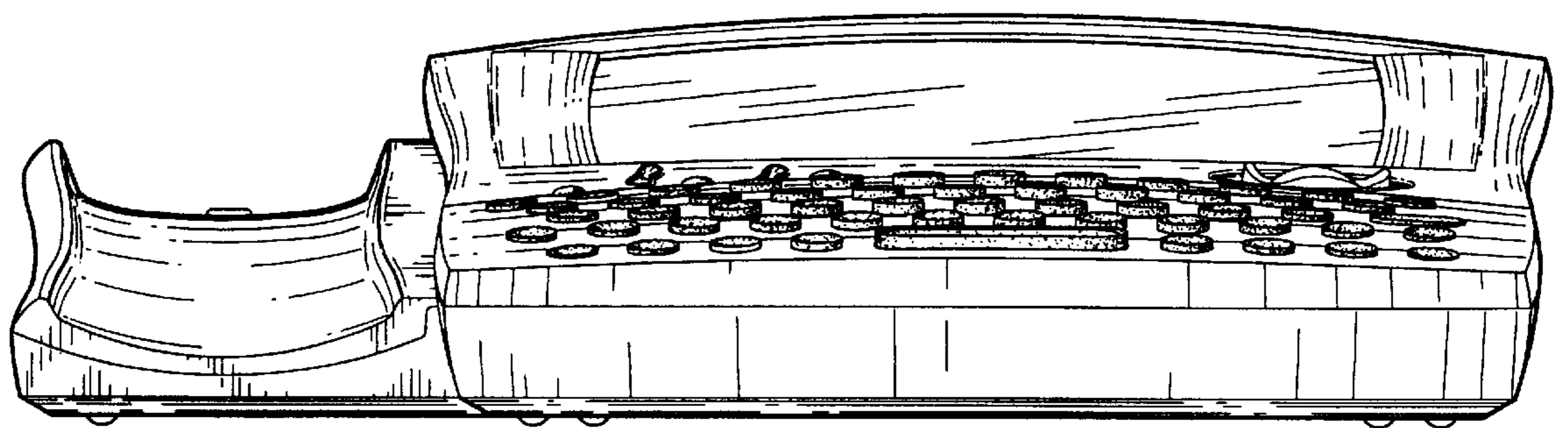


Fig. 1

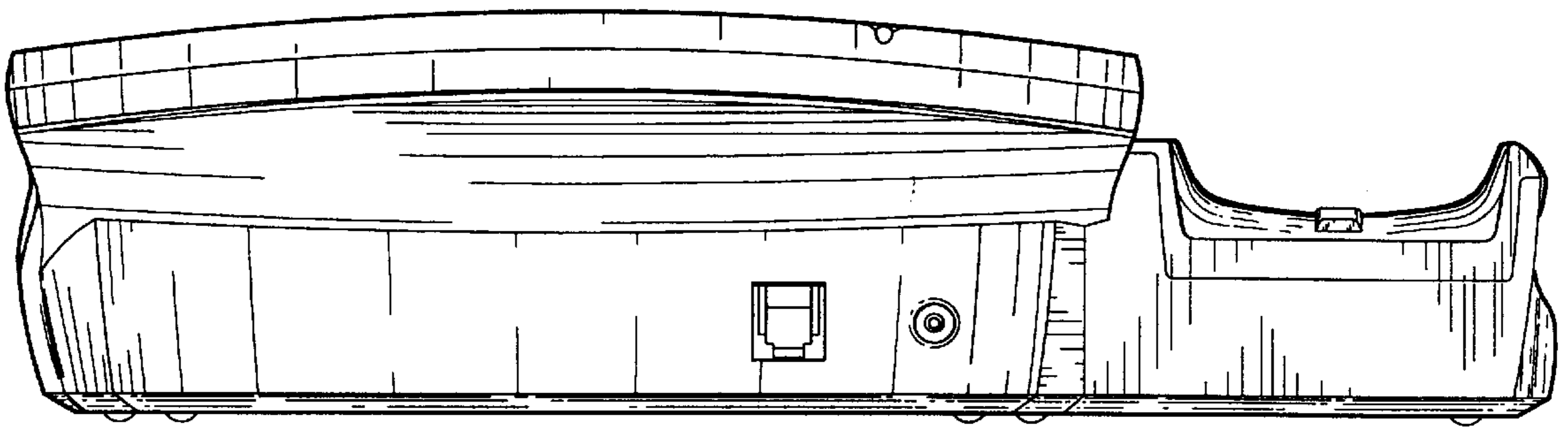


Fig. 2

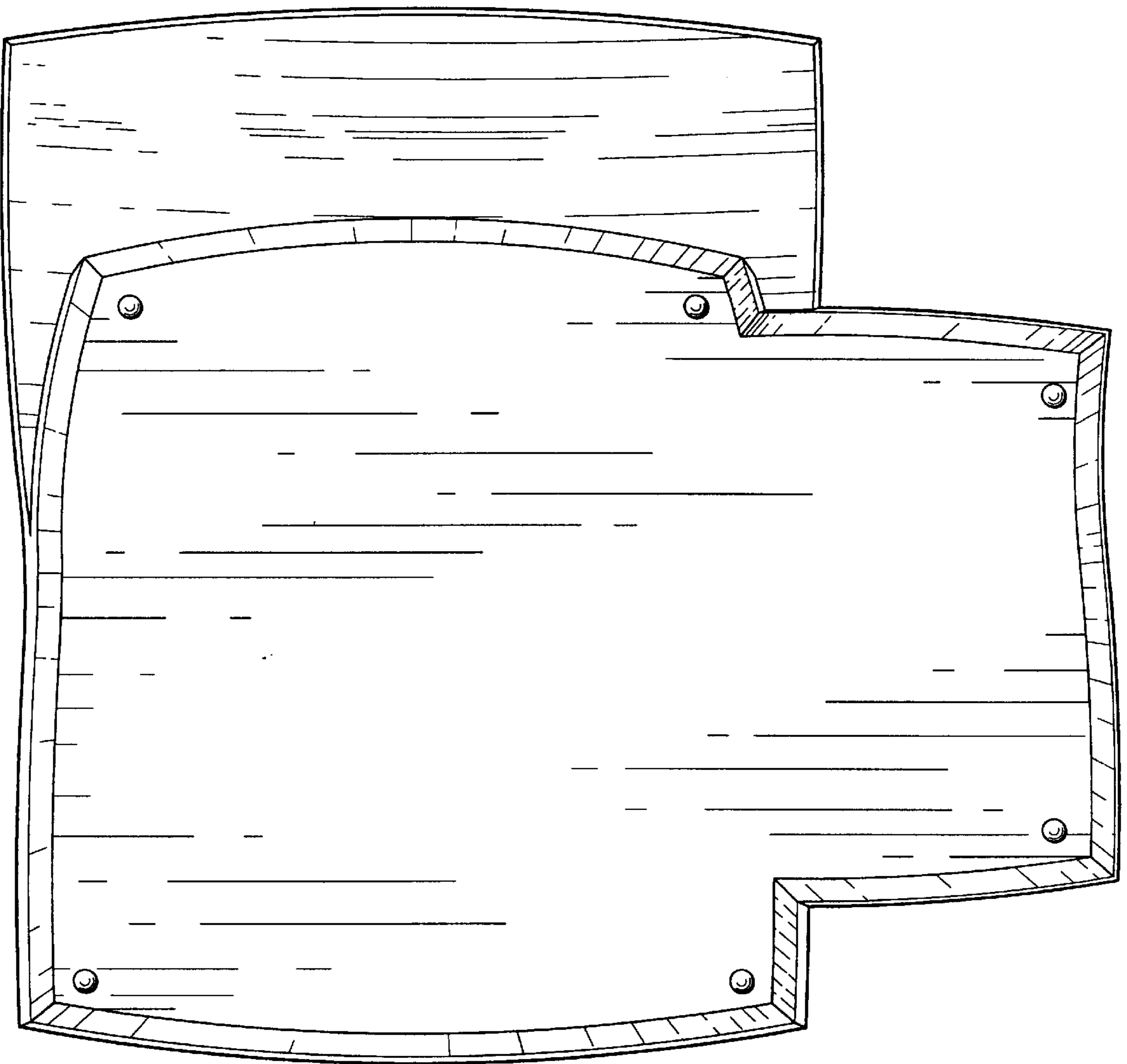


Fig. 6

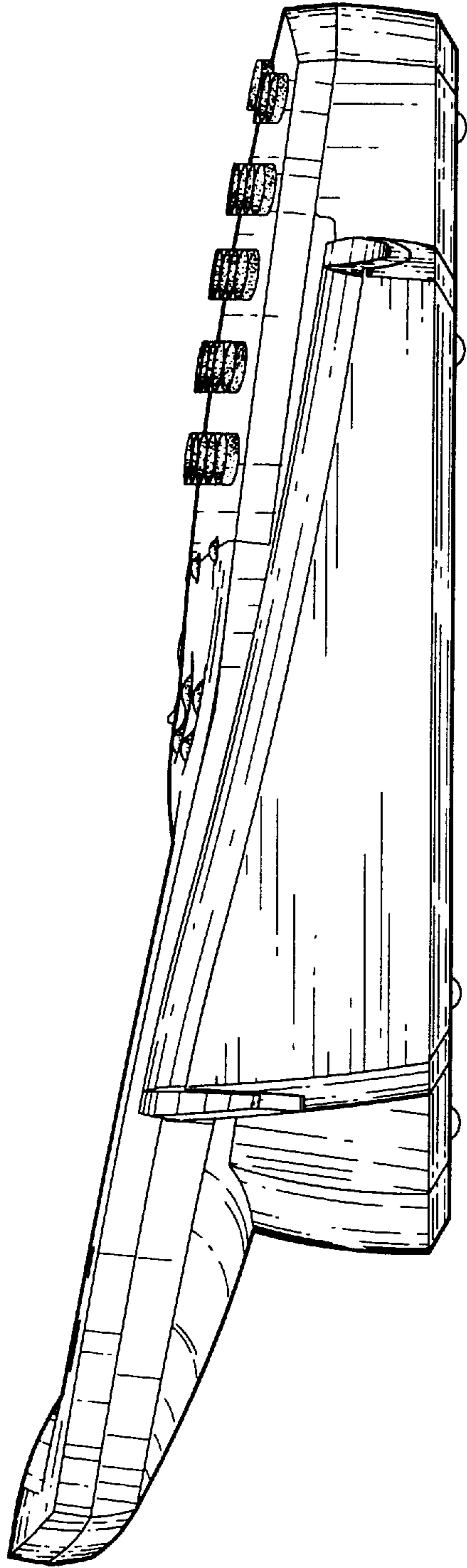


Fig. 4

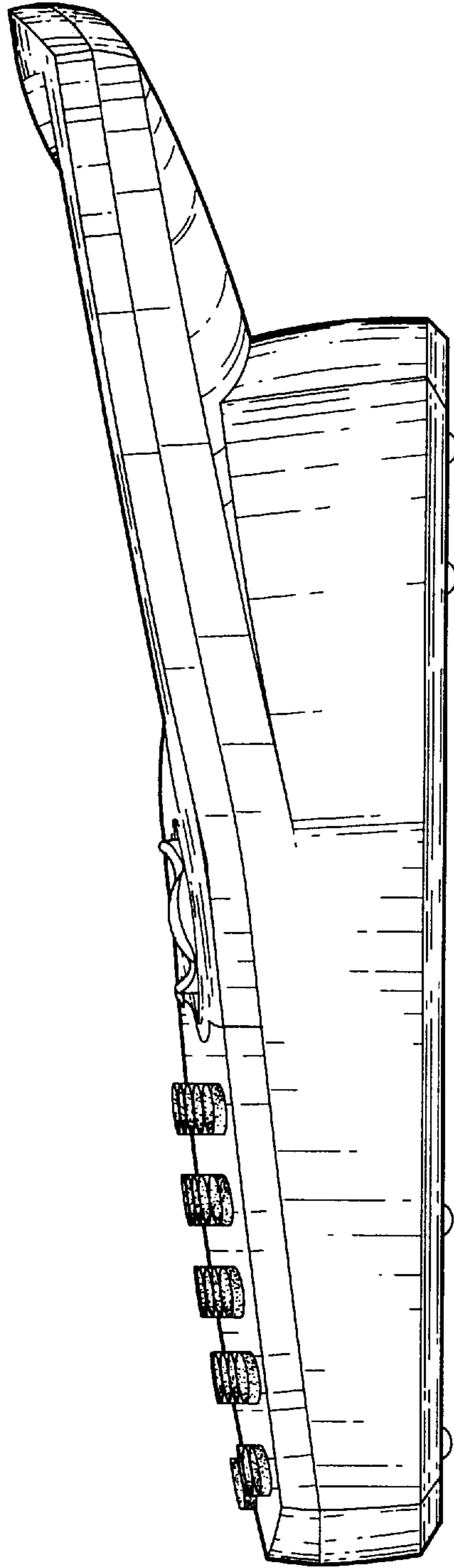


Fig. 3

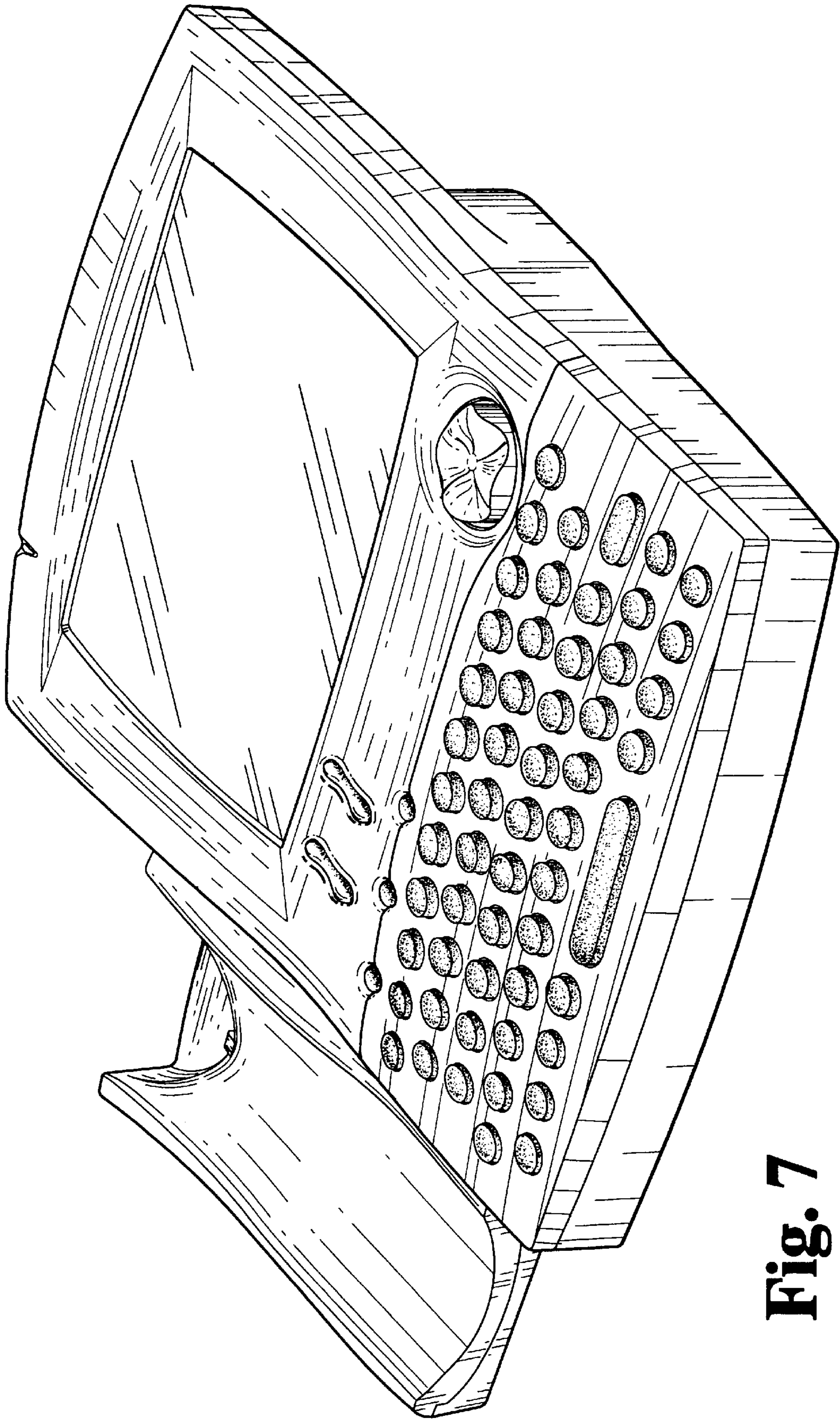


Fig. 7

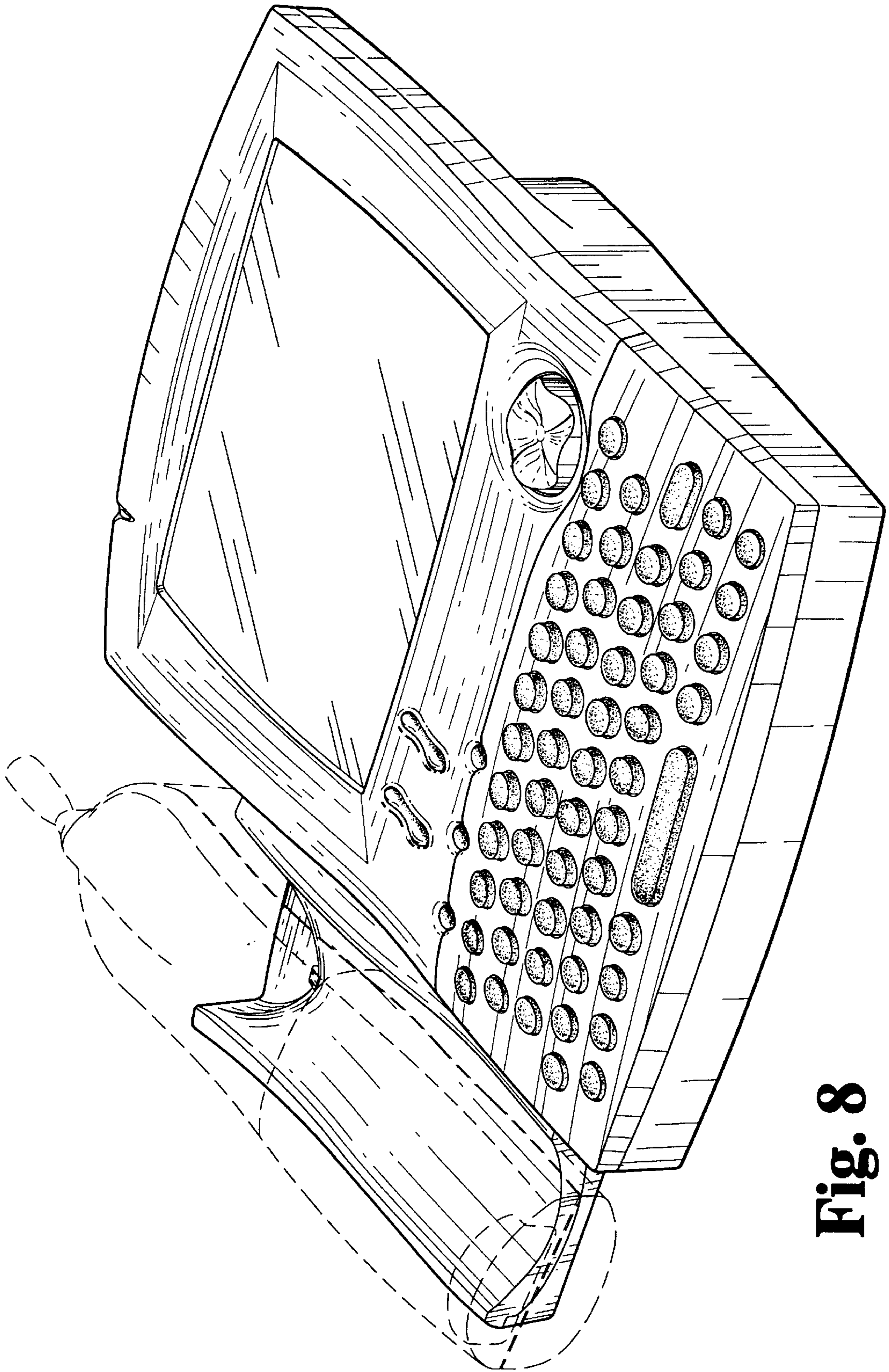


Fig. 8