



US00D402971S

**United States Patent** [19]  
**Kirchhoff et al.**

[11] **Patent Number: Des. 402,971**  
[45] **Date of Patent: \*\*Dec. 22, 1998**

[54] **KEYBOARD SUPPORT ASSEMBLY**

[75] Inventors: **Kenneth J. Kirchhoff**, Gem Lake;  
**Robert J. Wolf**, Woodbury, both of  
Minn.; **Lawrence J. Fenske**; **Manfred**  
**W. Suhr**, both of Oregon, Wis.

[73] Assignee: **Minnesota Mining and**  
**Manufacturing Company**, St. Paul,  
Minn.

[\*\*] Term: **14 Years**

[21] Appl. No.: **74,971**

[22] Filed: **Aug. 15, 1997**

**Related U.S. Application Data**

[62] Division of Ser. No. 50,543, Jan. 16, 1996, Pat. No. Des.  
387,744.

[51] **LOC (6) Cl.** ..... **14-02**

[52] **U.S. Cl.** ..... **D14/114**

[58] **Field of Search** ..... D14/100, 114,  
D14/113, 115; D6/510, 511, 491; D7/550;  
D19/75, 83, 92; 248/918-924, 442.2, 441.1,  
174, 121, 447.2, 118.1; 211/1, 60.1, 86,  
88, 90, 97, 98, 104; 312/208.1, 208.2, 208.4,  
281, 282; 400/717; 108/93

[56] **References Cited**

**U.S. PATENT DOCUMENTS**

D. 344,652 3/1994 Hatcher ..... D14/114 X

D. 357,910	5/1995	Newhouse .....	D14/114
D. 387,744	12/1997	Kirchhoff et al. ....	D14/114
3,830,352	8/1974	Kolpek .....	197/186
4,616,798	10/1986	Smeenge et al. ....	248/281
4,625,657	12/1986	Little et al. ....	108/93
4,644,875	2/1987	Watt .....	108/93
5,190,387	3/1993	Auth .....	400/717
5,413,294	5/1995	Greenquist .....	400/717 X

**OTHER PUBLICATIONS**

Brochure by Waterloo Furniture Components, "Introducing  
Swinglift™ A New Ergonomic Design For Height Adjust-  
able Work Surfaces".

*Primary Examiner*—Freda Nunn

*Attorney, Agent, or Firm*—Michael A. Hakamaki

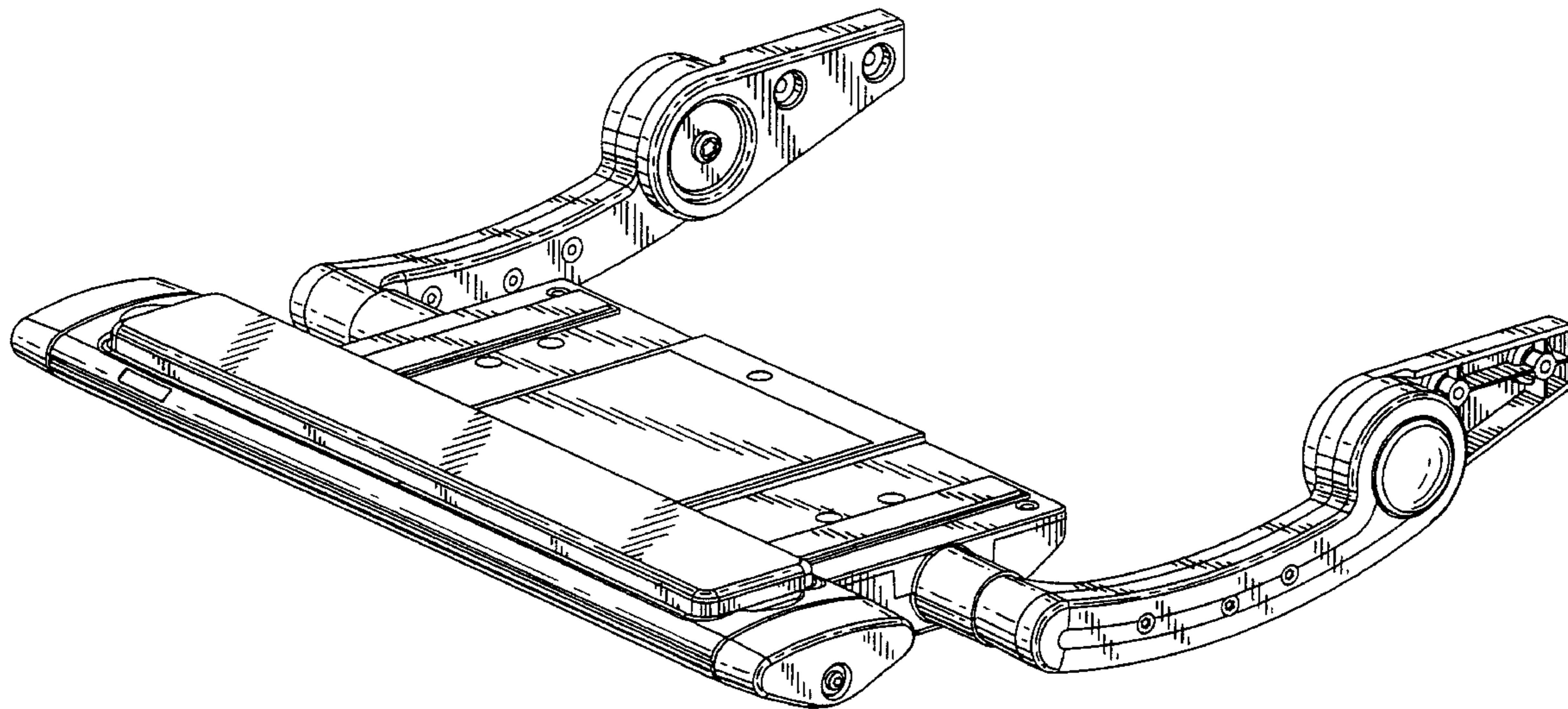
[57] **CLAIM**

The ornamental design for a keyboard support assembly, as  
shown and described.

**DESCRIPTION**

FIG. 1 is a top, front, right isometric view of a keyboard  
support assembly;  
FIG. 2 is a top view of the keyboard support assembly;  
FIG. 3 is a bottom view of the keyboard support assembly;  
FIG. 4 is a rear view of the keyboard support assembly;  
FIG. 5 is a front view of the keyboard support assembly;  
and,  
FIG. 6 is a right side elevational view of the keyboard  
support assembly, the left side elevational view being the  
mirror image thereof.

**1 Claim, 4 Drawing Sheets**



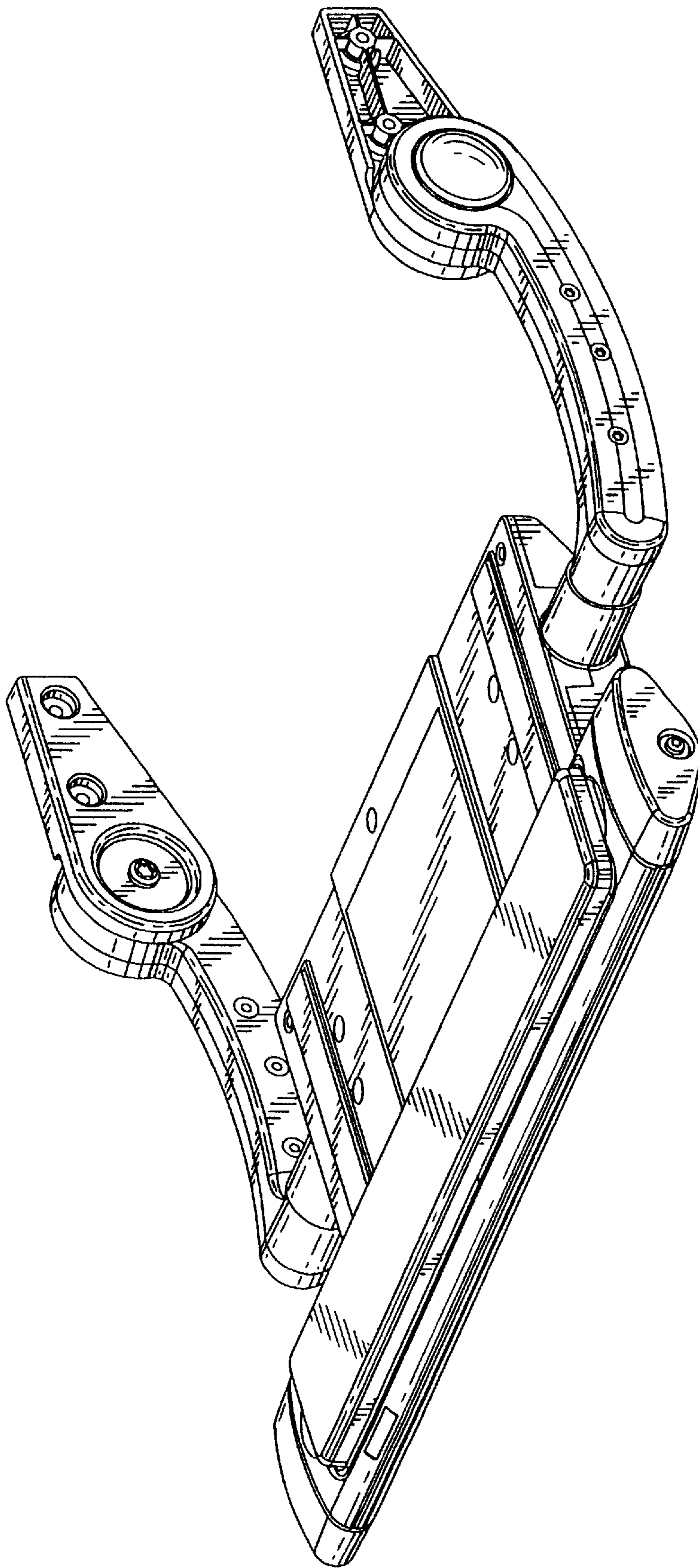


Fig. 1

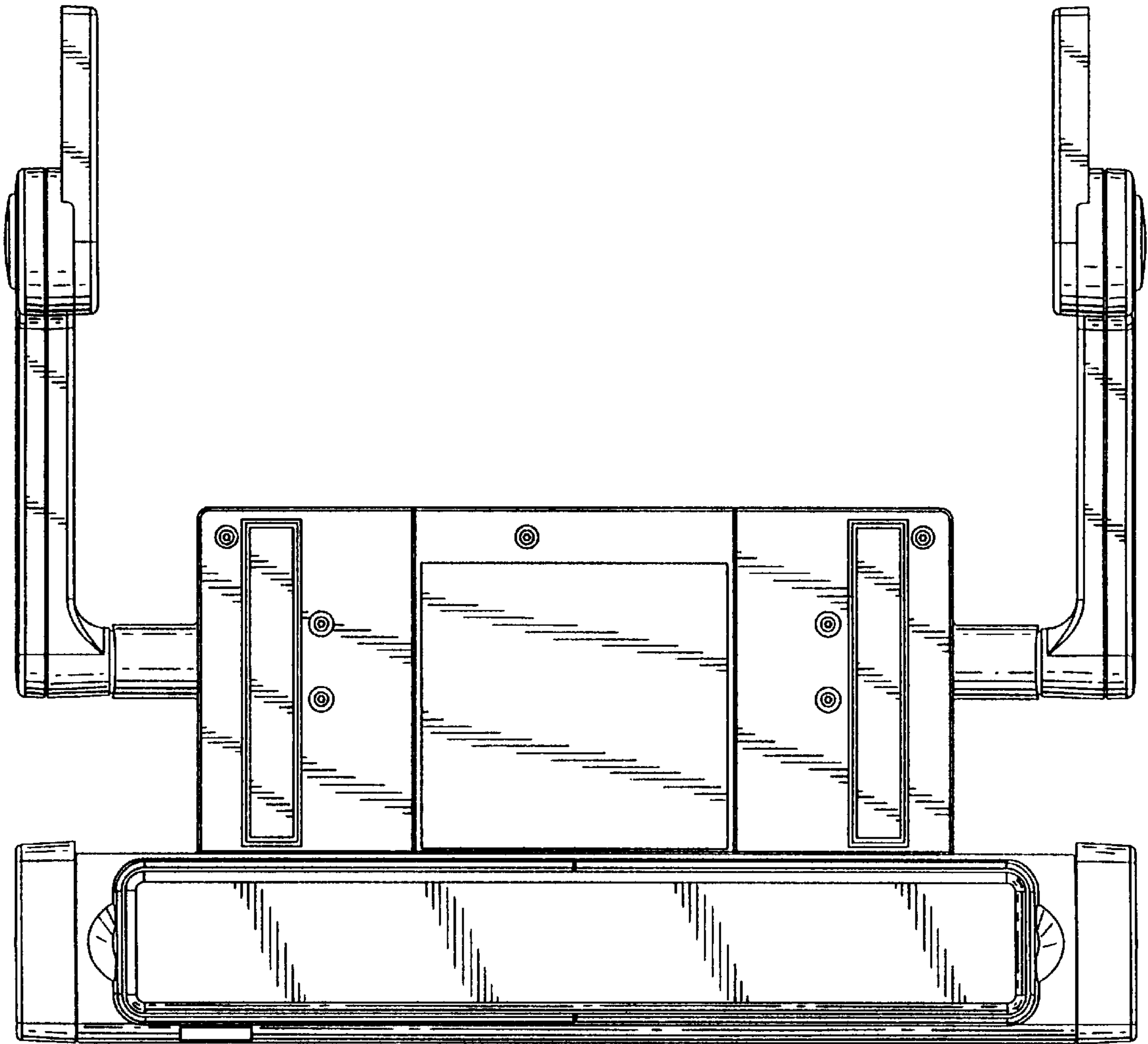
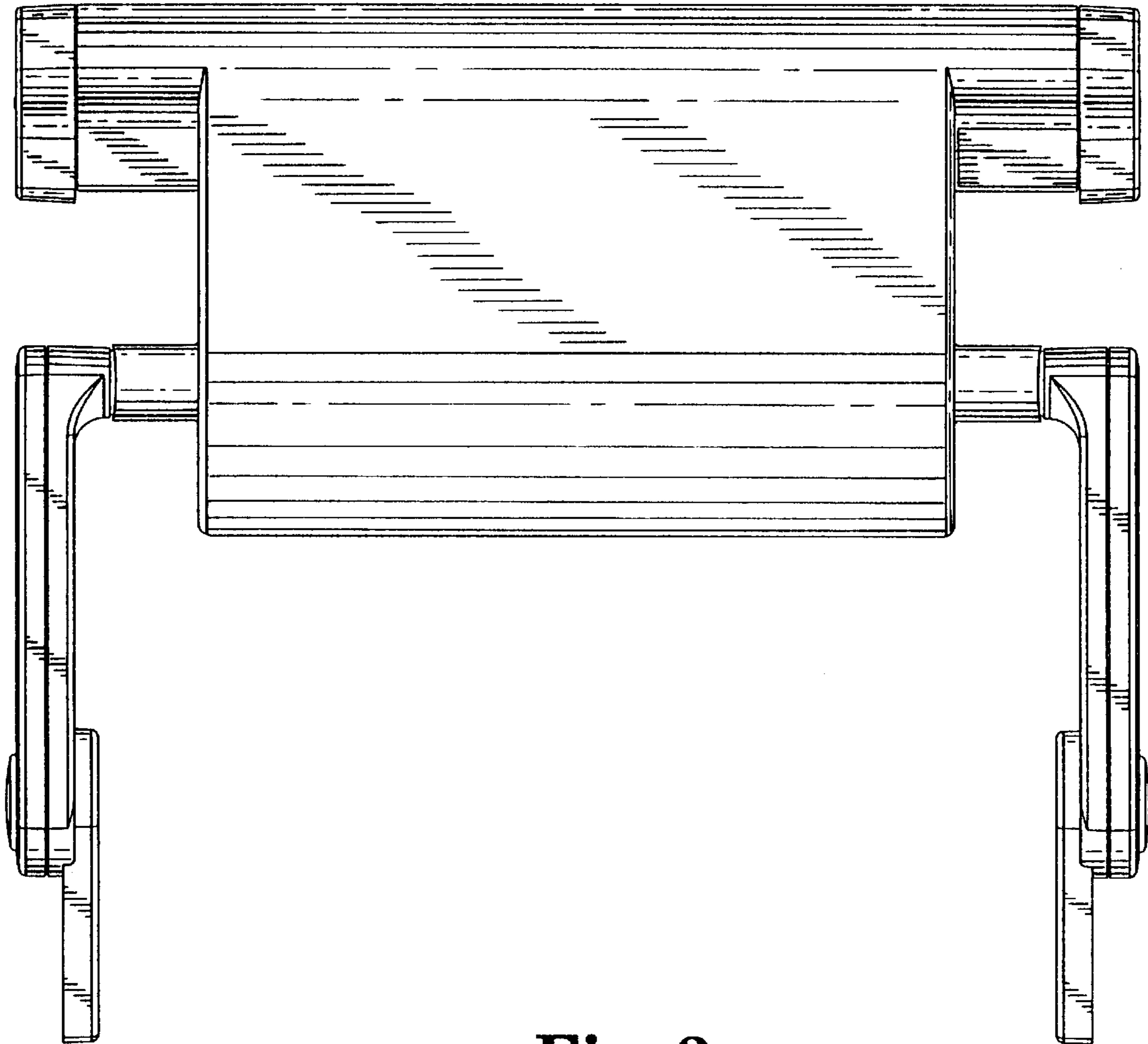
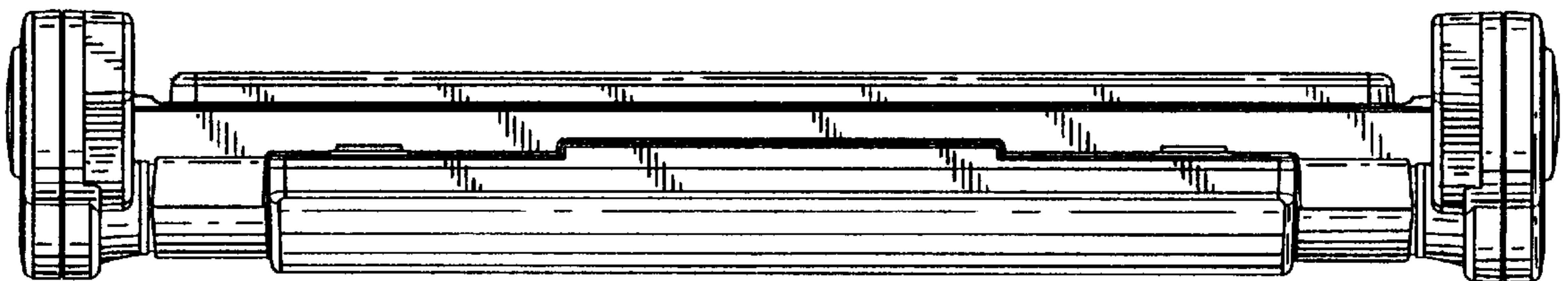


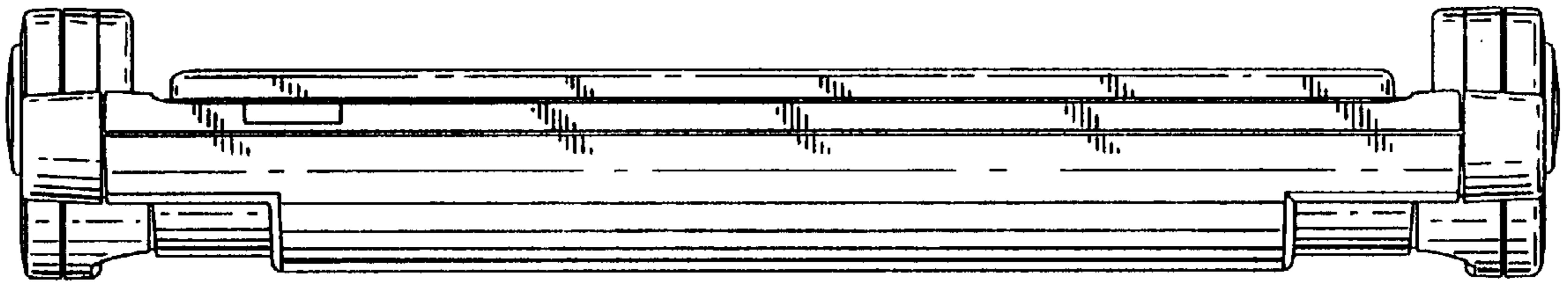
Fig. 2



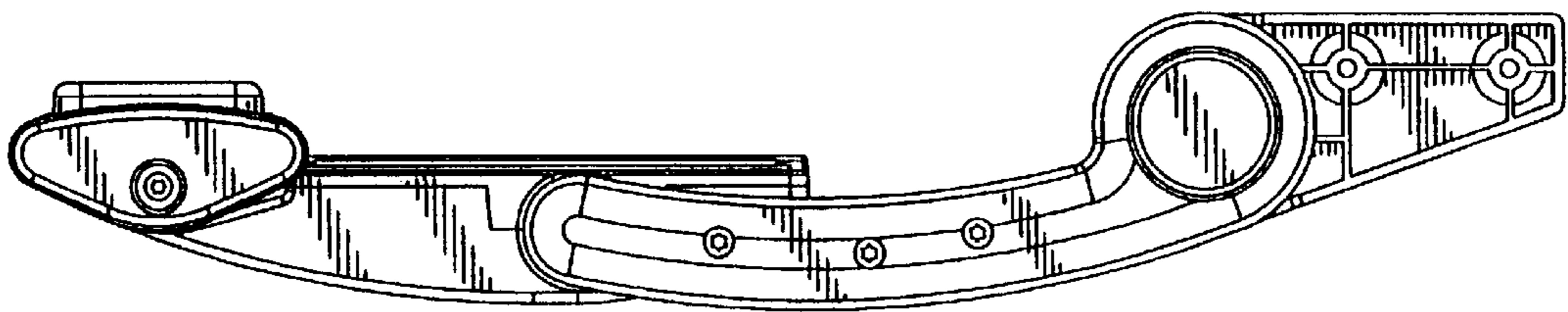
**Fig. 3**



**Fig. 4**



**Fig. 5**



**Fig. 6**