



US00D402970S

United States Patent [19] Rosen

[11] **Patent Number: Des. 402,970**

[45] **Date of Patent: **Dec. 22, 1998**

[54] **DEPLOYABLE MONITOR**

[75] Inventor: **John B. Rosen**, Eugene, Oreg.

[73] Assignee: **Advanced Multimedia Products Corporation**, Eugene, Oreg.

[**] Term: **14 Years**

[21] Appl. No.: **75,857**

[22] Filed: **Aug. 29, 1997**

[51] **LOC (6) Cl.** **19-02**

[52] **U.S. Cl.** **D14/113**

[58] **Field of Search** D14/114, 113,
D14/107, 124-9; 345/104, 133, 156, 901-5;
248/917-24

[56] **References Cited**

U.S. PATENT DOCUMENTS

D. 365,550	12/1995	Houlihan	D14/114
D. 375,302	11/1996	Darius et al.	D14/114
D. 382,259	8/1997	Nagai et al.	D14/113
D. 387,040	12/1997	Iino	D14/113
D. 390,547	2/1998	Chen	D14/114
D. 391,557	3/1998	Tada et al.	D14/113
D. 392,628	3/1998	Hayashi	D143/113
4,438,458	3/1984	Münscher	.	
4,630,821	12/1986	Greenwald	.	
4,633,323	12/1986	Haberkern et al.	.	

4,647,980	3/1987	Steventon et al.	.
4,735,467	4/1988	Wolters	.
4,749,364	6/1988	Arney et al.	.
4,843,477	6/1989	Mizutani et al.	.
4,866,515	9/1989	Tagawa et al.	.
5,161,028	11/1992	Kawata et al.	.
5,359,349	10/1994	Jambor et al.	.
5,362,144	11/1994	Shioya et al.	.

Primary Examiner—M. H. Tung
Attorney, Agent, or Firm—Kolisch, Hartwell, Dickinson,
McCormack & Heuser

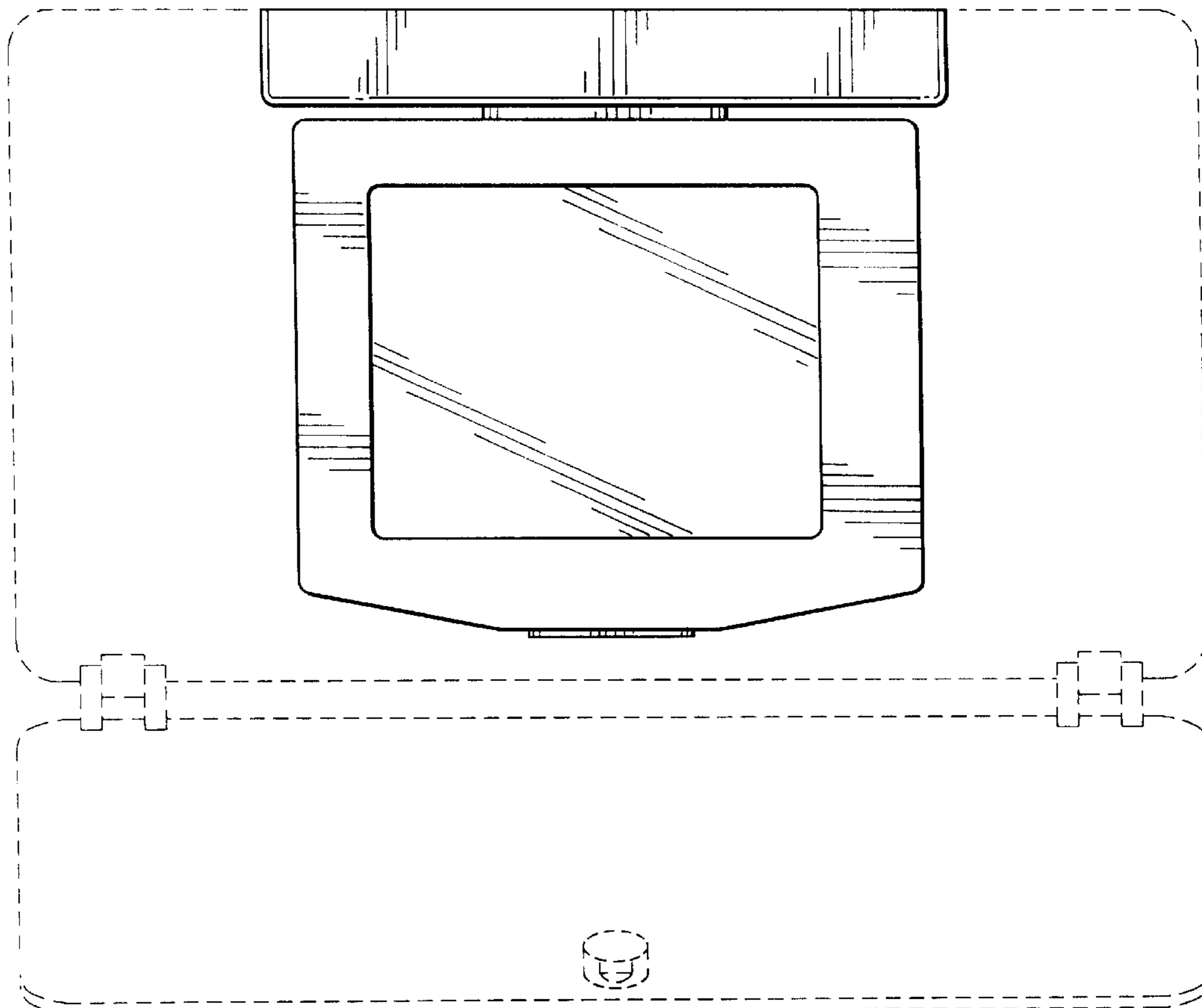
[57] **CLAIM**

The ornamental design for a deployable monitor, as shown and described.

DESCRIPTION

FIG. 1 is a front elevational view of a deployable monitor, the broken line drawing of a vehicle glove compartment is for illustrative purposes only and forms no part of the claimed design;
FIG. 2 is a rear elevational view of the deployable monitor of FIG. 1;
FIG. 3 is a right-side elevational view, the left-side view is a mirror image thereof, the broken line drawing shows the monitor portion in alternate positions; and,
FIG. 4 is a bottom view thereof.

1 Claim, 2 Drawing Sheets



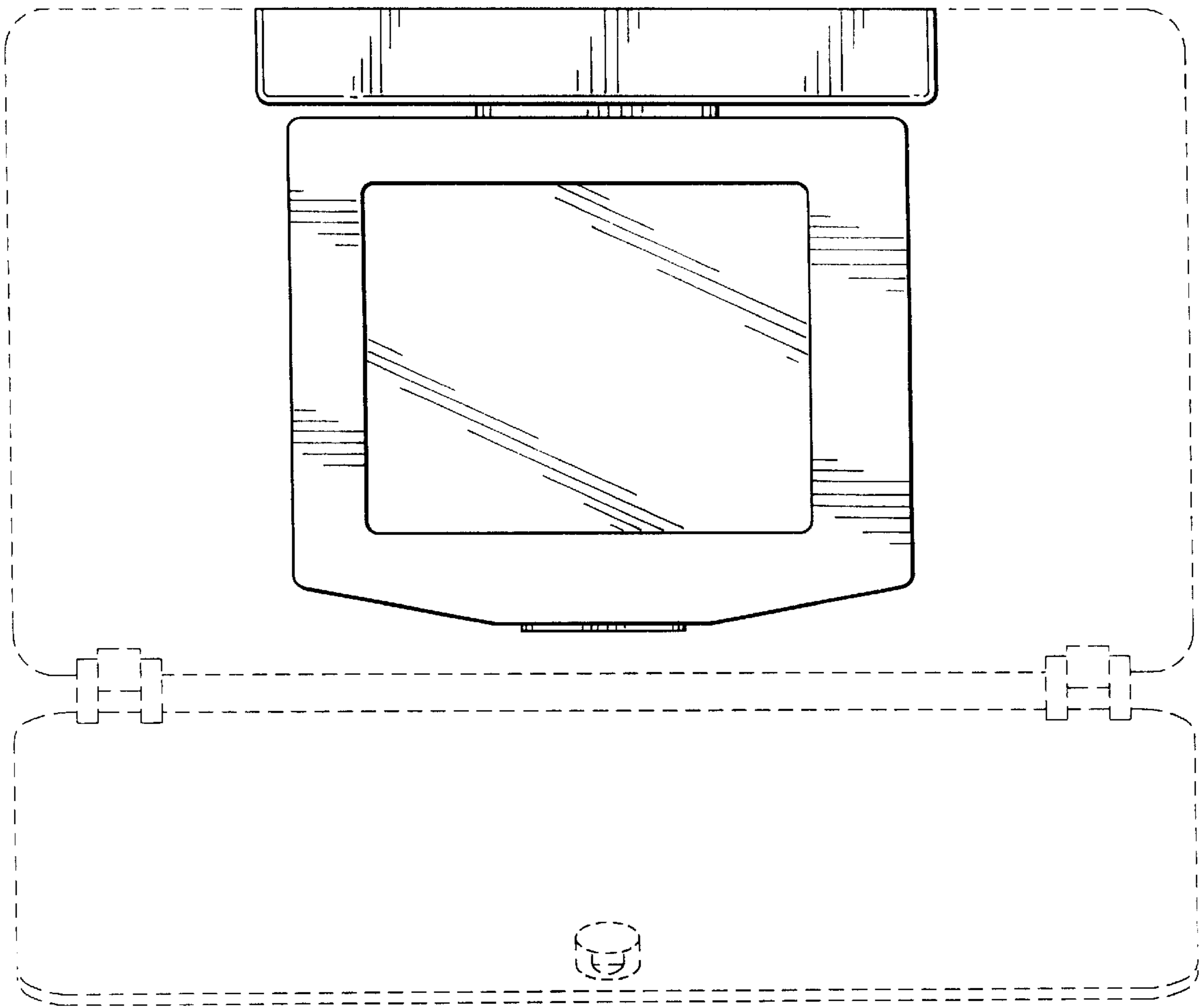


FIG.1

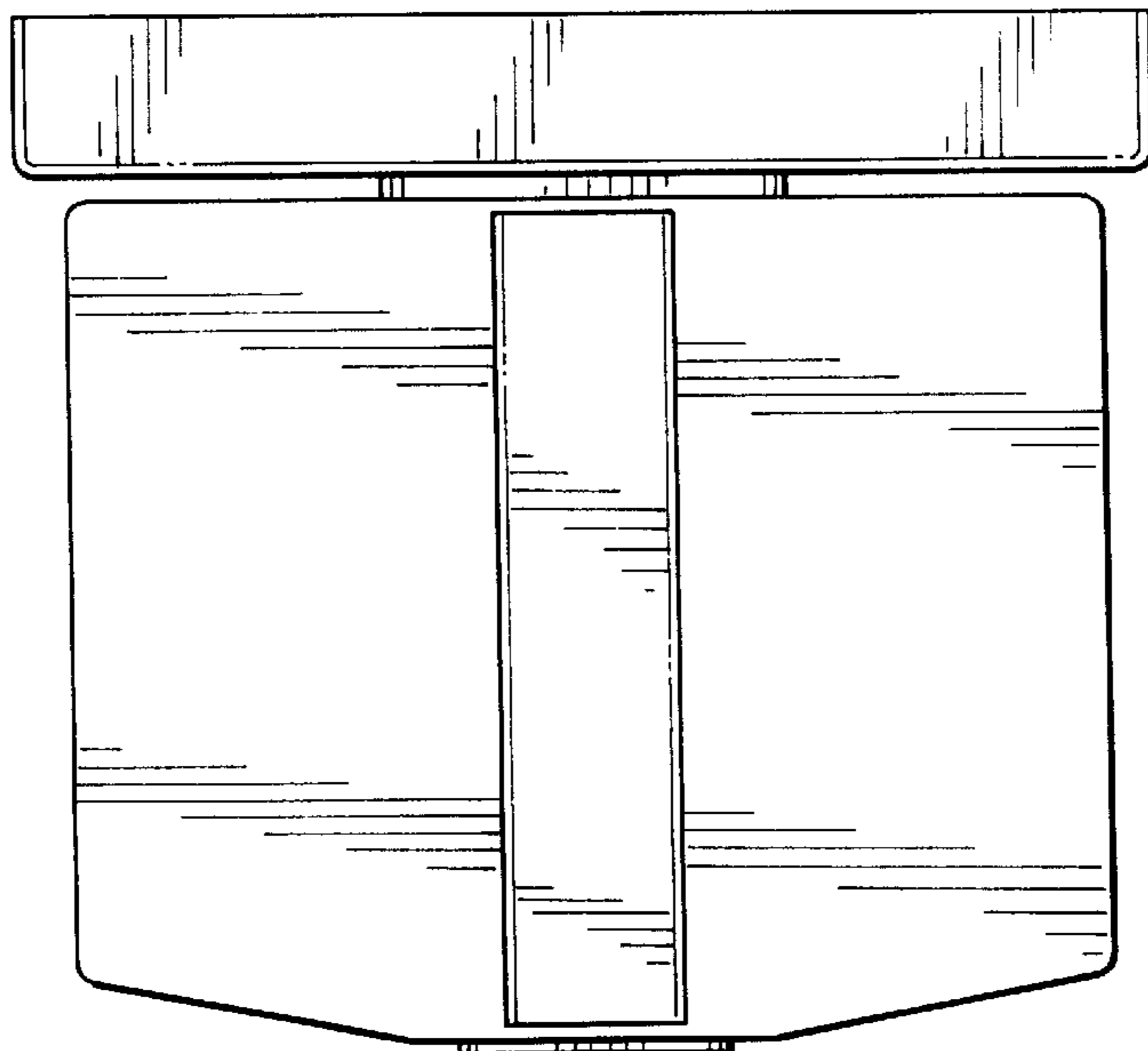


FIG.2

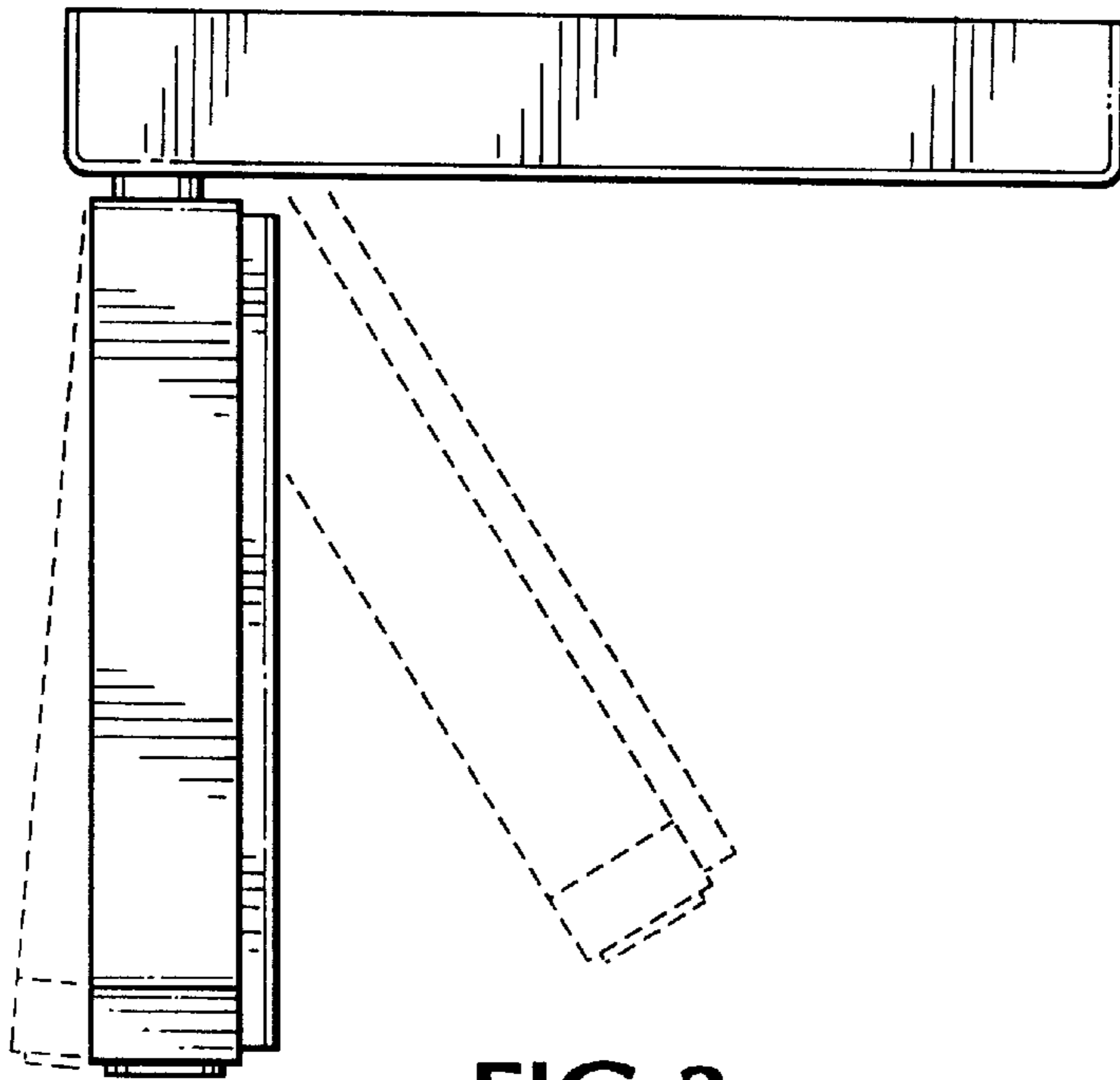


FIG.3

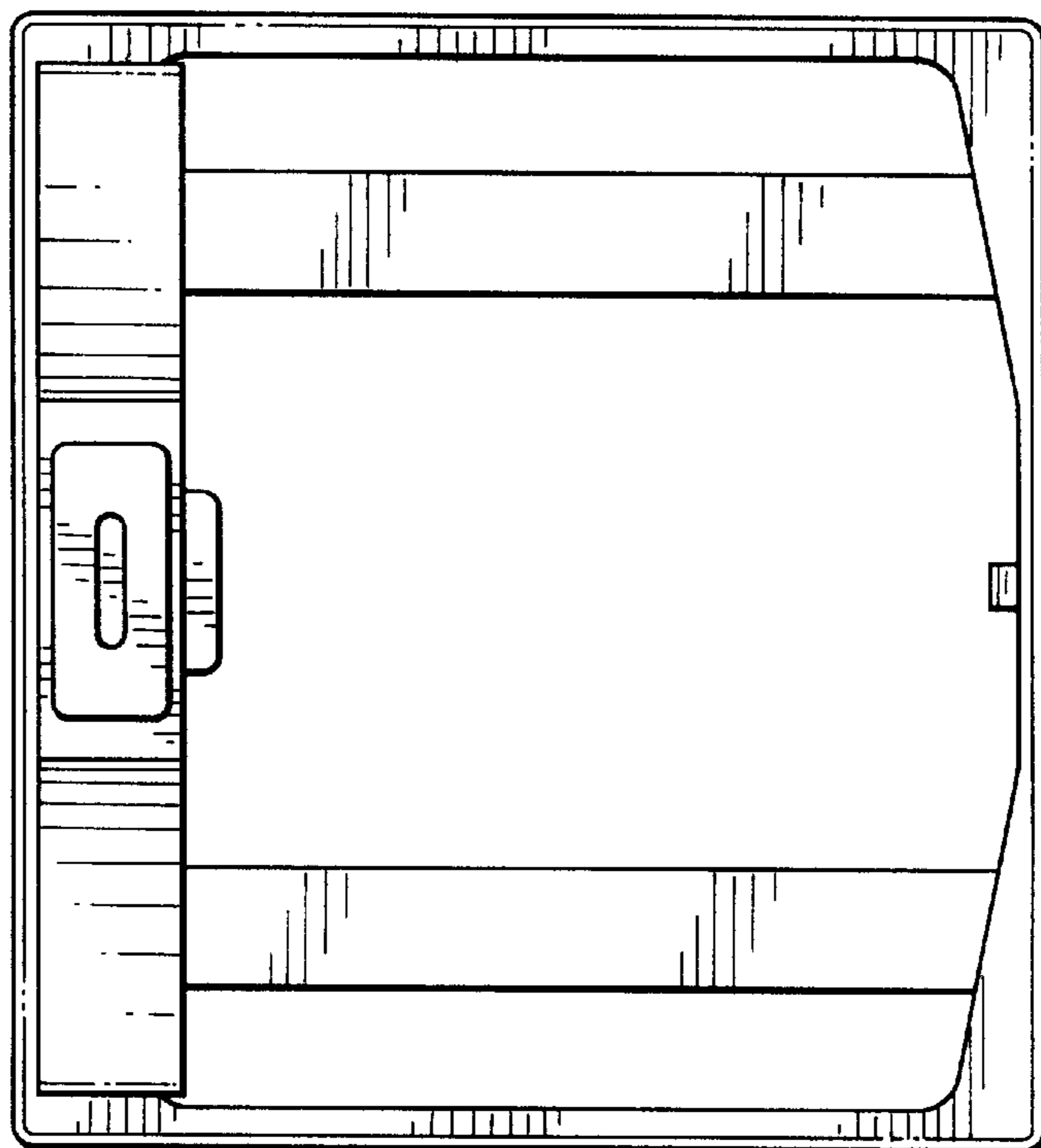


FIG.4