



US00D402969S

United States Patent [19] Fujimoto

[11] **Patent Number: Des. 402,969**

[45] **Date of Patent: **Dec. 22, 1998**

[54] **SCANNER**

D. 370,008 5/1996 Cheng D14/107

[75] Inventor: **Hidetoshi Fujimoto**, Nara-ken, Japan

D. 372,227 7/1996 Ohta .

D. 372,902 8/1996 Yu D14/107

[73] Assignee: **Sharp Kabushiki Kaisha**, Japan

Primary Examiner—Freda Nunn

Attorney, Agent, or Firm—Nixon & Vanderhye P.C.

[**] Term: **14 Years**

[21] Appl. No.: **75,916**

[57] **CLAIM**

The ornamental design for a scanner, as shown and described.

[22] Filed: **Jun. 24, 1997**

[30] **Foreign Application Priority Data**

DESCRIPTION

Dec. 24, 1996 [JP] Japan 8-39193

[51] **LOC (6) Cl.** **14-02**

FIG. 1 is a top, front and right side perspective view of a scanner according to my design;

[52] **U.S. Cl.** **D14/107**

FIG. 2 is a front elevational view thereof;

[58] **Field of Search** D14/100, 105,
D14/107, 118; D18/36, 37, 39; D16/208,
214, 223, 232; 250/556; 235/454, 470,
441; 355/64, 65, 75, 81

FIG. 3 is a top plan view thereof;

FIG. 4 is a left side elevational view thereof;

FIG. 5 is a right side elevational view thereof;

FIG. 6 is a rear elevational view thereof; and,

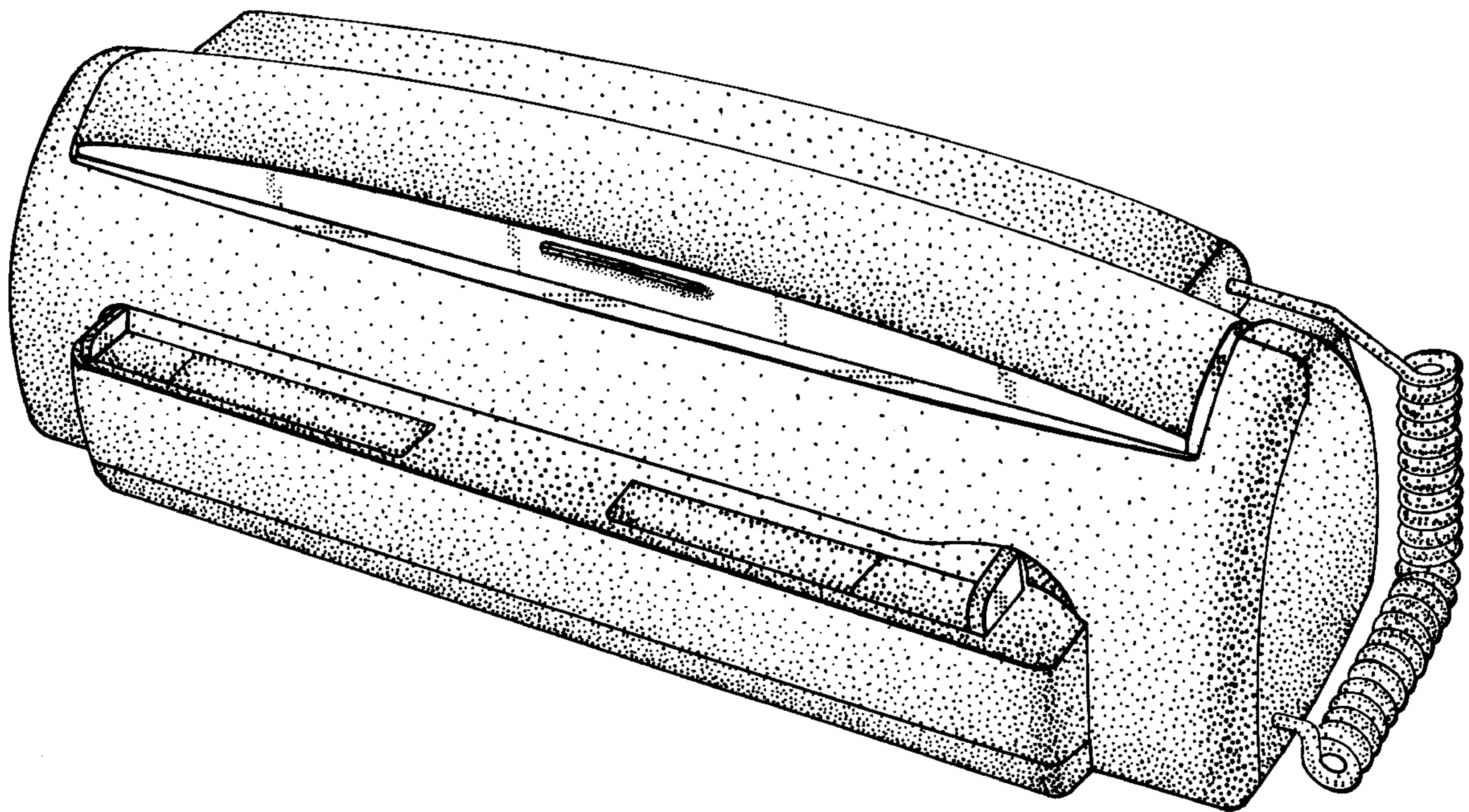
FIG. 7 is a bottom plan view thereof.

[56] **References Cited**

U.S. PATENT DOCUMENTS

D. 357,907 5/1995 Kosako et al. .

1 Claim, 4 Drawing Sheets



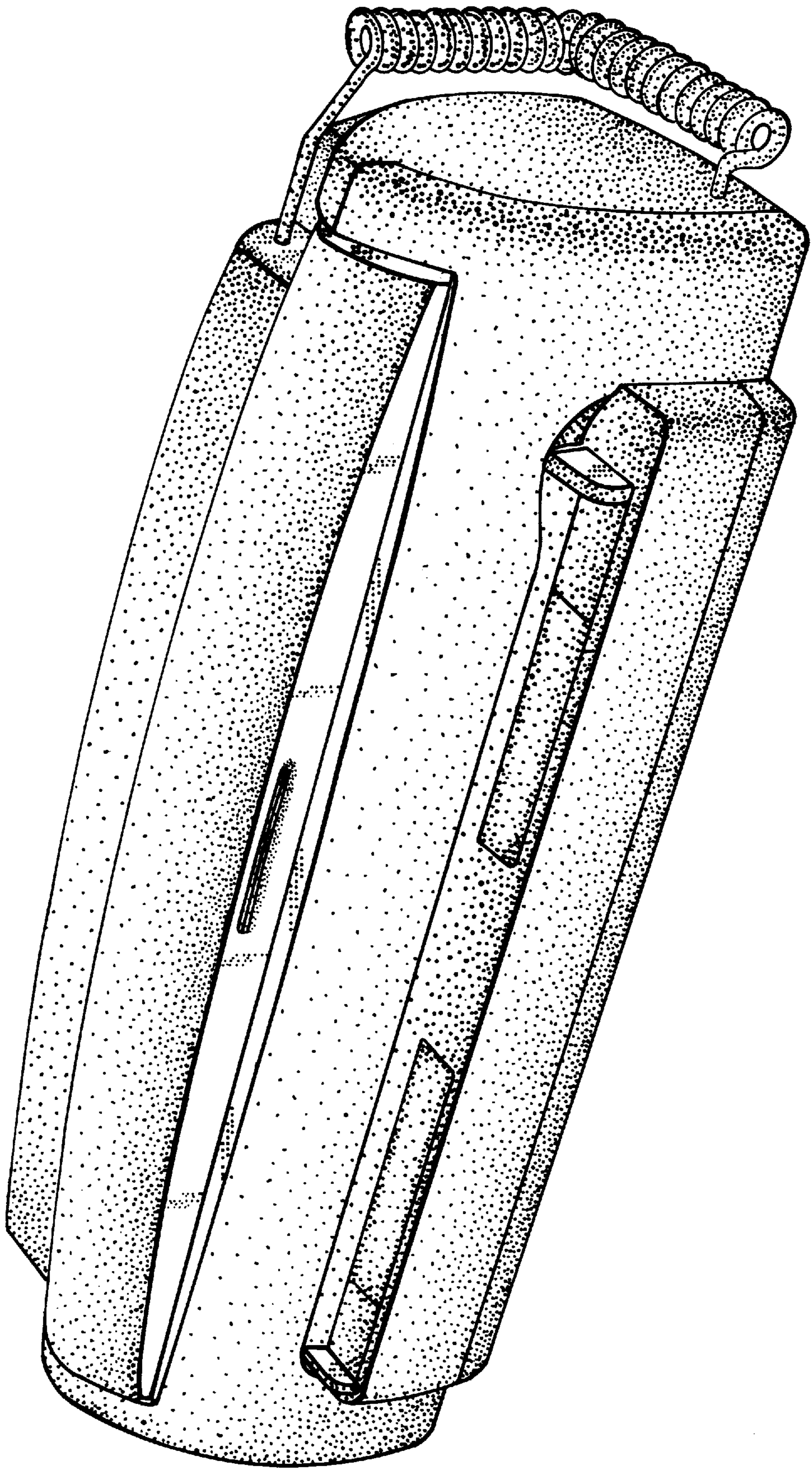


Fig. 1

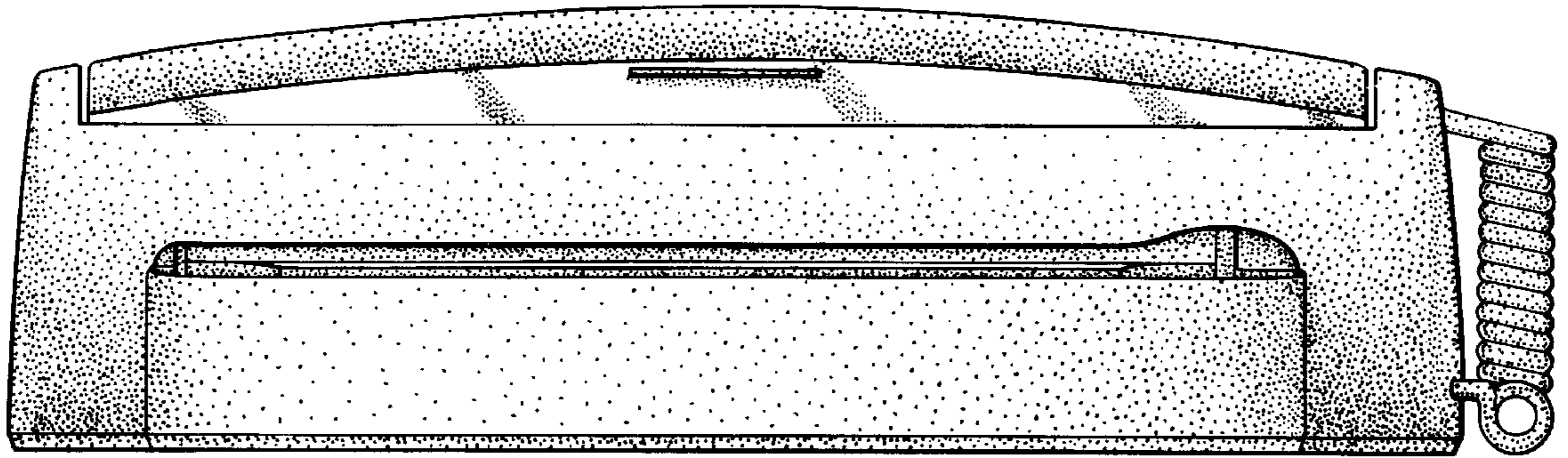


Fig. 2

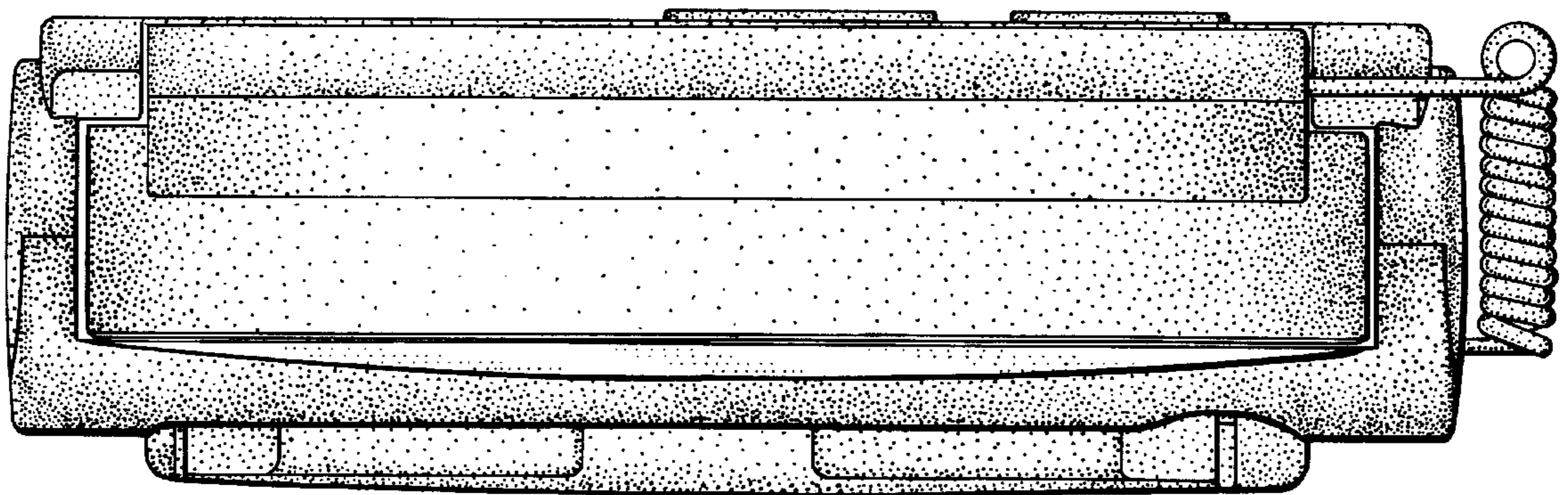


Fig. 3

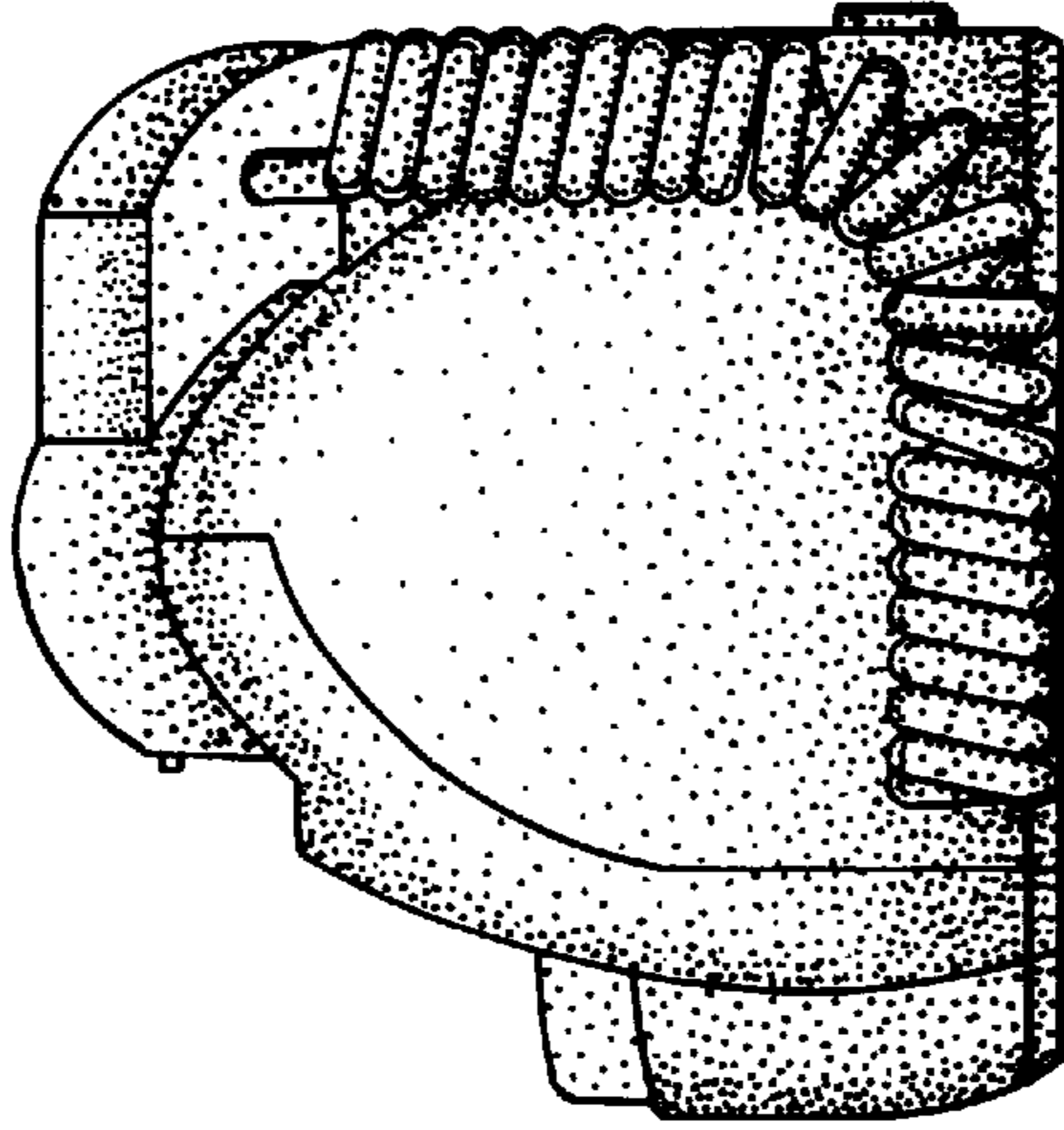


Fig. 5

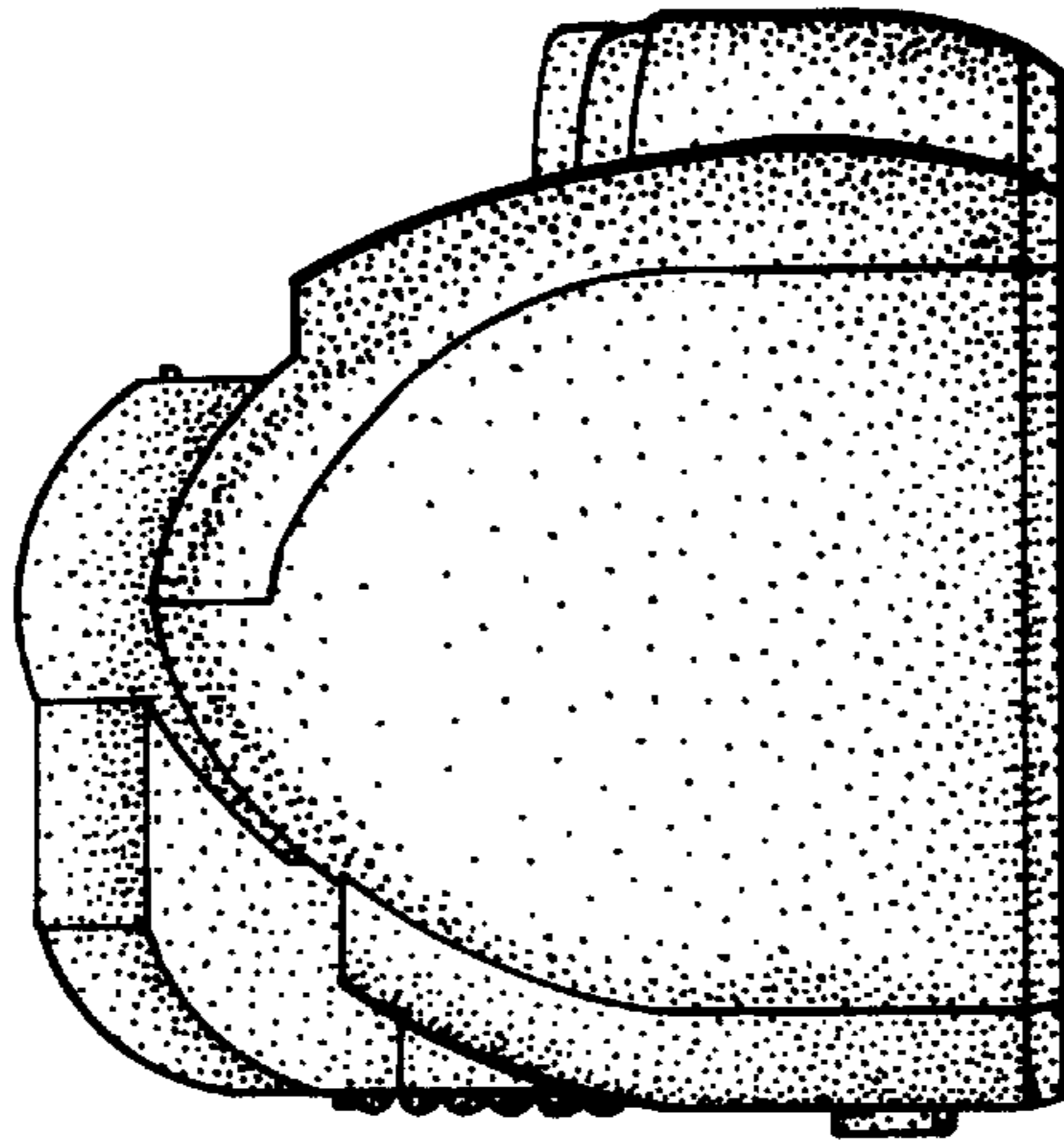


Fig. 4

Fig. 6

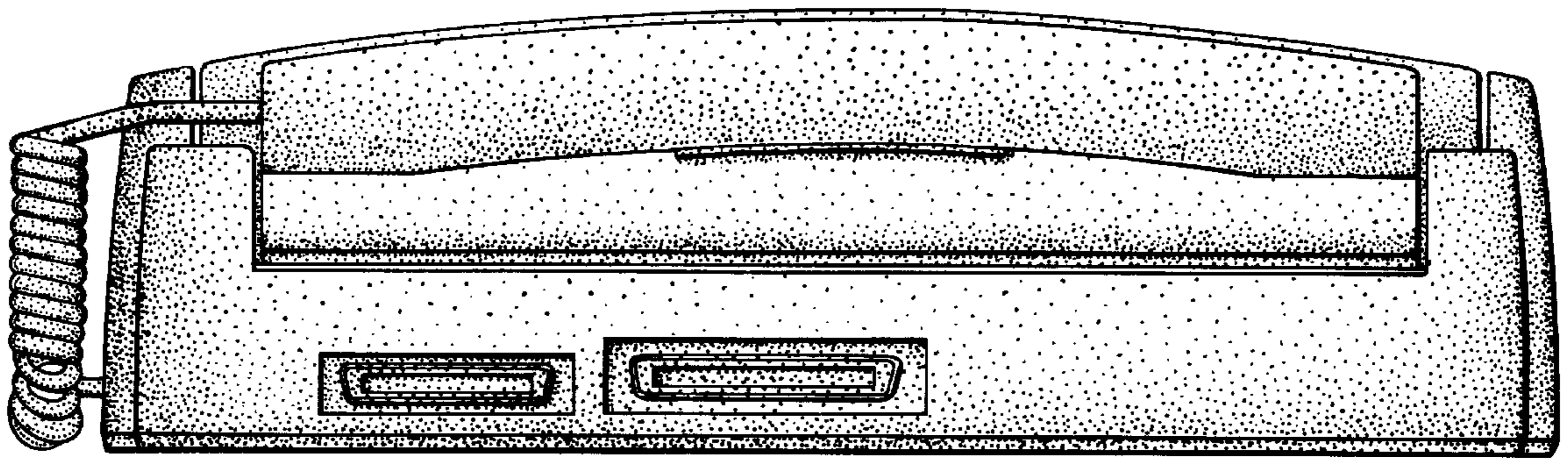


Fig. 7

