



US00D402968S

United States Patent [19]
Wolff et al.

[11] **Patent Number: Des. 402,968**

[45] **Date of Patent: **Dec. 22, 1998**

[54] **LAPTOP COMPUTER**

D. 366,251 1/1996 Rak et al. D14/106

[75] Inventors: **Stacy Wolff; Wayne Brezovar**, both of
Houston, Tex.

Primary Examiner—Freda Nunn
Attorney, Agent, or Firm—Joseph Arrambide; Robert
Groover

[73] Assignee: **Compaq Computer Corporation**,
Houston, Tex.

[57] **CLAIM**

[**] Term: **14 Years**

The ornamental design for a laptop computer, as shown and
described.

[21] Appl. No.: **63,314**

DESCRIPTION

[22] Filed: **Dec. 5, 1996**

[51] **LOC (6) Cl.** **14-02**

[52] **U.S. Cl.** **D14/106**

[58] **Field of Search** D14/100, 101,
D14/106, 113, 115; D18/1, 2, 7; 235/145 A,
145 R; 341/22, 23; 345/104, 156, 168,
173, 87; 361/680-686; 364/708.1; 400/486-489

FIG. 1 is a front, left side, top perspective view of a laptop
computer showing my new design;

FIG. 2 is a front elevational view thereof;

FIG. 3 is a left side elevational view thereof;

FIG. 4 is a right side elevational view thereof;

FIG. 5 is a rear elevational view thereof;

FIG. 6 is a top plan view thereof; and,

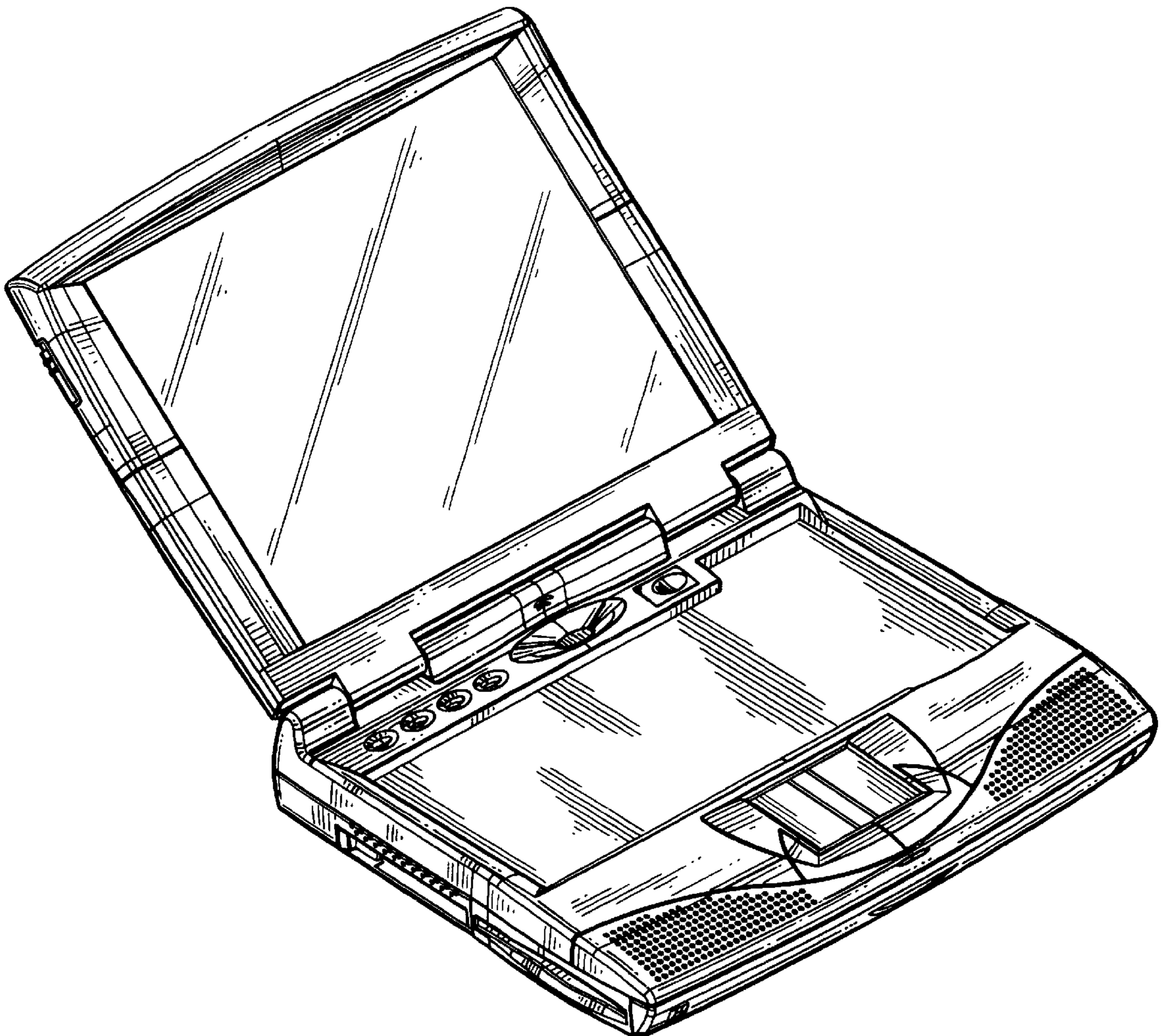
FIG. 7 is a bottom plan view thereof.

[56] **References Cited**

U.S. PATENT DOCUMENTS

D. 348,444 7/1994 Papademetriou et al. D14/106

1 Claim, 7 Drawing Sheets



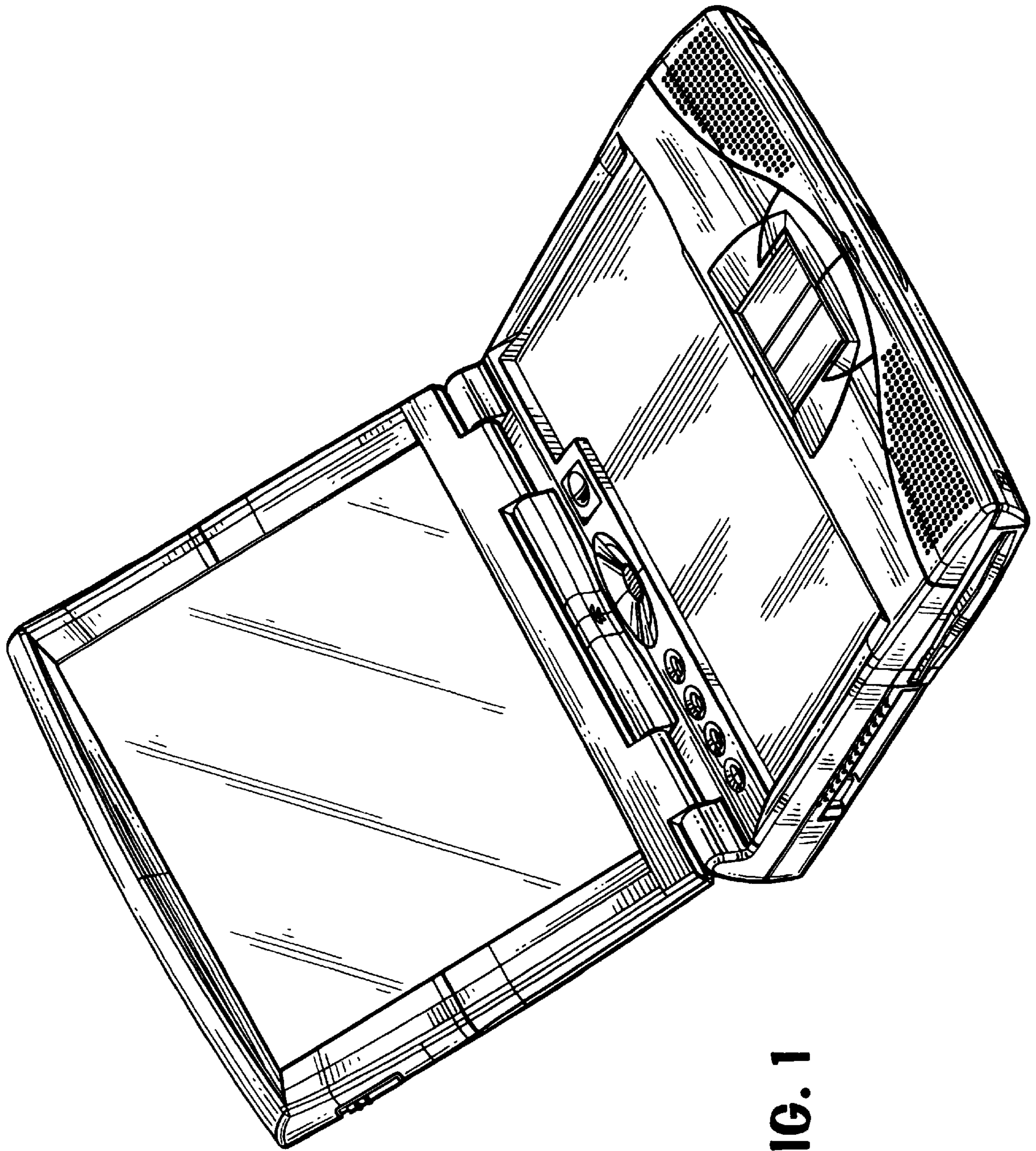


FIG. 1

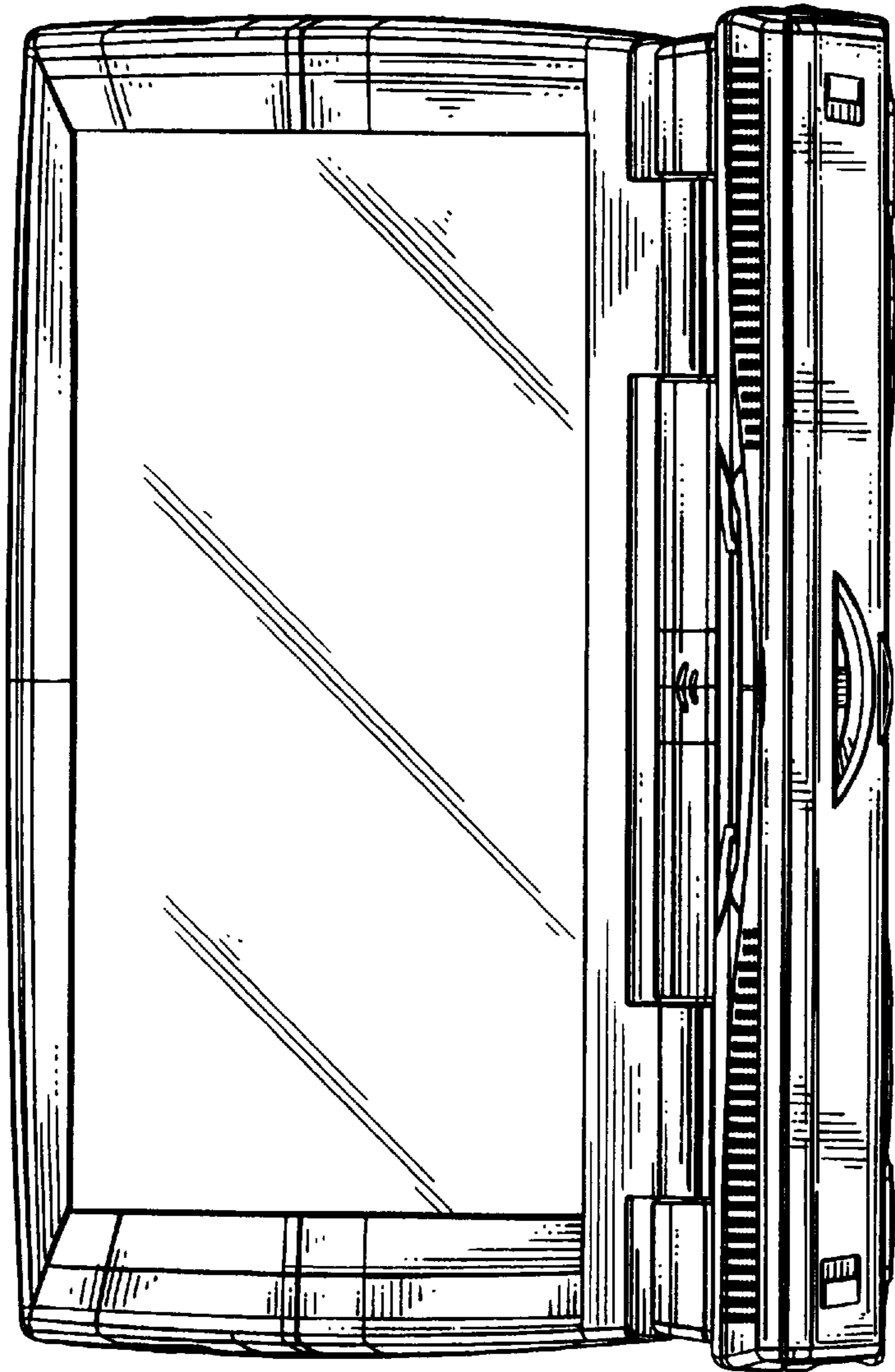


FIG. 2

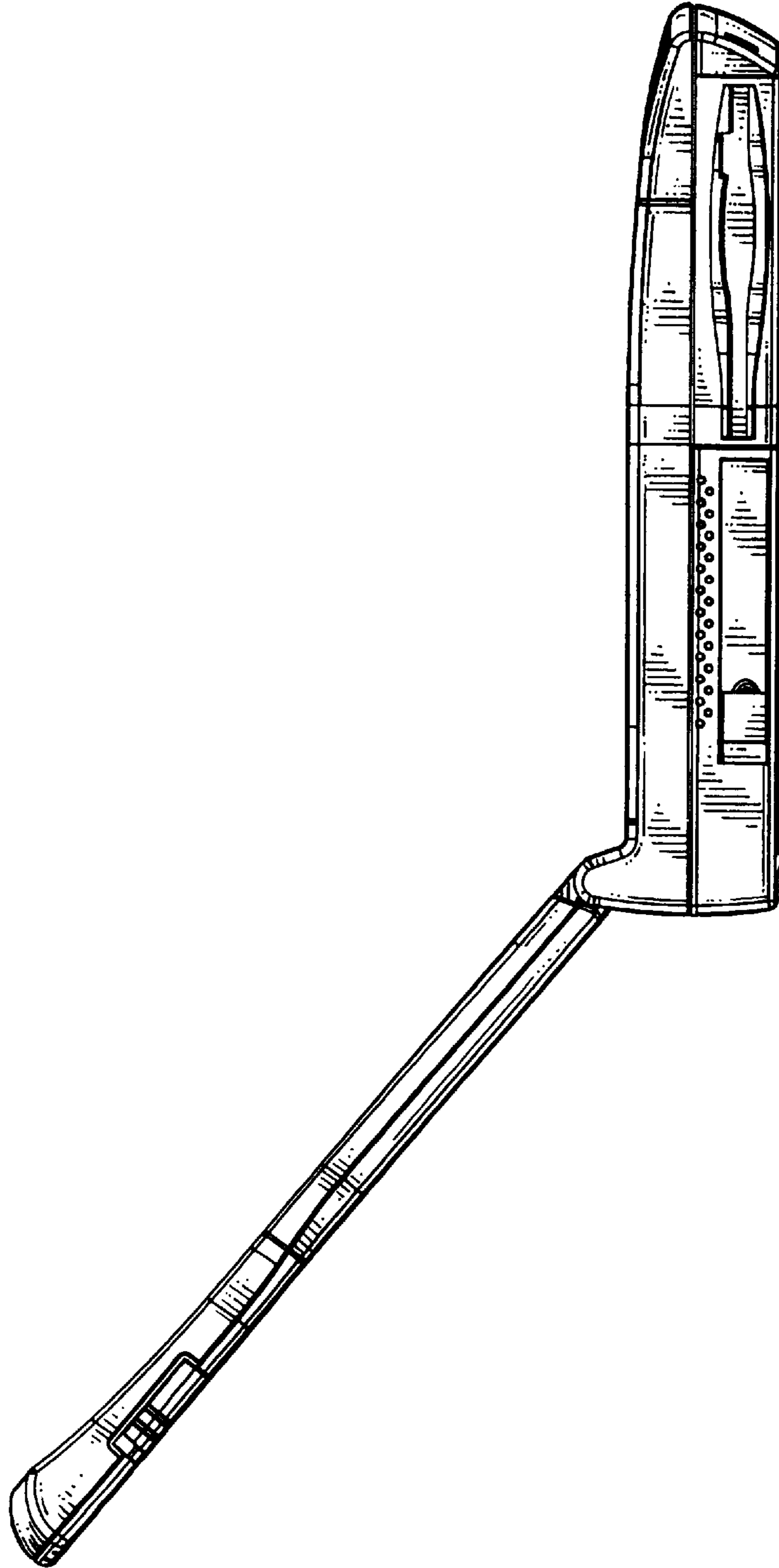


FIG. 3

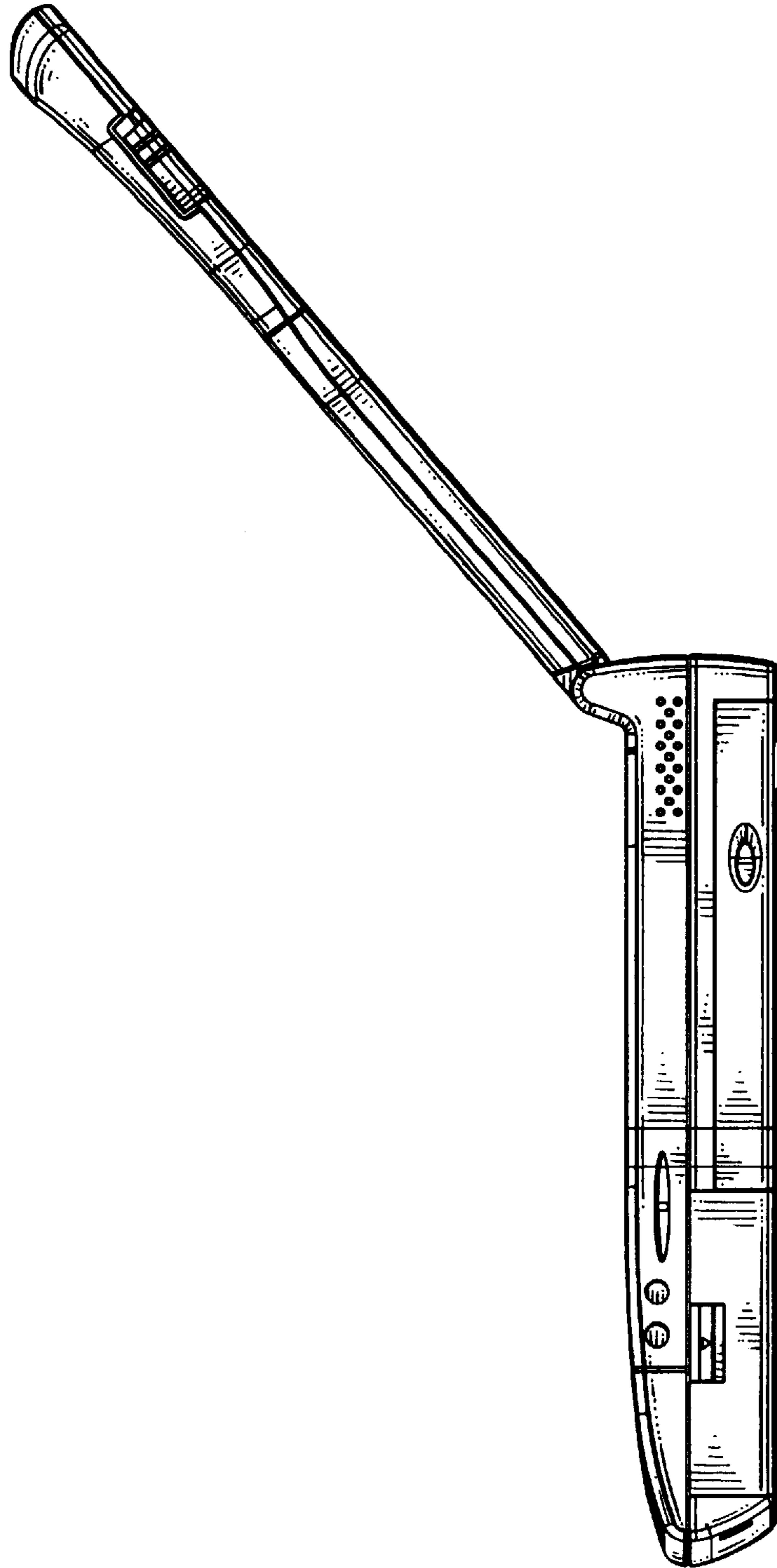


FIG. 4

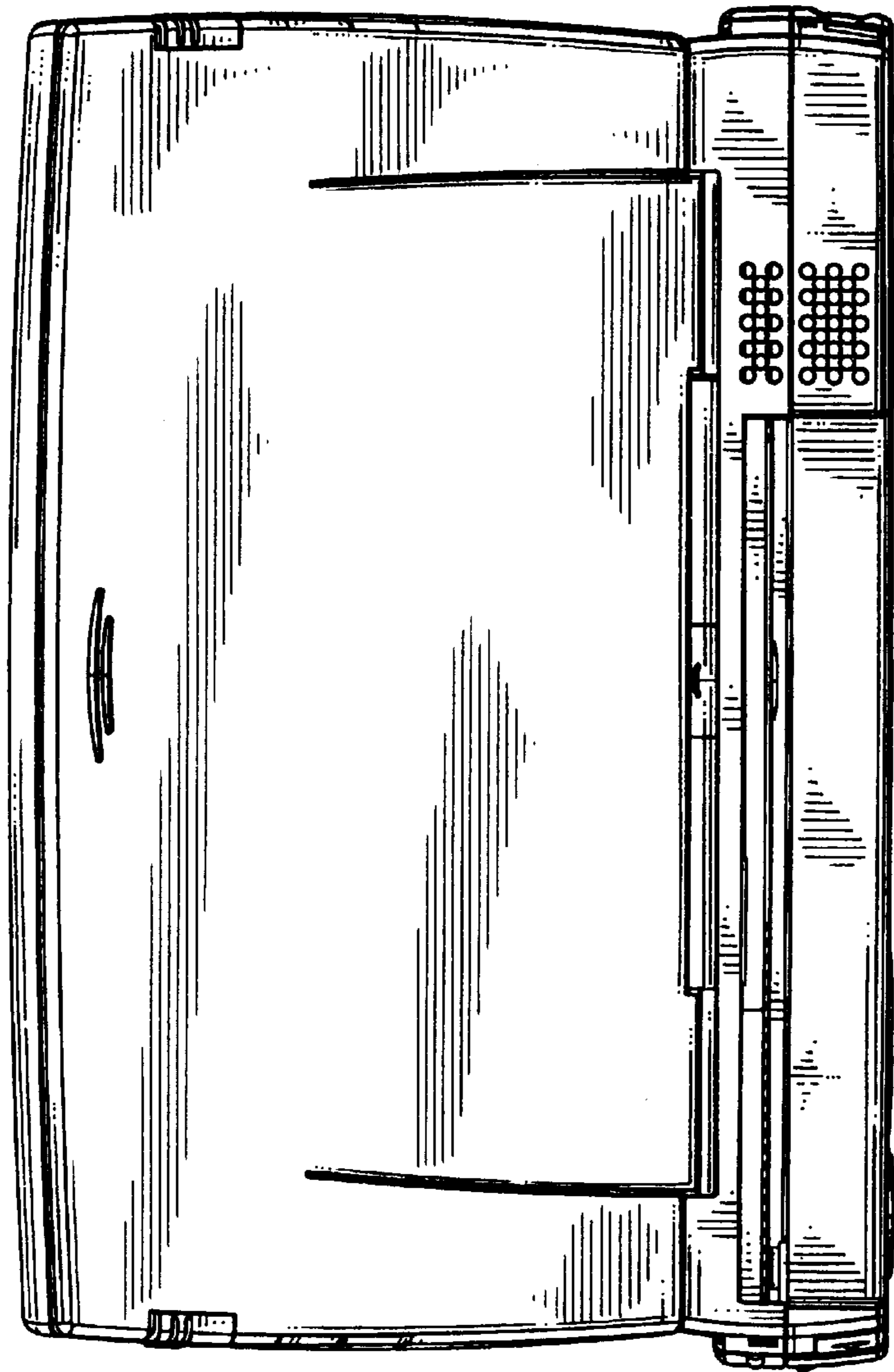


FIG. 5

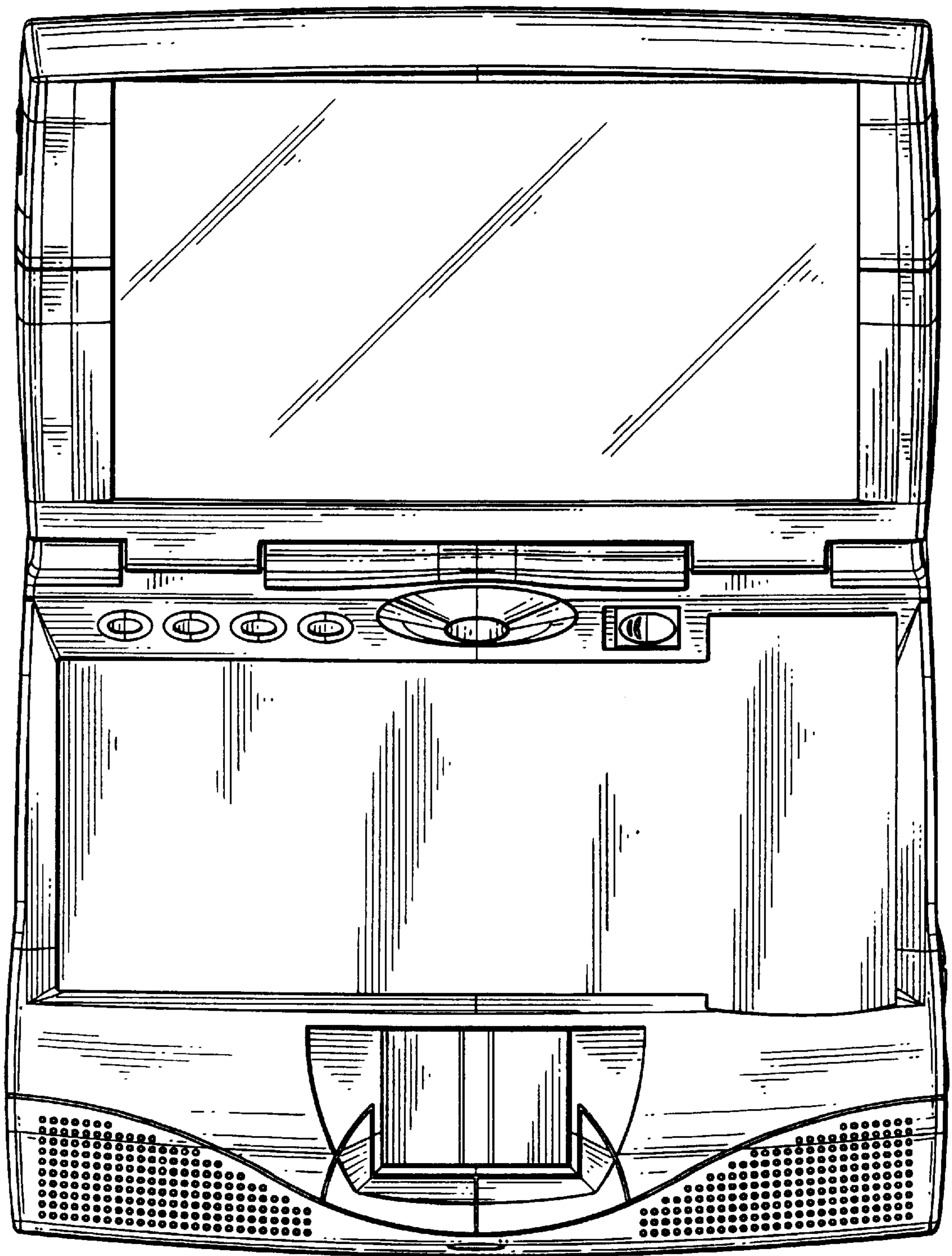


FIG. 6

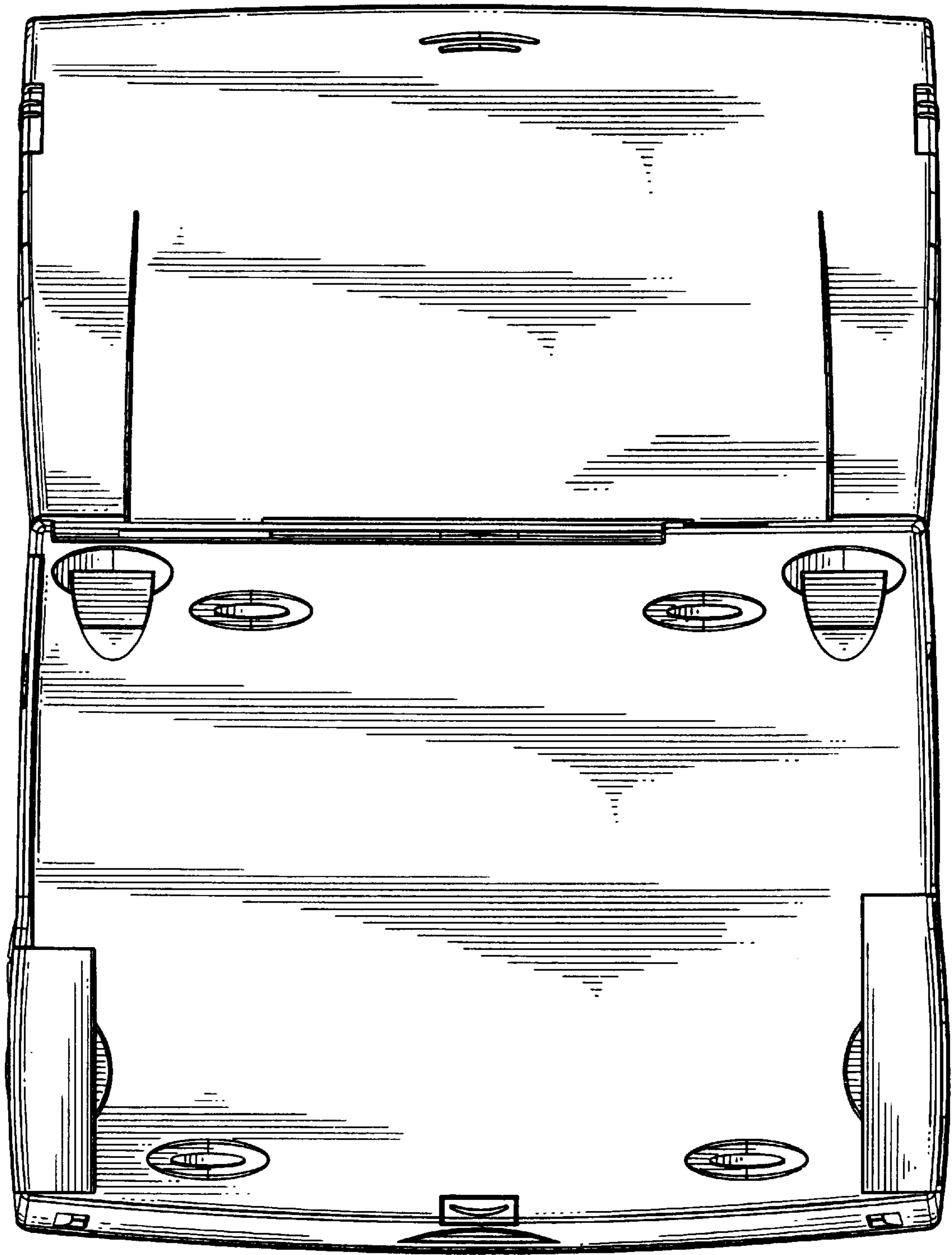


FIG. 7