



US00D402962S

# United States Patent [19] Hedrick

[11] **Patent Number: Des. 402,962**

[45] **Date of Patent: \*\*Dec. 22, 1998**

[54] **ELECTRICAL PLUG BODY**

D. 383,117 9/1997 Phillips ..... D13/138.1  
5,567,181 10/1996 Lentz ..... 439/76.1 X

[75] Inventor: **Paul A. Hedrick**, Alexandria, Ky.

[73] Assignee: **General Cable Corporation**, Highlands Heights, Ky.

[\*\*] Term: **14 Years**

*Primary Examiner*—Susan J. Lucas  
*Assistant Examiner*—Jennifer Rivard  
*Attorney, Agent, or Firm*—Blank Rome Comisky & McCauley LLP

[21] Appl. No.: **80,642**

[22] Filed: **Dec. 12, 1997**

[57] **CLAIM**

The ornamental design for an electrical plug body, as shown and described.

[51] **LOC (6) Cl. .... 13-03**

[52] **U.S. Cl. .... D13/138.2**

[58] **Field of Search** ..... D13/138.1–138.2,  
D13/137.1–137.4, 139.1–139.8; 439/140,  
141, 152, 160, 484, 692–695, 477, 135–137,  
736, 446, 164; 337/198, 197

**DESCRIPTION**

FIG. 1 is a perspective view of the instant electrical plug body. The broken line showings of a pair of electrical plug blades, a ground prong and an electrical cord connection are included for the purpose of illustrating environmental structure only and form no part of the claimed design;

FIG. 2 is a top plan view thereof;

FIG. 3 is a rear elevational view thereof;

FIG. 4 is a bottom plan view thereof;

FIG. 5 is a left side elevational view thereof;

FIG. 6 is a front elevational view thereof; and,

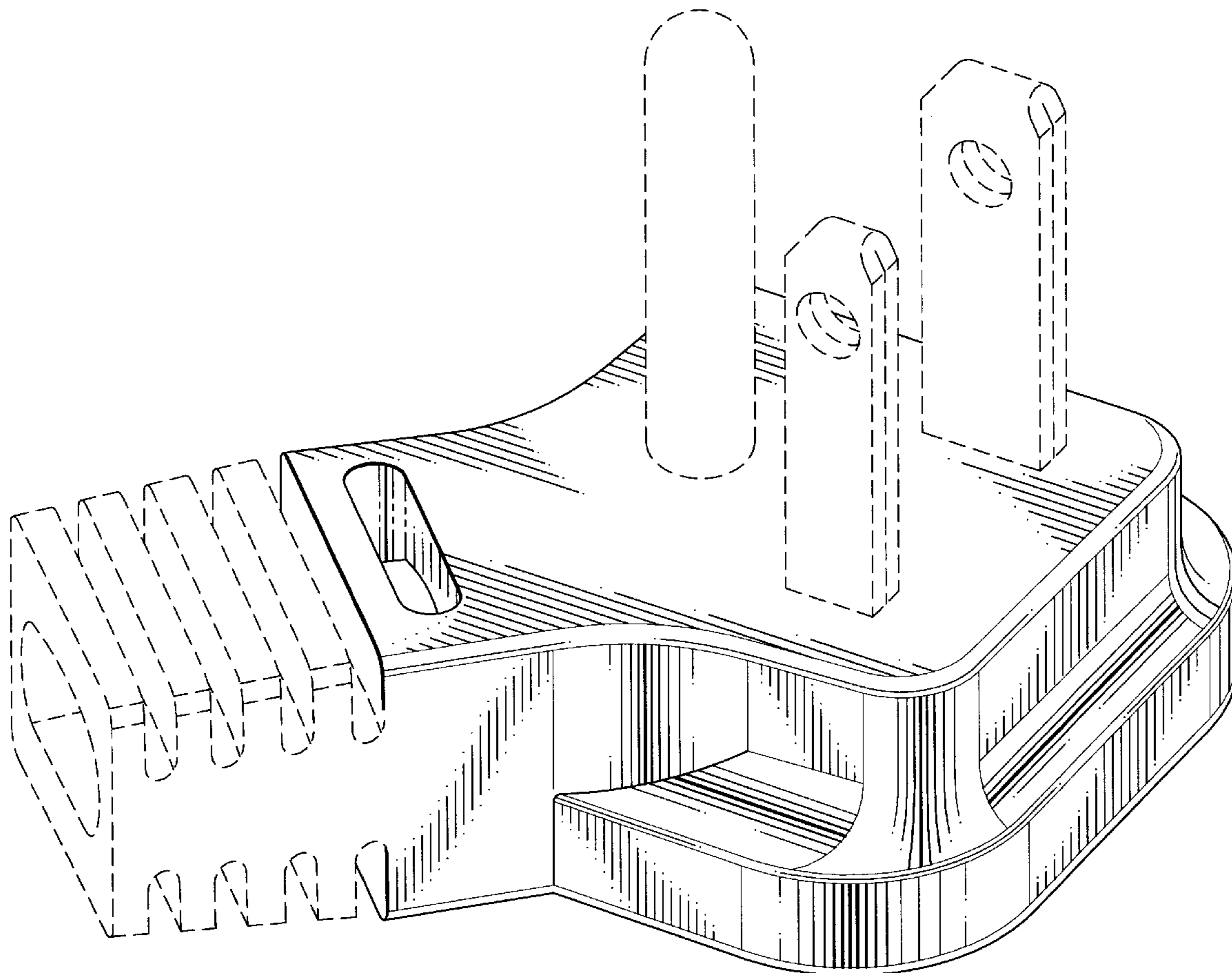
FIG. 7 is a right side elevational view thereof.

[56] **References Cited**

**U.S. PATENT DOCUMENTS**

D. 287,123	12/1986	Ross et al. .	
D. 369,142	4/1996	Hedrick .....	D13/138.1
D. 376,348	12/1996	Hedrick .....	D13/138.1
D. 378,586	3/1997	Hedrick .....	D13/138.1
D. 379,964	6/1997	Maddock et al. ....	D13/138.1

**1 Claim, 3 Drawing Sheets**



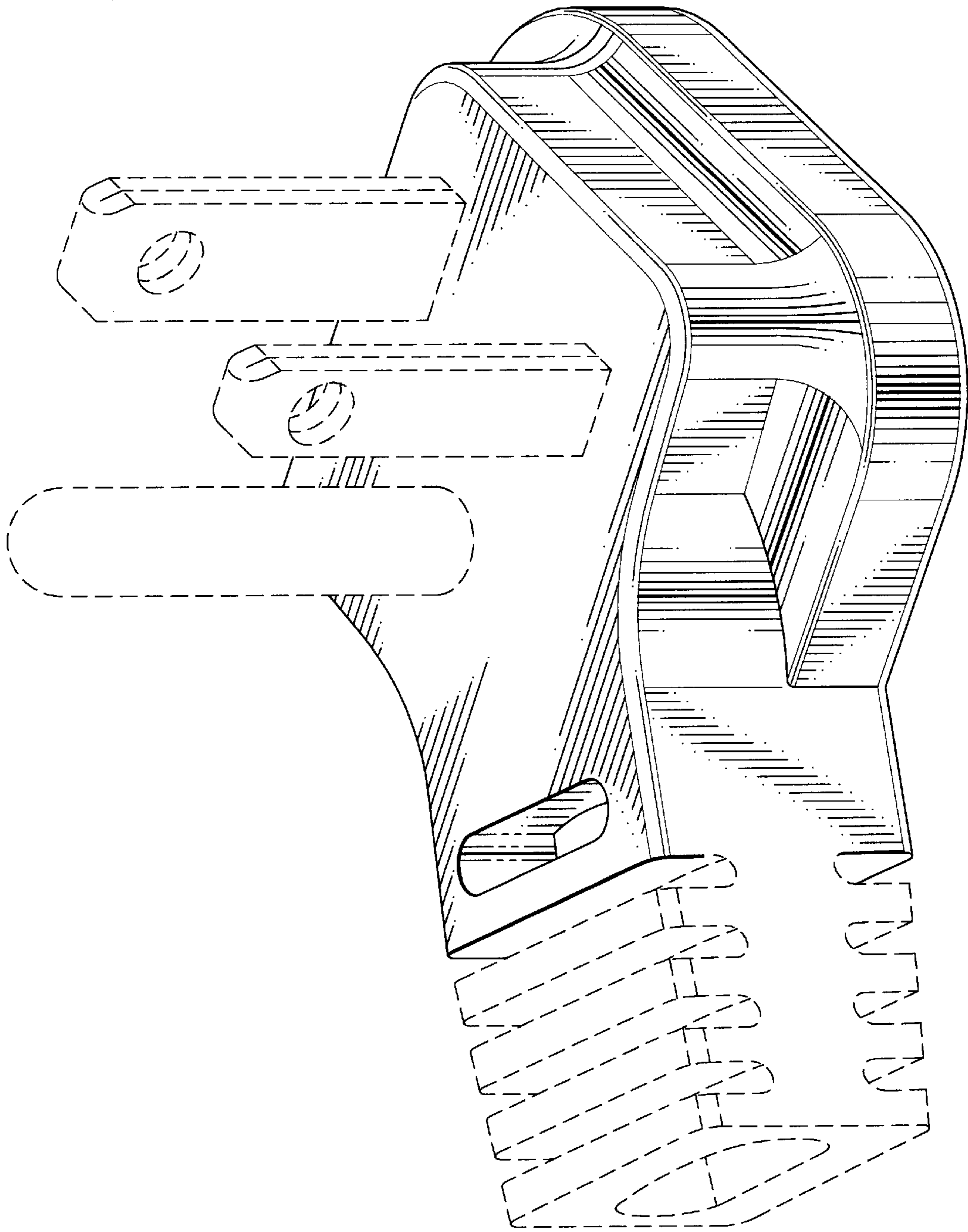


FIG. 1

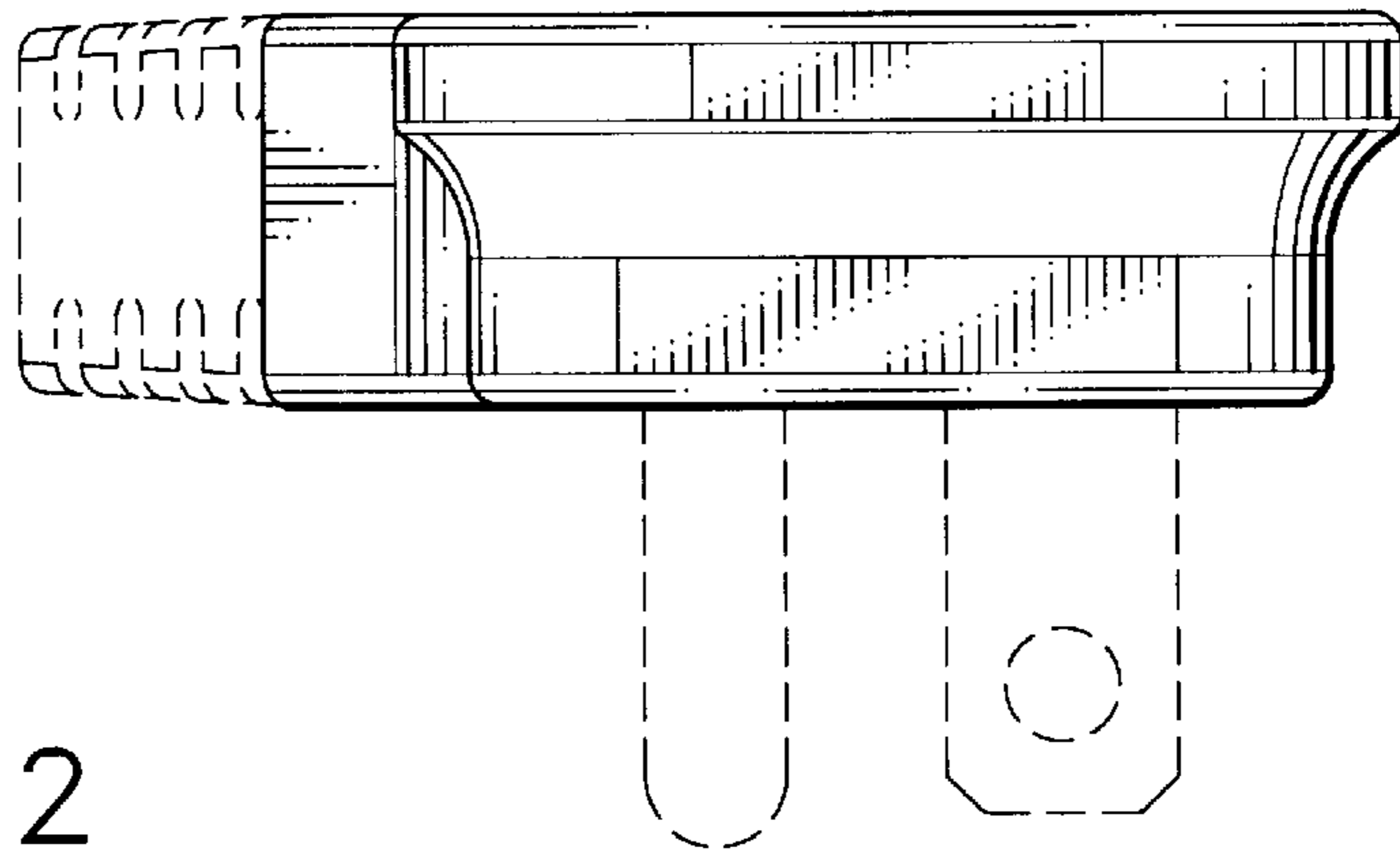


FIG. 2

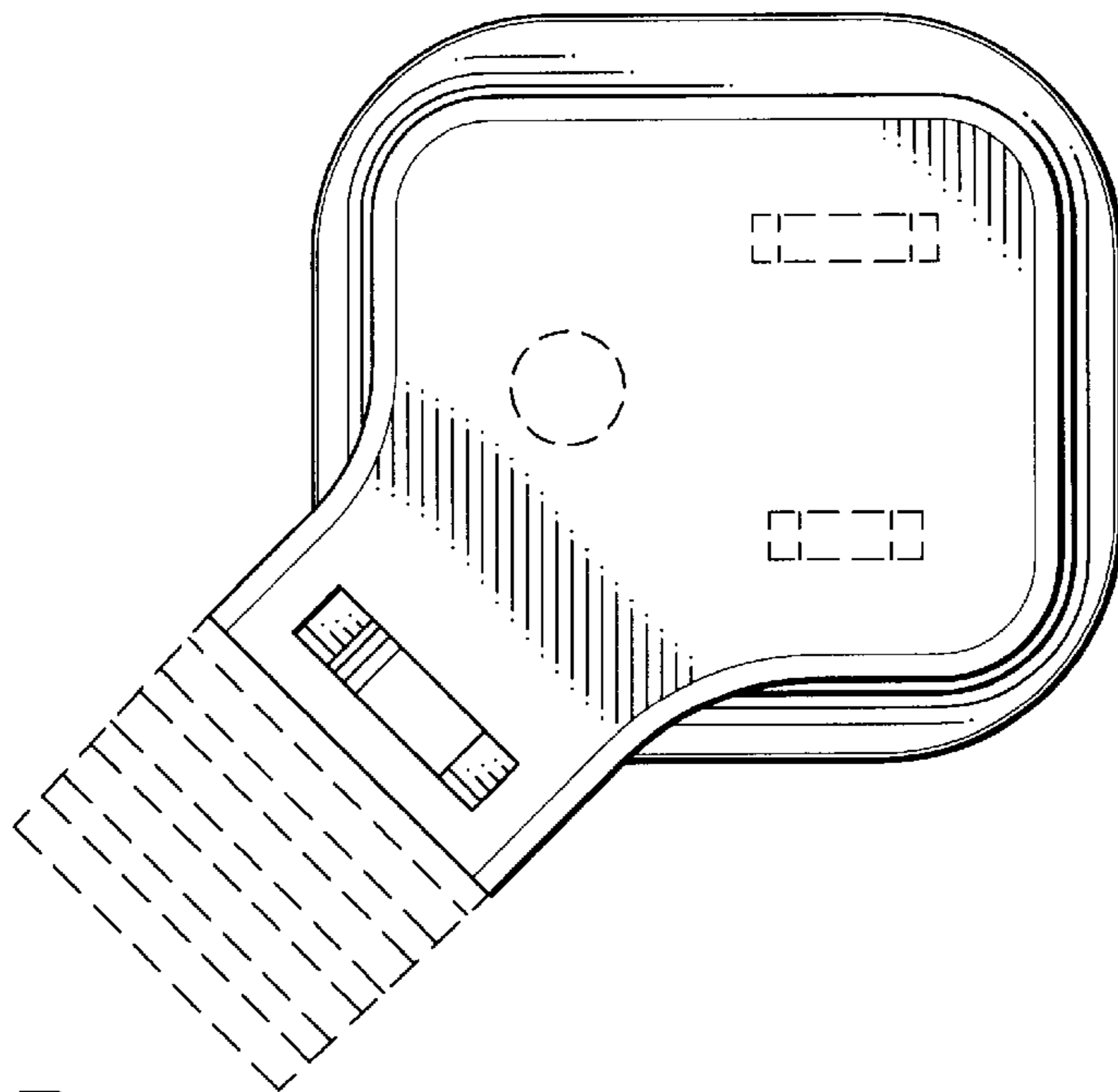


FIG. 3

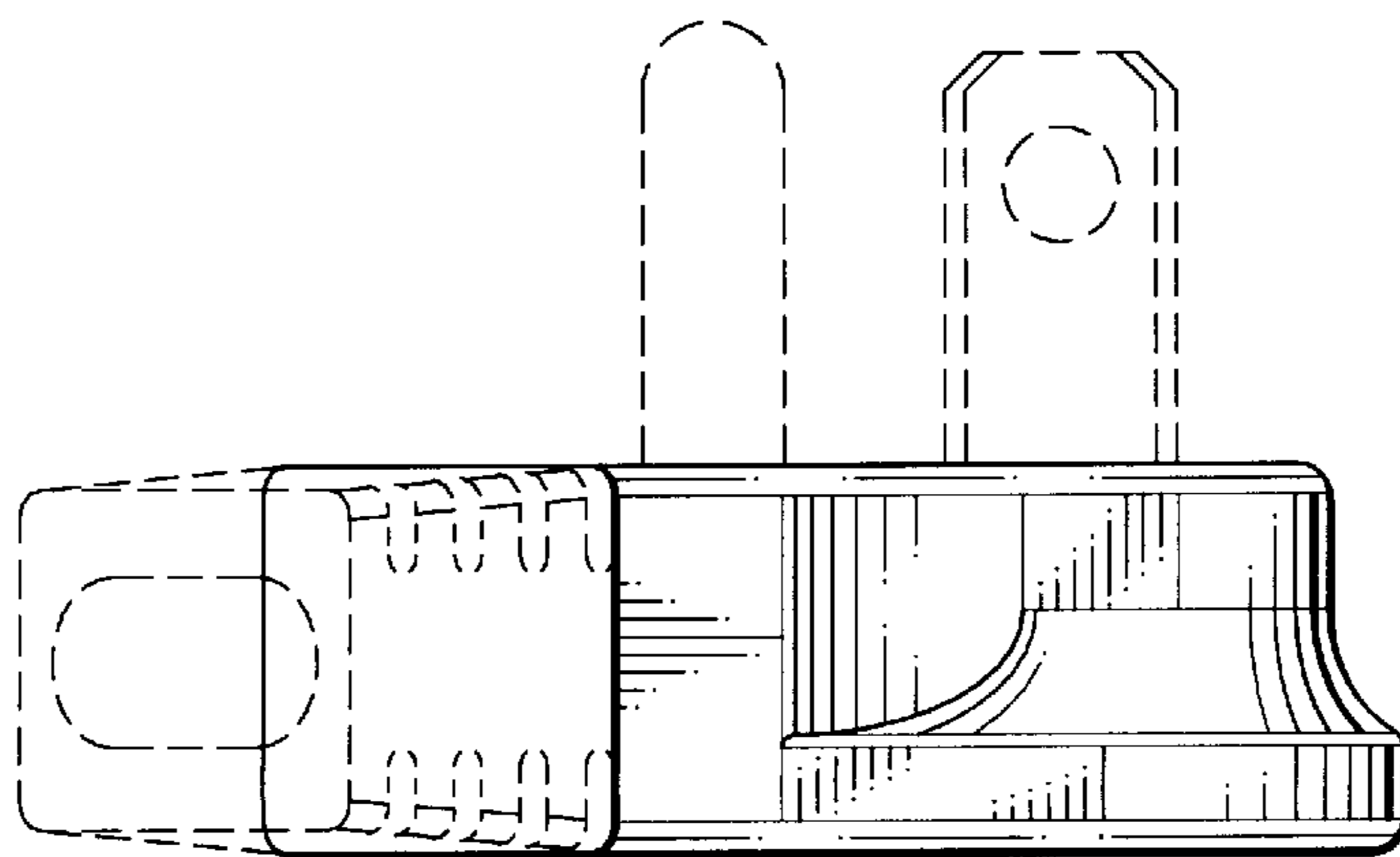


FIG. 4

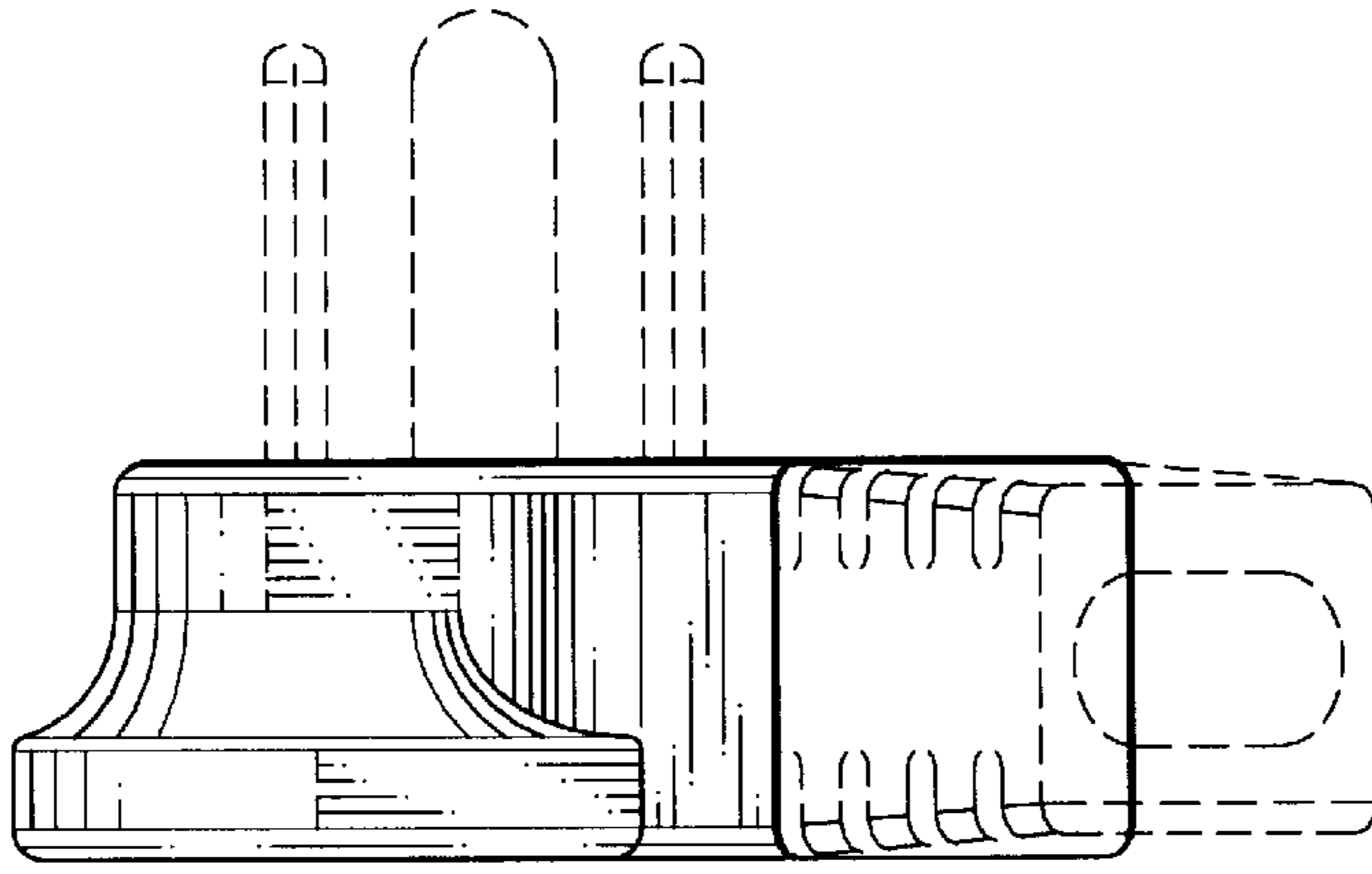


FIG. 5

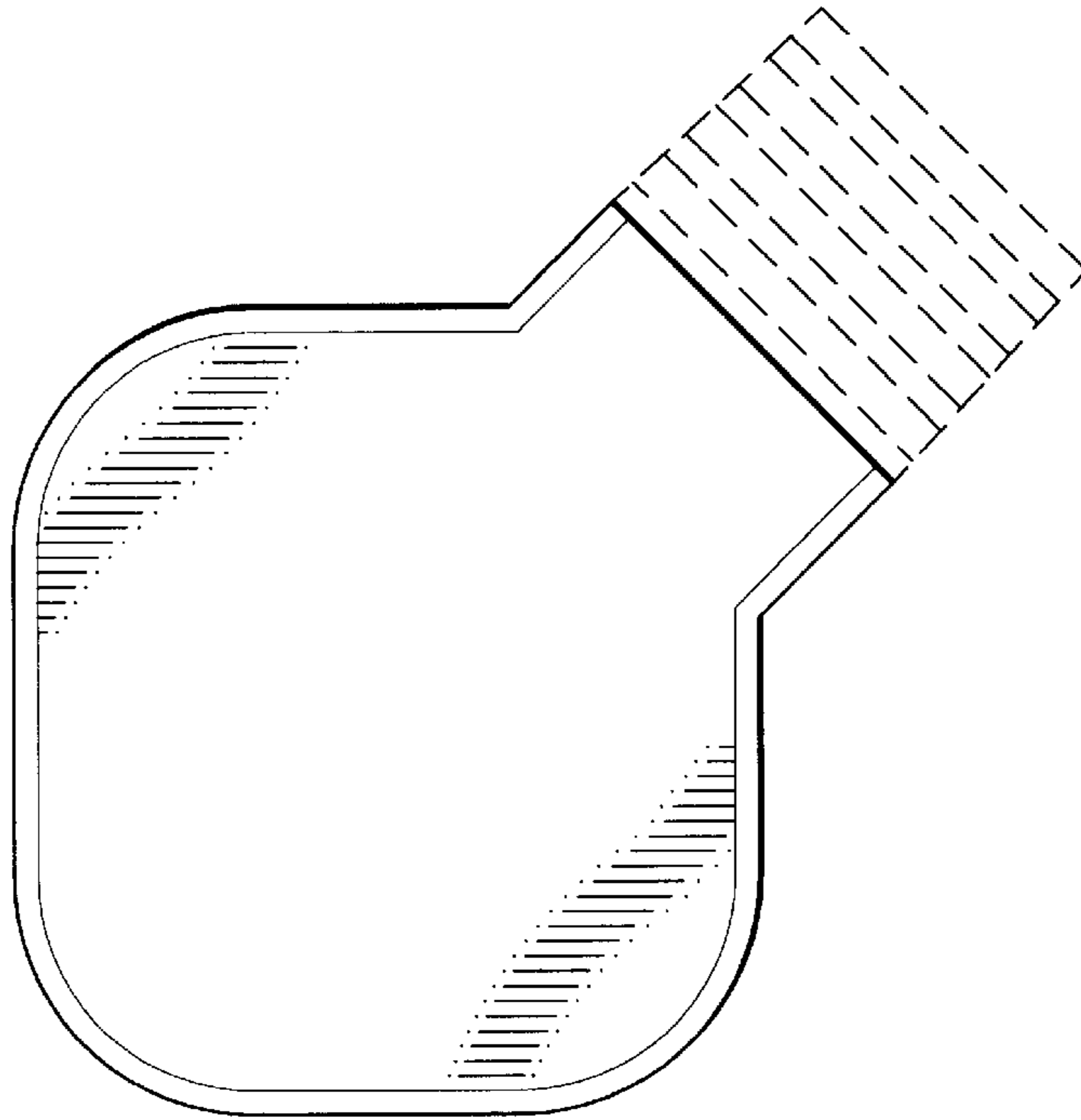


FIG. 6

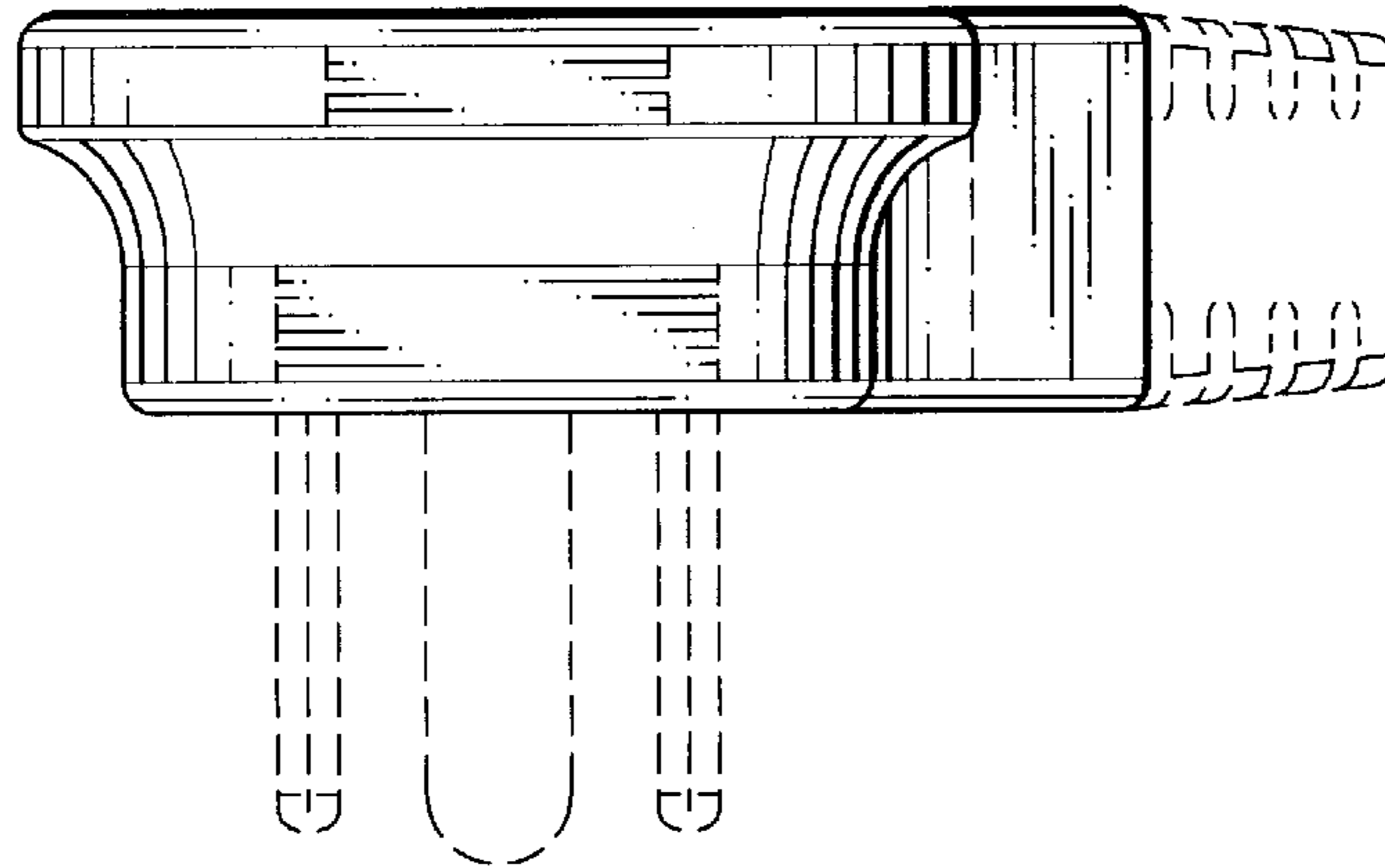


FIG. 7