



US00D402960S

**United States Patent** [19]  
**Harada**

[11] **Patent Number: Des. 402,960**  
[45] **Date of Patent: \*\*Dec. 22, 1998**

[54] **BULB SOCKET**  
[75] Inventor: **Tadashi Harada**, Shizuoka, Japan  
[73] Assignee: **Koito Manufacturing Co., Ltd.**,  
Tokyo, Japan  
[\*\*] Term: **14 Years**  
[21] Appl. No.: **70,444**  
[22] Filed: **May 9, 1997**  
[51] **LOC (6) Cl. .... 13-03**  
[52] **U.S. Cl. .... D13/134**  
[58] **Field of Search** ..... D13/134; 313/51,  
313/318.07; 439/336, 354, 356, 558, 602,  
605, 660, 699.2, 611, 612, 36; 362/226

5,630,729 5/1997 Francis ..... 439/699.2 X  
5,662,490 9/1997 Ogawa ..... 439/336

**FOREIGN PATENT DOCUMENTS**

407254466 10/1995 Japan .

*Primary Examiner*—Joel Sincavage  
*Attorney, Agent, or Firm*—Sughrue, Mion, Zinn, Macpeak  
& Seas, PLLC

[57] **CLAIM**

The ornamental design for a bulb socket, as shown.

**DESCRIPTION**

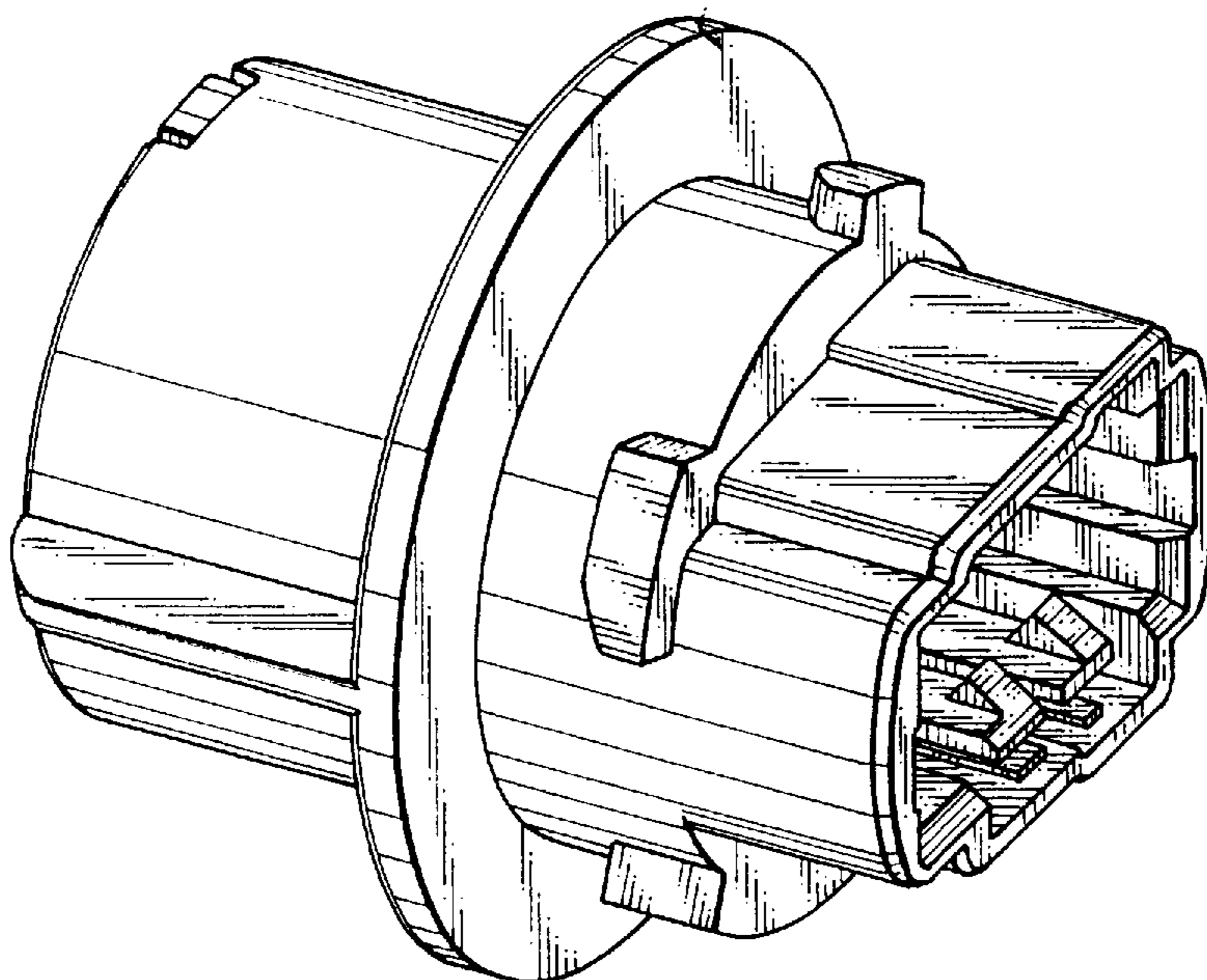
FIG. 1 is a perspective view of the front, top and right side of a bulb socket showing my new design; FIG. 2 is a front elevational view thereof; FIG. 3 is a rear elevational view thereof; FIG. 4 is a left side elevational view thereof; FIG. 5 is a right side elevational view thereof; FIG. 6 is a top plan view thereof; and, FIG. 7 is a bottom plan view thereof.

[56] **References Cited**

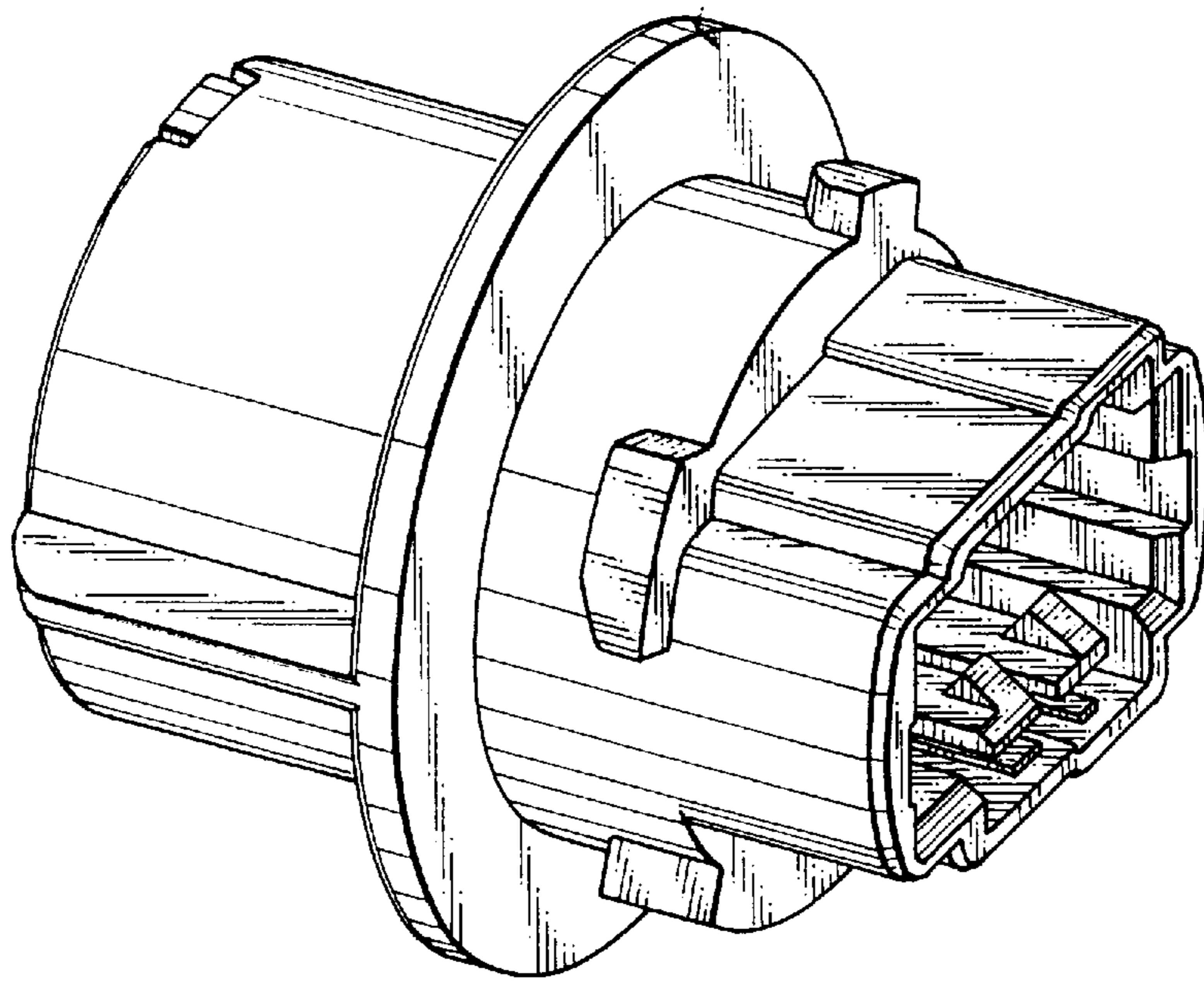
**U.S. PATENT DOCUMENTS**

D. 324,373 3/1992 Kondo et al. .... D13/134  
D. 330,366 10/1992 Henrici ..... D13/134  
4,647,132 3/1987 Mikola ..... 439/699.2 X  
4,693,958 9/1987 Baba ..... 439/699.2 X

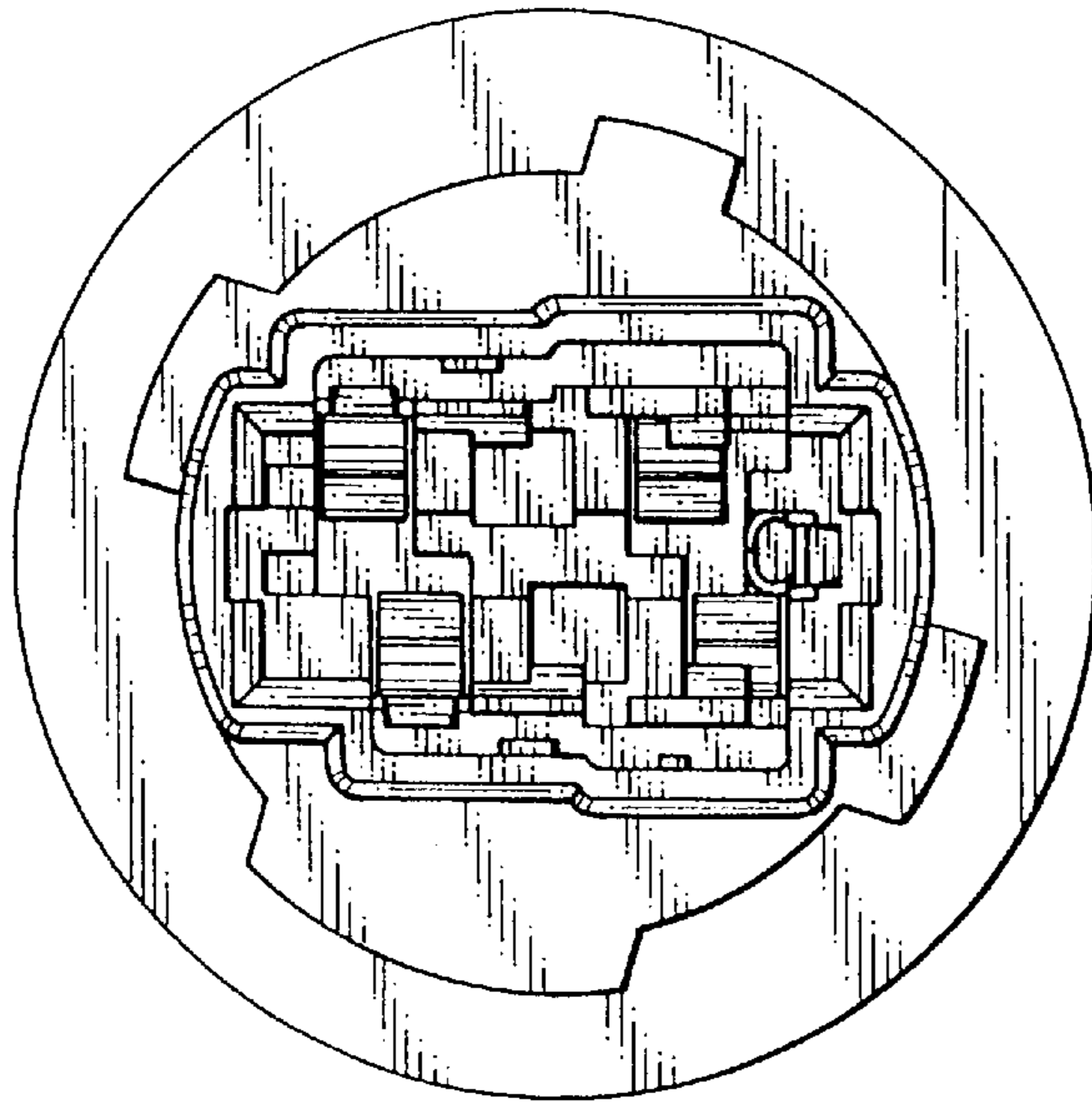
**1 Claim, 4 Drawing Sheets**



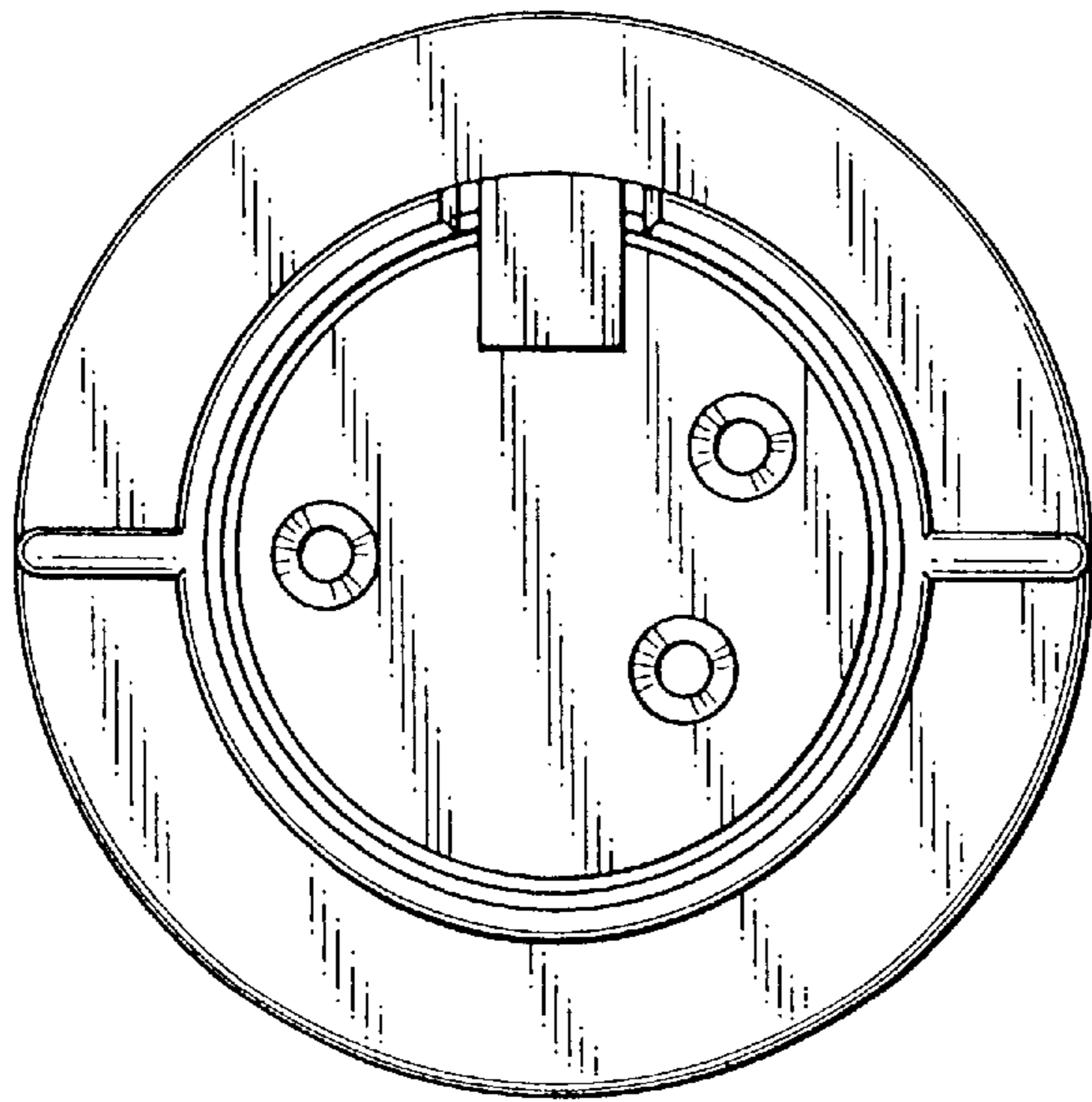
*Fig. 1*



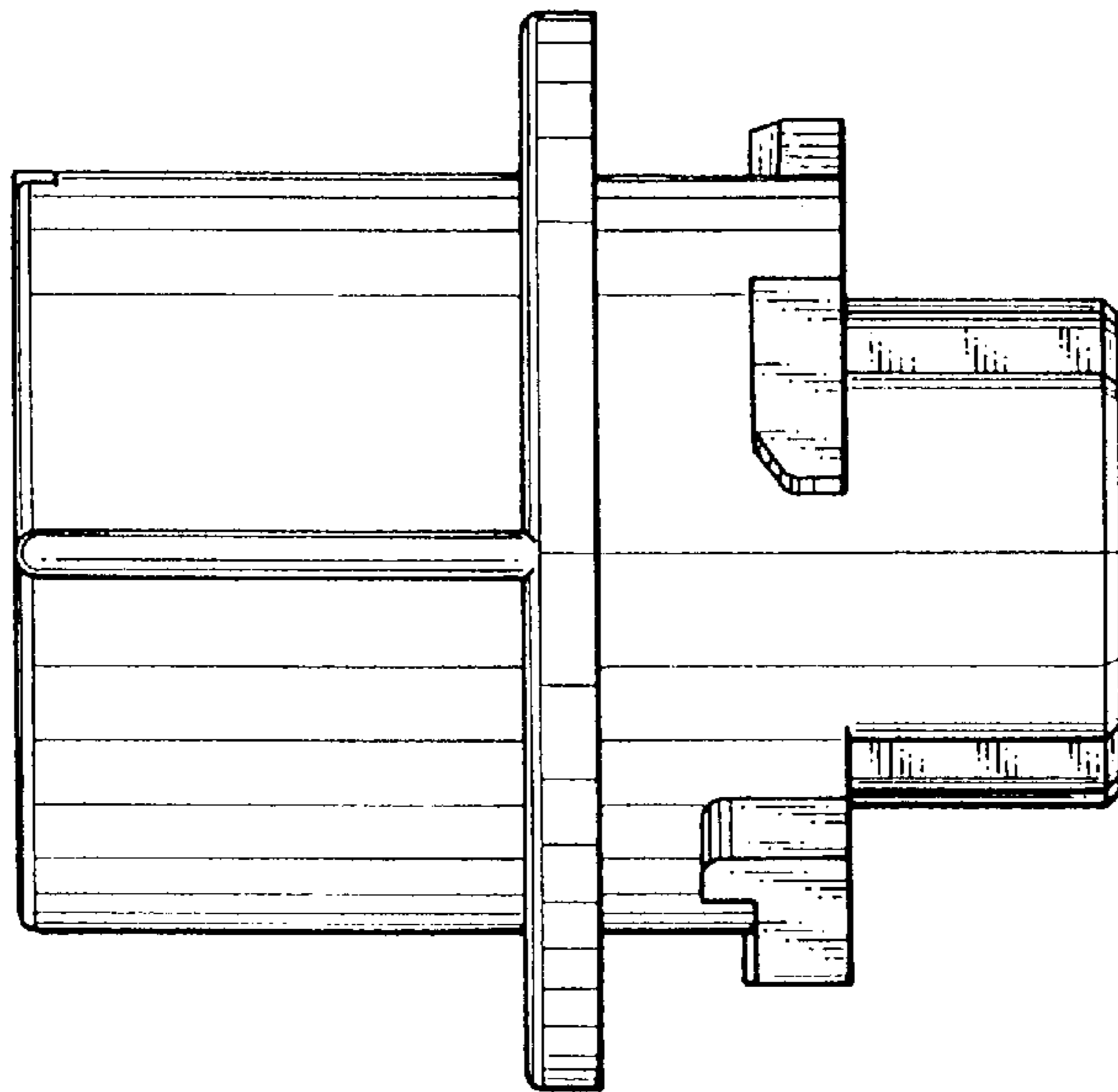
*Fig. 2*



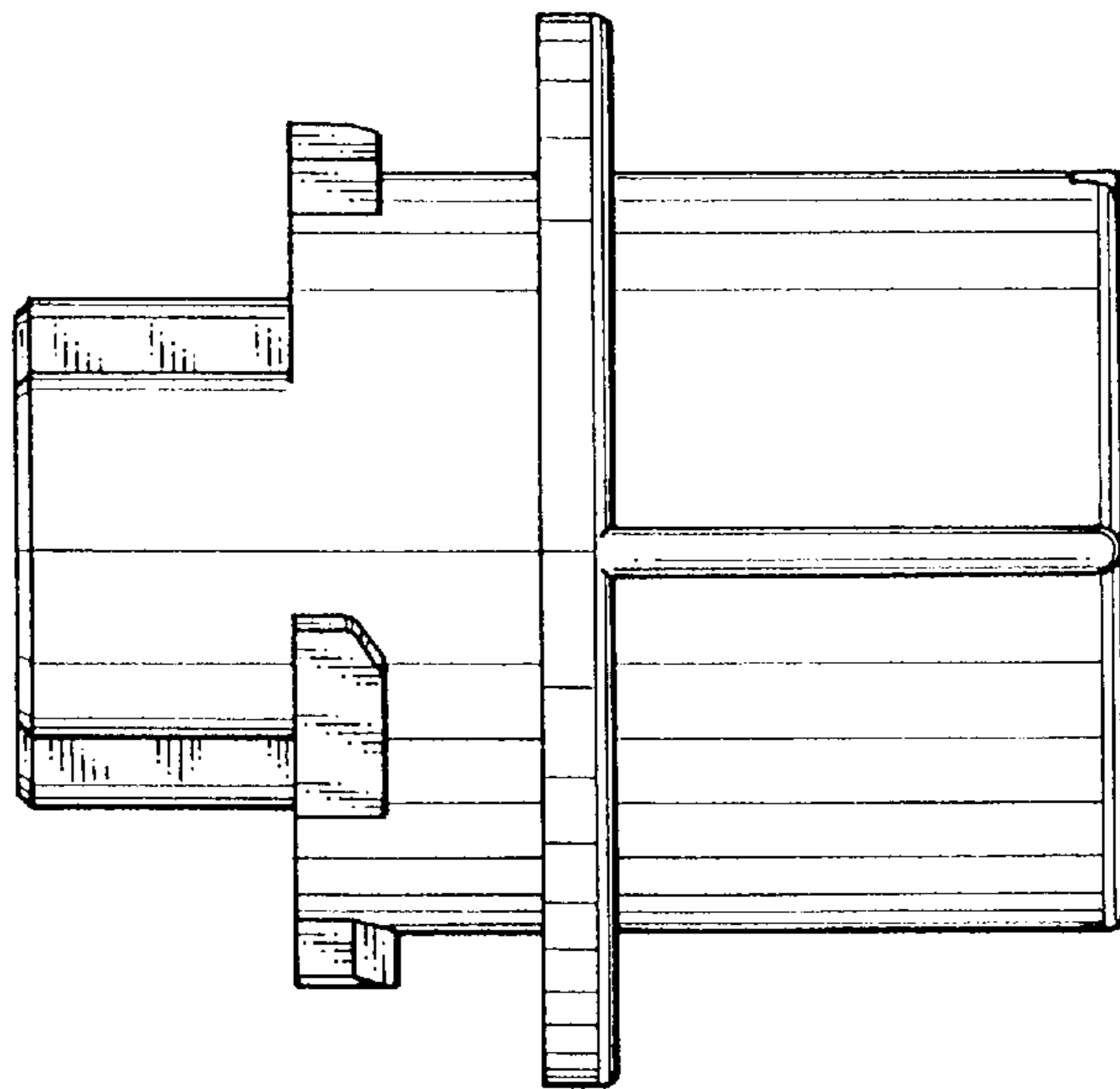
*Fig. 3*



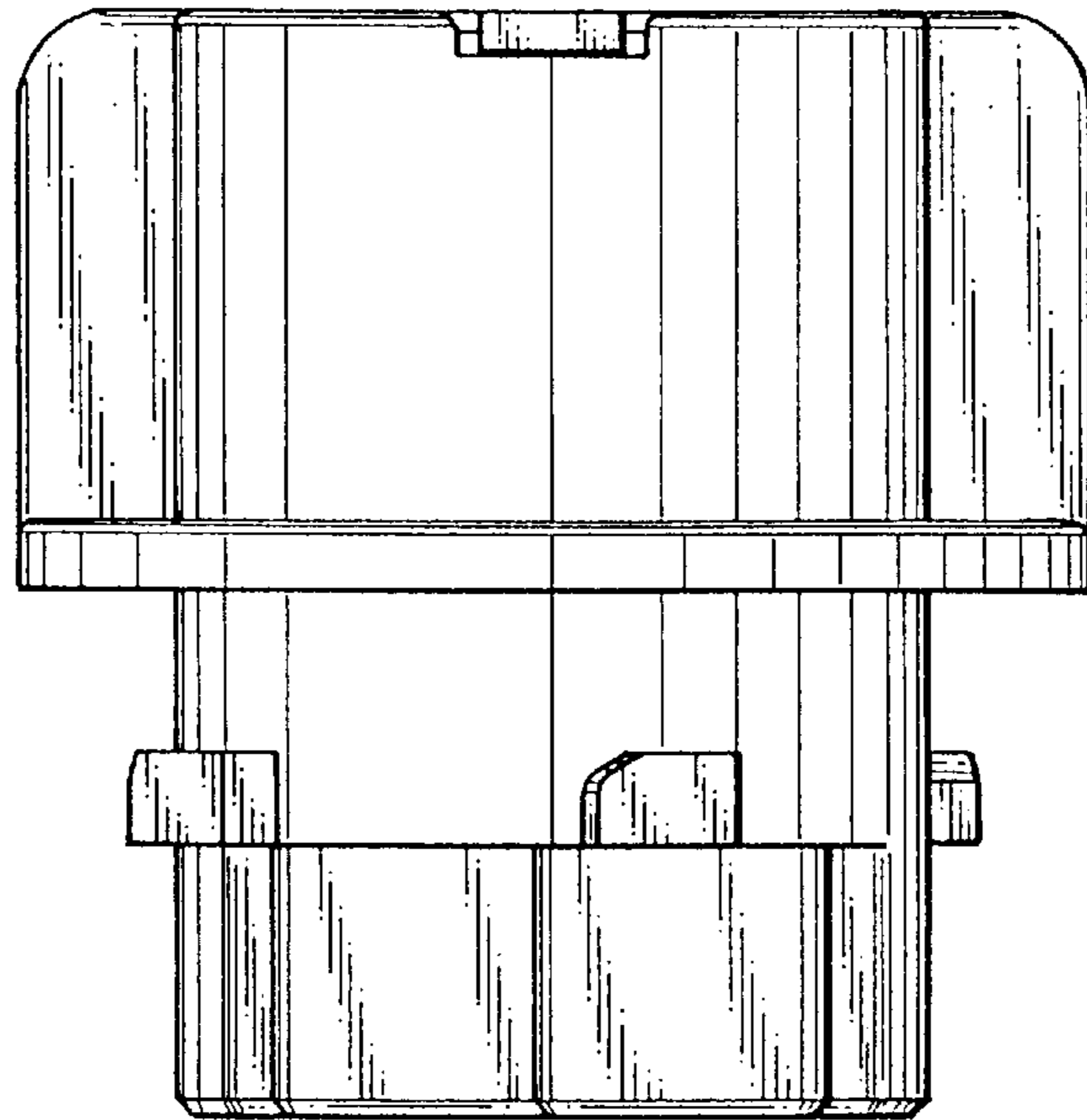
*Fig. 4*



*Fig. 5*



*Fig. 6*



*Fig. 7*

