



US00D402959S

# United States Patent [19] Harada

[11] **Patent Number: Des. 402,959**

[45] **Date of Patent: \*\*Dec. 22, 1998**

[54] **BULB SOCKET**

5,631,823 5/1997 Furuta et al. .... 439/699.2  
5,716,240 2/1998 Harada ..... 439/699.2

[75] Inventor: **Tadashi Harada**, Shizuoka, Japan

### FOREIGN PATENT DOCUMENTS

[73] Assignee: **Koito Manufacturing Co., Ltd.**,  
Shizuoka, Japan

407254466 10/1995 Japan .

[\*\*] Term: **14 Years**

*Primary Examiner*—Joel Sincavage  
*Attorney, Agent, or Firm*—Sughrue, Mion, Zinn, Macpeak  
& Seas, PLLC

[21] Appl. No.: **70,443**

### [57] CLAIM

[22] Filed: **May 9, 1997**

The ornamental design for a bulb socket, as shown.

[51] **LOC (6) Cl.** ..... **13-03**

### DESCRIPTION

[52] **U.S. Cl.** ..... **D13/134**

[58] **Field of Search** ..... D13/134; 313/51,  
313/318.07; 439/336, 354, 356, 558, 602,  
605, 660, 699.2, 611, 612, 36; 362/226

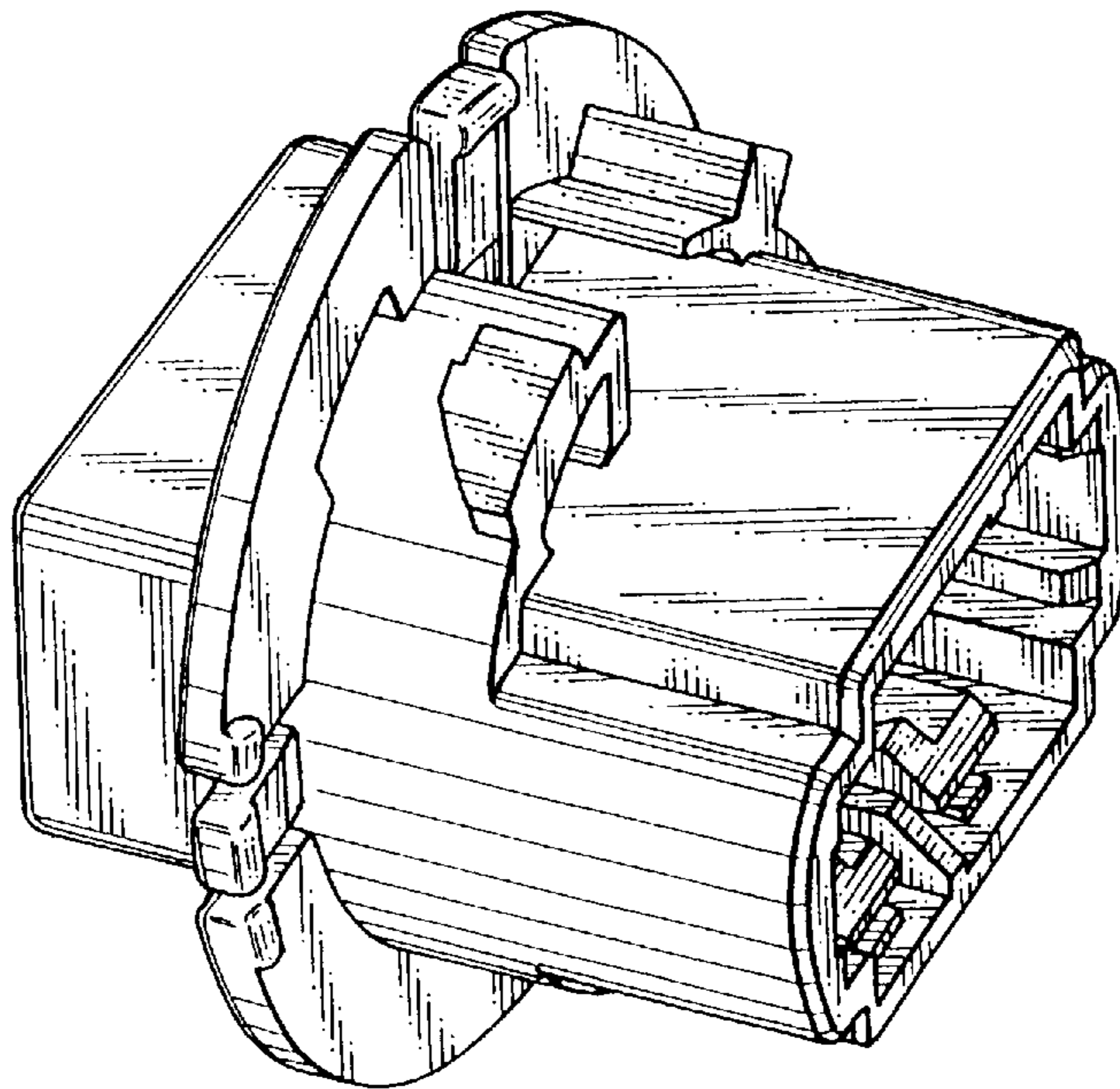
FIG. 1 is a perspective view of the front, top and right side of a bulb socket showing my new design;  
FIG. 2 is a front elevational view thereof;  
FIG. 3 is a rear elevational view thereof;  
FIG. 4 is a left side elevational view thereof;  
FIG. 5 is a right side elevational view thereof;  
FIG. 6 is a top plan view thereof; and,  
FIG. 7 is a bottom plan view thereof.

### [56] References Cited

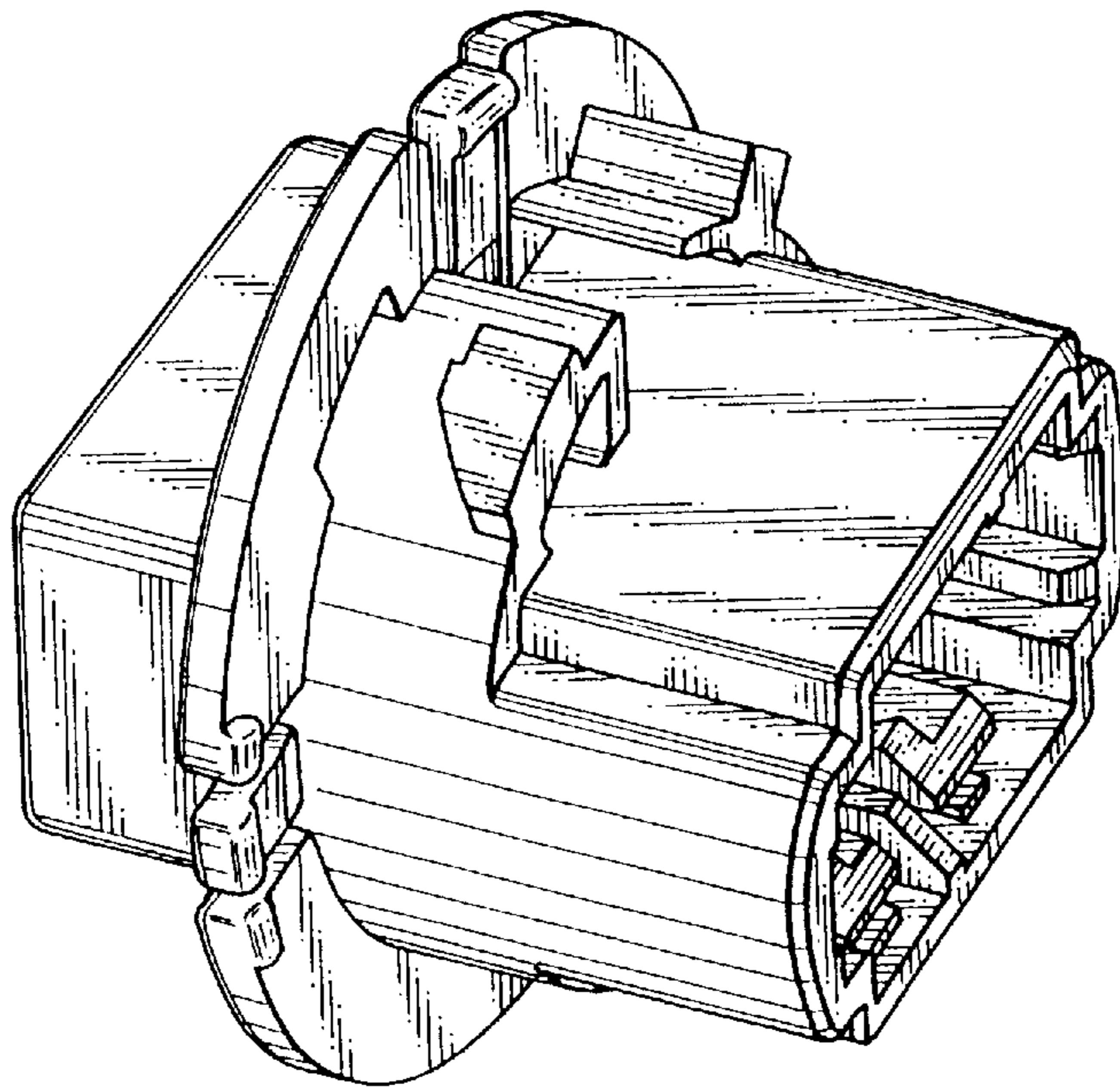
#### U.S. PATENT DOCUMENTS

D. 317,751 6/1991 Kozono ..... D13/147  
4,647,132 3/1987 Mikola ..... 439/611 X  
5,120,239 6/1992 Witek, Jr. .... 439/349

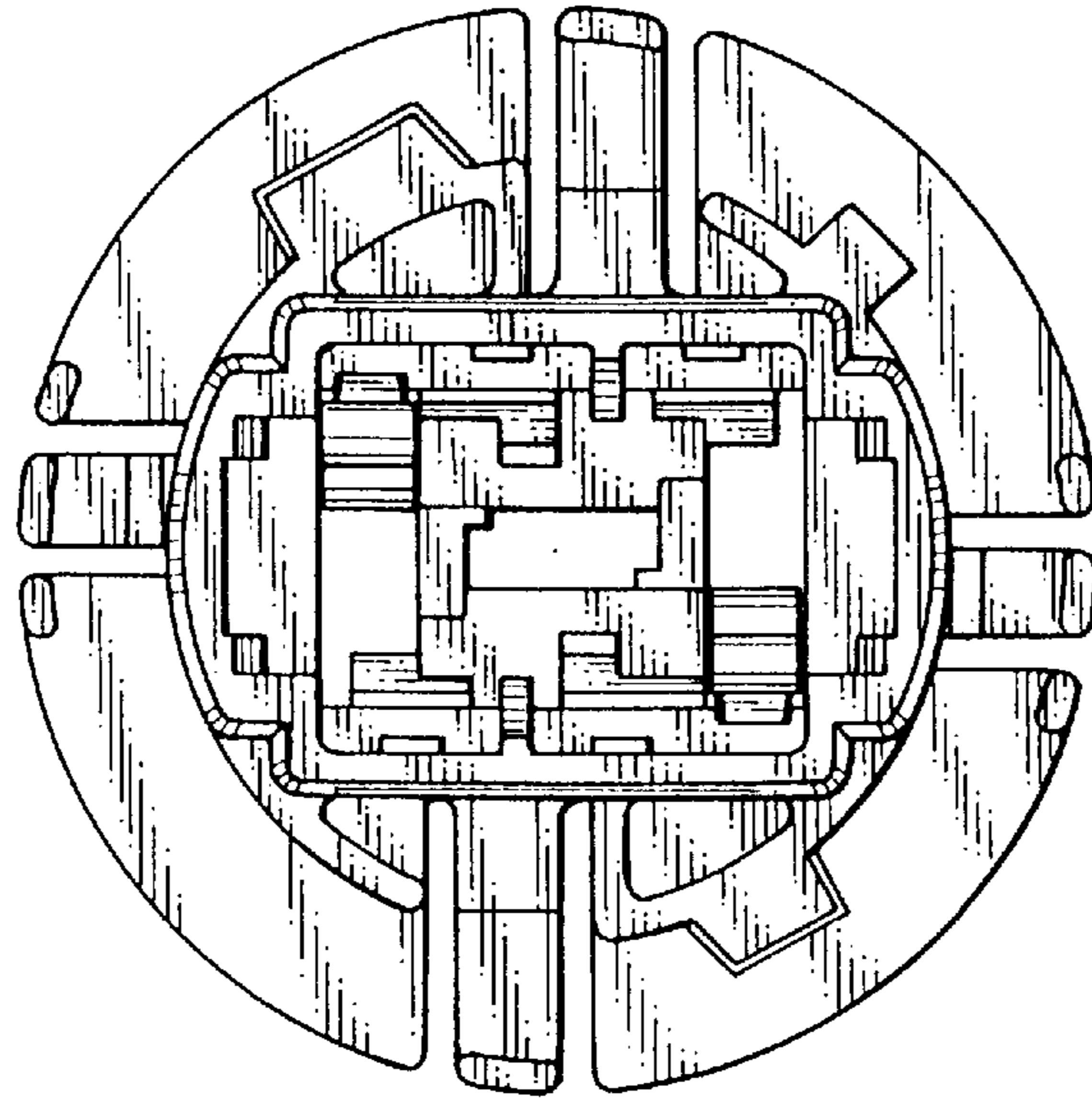
**1 Claim, 4 Drawing Sheets**



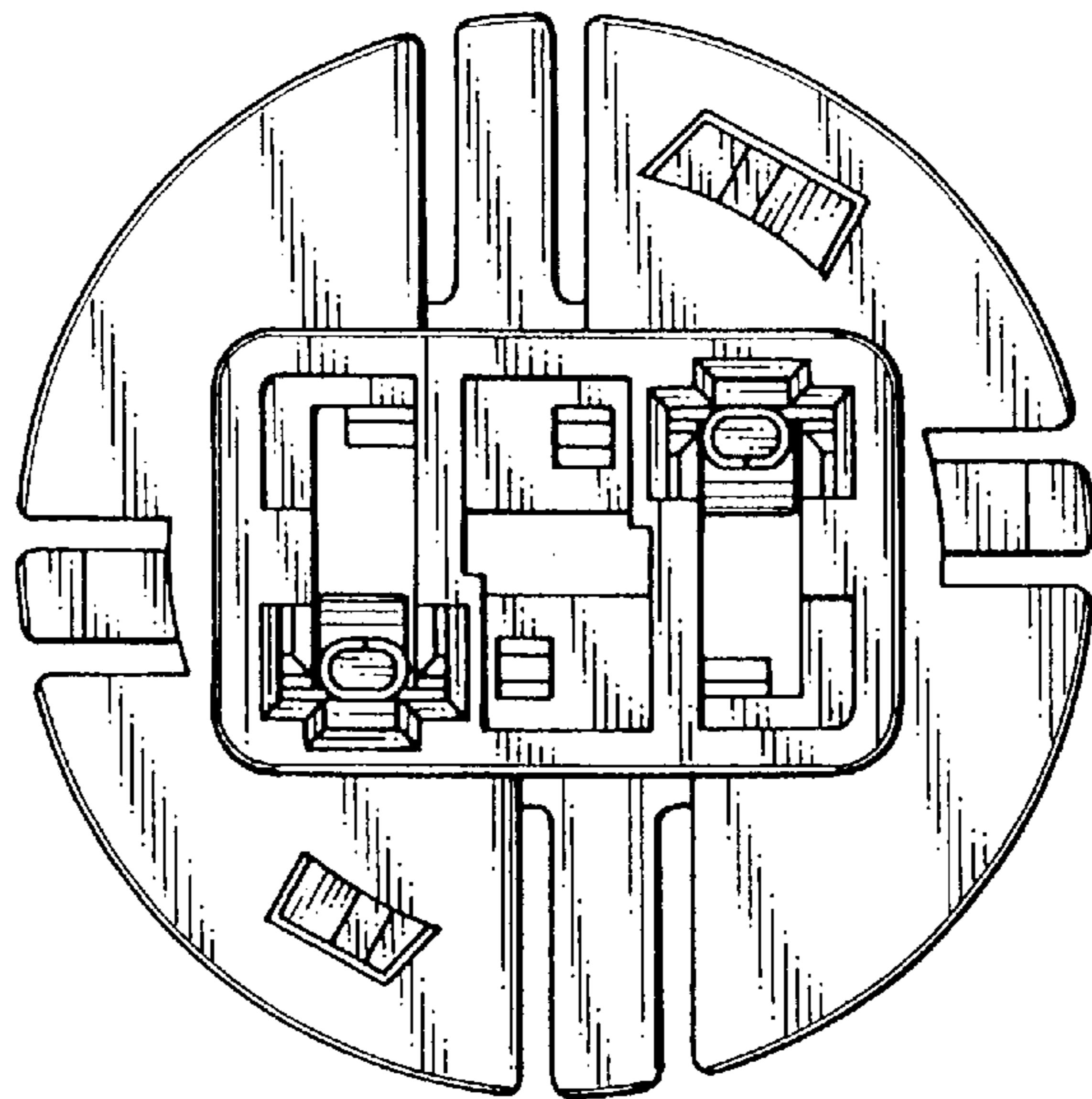
*Fig. 1*



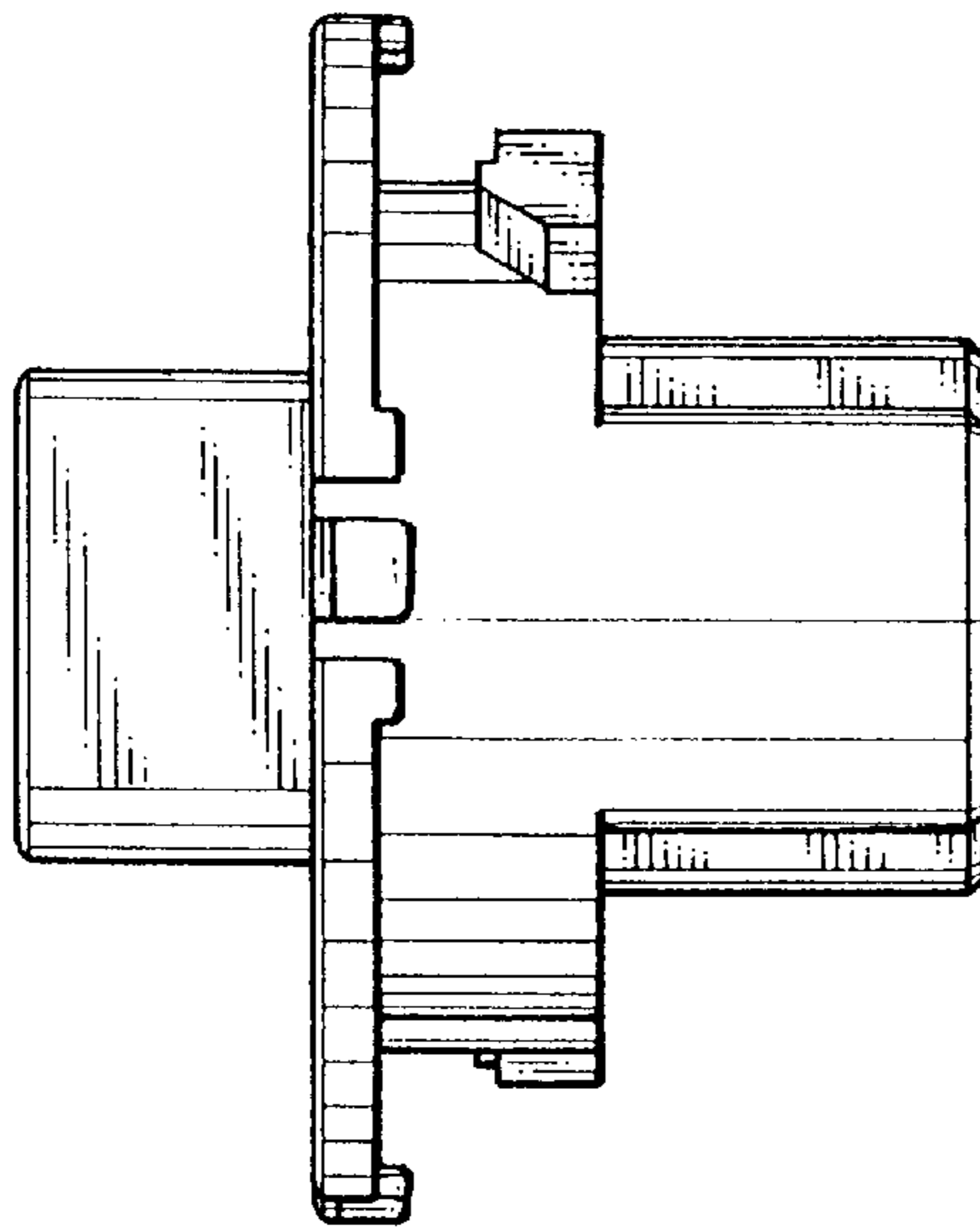
*Fig. 2*



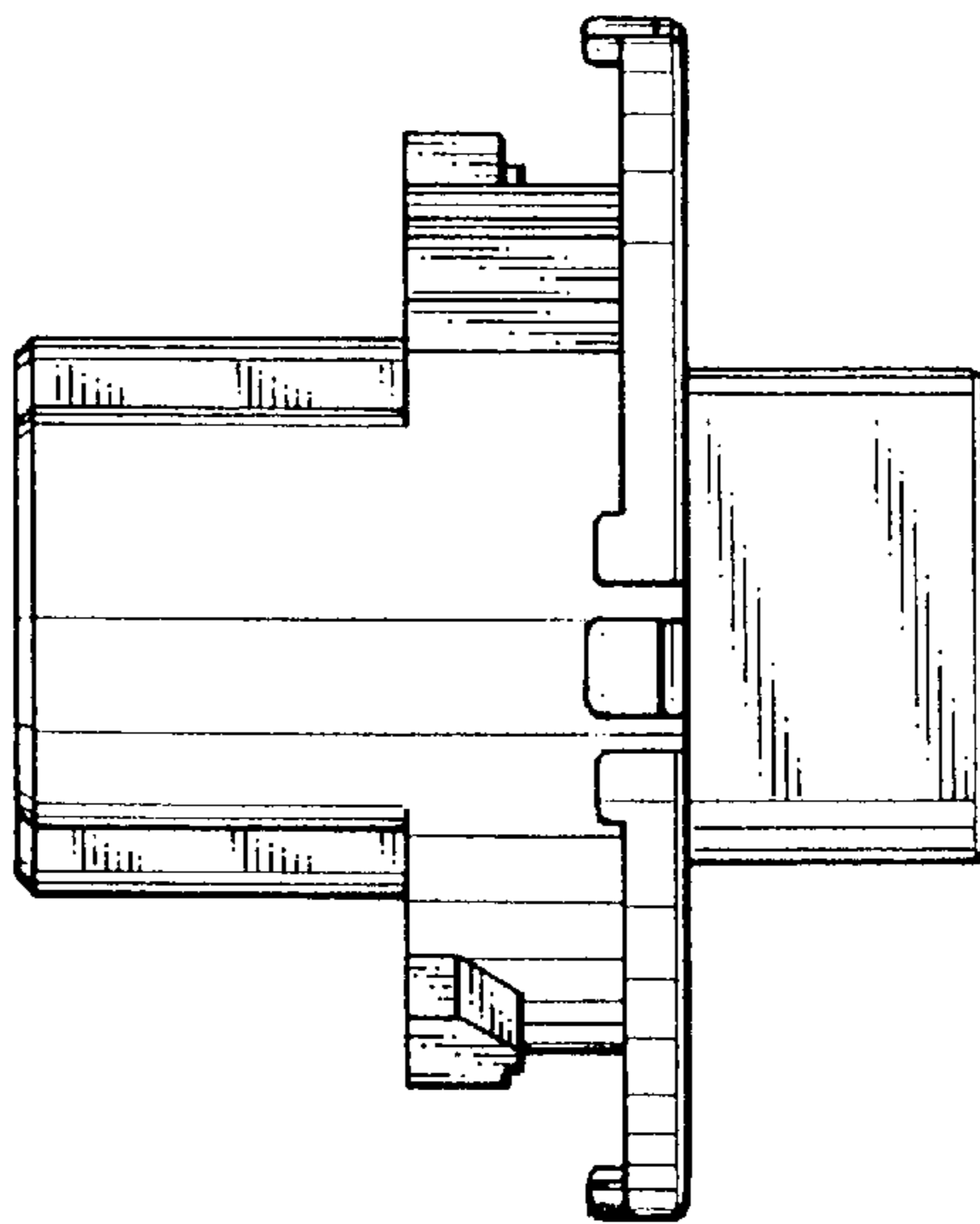
*Fig. 3*



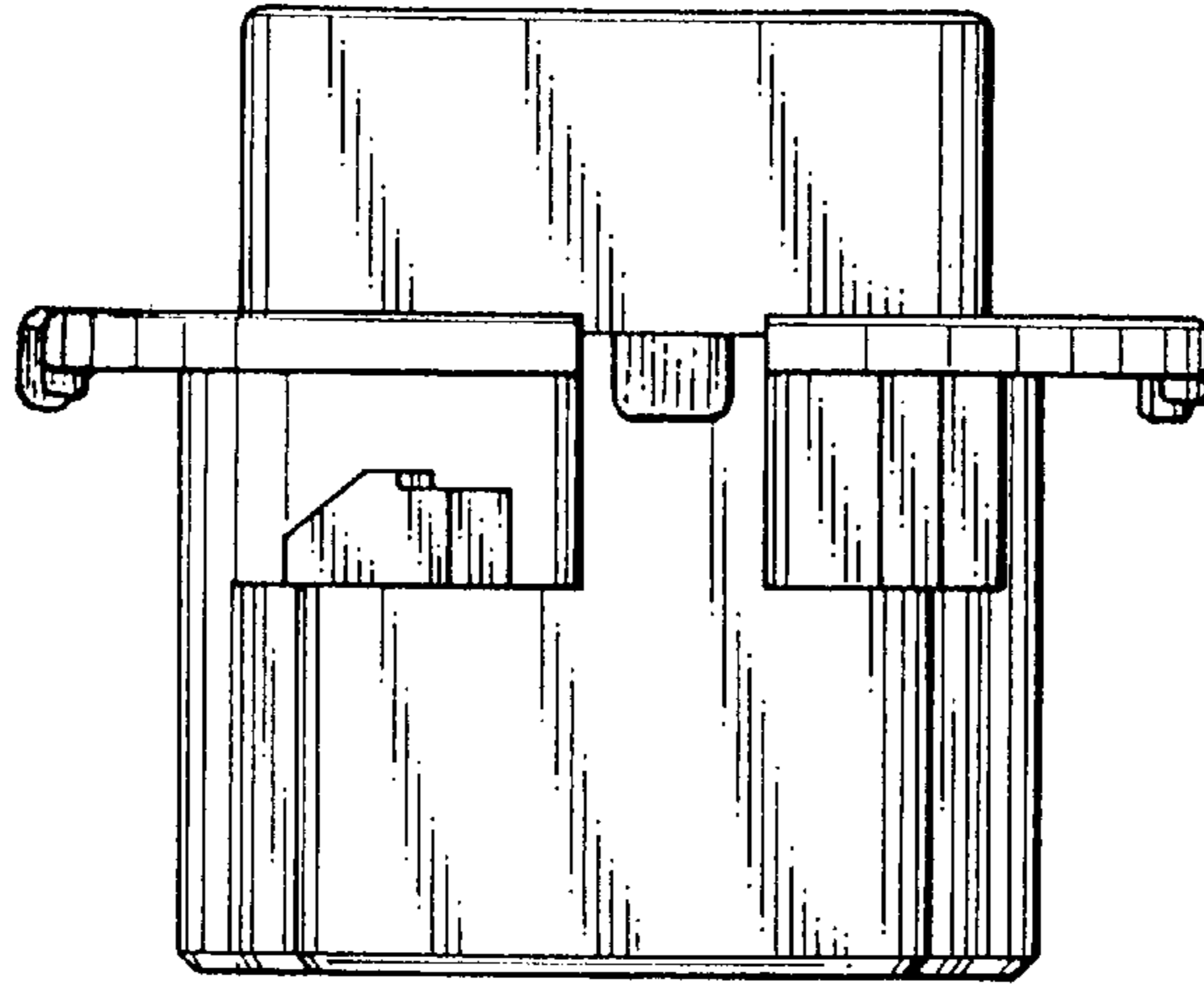
*Fig. 4*



*Fig. 5*



*Fig. 6*



*Fig. 7*

