



US00D402958S

# United States Patent [19] Sontag

[11] Patent Number: **Des. 402,958**

[45] Date of Patent: **\*\*Dec. 22, 1998**

[54] **CABLE GROUNDING DEVICE**

[75] Inventor: **Kenneth N. Sontag**, Winnipeg, Canada

[73] Assignee: **Norscan Instruments Ltd.**, Winnipeg, Canada

[\*\*] Term: **14 Years**

[21] Appl. No.: **80,062**

[22] Filed: **Nov. 26, 1997**

[51] **LOC (6) Cl.** ..... **13-03**

[52] **U.S. Cl.** ..... **D13/133**

[58] **Field of Search** ..... D13/133; 439/101, 439/108, 95-98; 174/78; 361/42

[56] **References Cited**

**U.S. PATENT DOCUMENTS**

- D. 388,052 12/1997 Lundback ..... D13/133
- 2,304,167 12/1942 Hayes ..... 174/78
- 3,046,511 7/1962 Rinehuls et al. .... 174/78 X

- 3,753,213 8/1973 Frey ..... 174/78 X
- 4,632,477 12/1986 Alger ..... 439/101
- 5,281,761 1/1994 Woo et al. .... 174/78

*Primary Examiner*—Alan P. Douglas  
*Assistant Examiner*—Lavone D. Tabor  
*Attorney, Agent, or Firm*—Murray E. Thrift; Adrian D. Battison

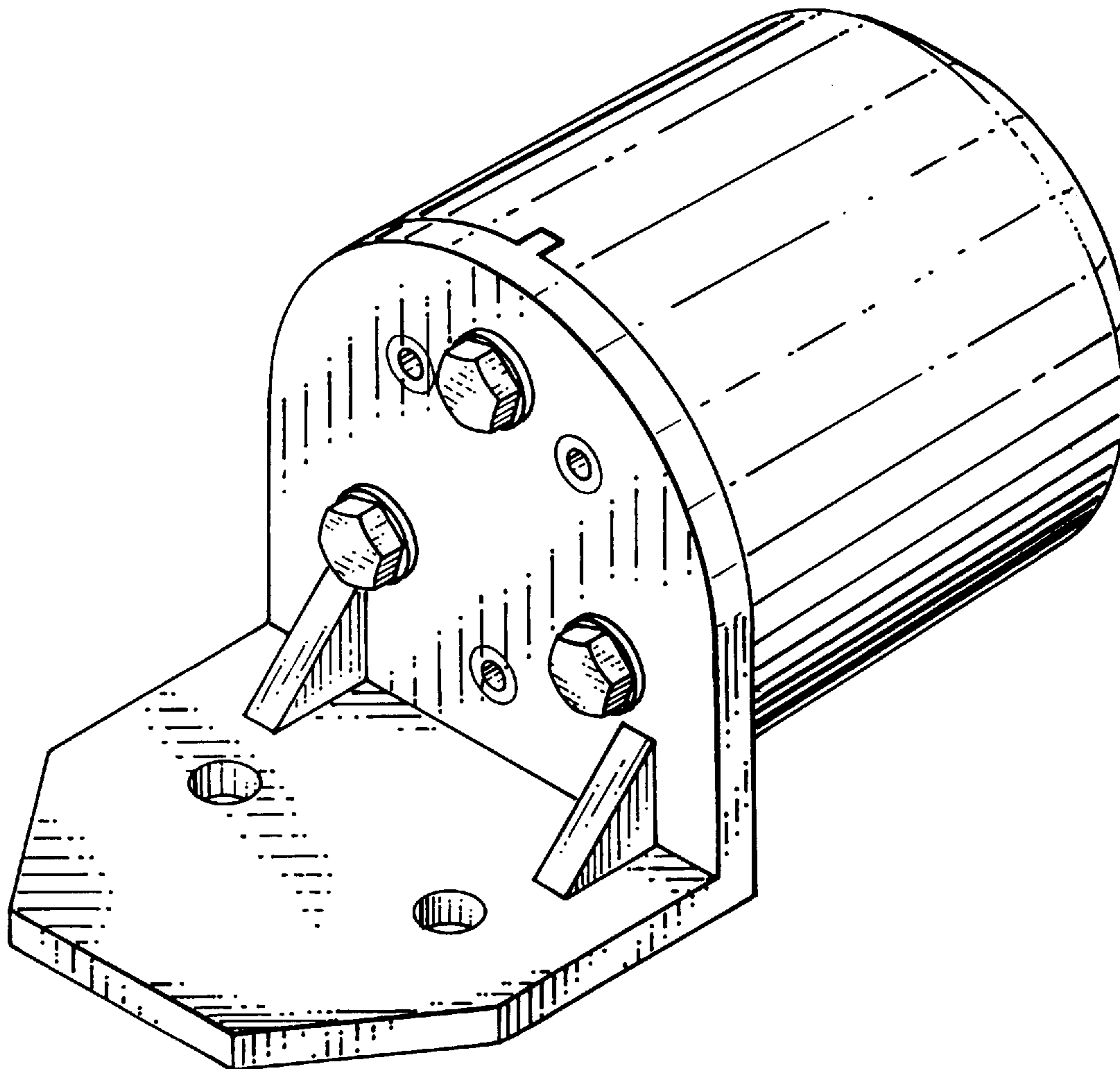
[57] **CLAIM**

The ornamental design for a cable grounding device, as shown and described.

**DESCRIPTION**

FIG. 1 is an isometric view of the my design;  
FIG. 2 is a front elevation thereof;  
FIG. 3 is a right side view thereof, the left side being the mirror image of the right side;  
FIG. 4 is a back view thereof;  
FIG. 5 is a top view thereof; and,  
FIG. 6 is a bottom view thereof.

**1 Claim, 2 Drawing Sheets**



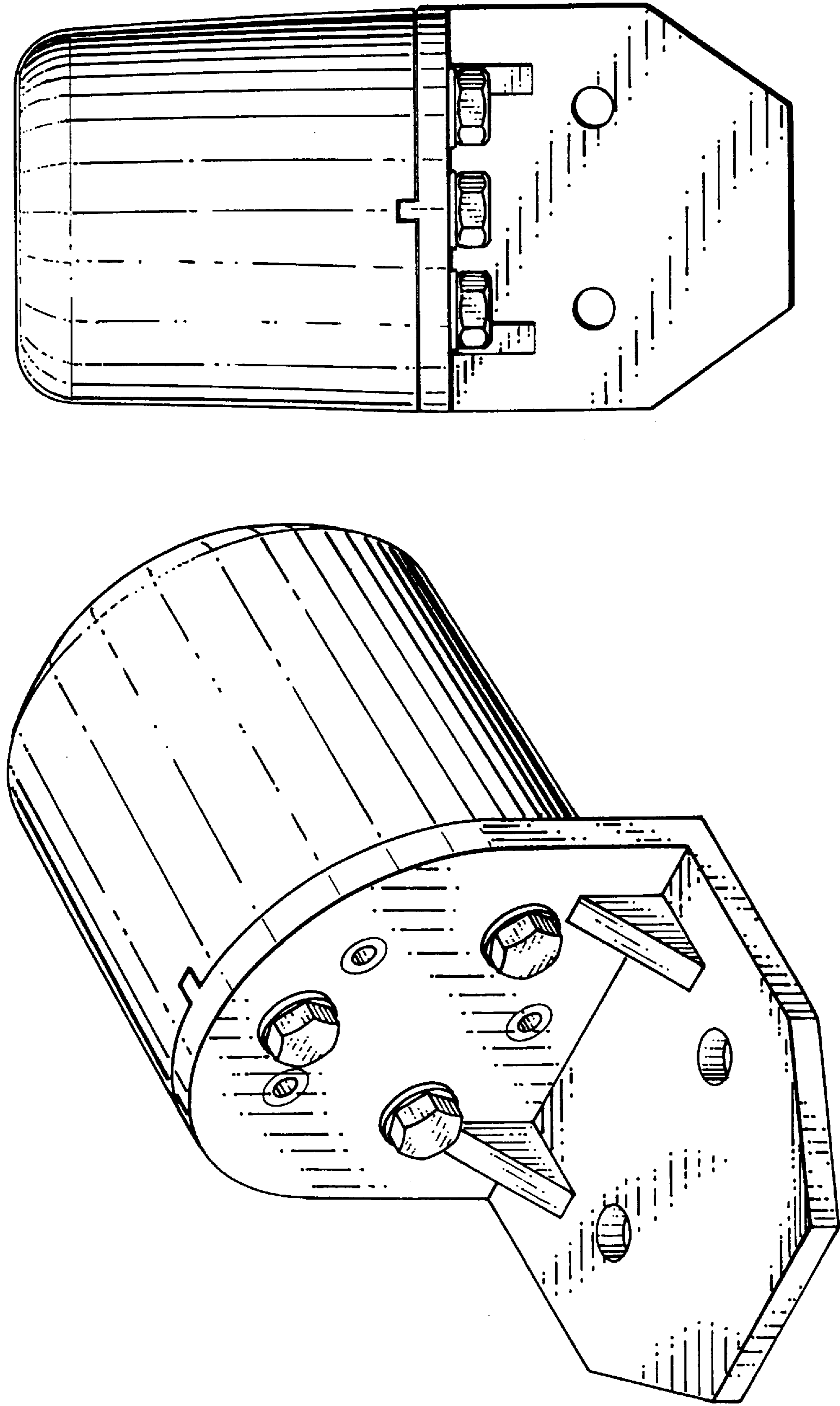


FIG. 2

FIG. 1

FIG. 3

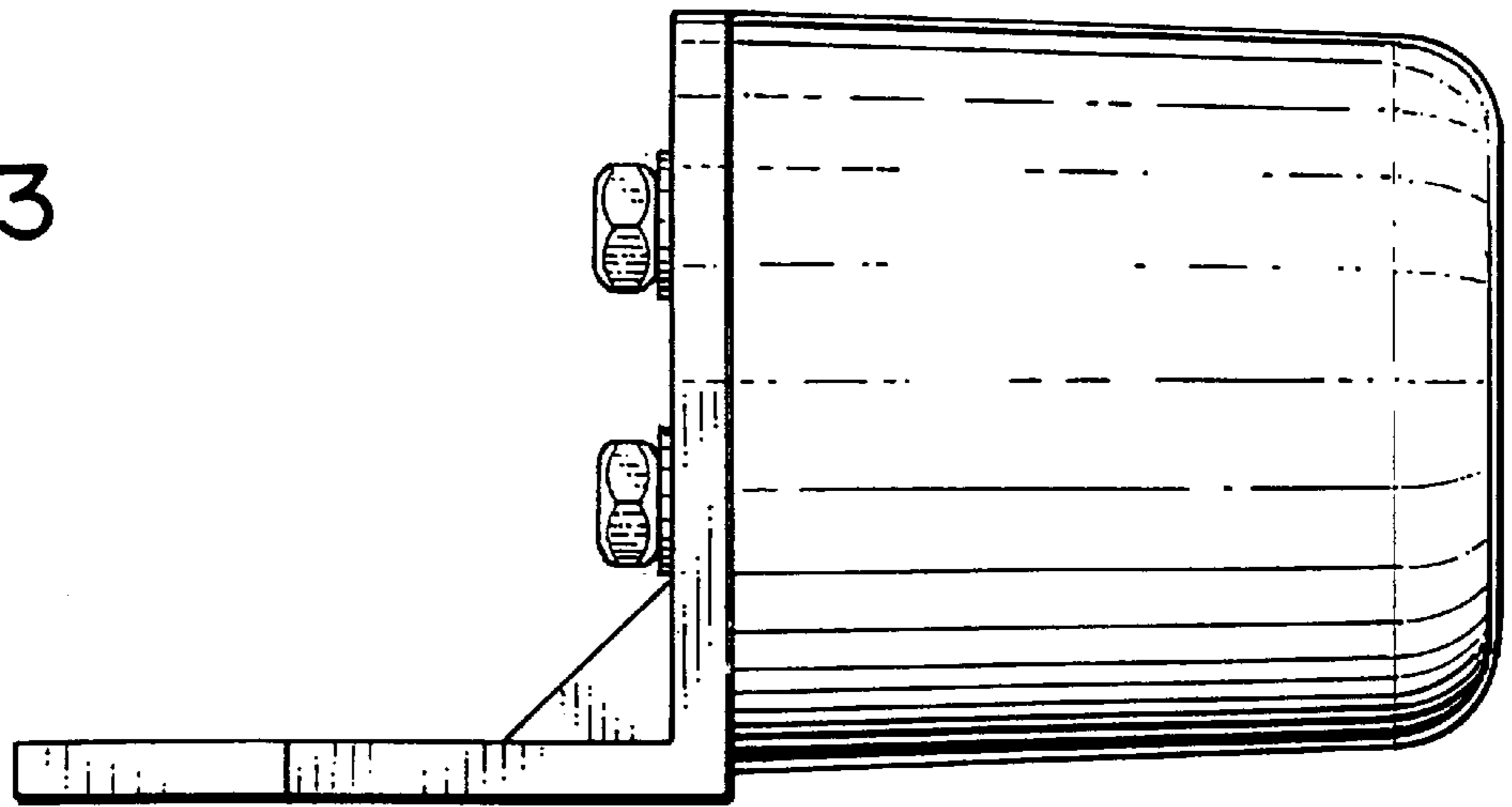


FIG. 4

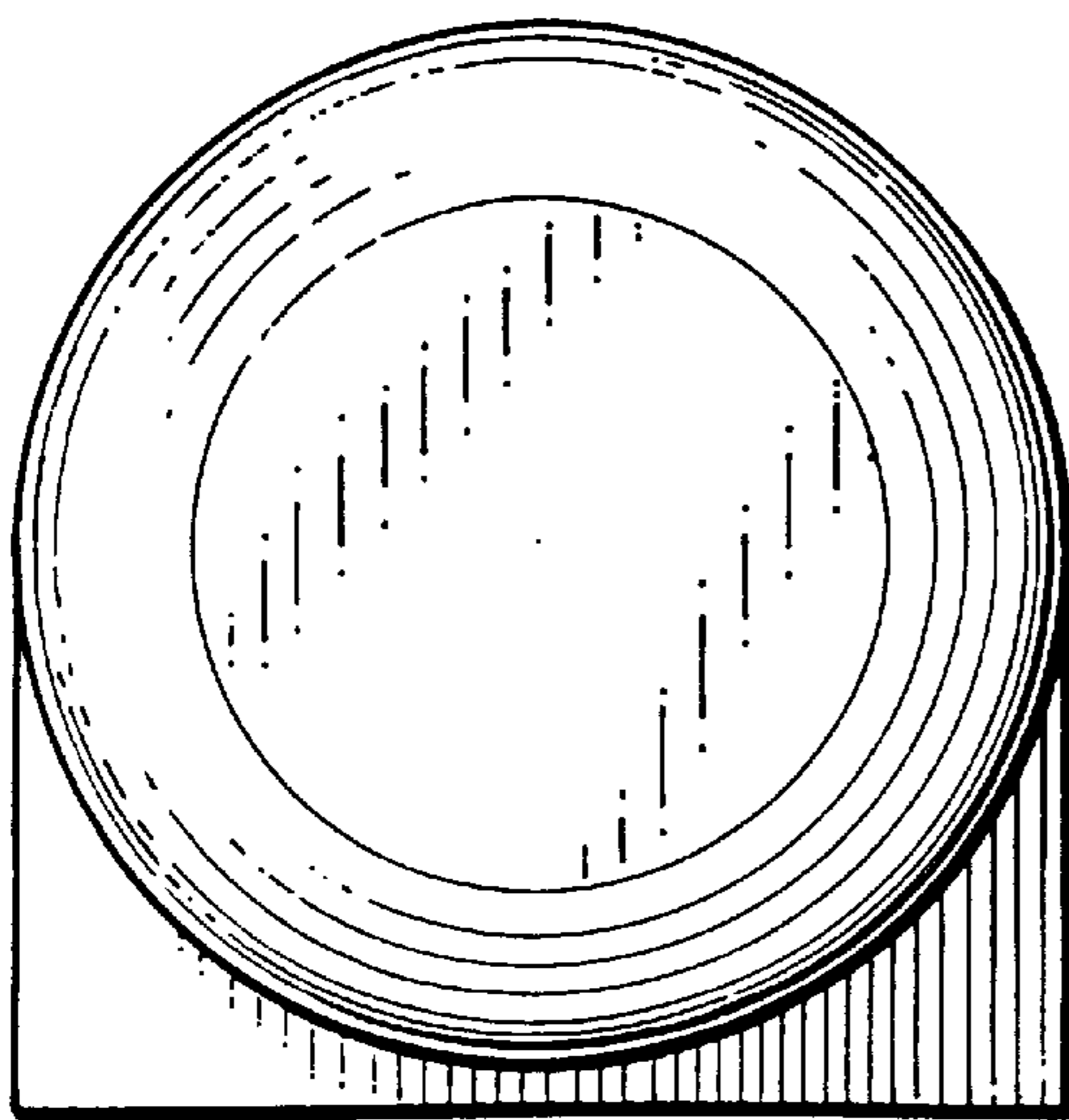
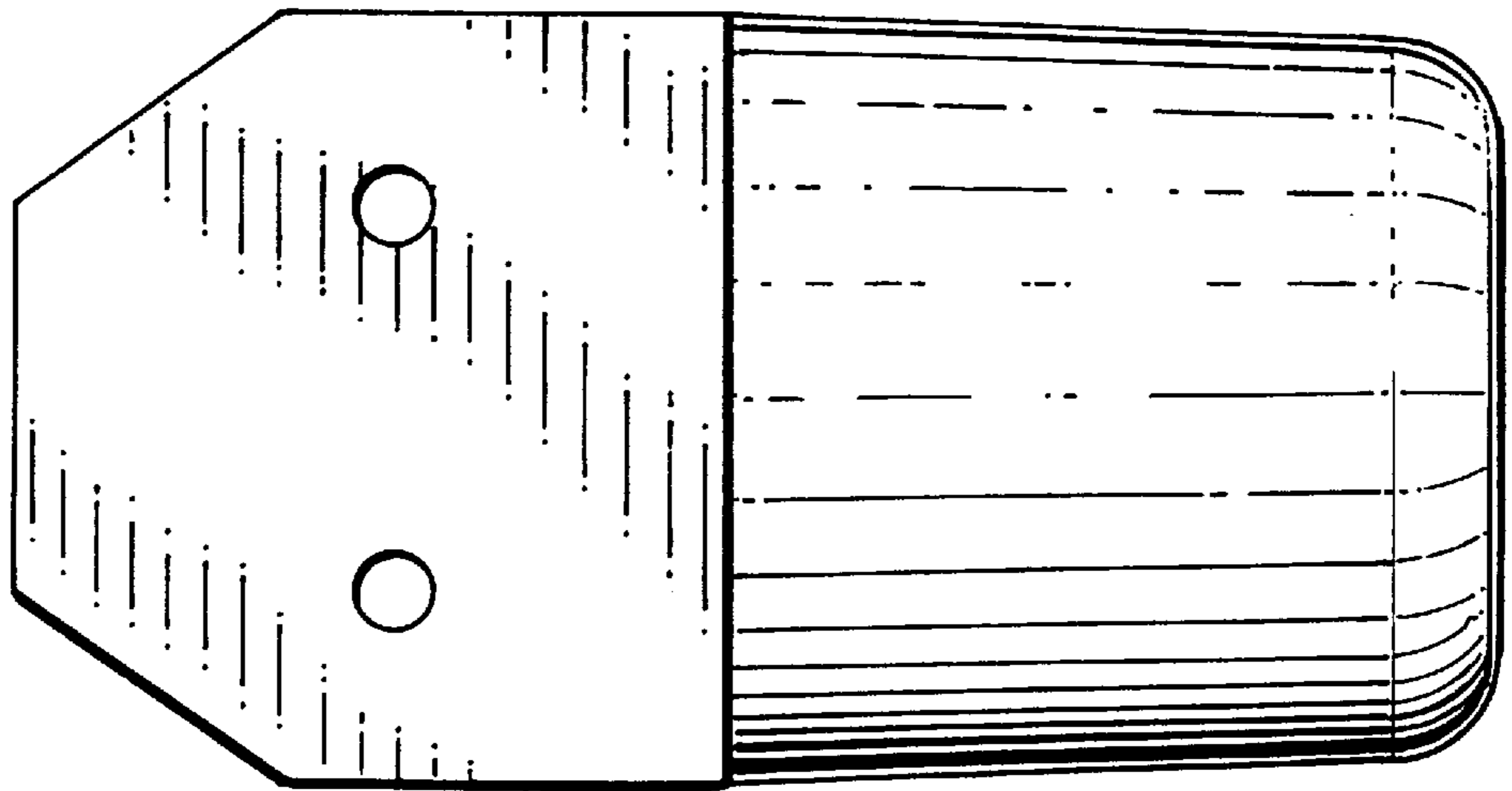


FIG. 5

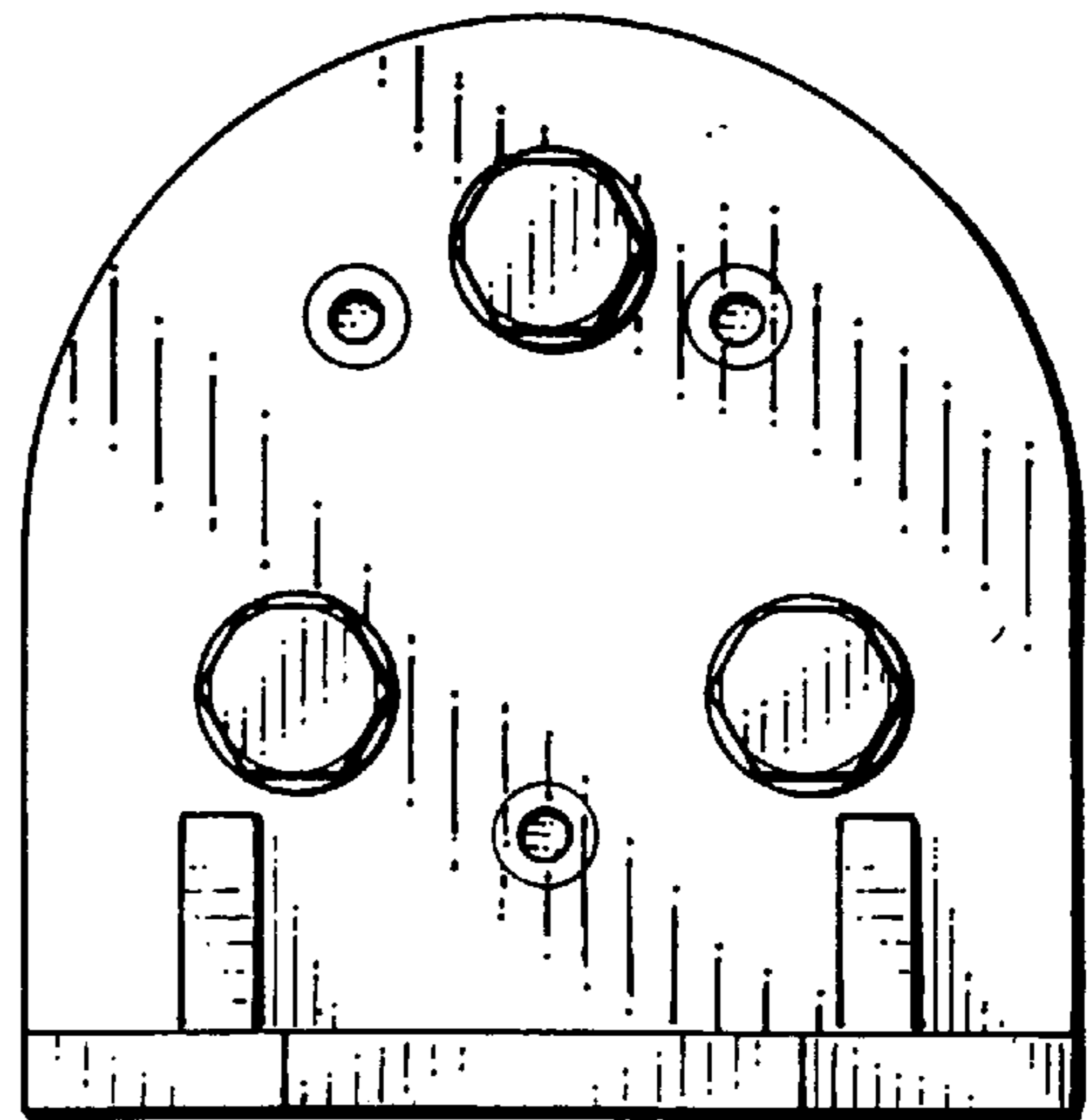


FIG. 6