



US00D402956S

United States Patent [19]
Lindahl

[11] **Patent Number: Des. 402,956**

[45] **Date of Patent: **Dec. 22, 1998**

[54] **TRAVELING CHARGER**

[75] Inventor: **Richard Lindahl**, Malmö, Sweden

[73] Assignee: **Telefonaktiebolaget LM Ericsson**, Stockholm, Sweden

[**] Term: **14 Years**

[21] Appl. No.: **62,521**

[22] Filed: **Nov. 18, 1996**

[30] **Foreign Application Priority Data**

May 17, 1996 [SE] Sweden 96-1133

[51] **LOC (6) Cl.** **13-02**

[52] **U.S. Cl.** **D13/107**

[58] **Field of Search** D13/107, 108;
320/107, 112-115

[56] **References Cited**

U.S. PATENT DOCUMENTS

D. 231,474 4/1974 Helgesson D13/107

D. 374,426 10/1996 Nuovo D13/108
5,471,658 11/1995 Iacono 320/114 X
5,648,712 7/1997 Hahn 320/2

Primary Examiner—Joel Sincavage
Attorney, Agent, or Firm—Burns, Doane, Swecker & Mathis, L.L.P.

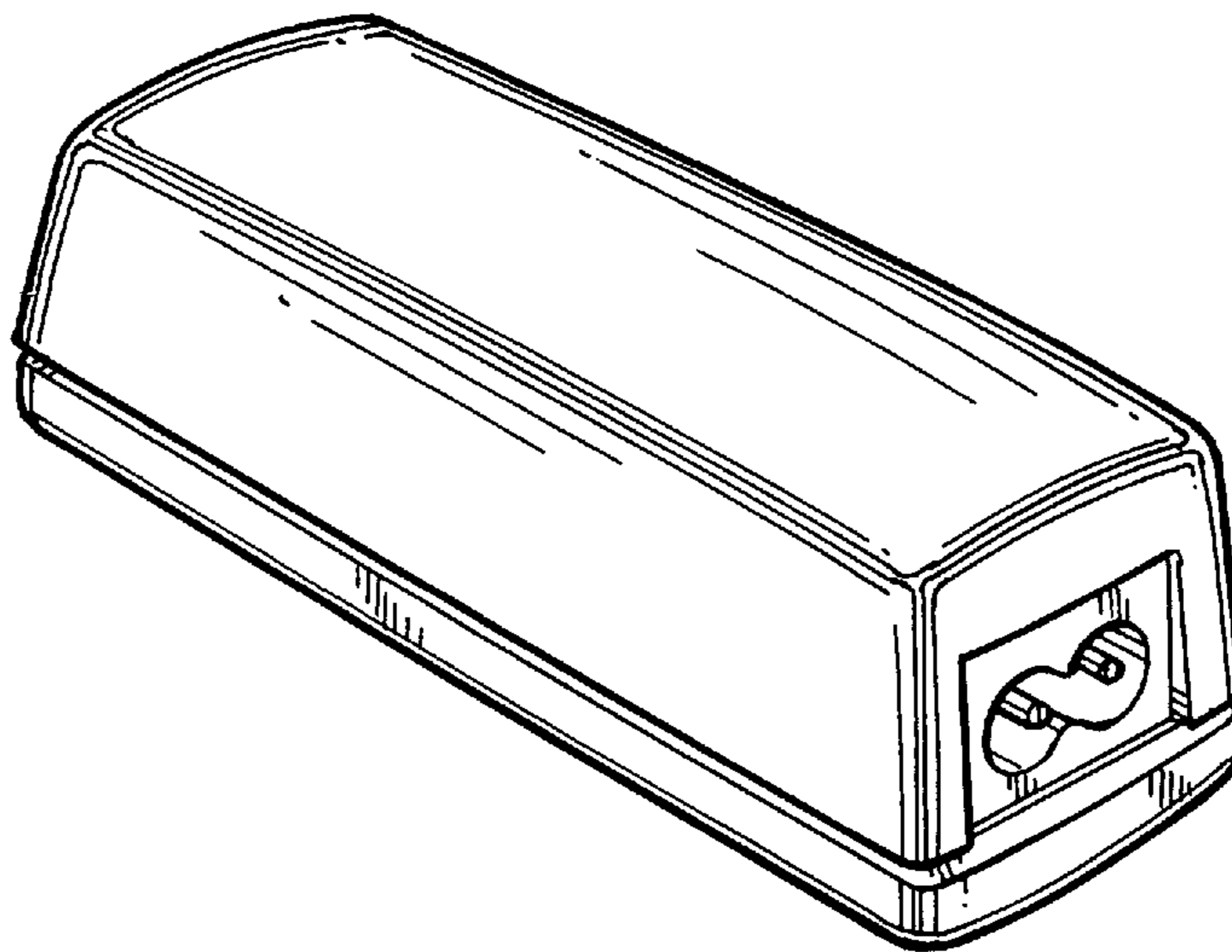
[57] **CLAIM**

I claim the ornamental design for the traveling charger, as shown and described.

DESCRIPTION

FIG. 1 is a top, front, left perspective view of the traveling charger incorporating my new design;
FIG. 2 is a bottom, rear, right perspective view thereof;
FIG. 3 is a left elevational view thereof;
FIG. 4 is a top plan view thereof;
FIG. 5 is a right elevational view thereof;
FIG. 6 is a bottom plan view thereof;
FIG. 7 is a rear elevational view thereof; and,
FIG. 8 is a front elevational view thereof.

1 Claim, 3 Drawing Sheets



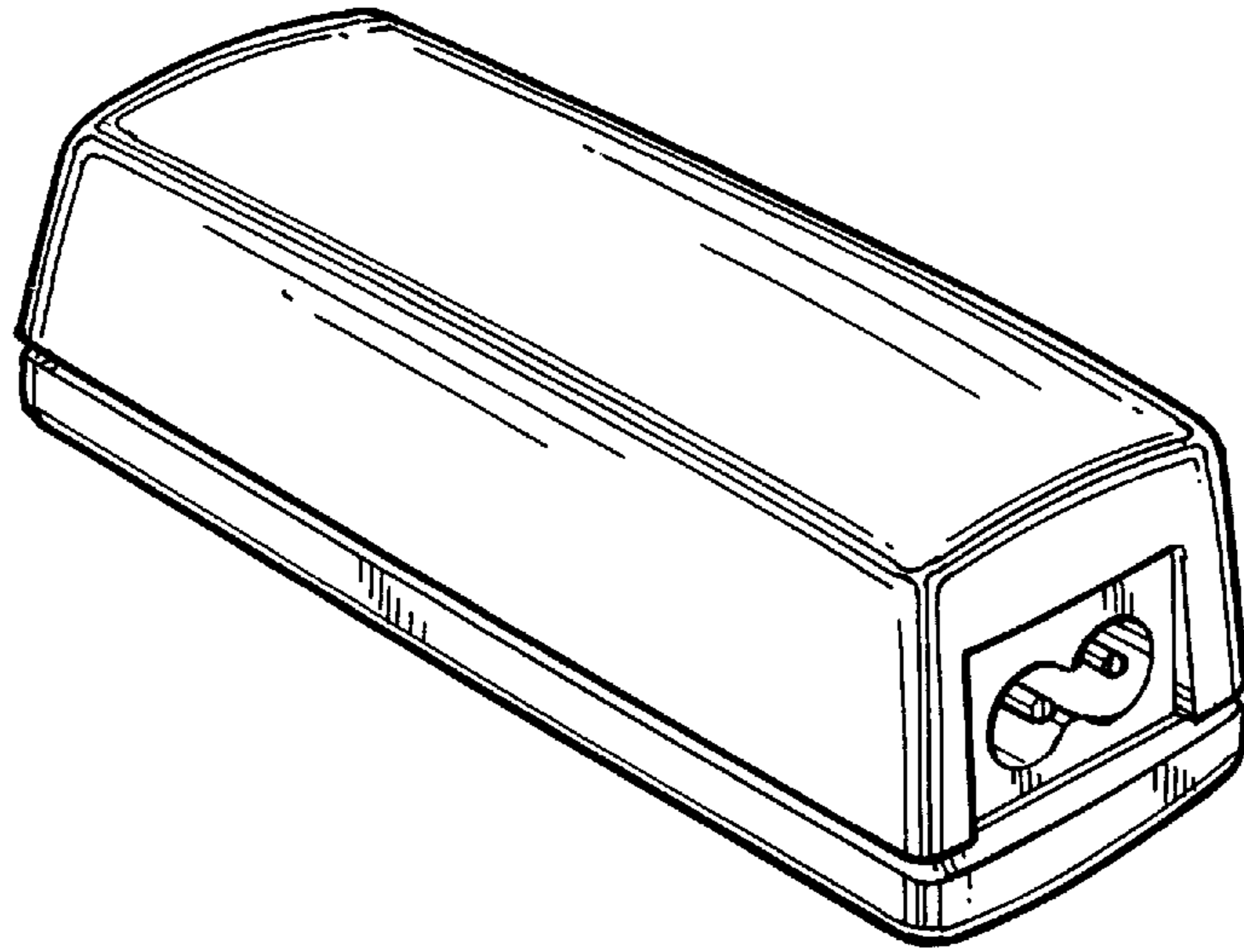


FIG. 1

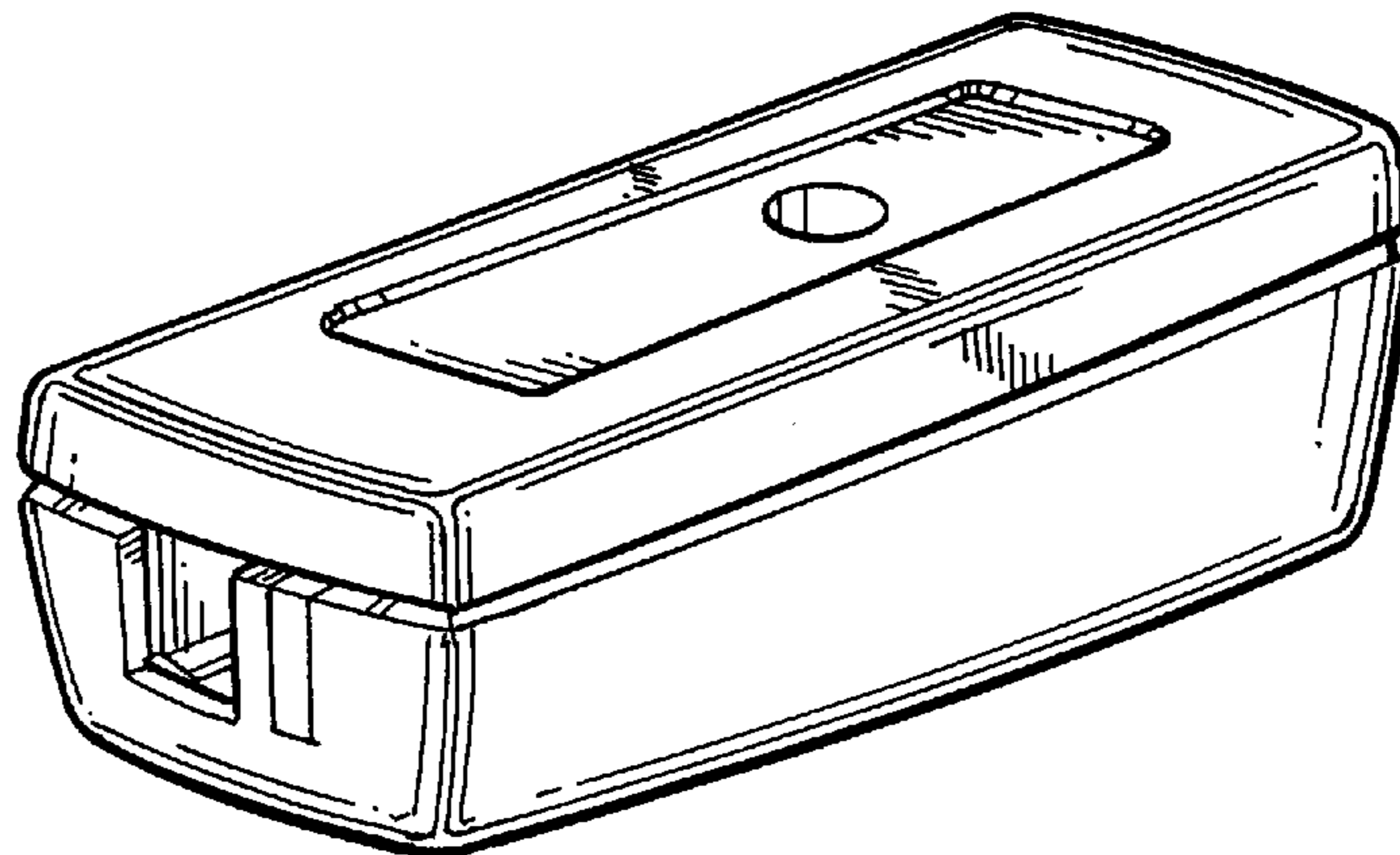


FIG. 2

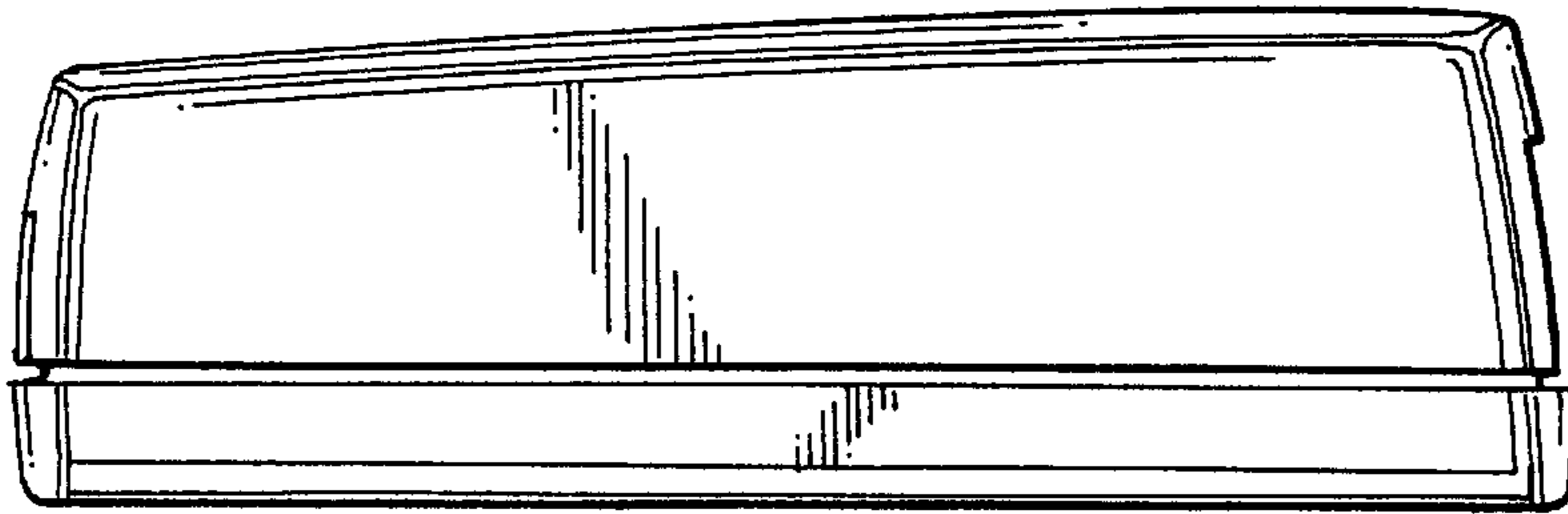


FIG. 3

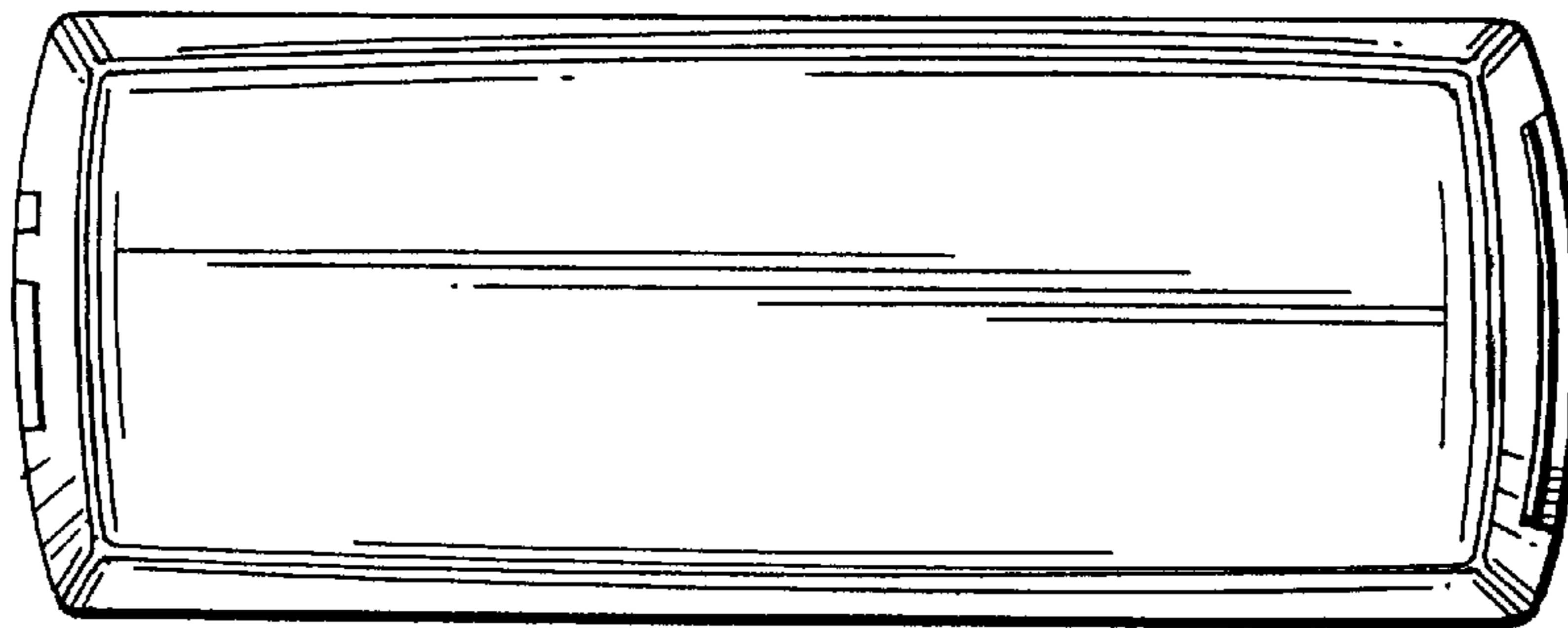


FIG. 4

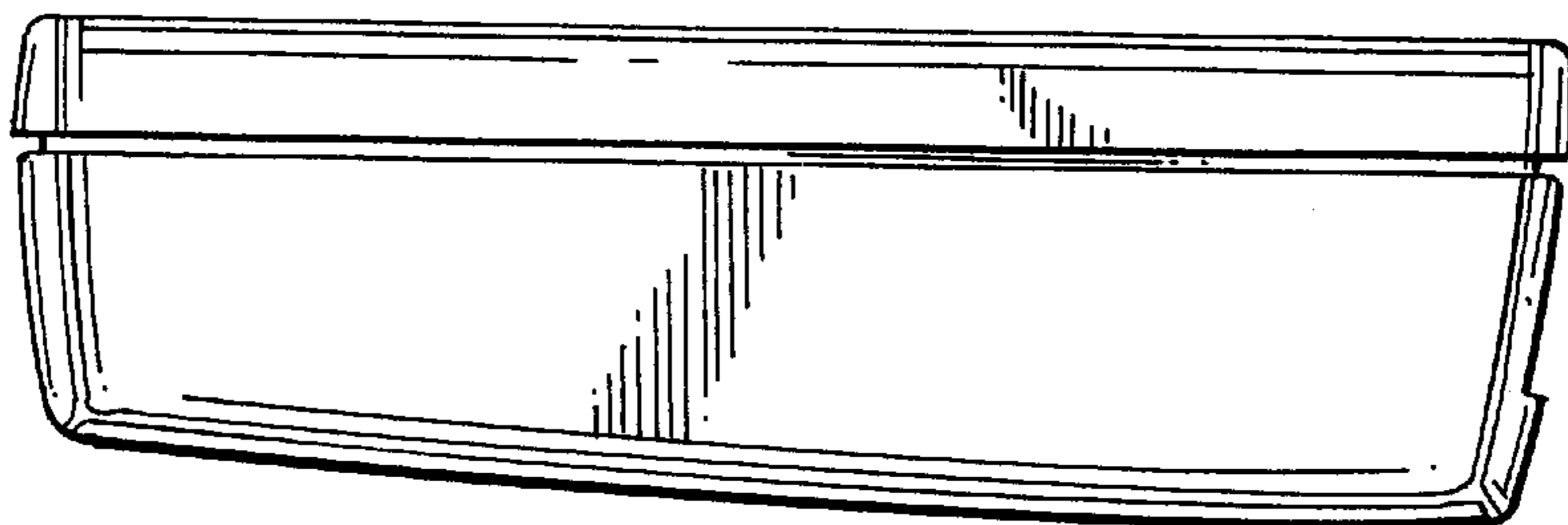


FIG. 5

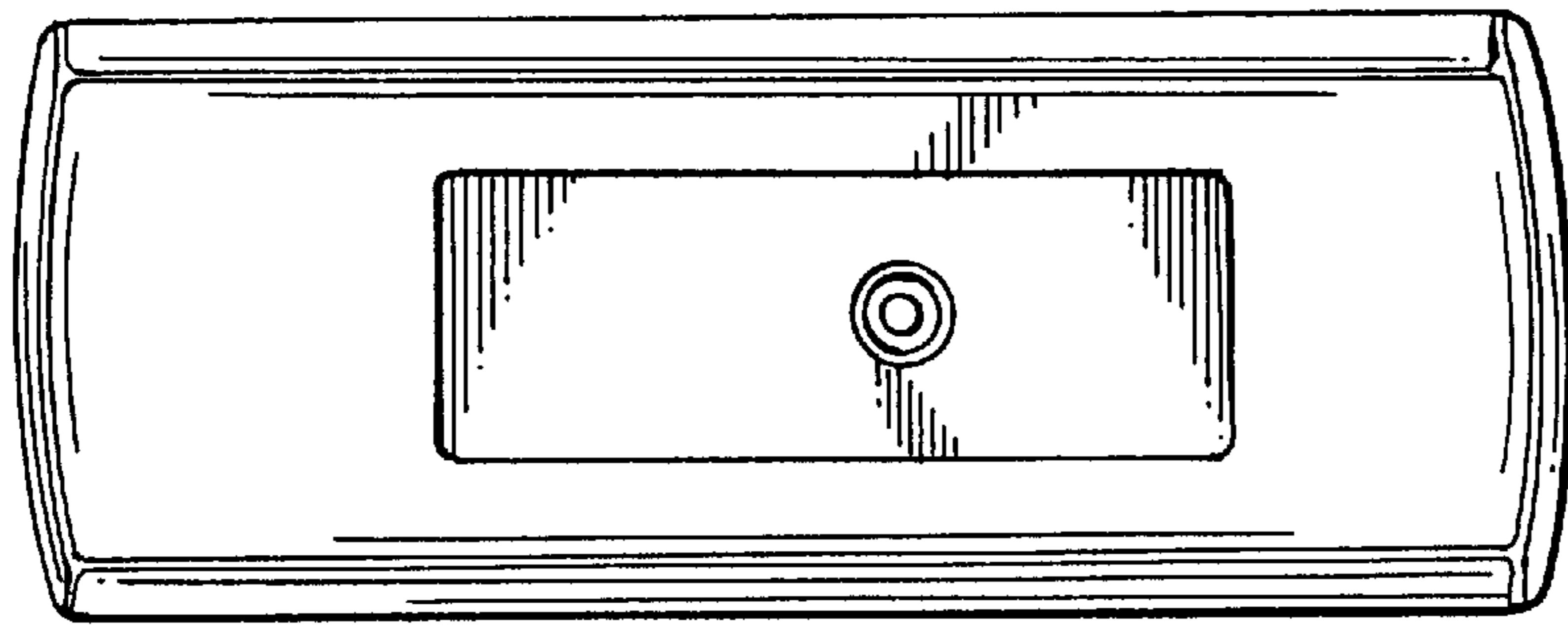


FIG. 6

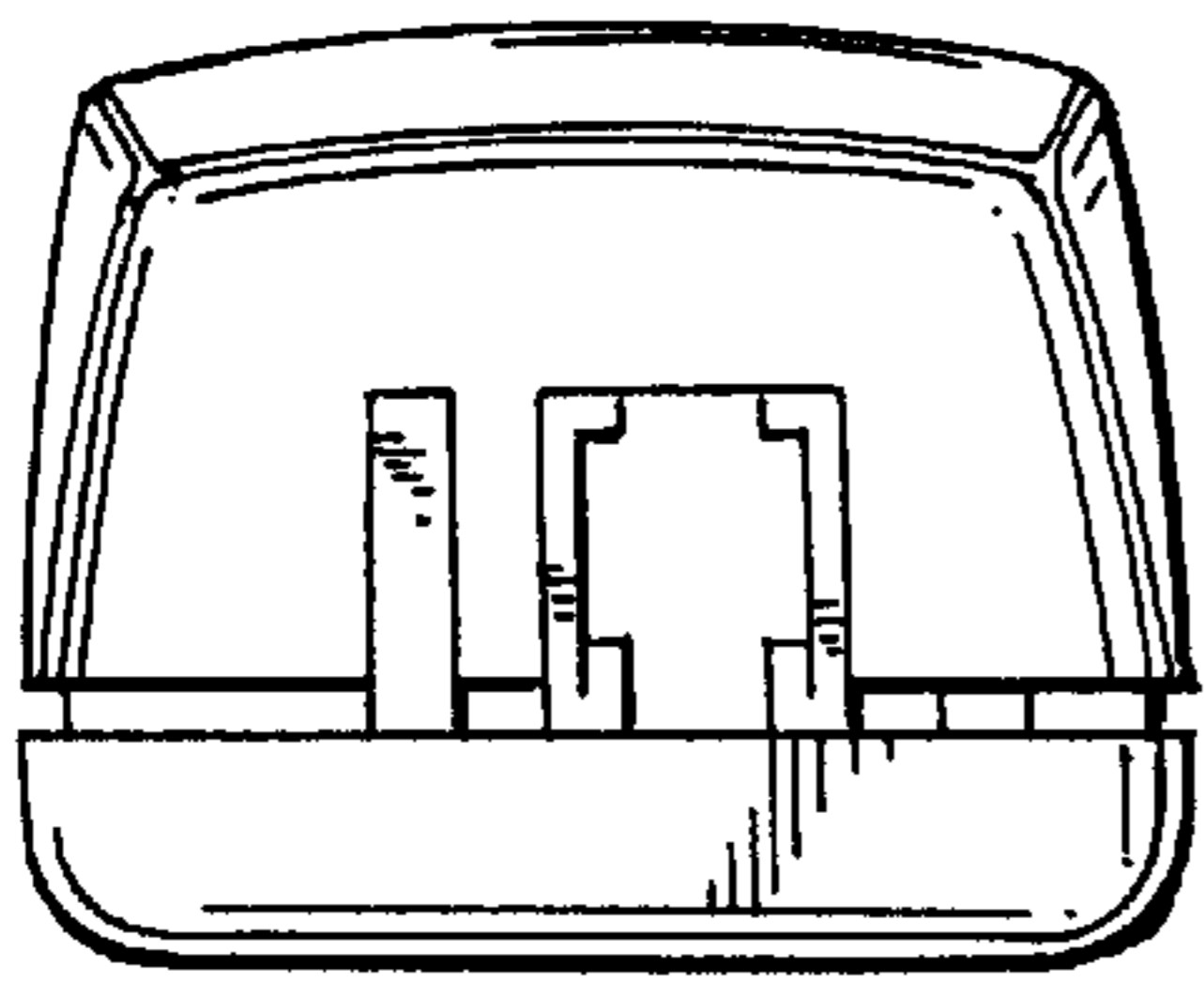


FIG. 7

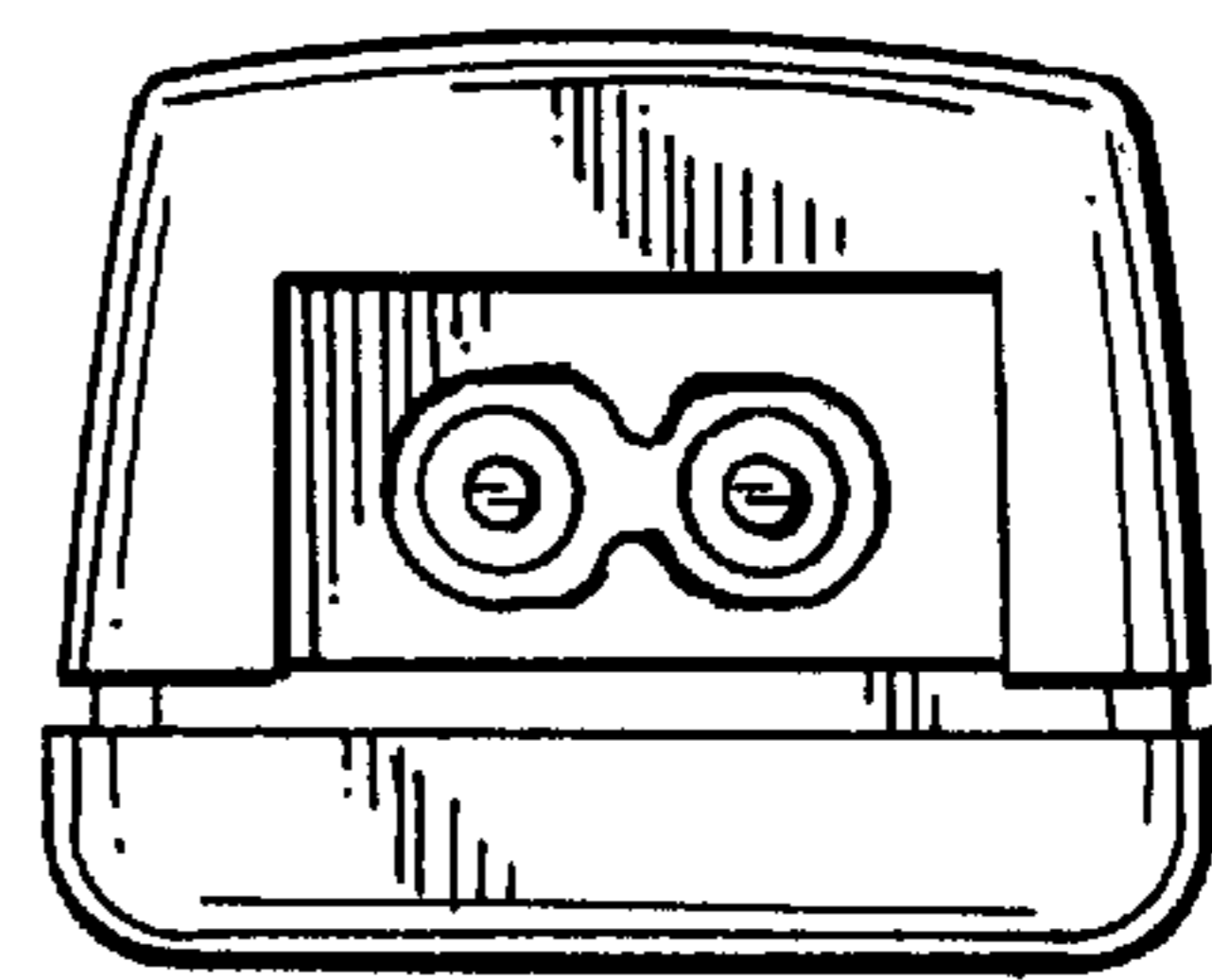


FIG. 8