



US00D402953S

United States Patent [19] Kim

[11] Patent Number: **Des. 402,953**

[45] Date of Patent: ****Dec. 22, 1998**

[54] **WIPER BLADE ADAPTER FOR A VEHICLE WINDSHIELD**

[76] Inventor: **In-kyu Kim**, 3-1306 Yesgulin Apt. 583
Sungpo-Dong, Ansan-Si, Kyungki-Do,
Rep. of Korea

[**] Term: **14 Years**

[21] Appl. No.: **63,853**

[22] Filed: **Dec. 17, 1996**

[51] **LOC (6) Cl.** **12-06**

[52] **U.S. Cl.** **D12/220**

[58] **Field of Search** D12/220, 219;
15/250.05-250.07, 250.31-250.33, 250.351,
250.361, 250.38, 250.4-250.41, 250.42

[56] **References Cited**

U.S. PATENT DOCUMENTS

D. 353,358	12/1994	Lee	D12/220
D. 353,359	12/1994	Lee	D12/220
D. 357,891	5/1995	Lee	D12/220
D. 389,449	1/1998	Hussaini	D12/220
4,114,227	9/1978	Blackman	15/250.32
4,308,635	1/1982	Maiocco	15/250.32

4,348,782	9/1982	Fournier	15/250.32
4,949,422	8/1990	Bauer et al.	15/250.32
5,289,608	3/1994	Kim	15/250.32
5,332,328	7/1994	Yang	15/250.32
5,392,487	2/1995	Yang	15/250.32
5,606,765	3/1997	Ding	15/250.32
5,632,059	5/1997	Lee	15/250.32

Primary Examiner—James Gandy
Assistant Examiner—Stacia Sinuik
Attorney, Agent, or Firm—Nathan N. Kallman

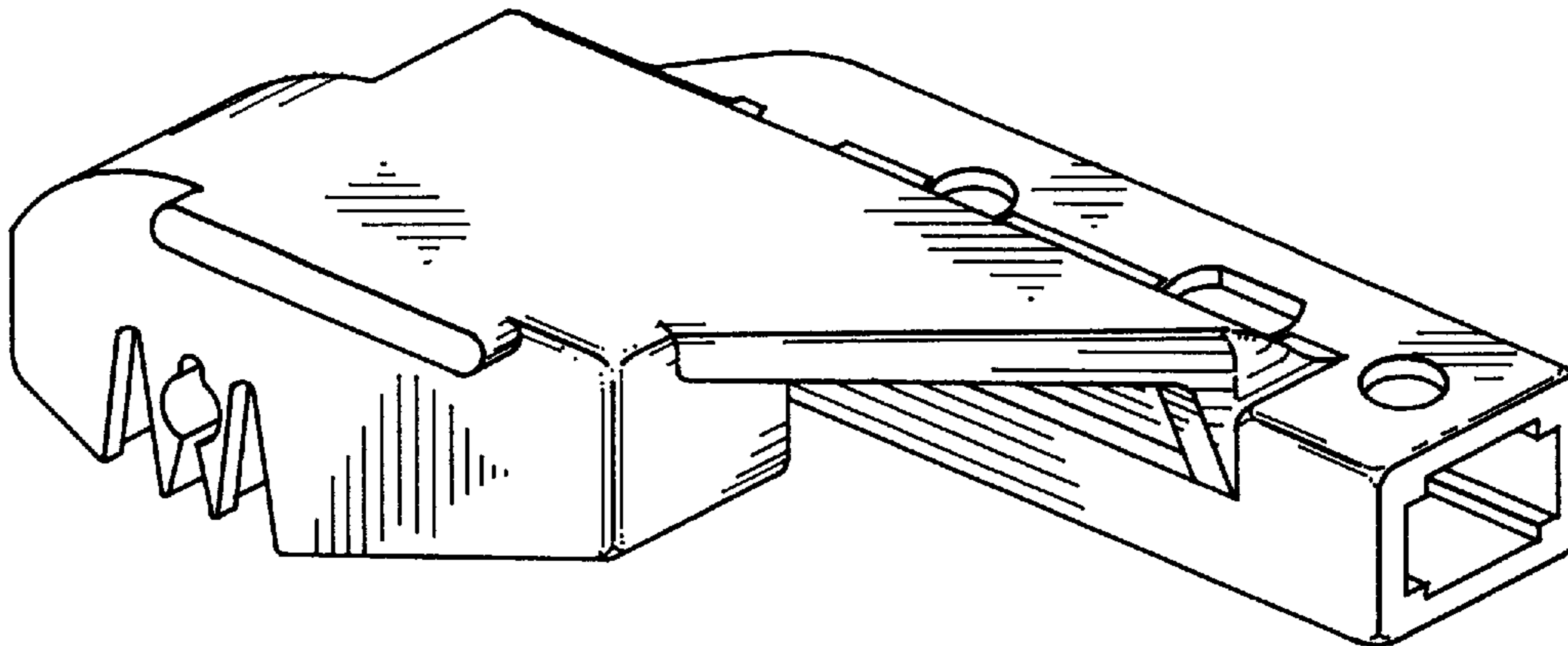
[57] **CLAIM**

The ornamental design for a wiper blade adapter for a vehicle windshield, as shown and described.

DESCRIPTION

FIG. 1 is a perspective view of a wiper blade adapter for a vehicle windshield showing my new design; FIG. 2 is a front elevational view thereof; FIG. 3 is a rear elevational view thereof; FIG. 4 is an enlarged left side elevational view thereof; FIG. 5 is an enlarged right side elevational view thereof; FIG. 6 is an enlarged top plan view thereof; and, FIG. 7 is an enlarged bottom plan view thereof.

1 Claim, 2 Drawing Sheets



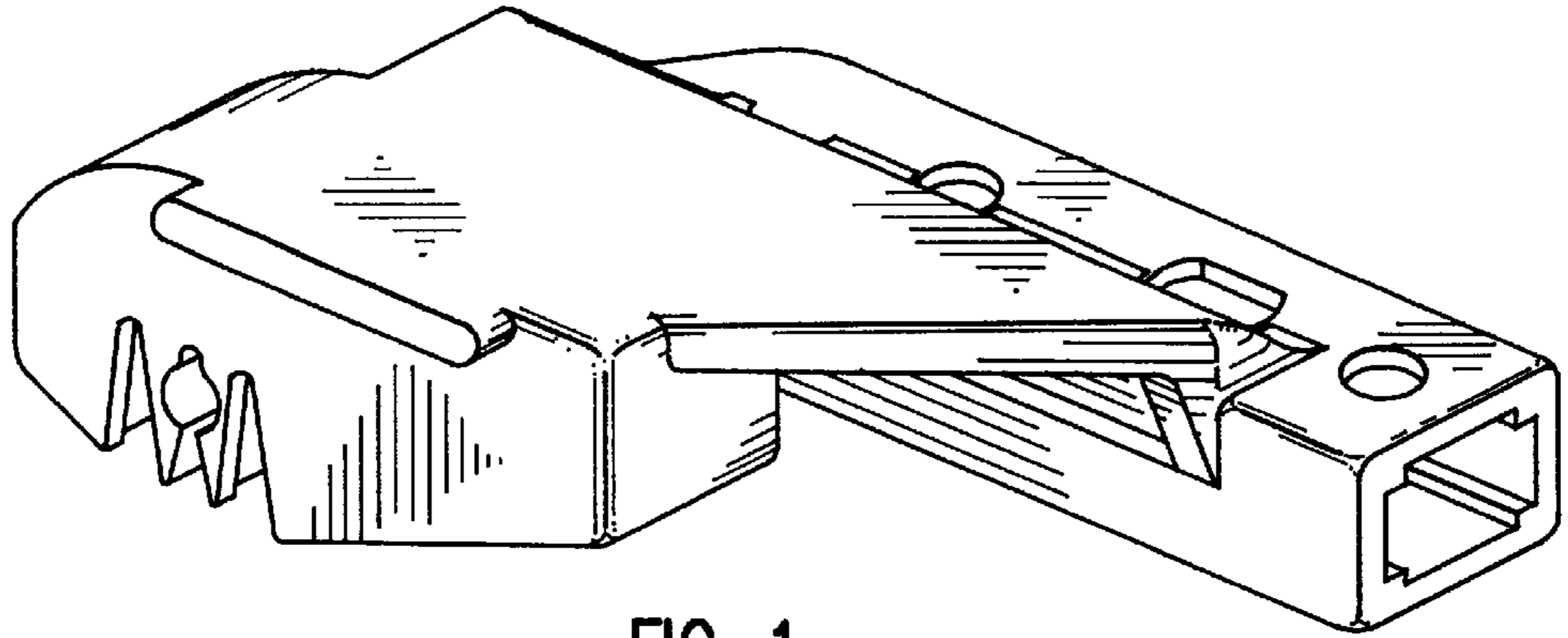


FIG. 1

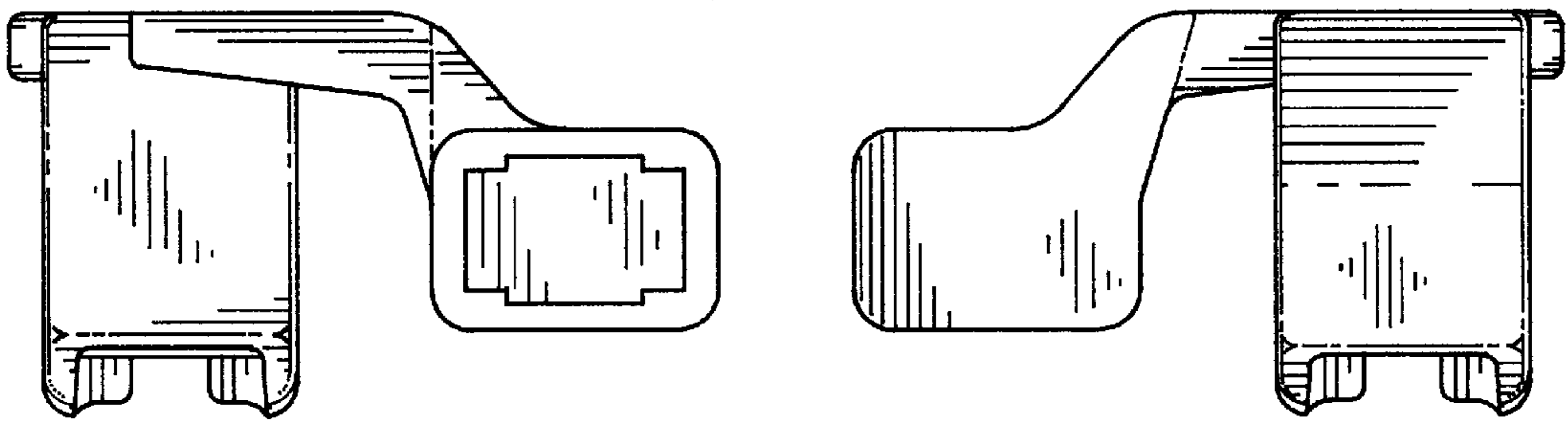


FIG. 2

FIG. 3

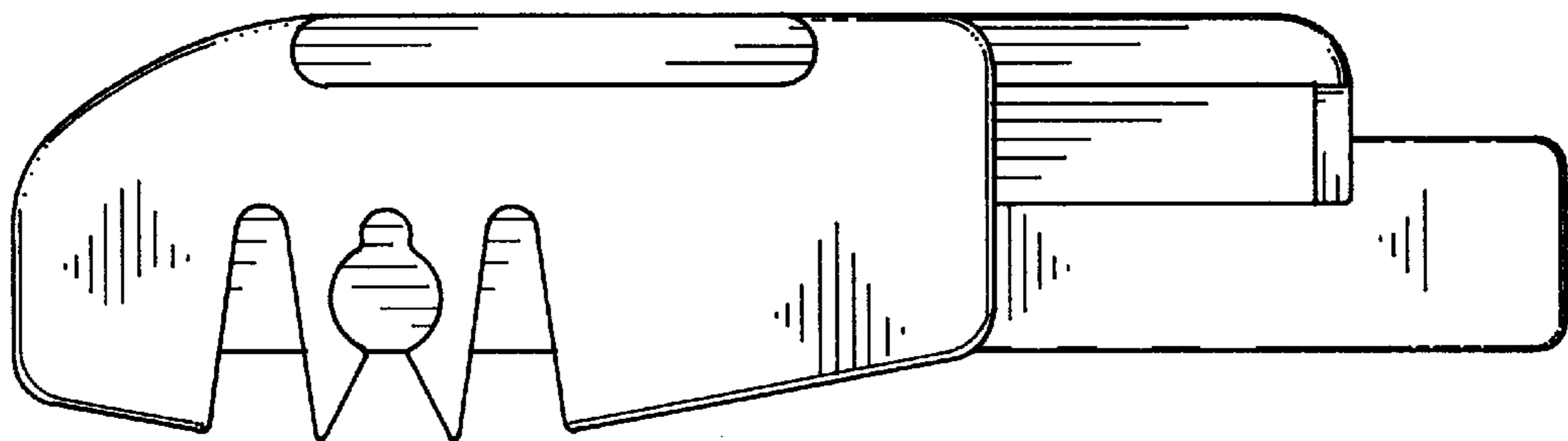


FIG. 4

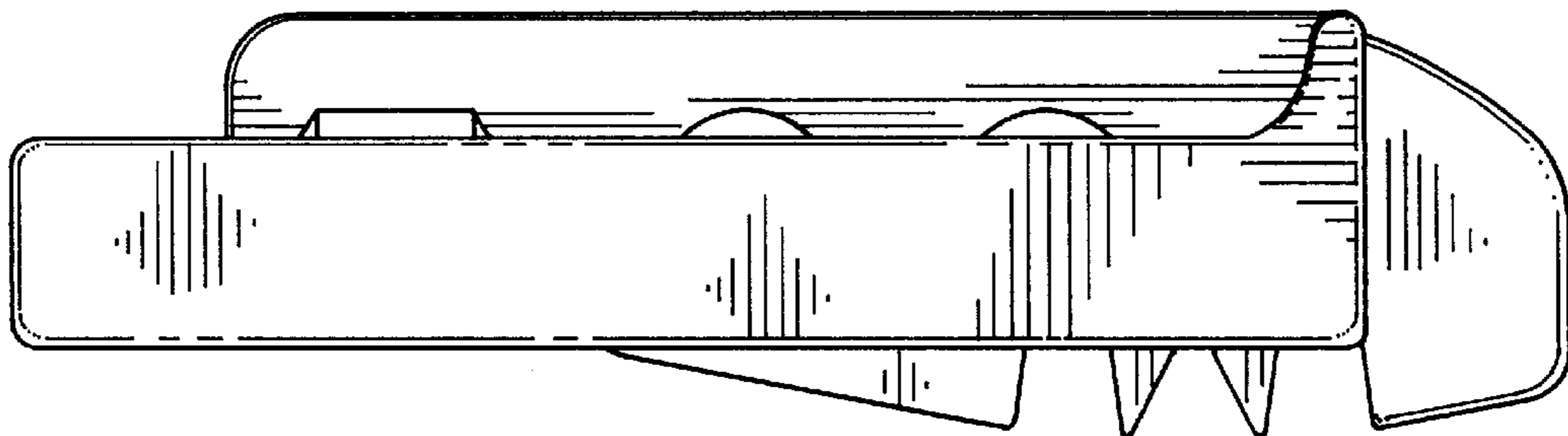


FIG. 5

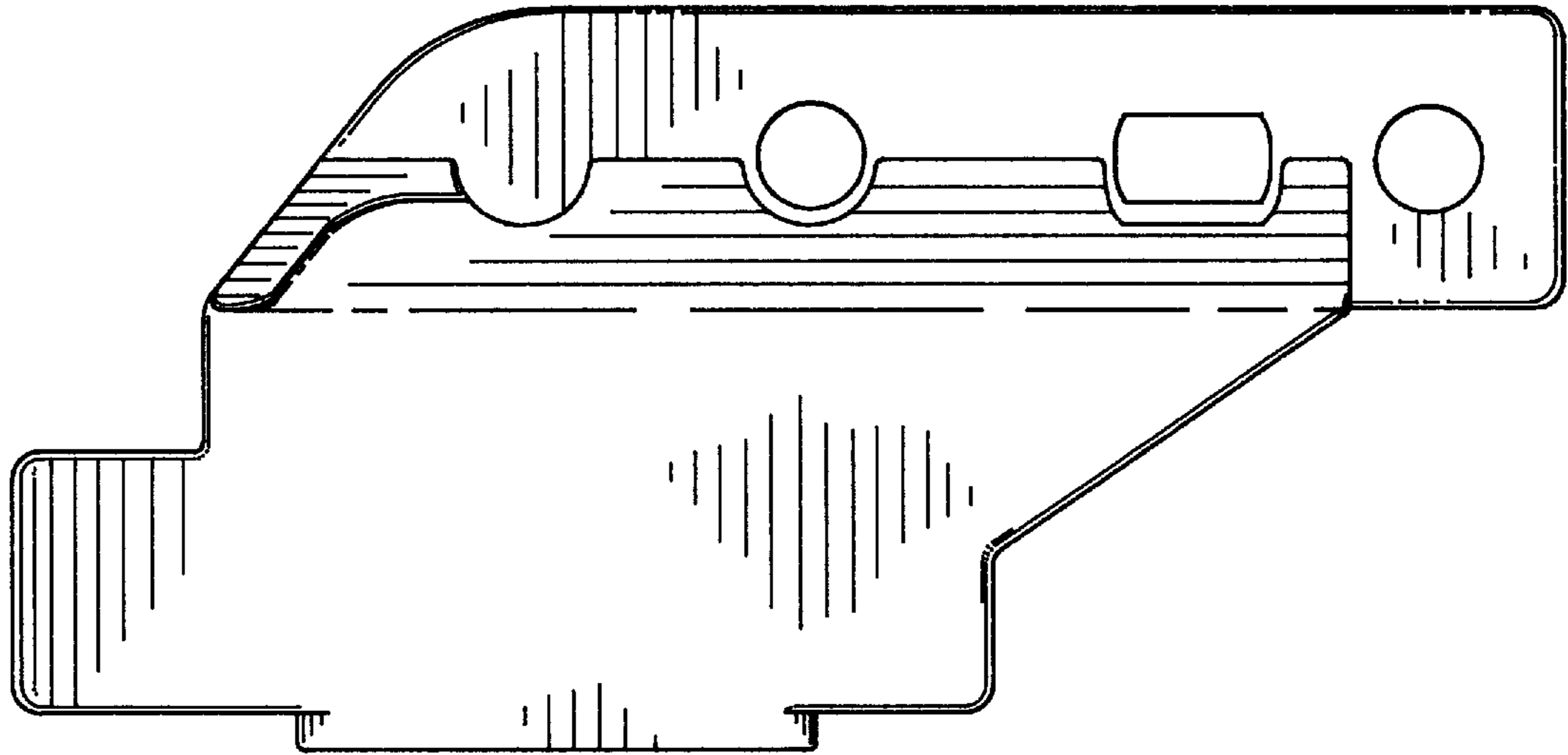


FIG. 6

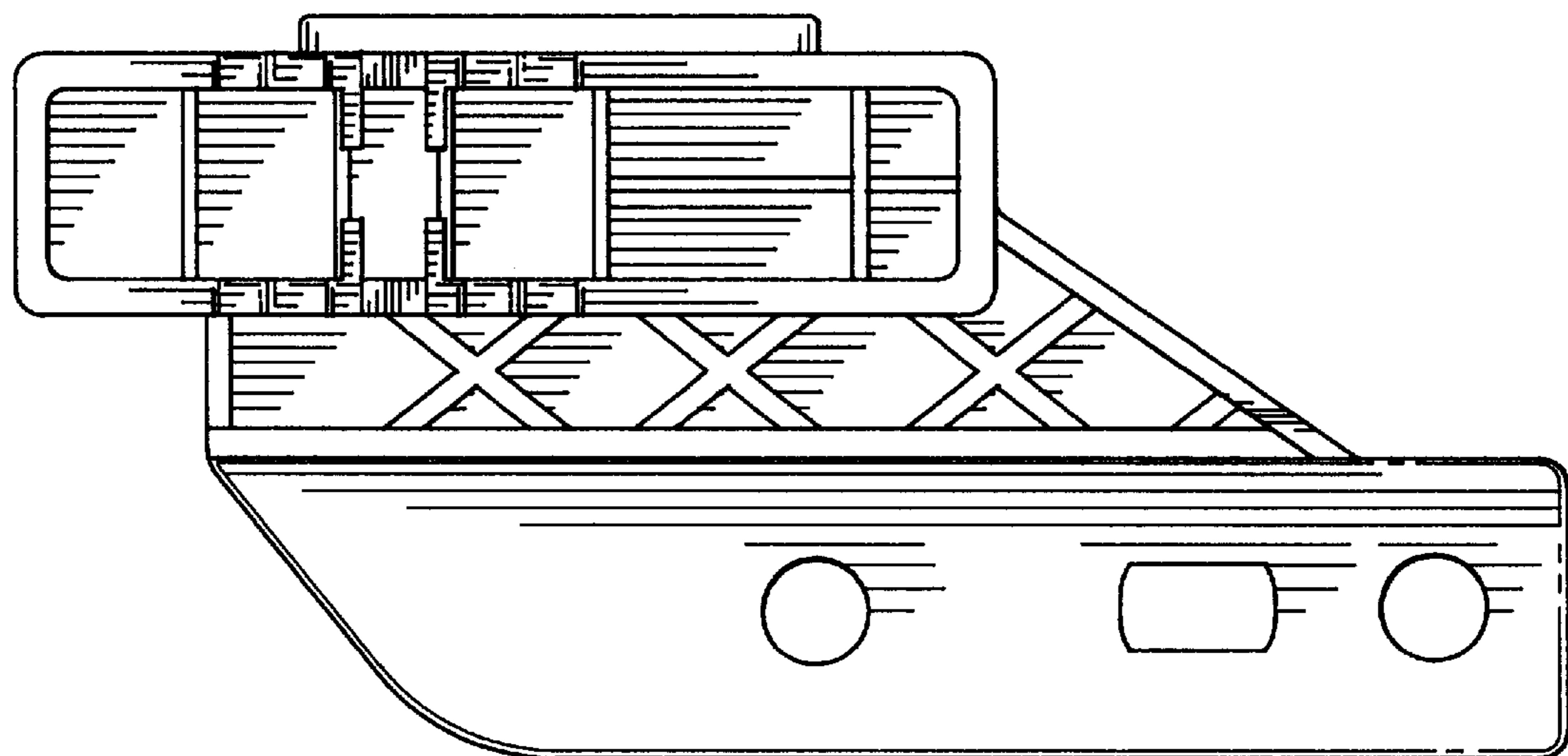


FIG. 7