



US00D402952S

**United States Patent** [19]  
**Sycha**

[11] **Patent Number: Des. 402,952**

[45] **Date of Patent: \*\*Dec. 22, 1998**

[54] **FRONT FACE OF A MOTOR VEHICLE WHEEL**

[75] Inventor: **Thomas Sycha, Munich, Germany**

[73] Assignee: **Bayerische Motoren Werke Aktiengesellschaft, Munich, Germany**

[\*\*] Term: **14 Years**

[21] Appl. No.: **79,697**

[22] Filed: **Nov. 21, 1997**

[30] **Foreign Application Priority Data**

May 21, 1997 [DE] Germany ..... M 97 04 929.8

[51] **LOC (6) Cl. .... 12-16**

[52] **U.S. Cl. .... D12/211**

[58] **Field of Search .... D12/204-213; 301/64.1, 65, 37.1**

[56] **References Cited**

**U.S. PATENT DOCUMENTS**

- D. 267,564 1/1983 Wright ..... D12/211
- D. 361,547 8/1995 Weld ..... D12/211
- D. 368,885 4/1996 Wagner ..... D12/209

- D. 370,883 6/1996 Bhambra ..... D12/209
- D. 372,699 8/1996 Mantua ..... D12/209
- D. 379,612 6/1997 Honarkhah ..... D12/209
- D. 380,432 7/1997 Hettler ..... D12/209
- D. 384,025 9/1997 Roesianto ..... D12/209
- D. 384,320 9/1997 Bhambra ..... D12/209
- D. 391,543 3/1998 Renkert ..... D12/209
- D. 392,237 3/1998 Kelley ..... D12/209

*Primary Examiner*—James Gandy  
*Assistant Examiner*—Stacia Sinuik  
*Attorney, Agent, or Firm*—Evenson, McKeown, Edwards & Lenahan, PLLC

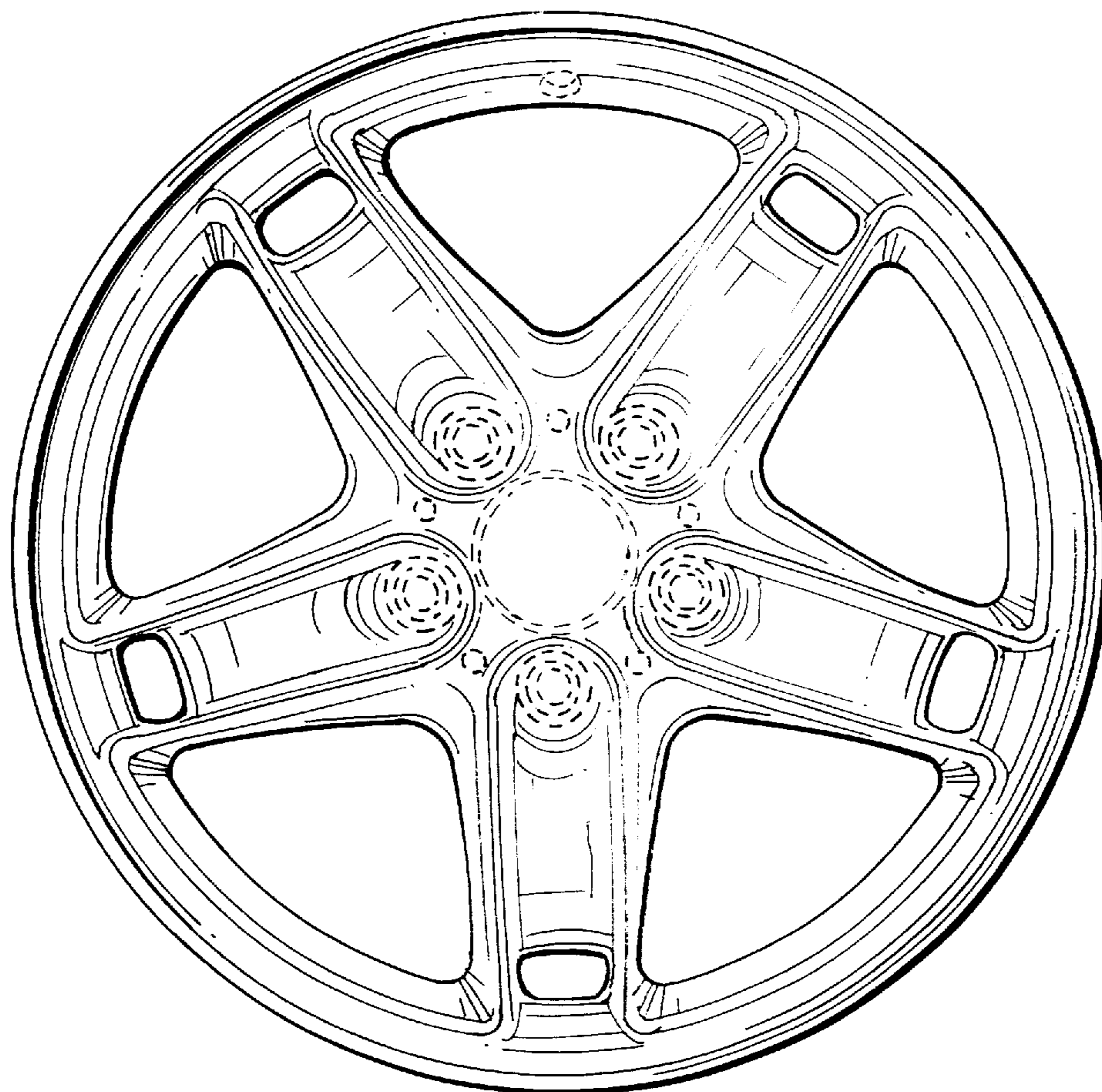
[57] **CLAIM**

The ornamental design for a front face of a motor vehicle wheel, as shown and described.

**DESCRIPTION**

FIG. 1 is a side view of a front face of a motor vehicle wheel according to my novel design; and, FIG. 2 is a side perspective view of a front face of a motor vehicle wheel according to my novel design. The dash line showing depicts environment and is not part of the claimed design.

**1 Claim, 1 Drawing Sheet**



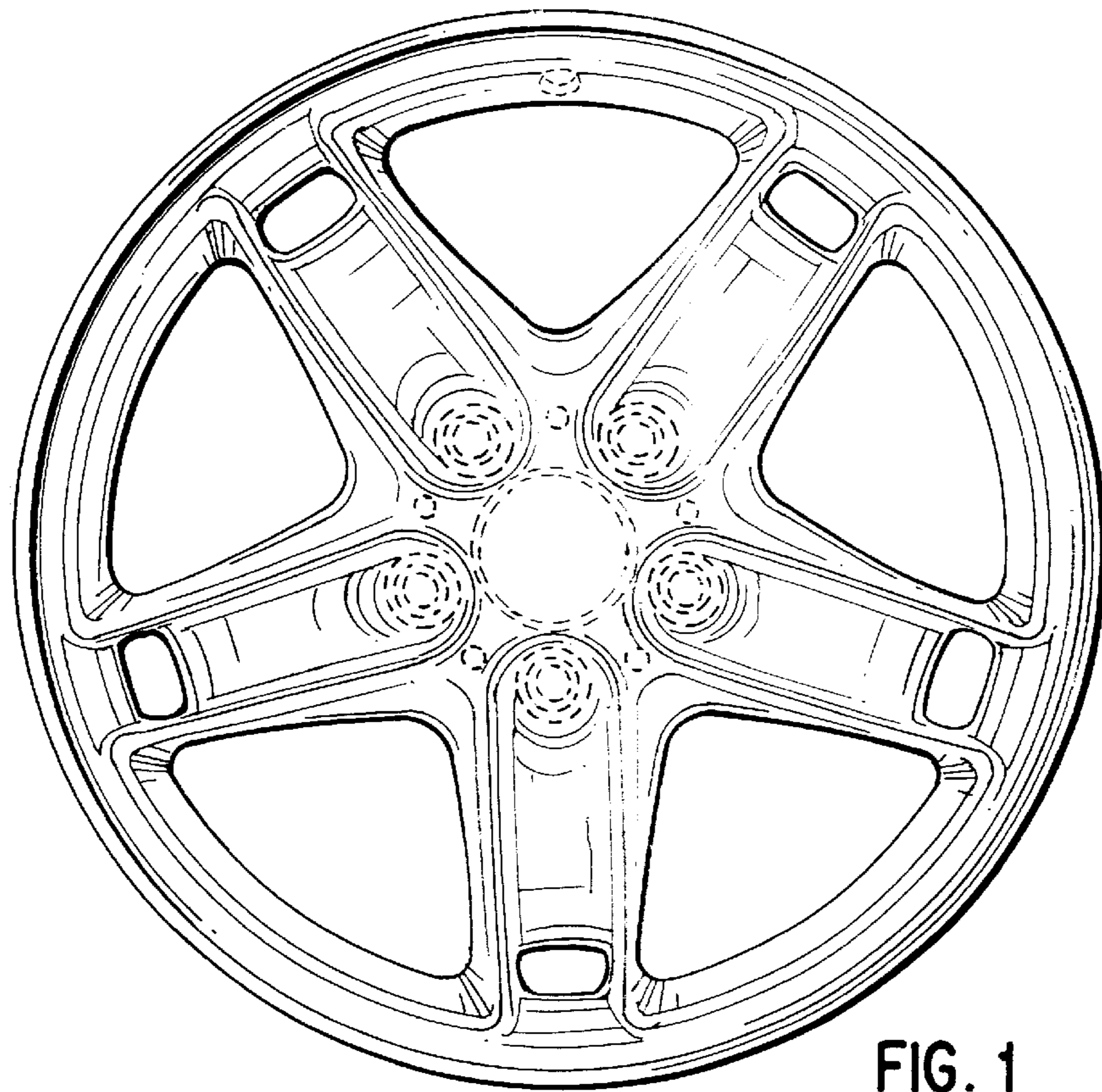


FIG. 1

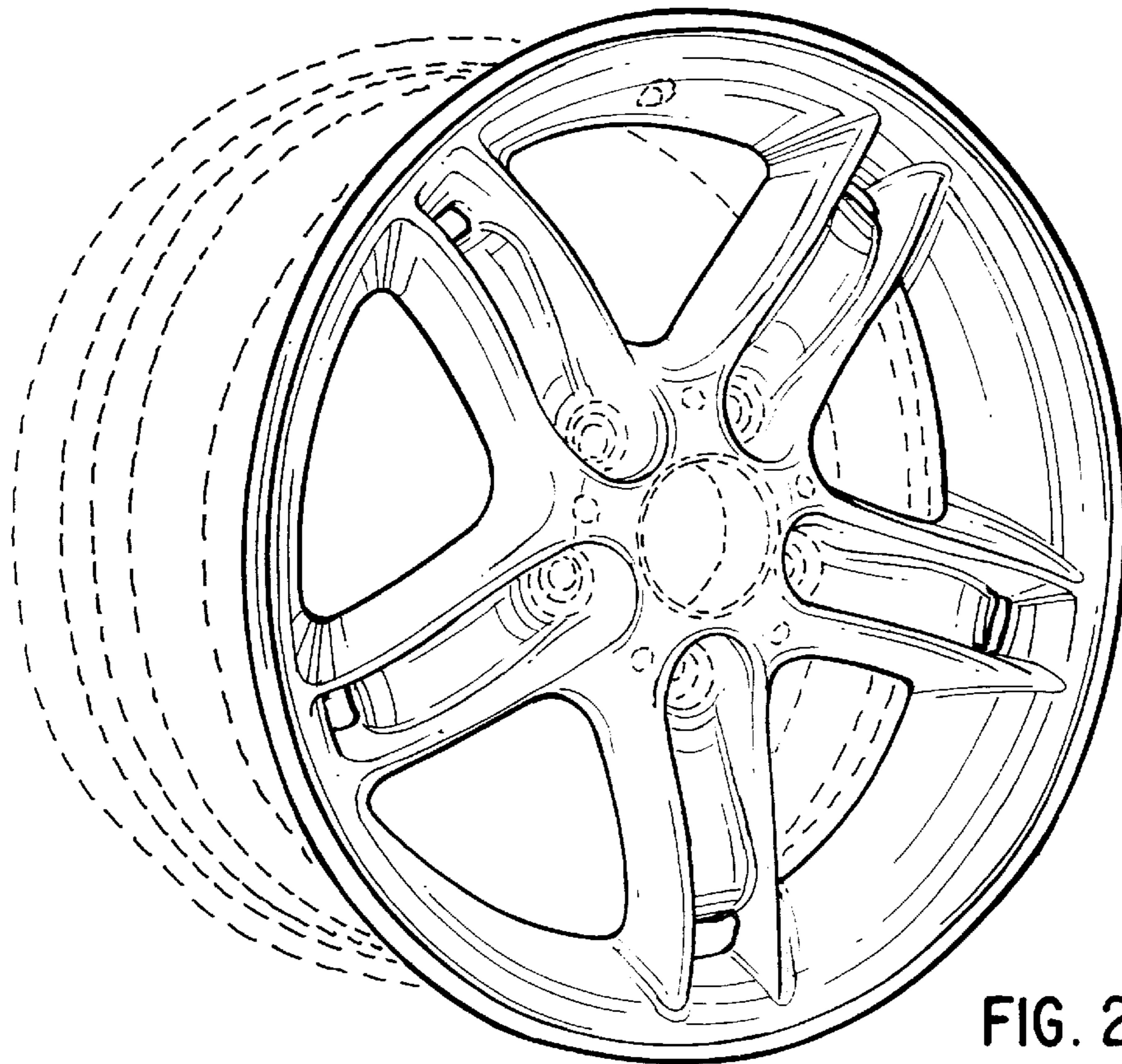


FIG. 2