



US00D402948S

United States Patent [19]
Nishimura

[11] **Patent Number: Des. 402,948**

[45] **Date of Patent: **Dec. 22, 1998**

[54] **BRAKE UNIT FOR A BICYCLE**
[75] **Inventor: Tomohiko Nishimura, Sakai, Japan**
[73] **Assignee: Shimano, Inc., Osaka, Japan**
[**] **Term: 14 Years**

Primary Examiner—Melody N. Brown
Attorney, Agent, or Firm—James A. Deland

[57] **CLAIM**

The ornamental design for a brake unit for a bicycle, as shown and described.

DESCRIPTION

FIG. 1 is a right side view of a brake unit for a bicycle showing my new design;
FIG. 2 is a left side view thereof;
FIG. 3 is a front view thereof;
FIG. 4 is a rear view thereof;
FIG. 5 is a top view thereof;
FIG. 6 is a bottom view thereof;
FIG. 7 is a rear cross sectional view taken along line 7—7 in FIG. 1; and,
FIG. 8 is a rear view thereof showing a bicycle hub environment in which the brake unit is used, wherein the bicycle hub does not form a part of the design.

[21] **Appl. No.: 62,391**
[22] **Filed: Nov. 13, 1996**
[51] **LOC (6) Cl. 12-16**
[52] **U.S. Cl. D12/180**
[58] **Field of Search D12/180; 188/24.11, 188/24.12, 24.13, 24.22, 344, 18 A**

[56] **References Cited**

U.S. PATENT DOCUMENTS

5,193,833	3/1993	Reisinger	18/344 X
5,528,266	6/1996	Hara	188/24.11
5,632,362	5/1997	Leitnas	188/344
5,732,798	3/1998	Toson	188/78 A

1 Claim, 6 Drawing Sheets

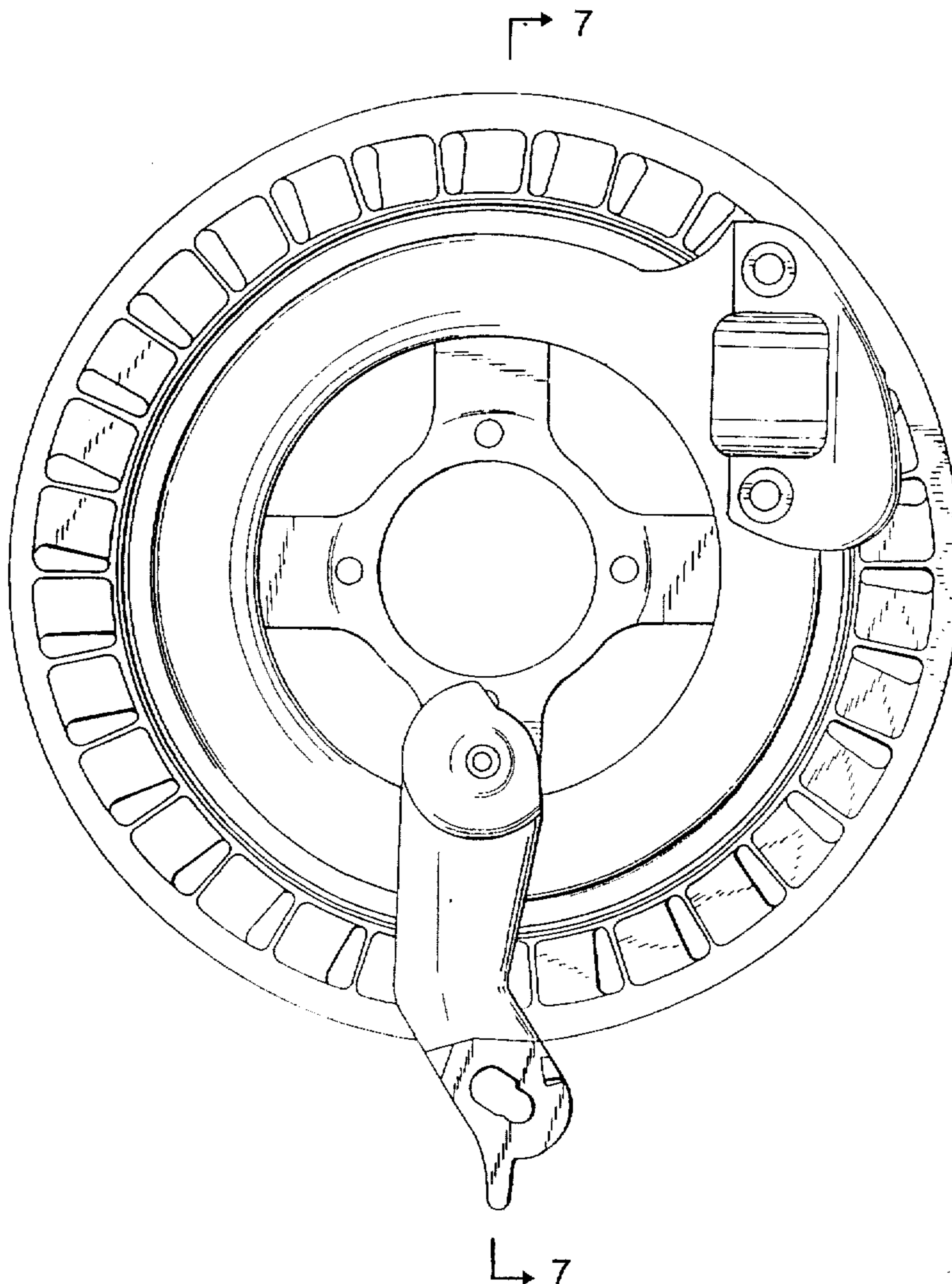


FIG.1

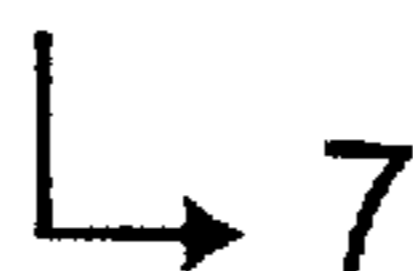
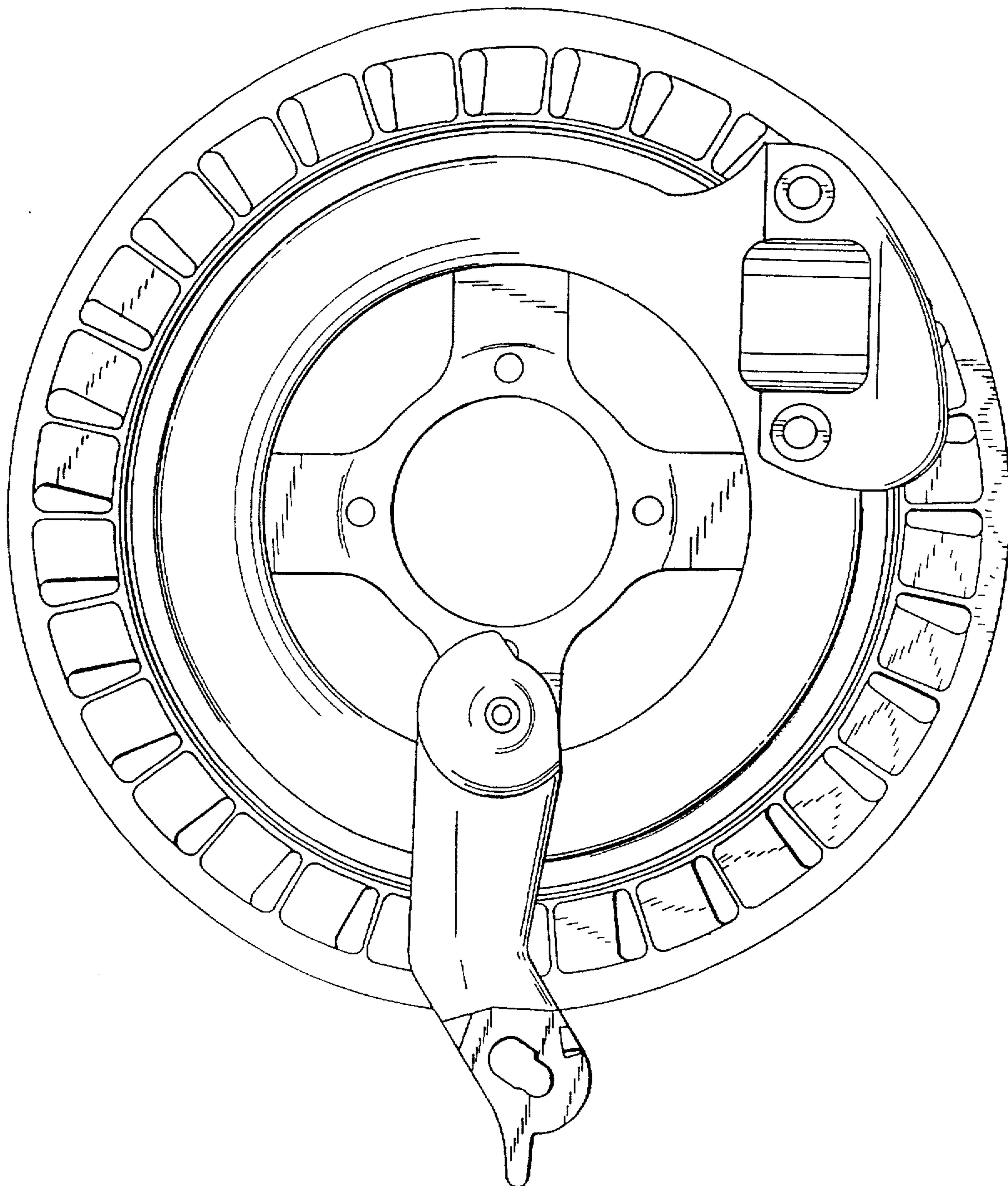
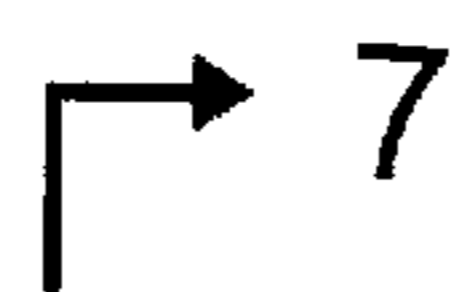


FIG. 2

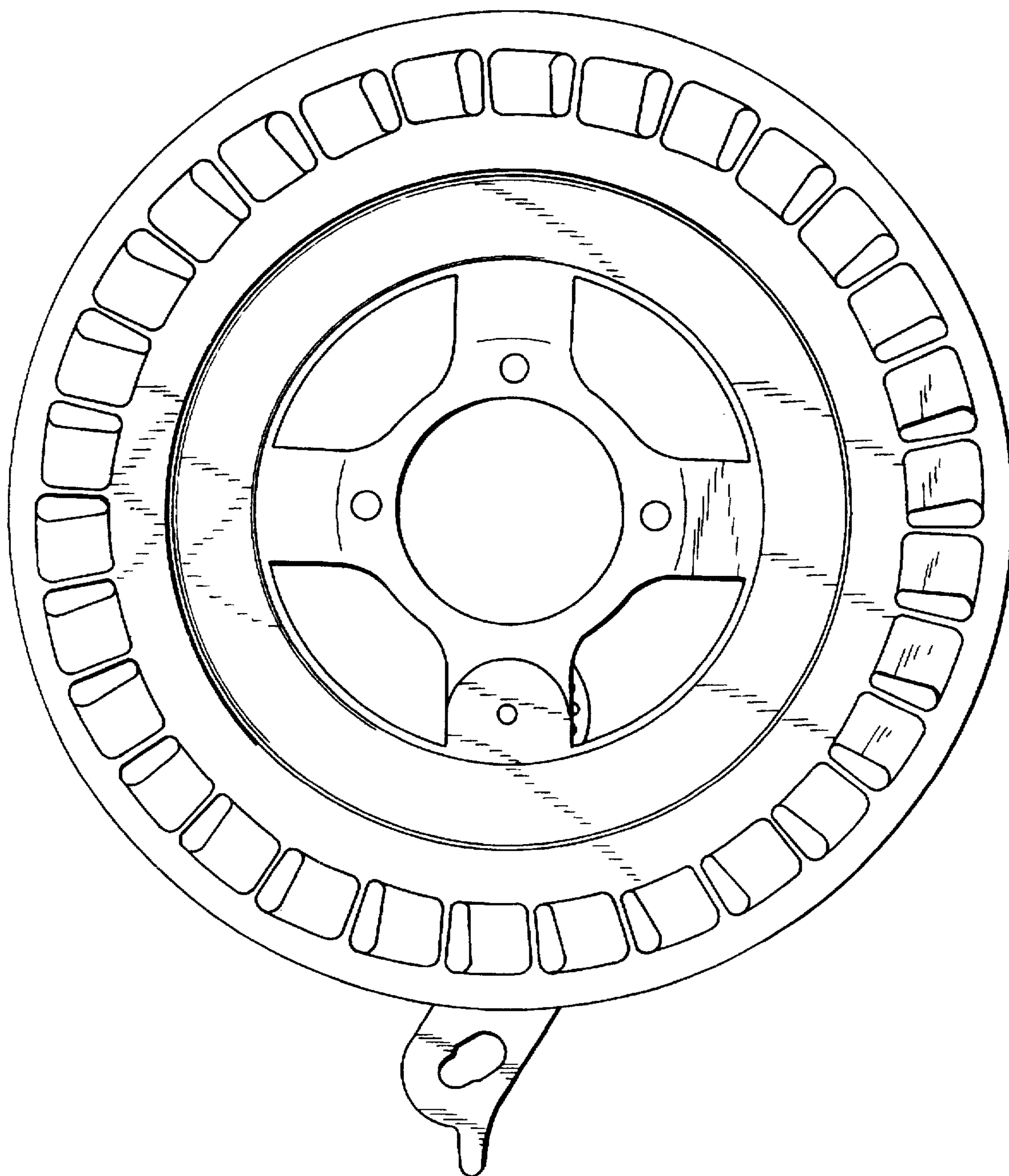


FIG. 3

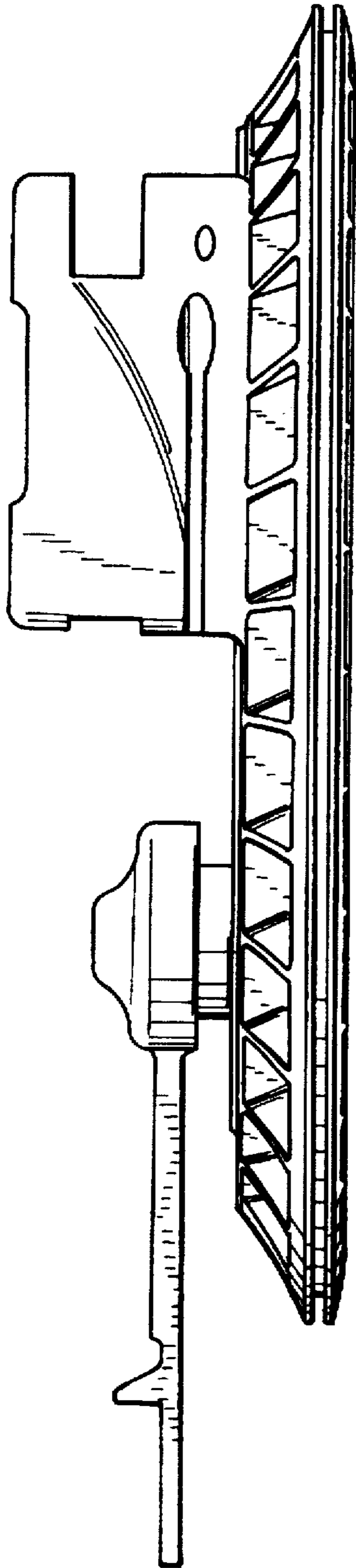


FIG. 4

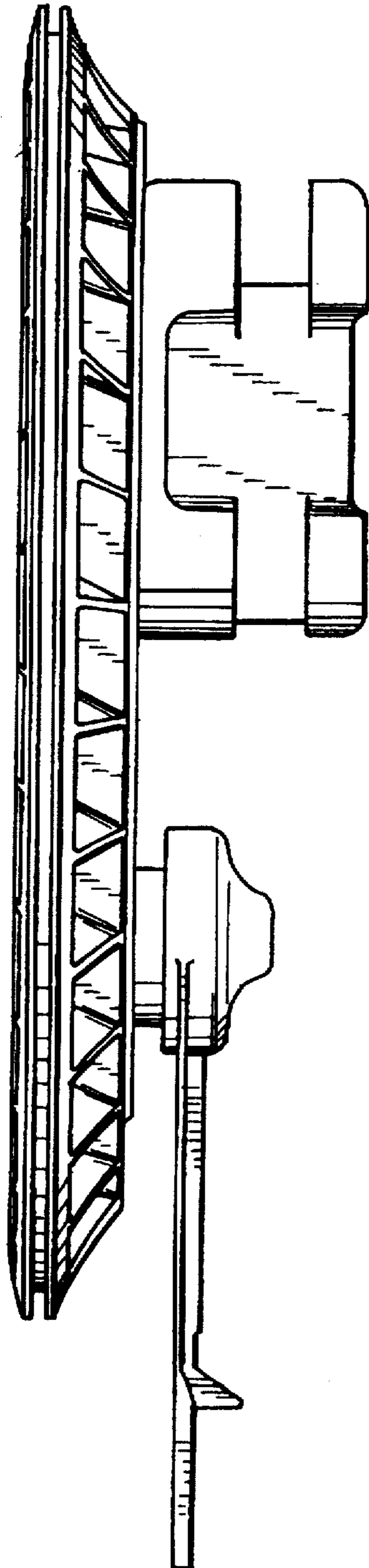


FIG. 5

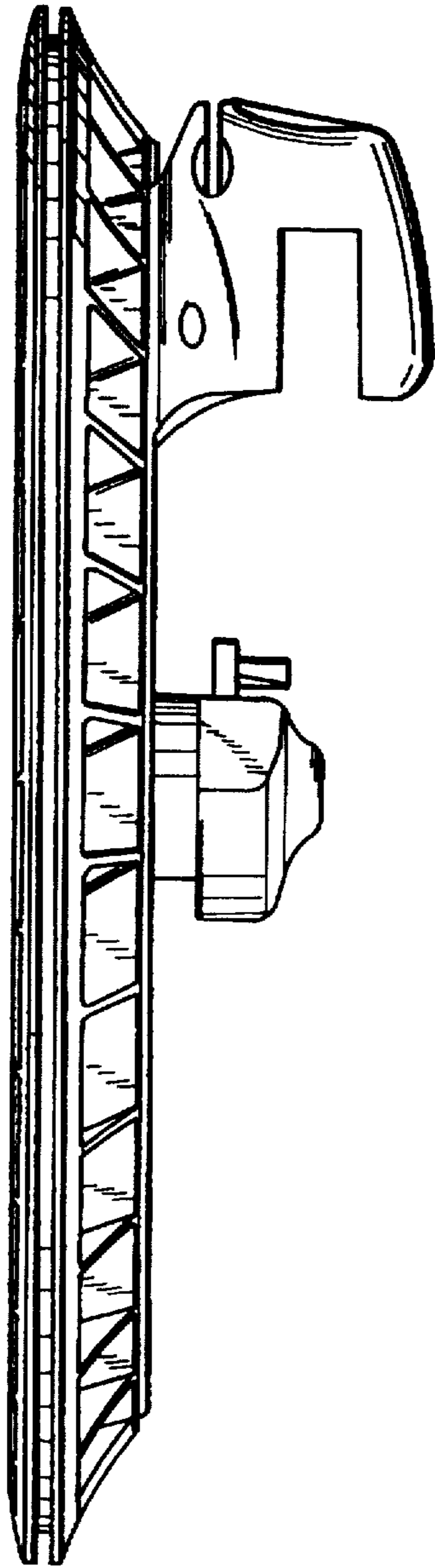


FIG. 6

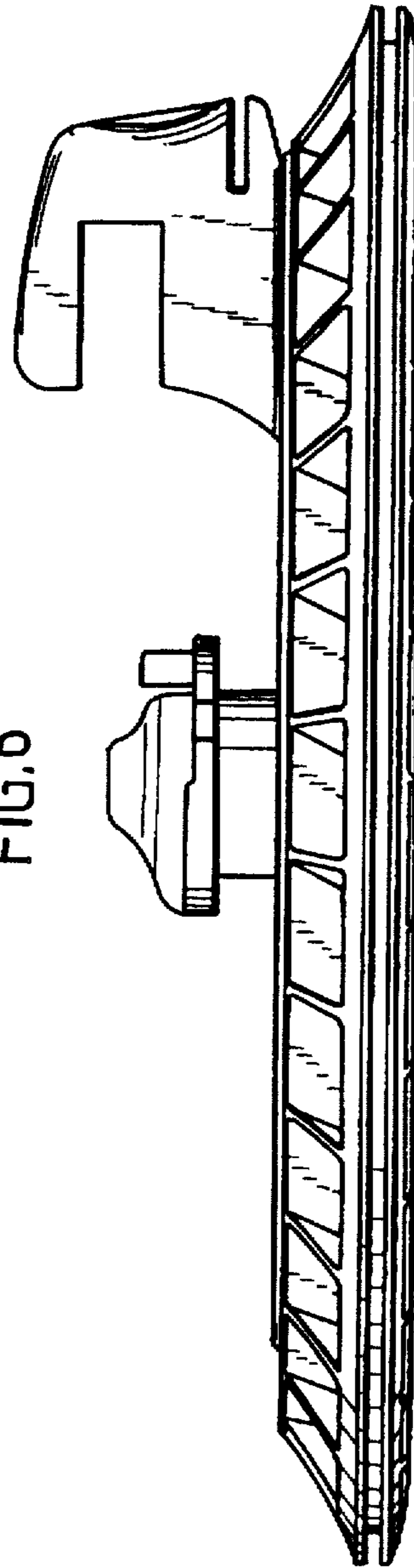


FIG. 7

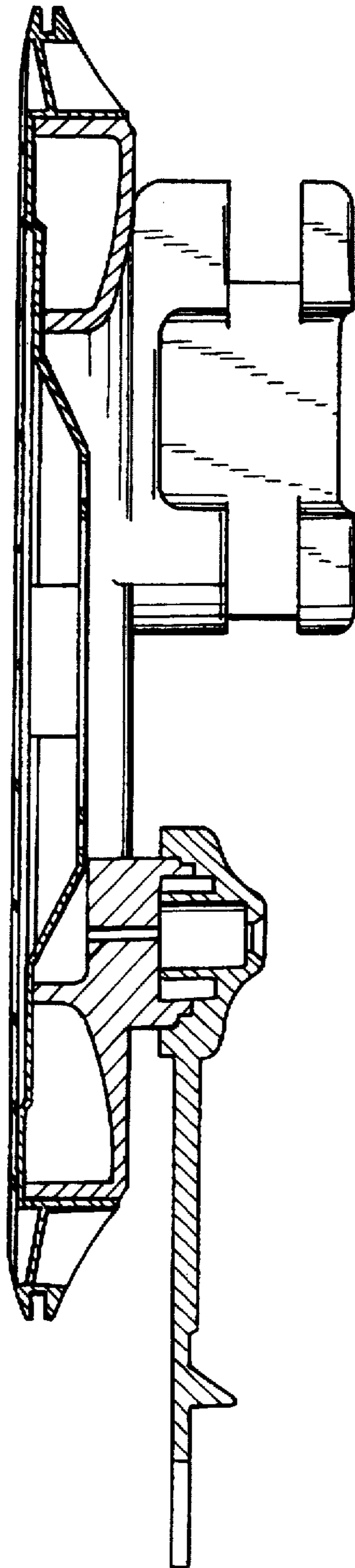


FIG. 8

