



US00D402947S

United States Patent [19]

[11] **Patent Number: Des. 402,947**

Weddle

[45] **Date of Patent: **Dec. 22, 1998**

[54] **HOOD FOR AN AGRICULTURAL MACHINE**

Primary Examiner—Melody N. Brown
Attorney, Agent, or Firm—Maginot, Addison & Moore

[75] Inventor: **Kenneth E. Weddle**, Trafalgar, Ind.

[57] **CLAIM**

[73] Assignee: **Equipment Technologies, L.L.C.**, Indianapolis, Ind.

The ornamental design for a hood for an agricultural machine, as shown and described.

[**] Term: **14 Years**

DESCRIPTION

[21] Appl. No.: **77,560**

FIG. 1 is a perspective view of a hood for an agricultural machine showing my new design;

[22] Filed: **Oct. 6, 1997**

FIG. 2 is a left side elevational view showing the design for the hood of FIG. 1;

[51] **LOC (6) Cl.** **12-16**

FIG. 3 is a right side elevational view showing the design for the hood of FIG. 1;

[52] **U.S. Cl.** **D12/173**

[58] **Field of Search** D12/173; 180/69.2, 180/89.1, 89.12; 296/190; D15/31, 17

FIG. 4 is a top elevational view showing the design for the hood of FIG. 1; and,

[56] **References Cited**

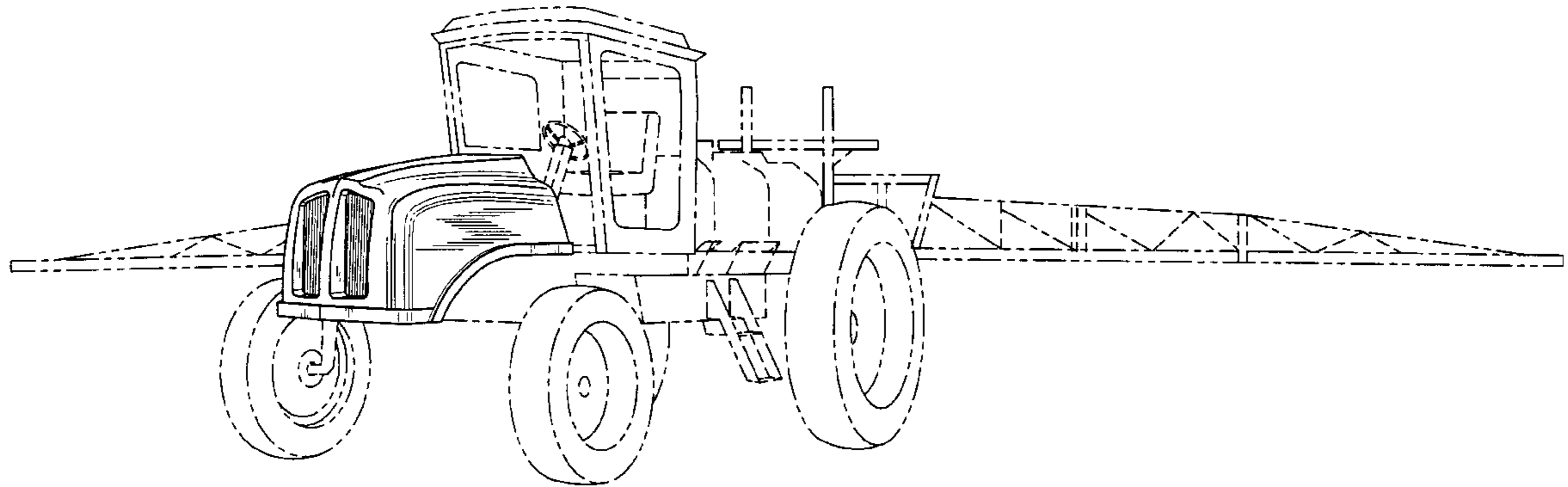
FIG. 5 is a front plan view showing the design for the hood of FIG. 1.

U.S. PATENT DOCUMENTS

D. 268,258	3/1983	Fisk	D12/169
D. 340,728	10/1993	Martena et al.	D15/15
D. 343,818	2/1994	Deboul et al.	D12/173
D. 383,470	9/1997	Westmayer et al.	D12/173
D. 393,436	4/1998	Williams	D12/173
5,193,638	3/1993	Holm	180/68.1

In FIG. 1, the broken lines showing of the agricultural machine other than the hood (e.g the cab, the tires, the boom segments and the solution tank) is for illustrative purposes only and forms no part of the claimed design.

1 Claim, 3 Drawing Sheets



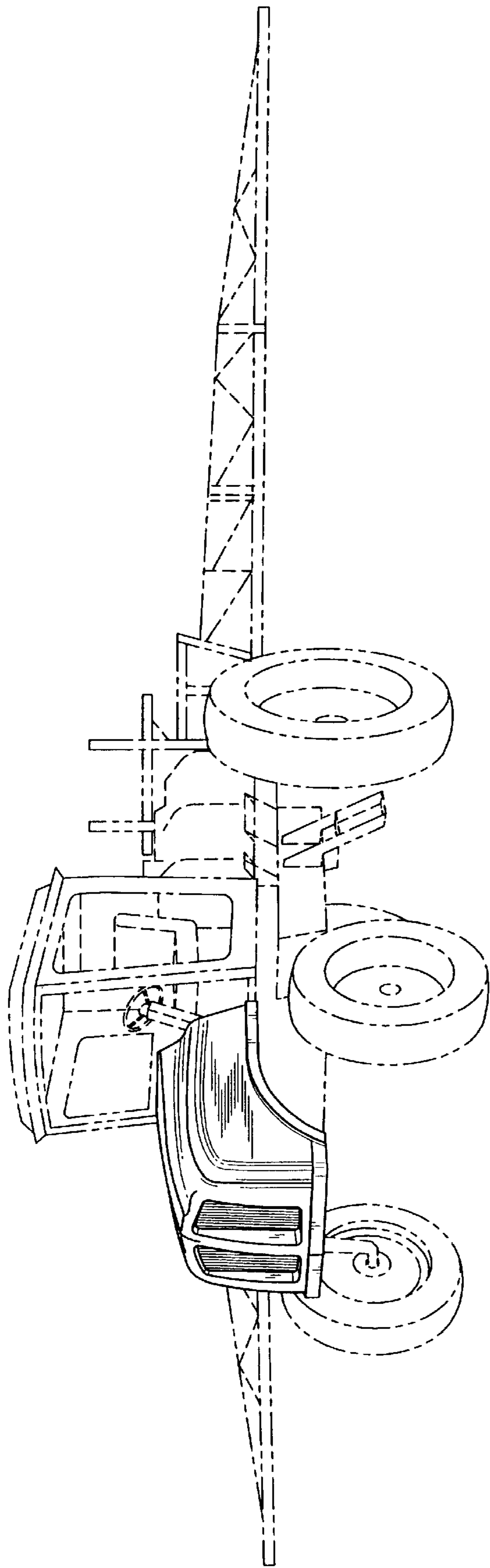


Fig. 1

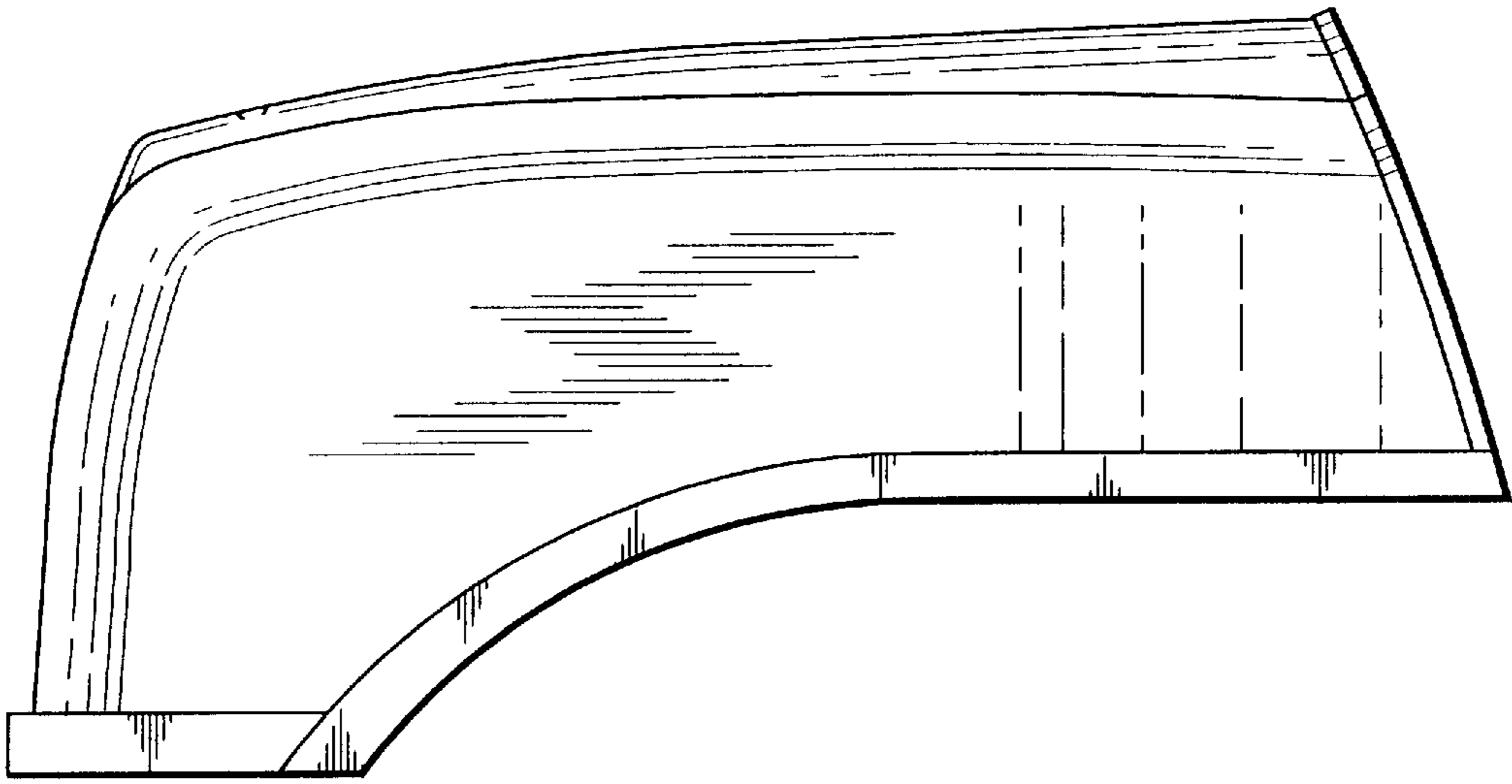


Fig. 2

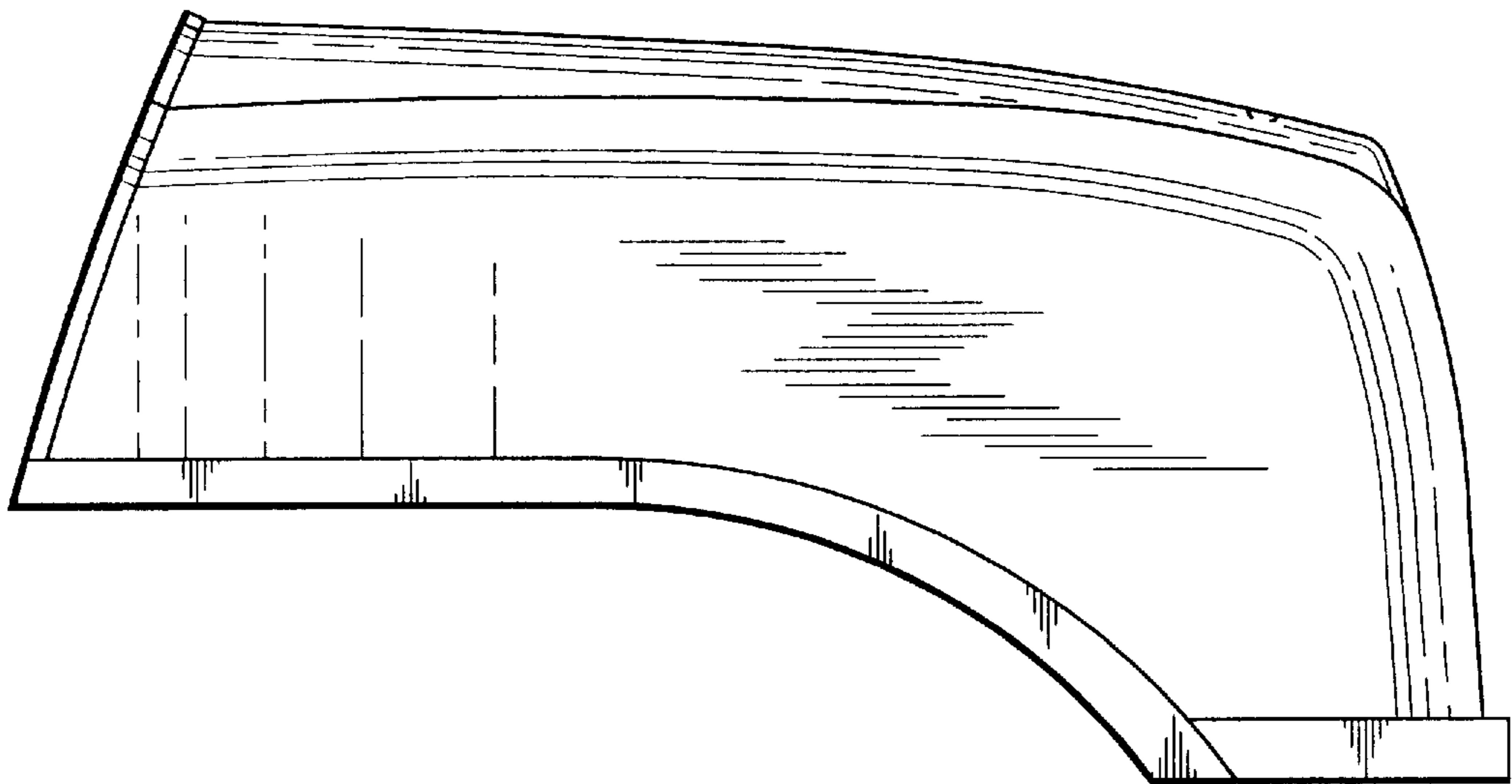


Fig. 3

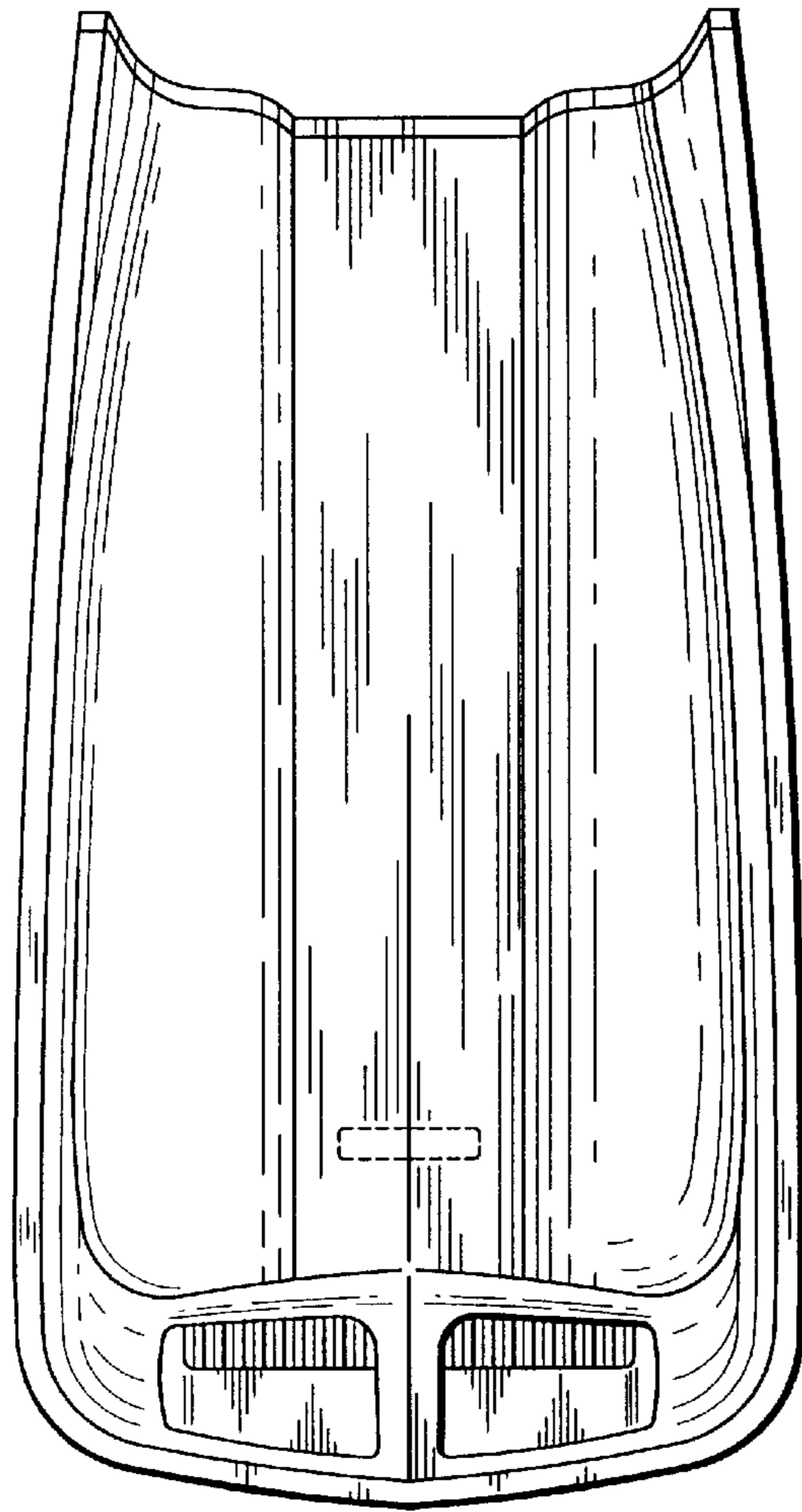


Fig. 4

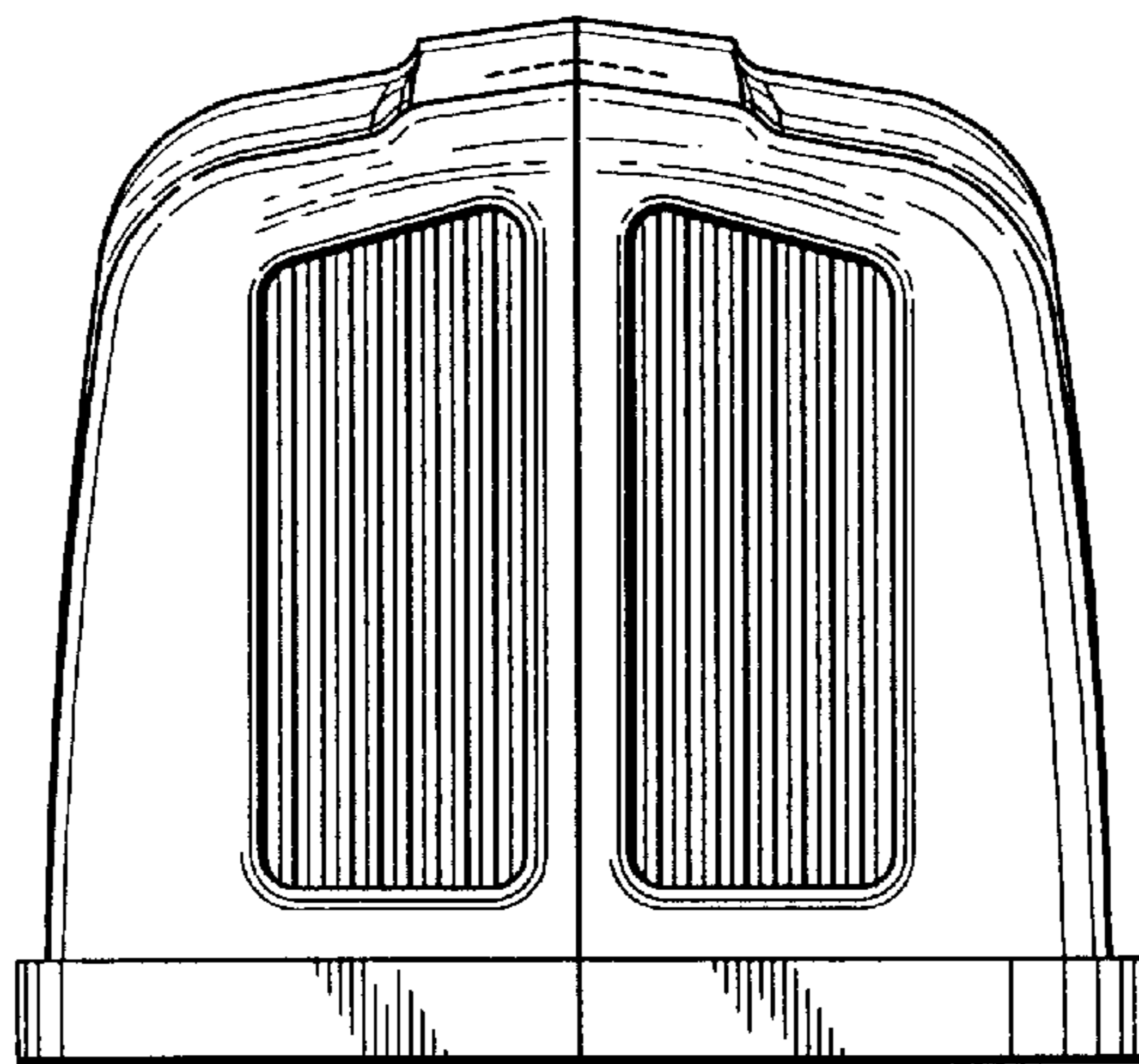


Fig. 5