



US00D402926S

United States Patent [19] Kciuk

[11] **Patent Number: Des. 402,926**

[45] **Date of Patent: **Dec. 22, 1998**

[54] **BICYCLE FRAME ASSEMBLY**

[75] Inventor: **Bernhard Kciuk**, Beistein, Germany

[73] Assignee: **Dr. Ing.h.c.F. Porsche AG**, Weissach, Germany

[**] Term: **14 Years**

[21] Appl. No.: **76,511**

[22] Filed: **Sep. 12, 1997**

[30] **Foreign Application Priority Data**

Mar. 15, 1997 [DE] Germany M 97 02 554.2

[51] **LOC (6) Cl.** **12-11**

[52] **U.S. Cl.** **D12/111**

[58] **Field of Search** D12/111; 280/281.1, 280/288.1-288.3, 283, 284, 275

[56] **References Cited**

U.S. PATENT DOCUMENTS

D. 321,156	10/1991	Browning	D12/111
D. 331,376	12/1992	Sewell	D12/111
D. 368,678	4/1996	Wilcox et al.	D12/111
D. 370,436	6/1996	Wersen et al.	D12/111
D. 377,464	1/1997	Kciuk	D12/111
D. 377,465	1/1997	Kciuk	D12/111
D. 379,949	6/1997	Falvey, Jr.	D12/111
5,415,423	5/1995	Allsop et al.	280/281.1
5,452,910	9/1995	Harry	280/284
5,456,482	10/1995	Ran	280/284

Primary Examiner—Melody N. Brown
Attorney, Agent, or Firm—Evenson McKeown Edwards & Lenahan, PLLC

[57] **CLAIM**

The ornamental design for a bicycle frame assembly, as shown and described.

DESCRIPTION

FIG. 1 is a right side view of a bicycle frame assembly according to my novel design;

FIG. 2 is a left side view of the bicycle frame assembly according to my novel design;

FIG. 3 is a front view of the bicycle frame assembly according to my novel design;

FIG. 4 is a rear view of the bicycle frame assembly according to my novel design;

FIG. 5 is a top view of the bicycle frame assembly according to my novel design;

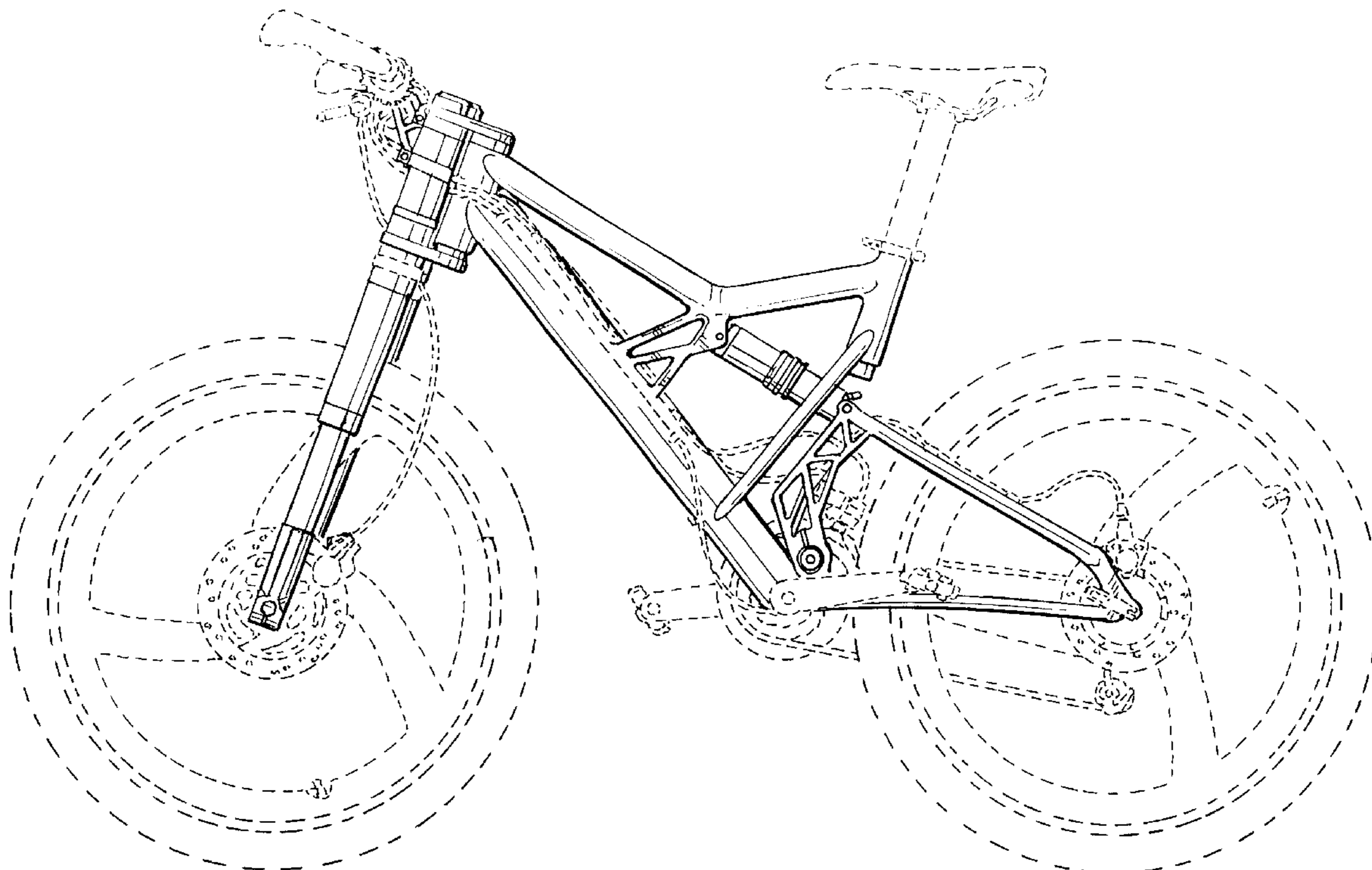
FIG. 6 is a bottom view of the bicycle frame assembly according to my novel design;

FIG. 7 is an enlarged fragmentary side view of the central portion of the bicycle frame assembly according to my novel design; and,

FIG. 8 is an enlarged fragmentary side perspective view of the central portion of the bicycle frame assembly according to my novel design.

Features shown in broken lines depict the environment and do not form part of the claimed design.

1 Claim, 7 Drawing Sheets



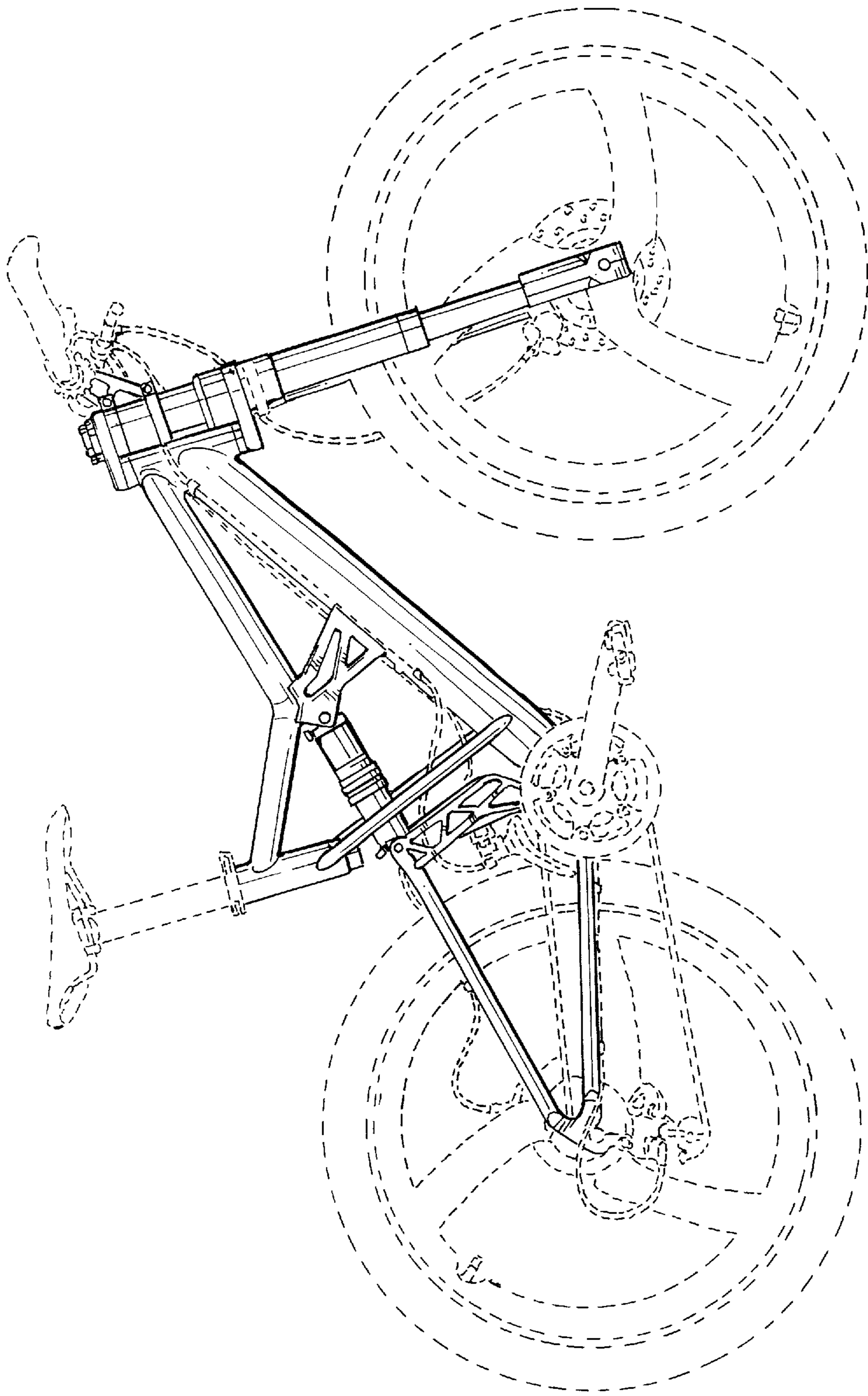


FIG. 1

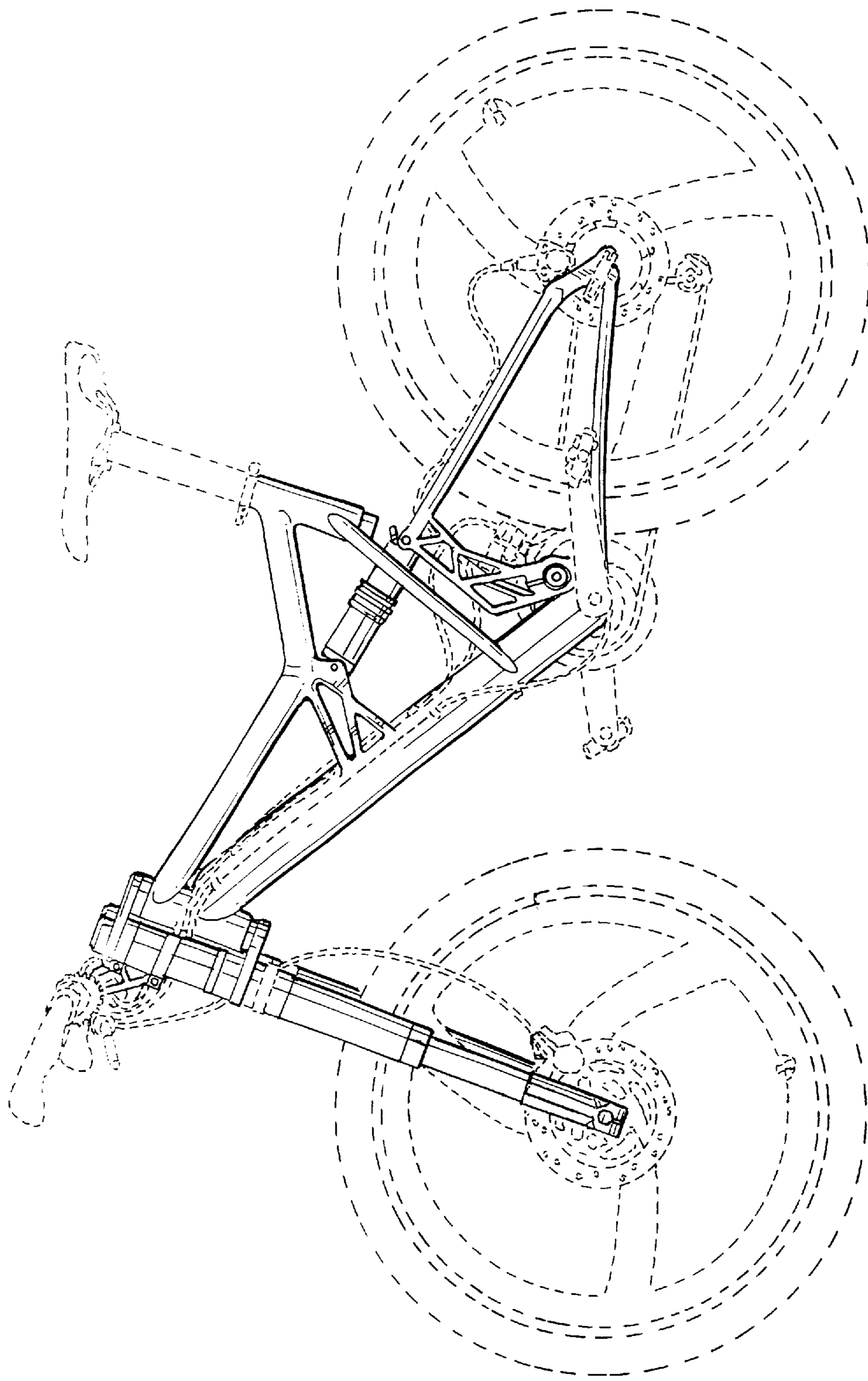


FIG. 2

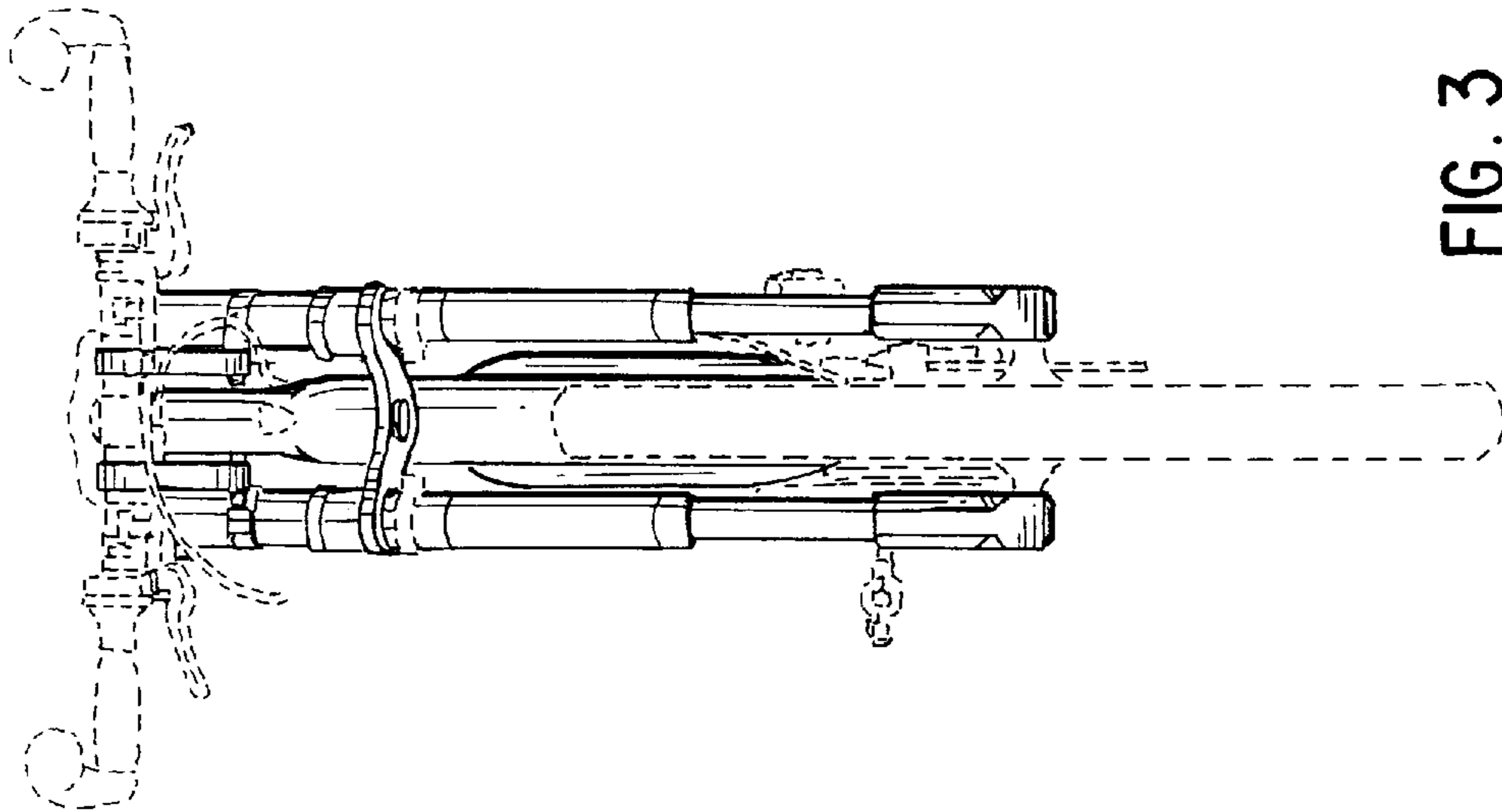


FIG. 3

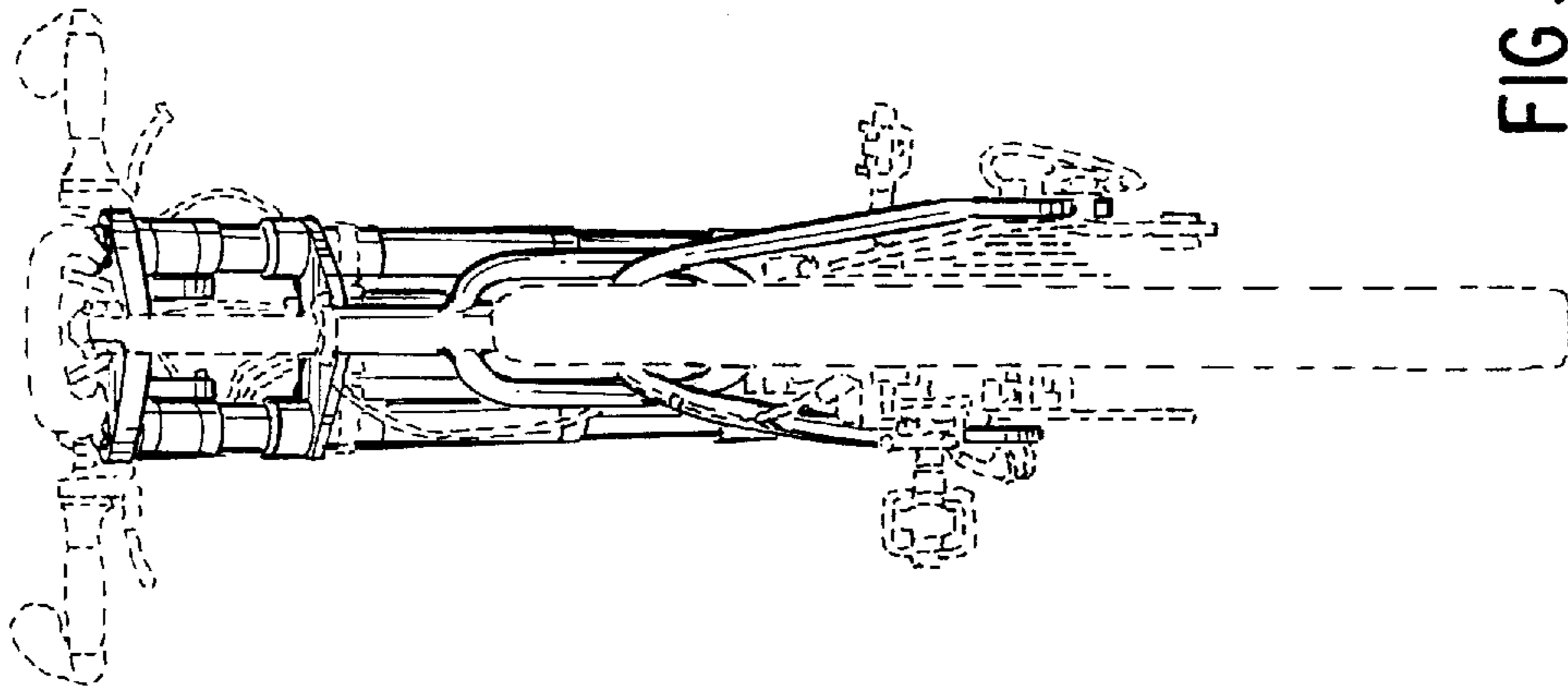


FIG. 4

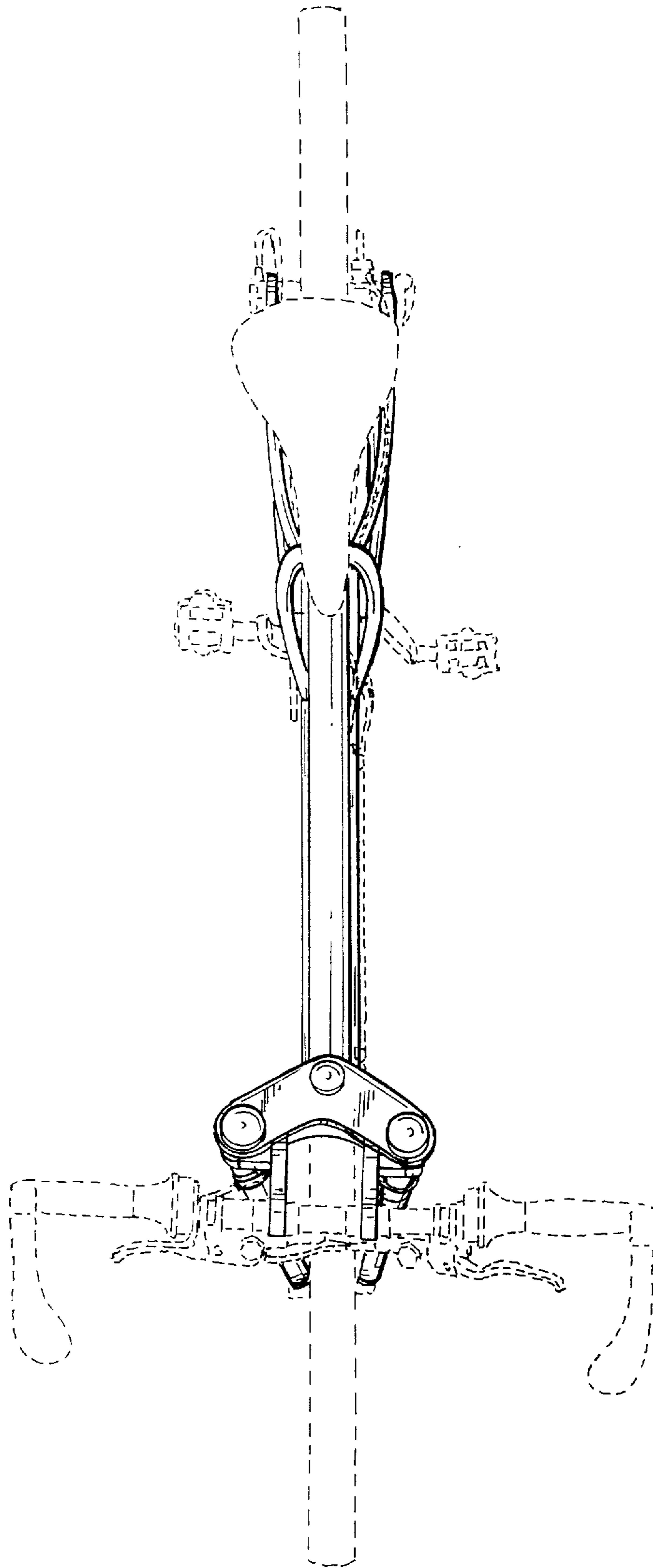


FIG. 5

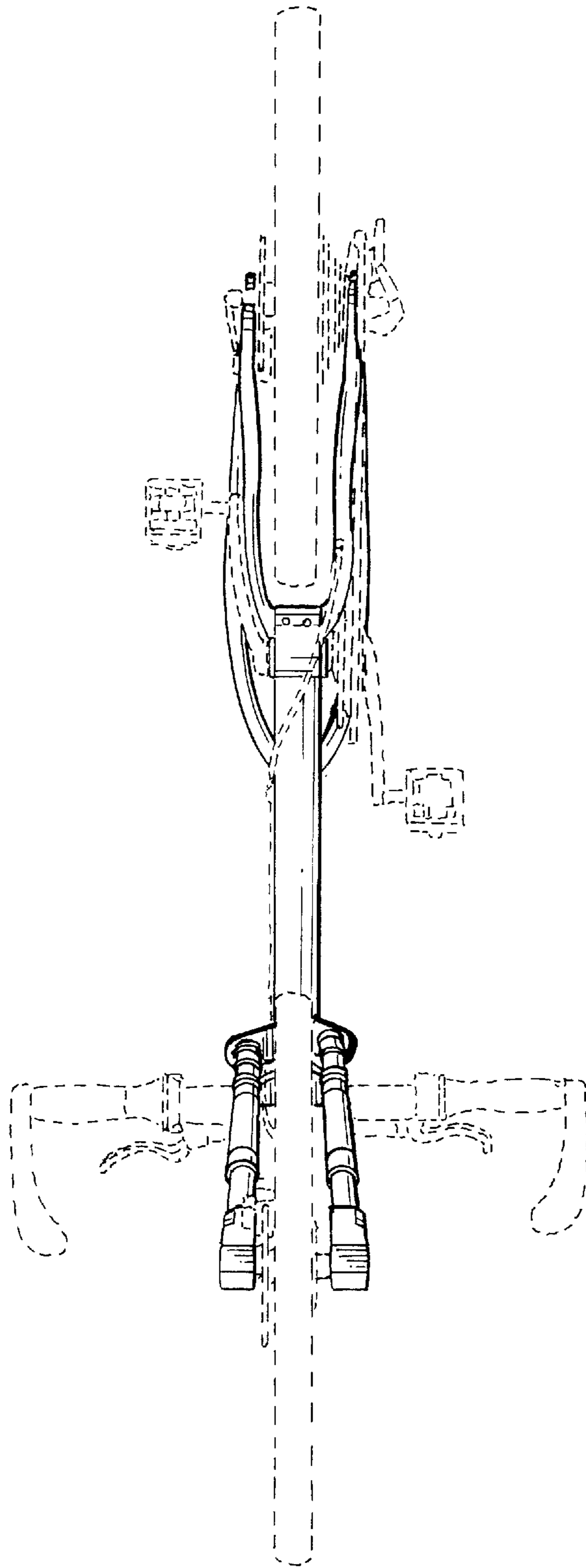


FIG. 6

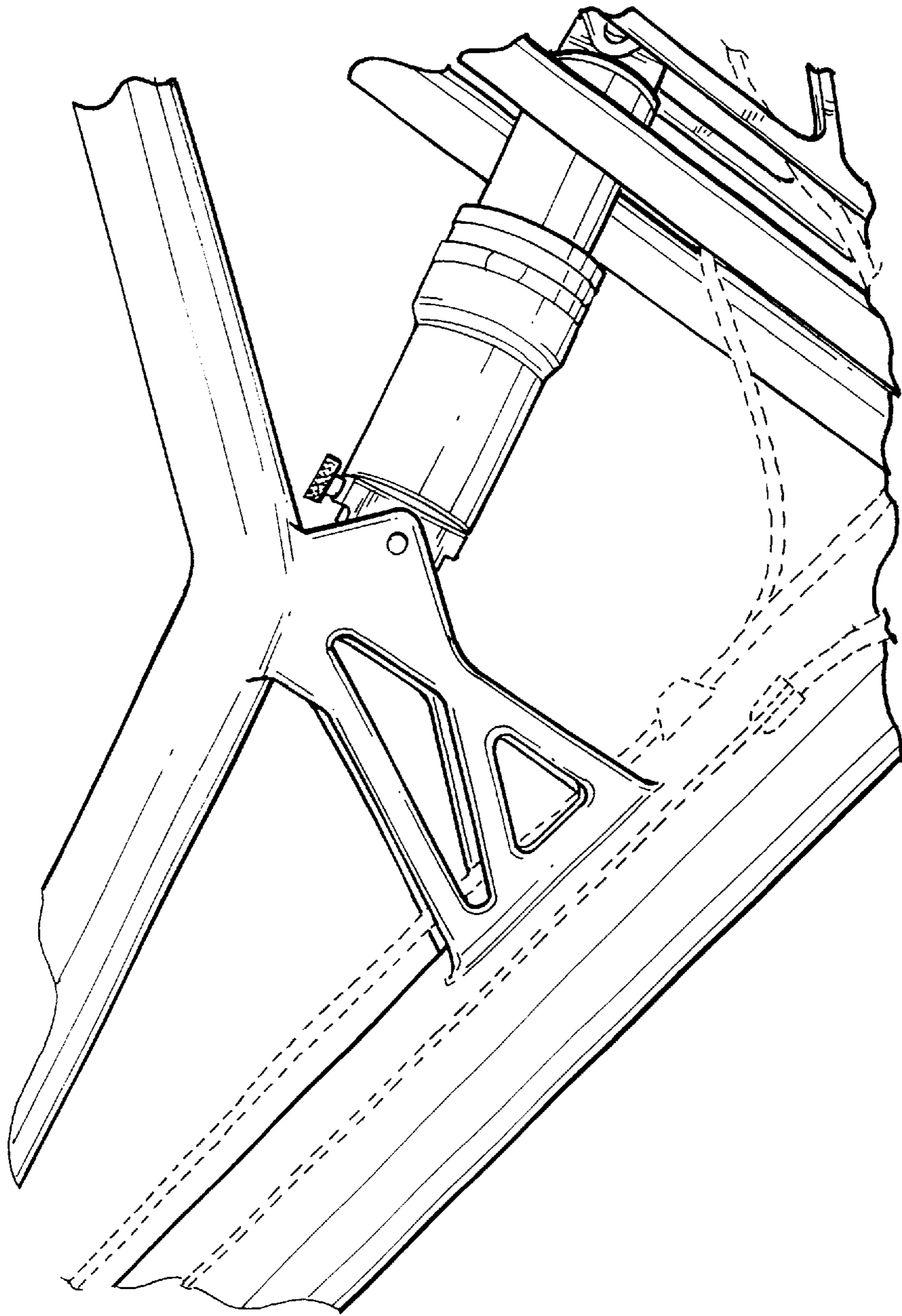


FIG. 7

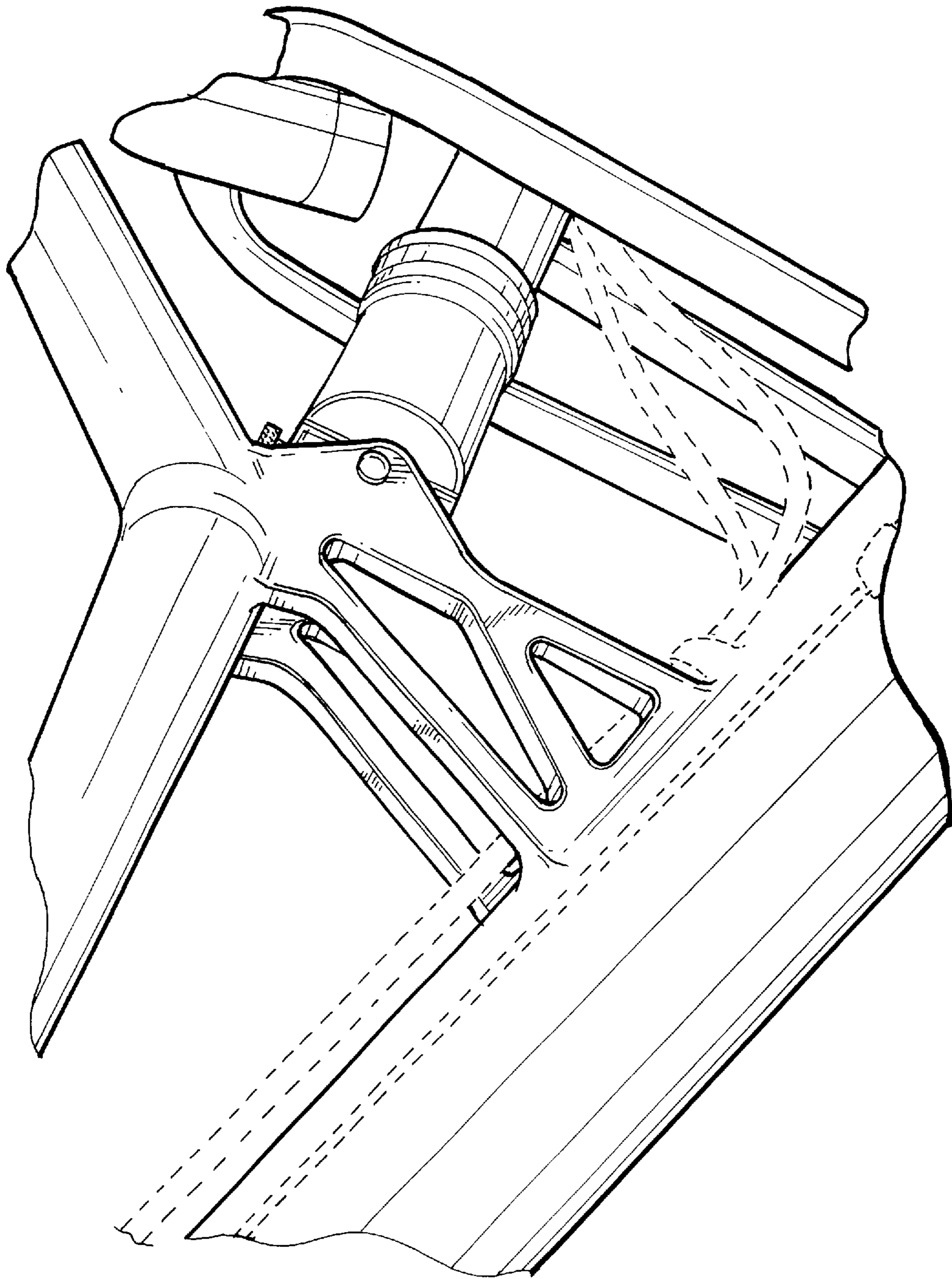


FIG. 8