



US00D402915S

# United States Patent [19]

[11] Patent Number: **Des. 402,915**

Weder et al.

[45] Date of Patent: **\*\*\*Dec. 22, 1998**

[54] **FLOWER POT COVER**

[75] Inventors: **Donald E. Weder; Joseph G. Straeter,**  
both of Highland, Ill.

[73] Assignee: **Southpac Trust International, Inc.**

[\*] Notice: The term of this patent shall not extend beyond the expiration date of Pat. Nos. D. 360,384, D. 360,389, D. 361,293, D. 361,298 and D. 383,081.

[\*\*] Term: **14 Years**

[21] Appl. No.: **72,640**

[22] Filed: **Jun. 20, 1997**

### Related U.S. Application Data

[62] Division of Ser. No. 54,062, May 6, 1996, Pat. No. Des. 388,740, which is a division of Ser. No. 3,682, Jan. 13, 1993, Pat. No. Des. 371,520, which is a continuation-in-part of Ser. No. 809,080, Dec. 16, 1991, Pat. No. Des. 361,961, which is a continuation-in-part of Ser. No. 710,272, Jun. 4, 1991, Pat. No. Des. 365,302, which is a continuation-in-part of Ser. No. 617,454, Nov. 21, 1990, said Ser. No. 710,272, Jun. 4, 1991, Pat. No. Des. 365,302, is a continuation-in-part of Ser. No. 411,249, Sep. 22, 1989, Pat. No. Des. 358,113, which is a continuation-in-part of Ser. No. 710,272, Jun. 4, 1991, Pat. No. Des. 365,302, which is a continuation-in-part of Ser. No. 411,247, Sep. 22, 1989, abandoned, said Ser. No. 710,272, Jun. 4, 1991, Pat. No. Des. 365,302, is a continuation-in-part of Ser. No. 411,245, Sep. 22, 1989, abandoned.

[51] **LOC (6) Cl.** ..... **11-02**

[52] **U.S. Cl.** ..... **D11/164**

[58] **Field of Search** ..... D11/143, 149, D11/152-156, 164, 89, 90; 47/66, 72; 206/423; 215/100.5; 229/1.5 R, 1.5 B, 4.5, 108, 108.1, 109, 110, 87.01, 922, 930, 186, 189; 428/27, 35.1, 24, 542.6; D9/346, 428-431; D27/102, 133; D26/128-136; D19/96; D7/540, 584, 586, 587, 354

### [56] References Cited

#### U.S. PATENT DOCUMENTS

D. 292,182 10/1987 Weder et al. .... D11/164  
D. 292,562 11/1987 Weder et al. .... D11/164

D. 293,224 12/1987 Weder et al. .... D11/164  
D. 293,775 1/1988 Weder et al. .... D11/164  
D. 313,574 1/1991 Weder et al. .... D11/164  
D. 317,583 6/1991 Weder et al. .... D11/164  
D. 318,030 7/1991 Weder et al. .... D11/164  
D. 327,234 6/1992 Vaughn ..... D11/143  
D. 355,392 2/1995 Weder et al. .... D11/153  
D. 360,384 7/1995 Weder et al. .... D11/164  
D. 360,389 7/1995 Weder et al. .... D11/143 X  
D. 361,293 8/1995 Weder et al. .... D11/164  
D. 361,298 8/1995 Weder et al. .... D11/143 X  
D. 361,961 9/1995 Weder et al. .... D11/164  
D. 364,119 11/1995 Weder et al. .... D11/164  
D. 371,520 7/1996 Weder et al. .... D11/164  
D. 374,204 10/1996 Weder ..... D11/164  
D. 383,088 9/1997 Weder et al. .... D11/164  
1,065,486 6/1913 Washburn .  
1,300,164 4/1919 Guardino ..... 229/1.5 B  
1,520,647 12/1924 Hennegan ..... 47/72  
1,794,212 2/1931 Snyder ..... 47/72  
2,054,934 9/1936 Graffenberger ..... 229/21  
2,102,510 12/1937 Cecil, II ..... 229/52  
2,317,067 4/1943 Knaust ..... 229/1.5  
2,355,559 8/1944 Renner ..... 229/8  
2,367,749 1/1945 Barbieri ..... 93/60  
3,443,741 5/1969 Stockdale ..... 229/51  
5,127,817 7/1992 Weder et al. .... 425/383  
5,339,565 8/1994 Weder et al. .... 47/72

#### FOREIGN PATENT DOCUMENTS

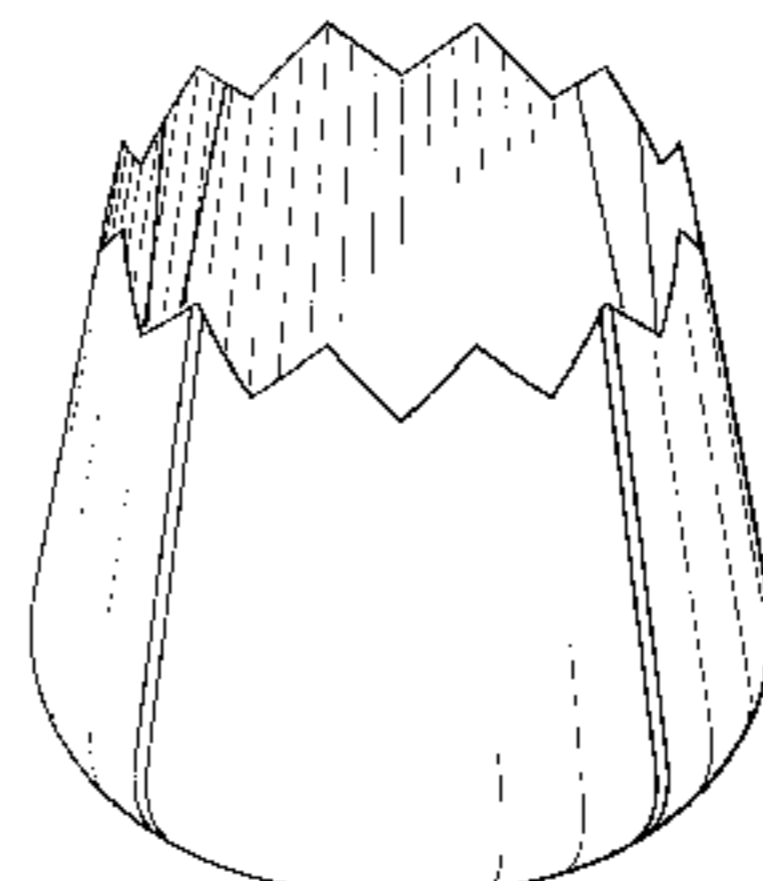
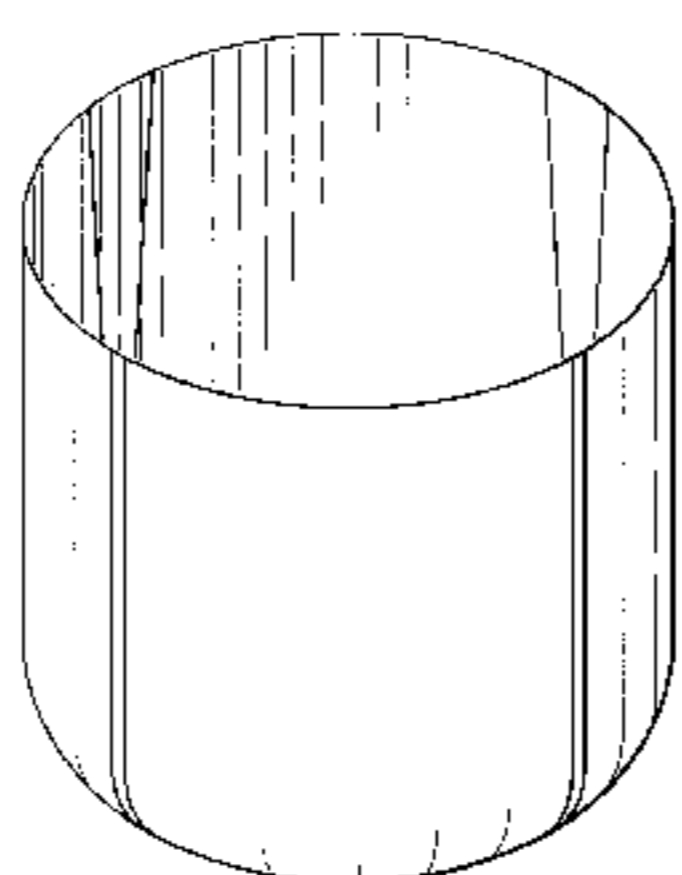
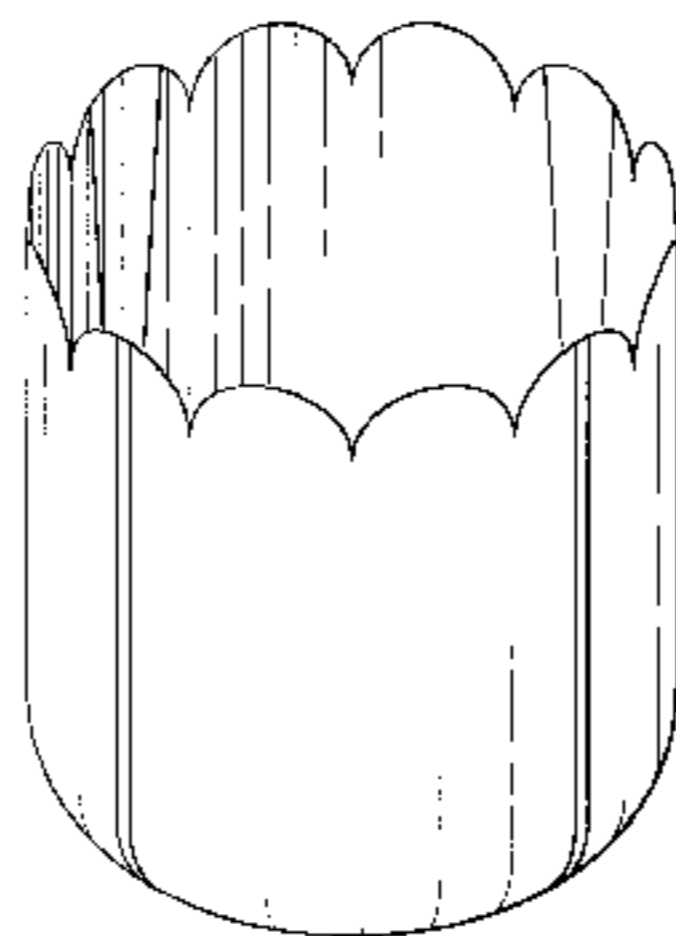
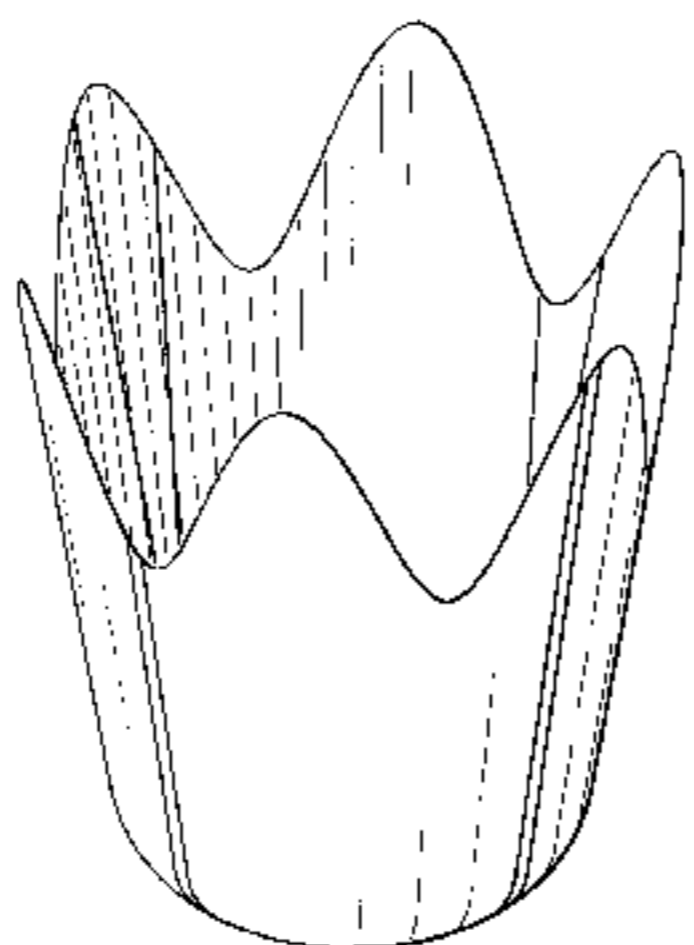
103316 3/1938 Australia .  
785369 8/1935 France ..... 229/186  
153402 of 1903 Germany ..... 47/72  
1115 of 1887 Sweden ..... 47/72  
17903 5/1899 Switzerland ..... 47/72  
54263 7/1912 Switzerland ..... 47/72

#### OTHER PUBLICATIONS

The Glassware of Frederick Carder, p. 217, 1971.

The Simple Solution For Those Peak Volume Periods, Speed Covers® 1989©, 4 pages, a brochure published by Highland Supply Corporation, 1111 Sixth St., Highland, IL 62249.

*Primary Examiner*—Jeffrey Asch  
*Attorney, Agent, or Firm*—Dunlap & Coddling, P.C.



[57]

**CLAIM**

The ornamental design for a flower pot cover, as shown and described.

**DESCRIPTION**

FIG. 1 is a perspective view of our new flower pot cover design;  
FIG. 2 is a side elevational view thereof;  
FIG. 3 is a top plan view thereof;  
FIG. 4 is a bottom plan view thereof;  
FIG. 5 is a perspective view of a second embodiment of our new flower pot cover design;  
FIG. 6 is a side elevational view thereof;  
FIG. 7 is a top plan view thereof;  
FIG. 8 is a bottom plan view thereof;  
FIG. 9 is a perspective view of a third embodiment of our new flower pot cover design;  
FIG. 10 is a side elevational view thereof;  
FIG. 11 is a top plan view thereof;  
FIG. 12 is a bottom plan view thereof;  
FIG. 13 is a perspective view of a fourth embodiment of our new flower pot cover design;  
FIG. 14 is a side elevational view thereof;  
FIG. 15 is a top plan view thereof;  
FIG. 16 is a bottom plan view thereof;  
FIG. 17 is a perspective view of a fifth embodiment of our new flower pot cover design;

FIG. 18 is a side elevational view thereof;  
FIG. 19 is a top plan view thereof;  
FIG. 20 is a bottom plan view thereof;  
FIG. 21 is a perspective view of a sixth embodiment of our new flower pot cover design;  
FIG. 22 is a side elevational view thereof;  
FIG. 23 is a top plan view thereof;  
FIG. 24 is a bottom plan view thereof;  
FIG. 25 is a perspective view of a seventh embodiment of our new flower pot cover design;  
FIG. 26 is a side elevational view thereof;  
FIG. 27 is a top plan view thereof;  
FIG. 28 is a bottom plan view thereof;  
FIG. 29 is a perspective view of an eighth embodiment of our new flower pot cover design;  
FIG. 30 is a side elevational view thereof;  
FIG. 31 is a top plan view thereof;  
FIG. 32 is a bottom plan view thereof;  
FIG. 33 is a perspective view of a ninth embodiment of our new flower pot cover design;  
FIG. 34 is a side elevational view thereof;  
FIG. 35 is a top plan view thereof; and,  
FIG. 36 is a bottom plan view thereof.

**1 Claim, 9 Drawing Sheets**

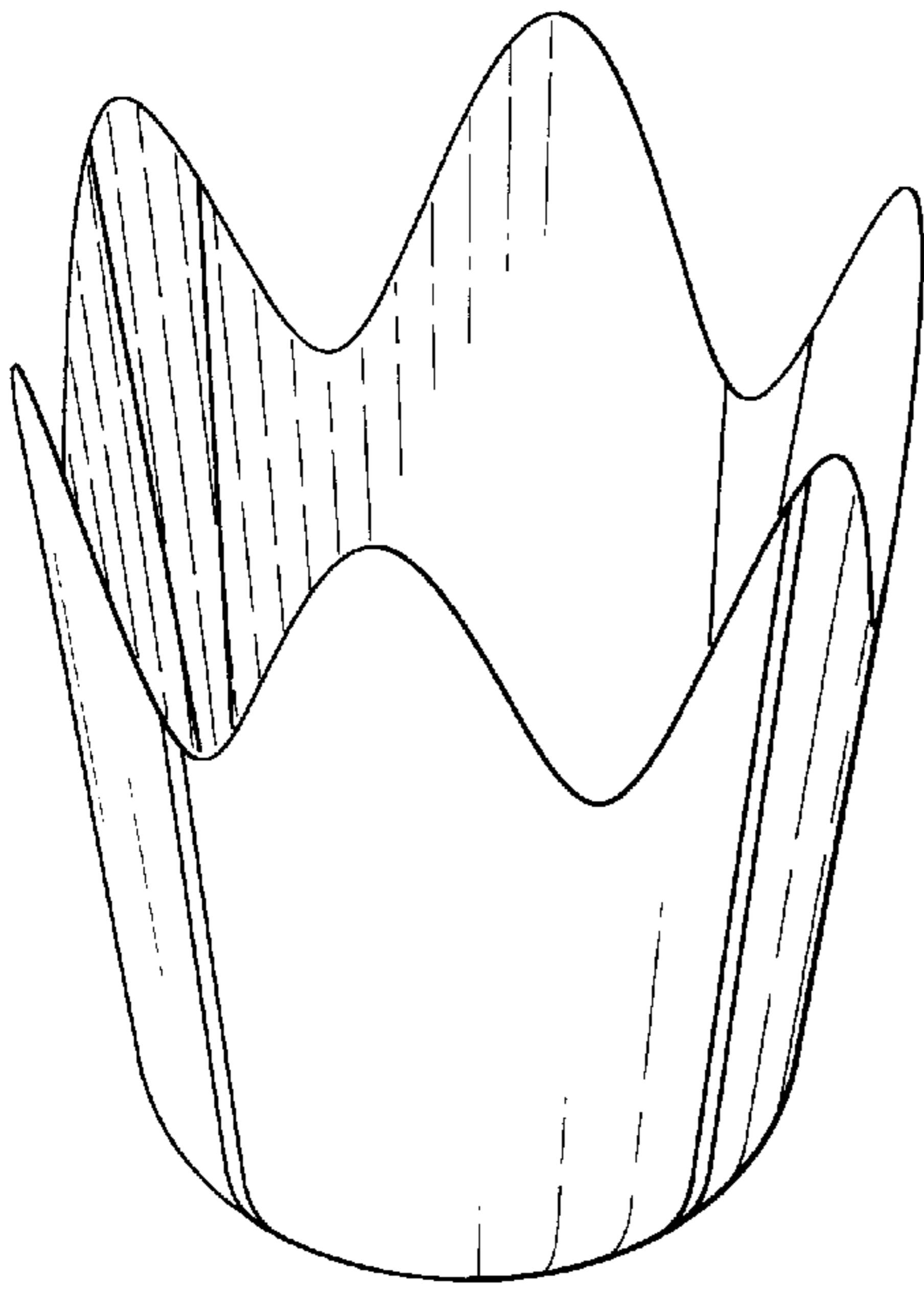


FIG. 1

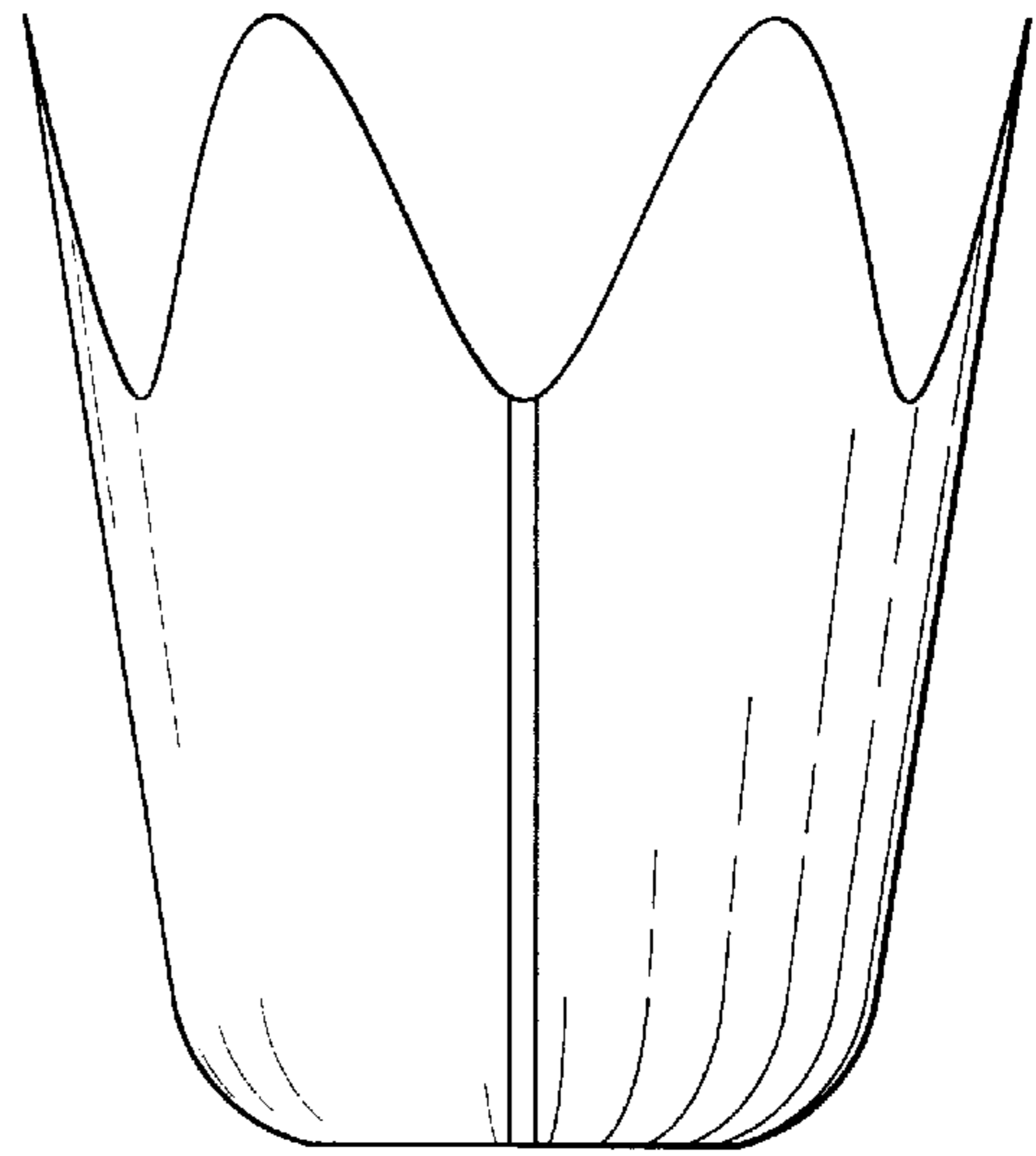


FIG. 2

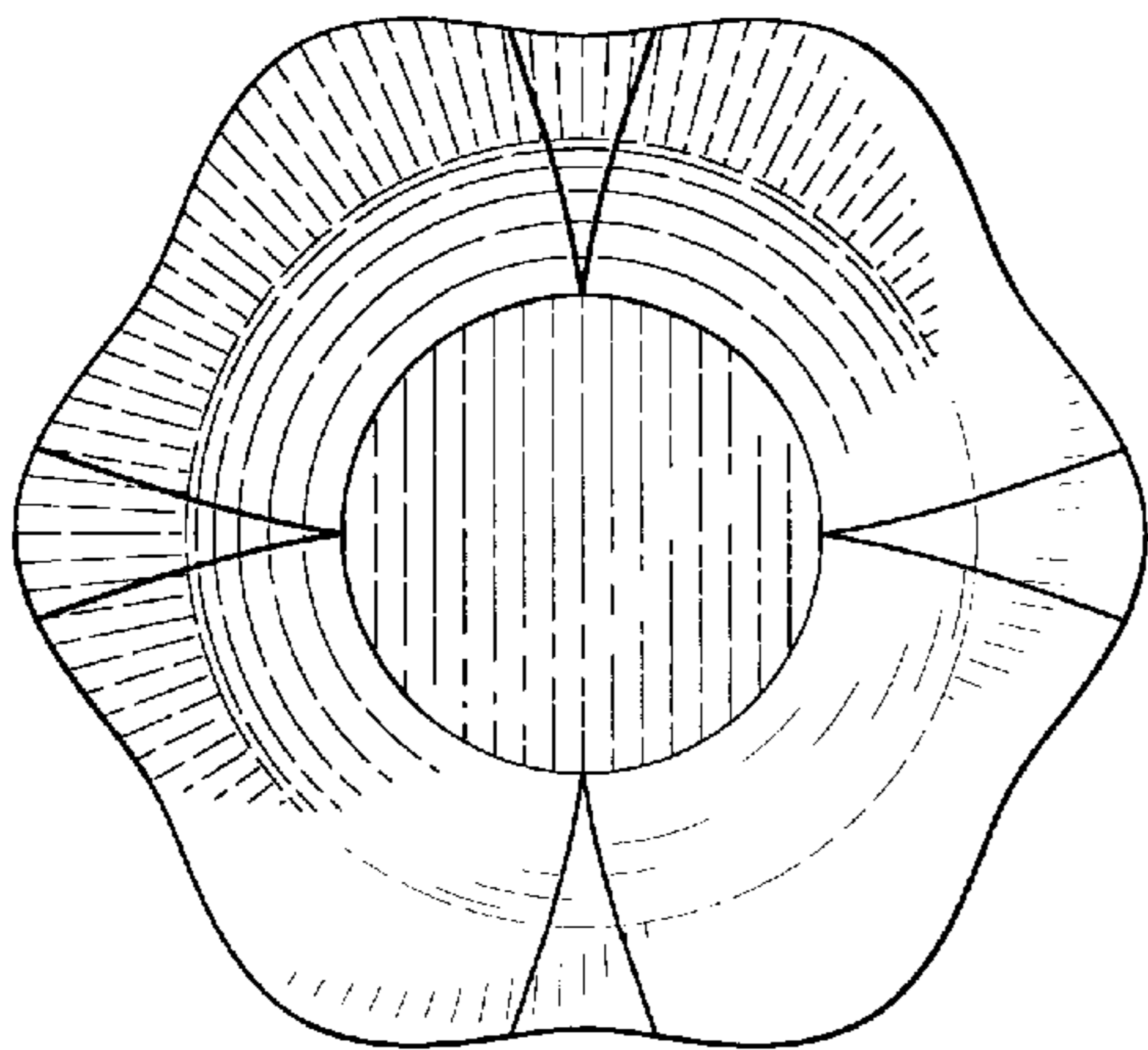


FIG. 3

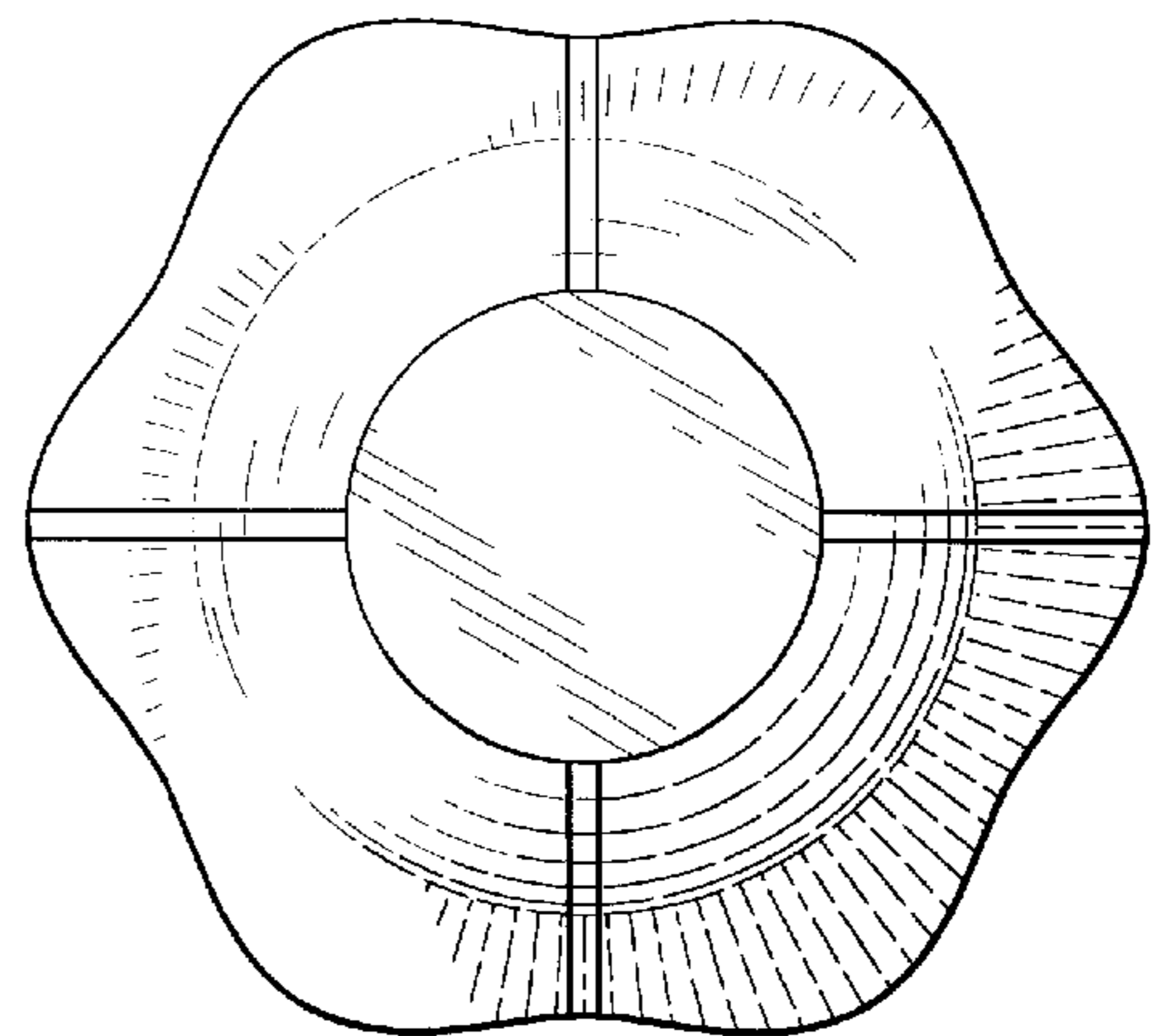


FIG. 4

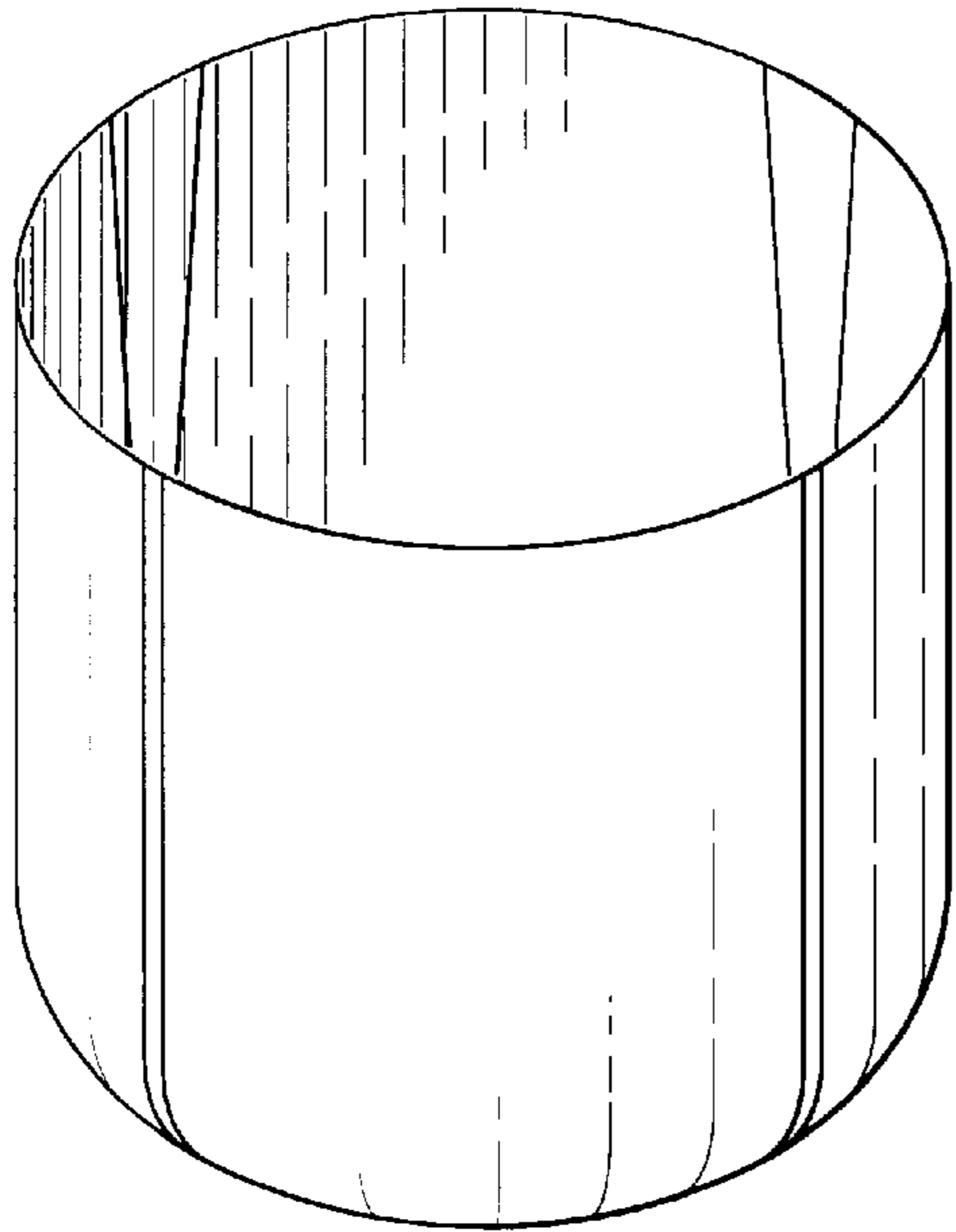


FIG. 5

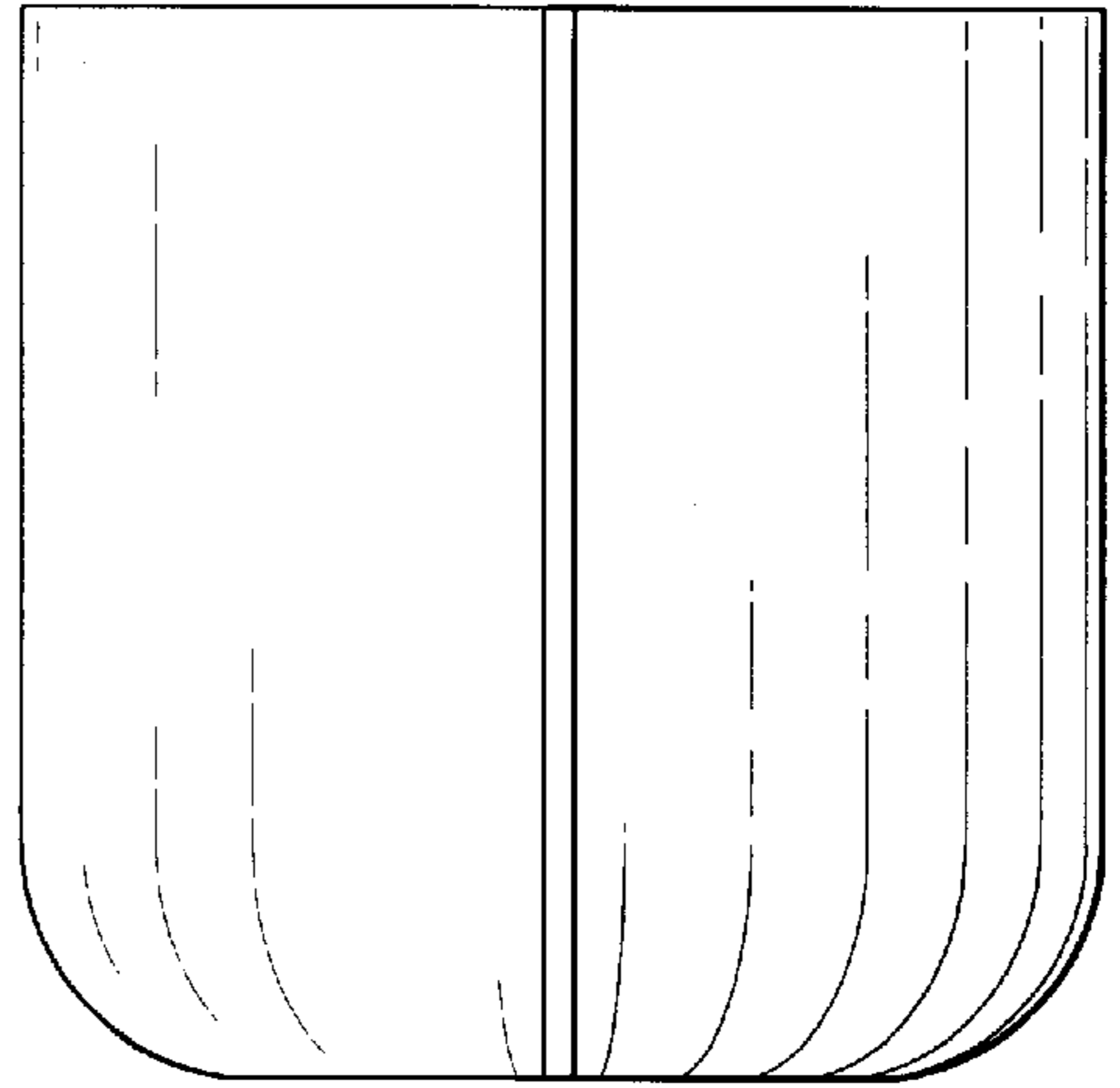


FIG. 6

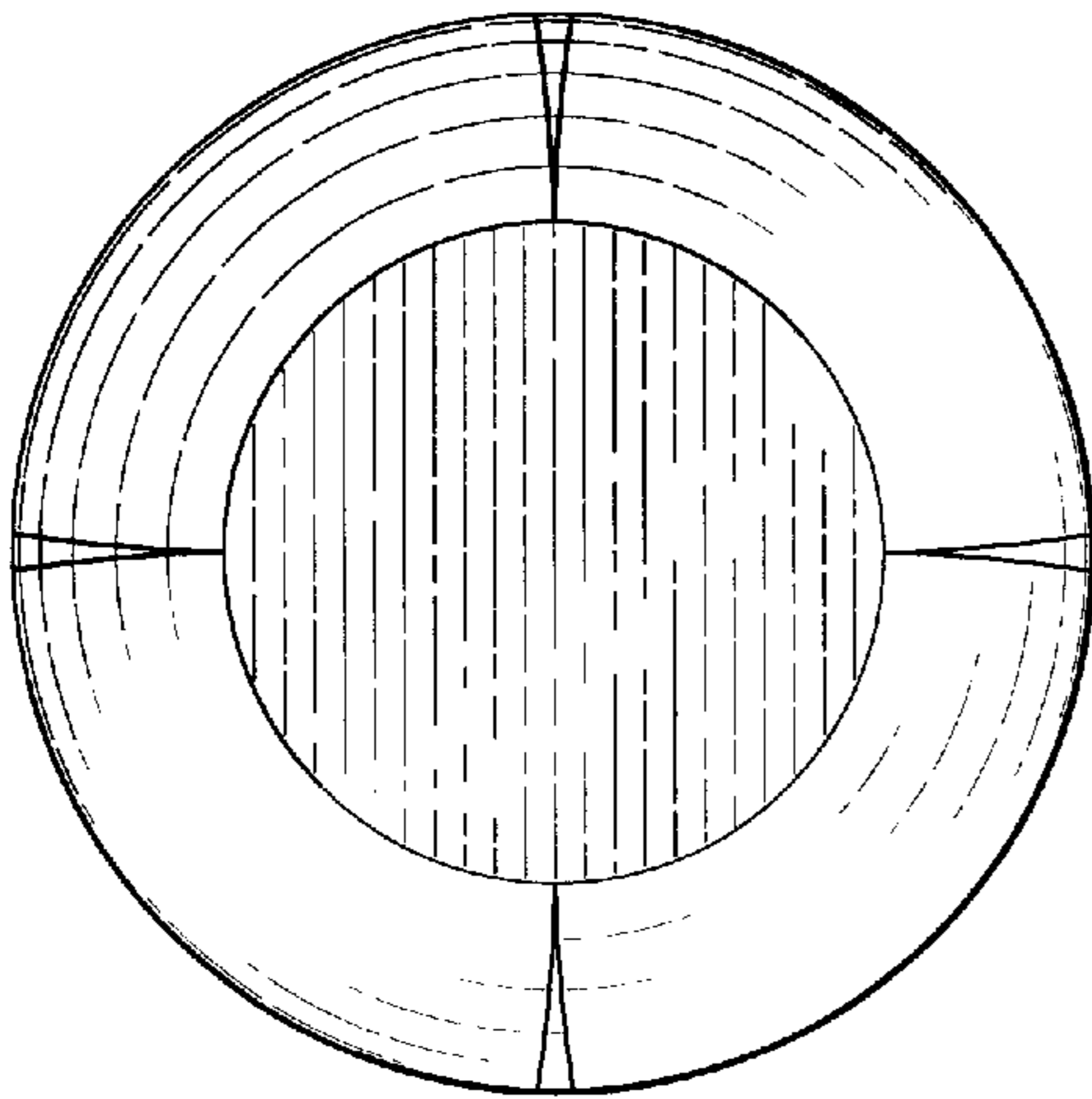


FIG. 7

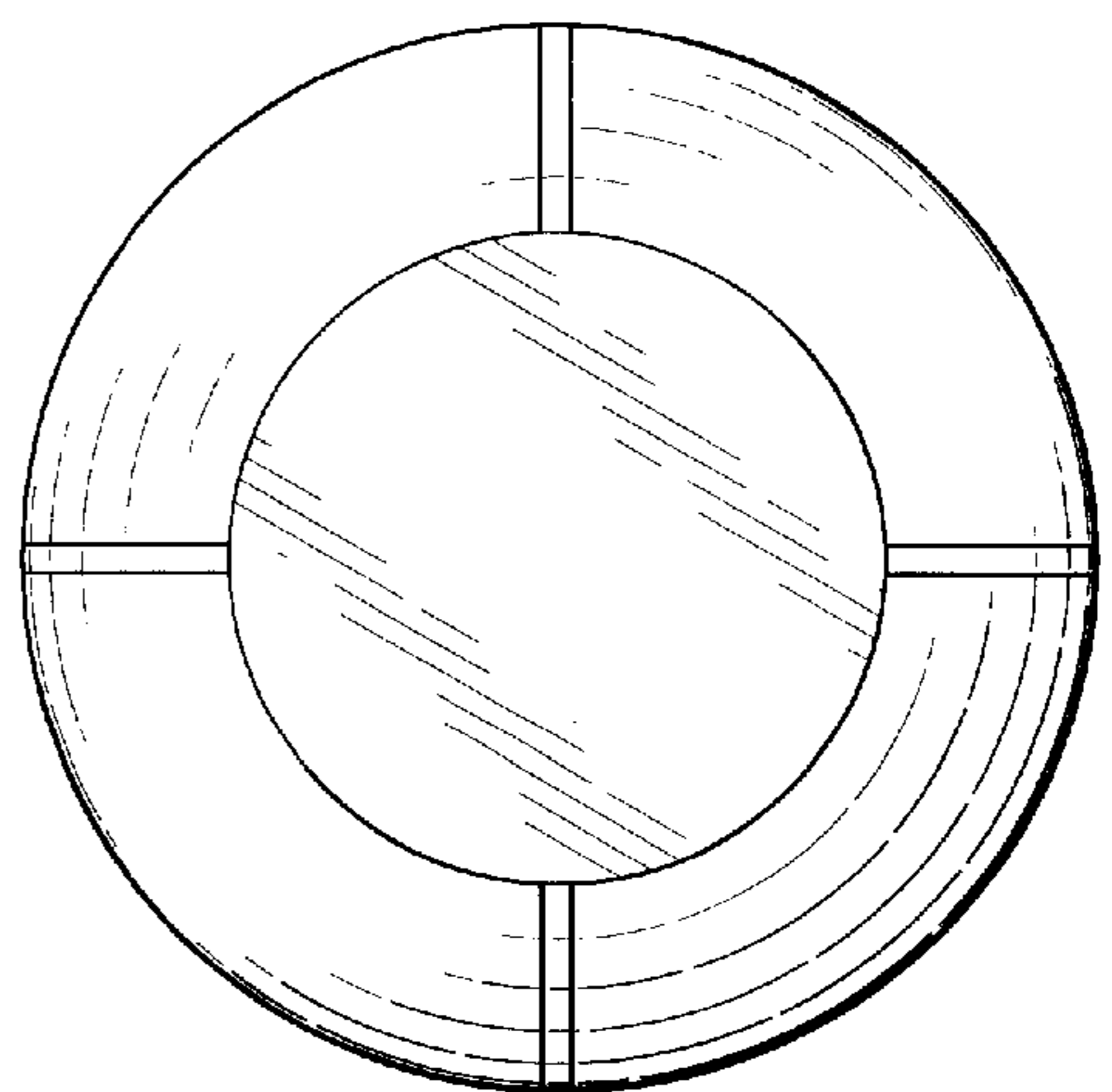


FIG. 8

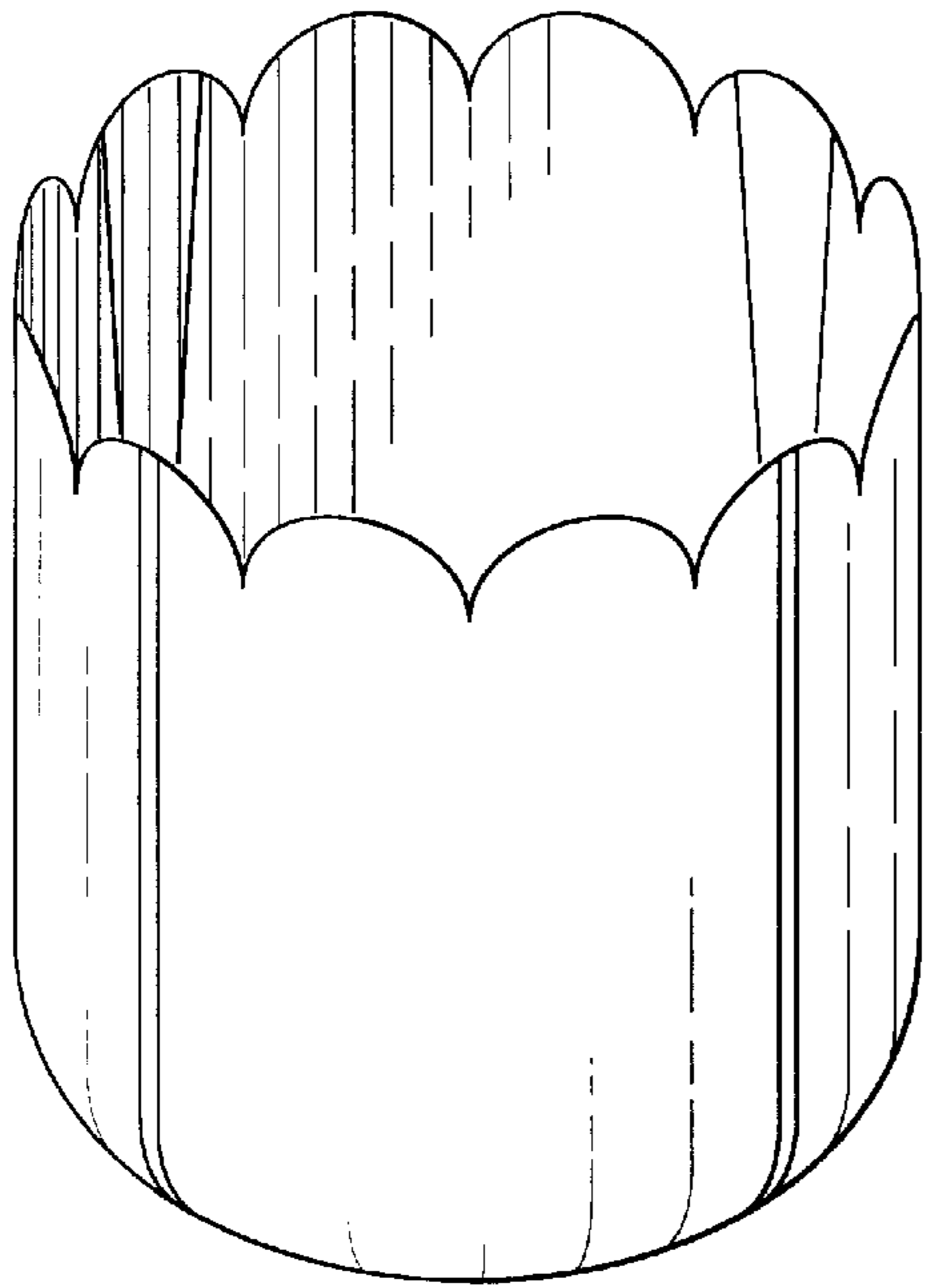


FIG. 9

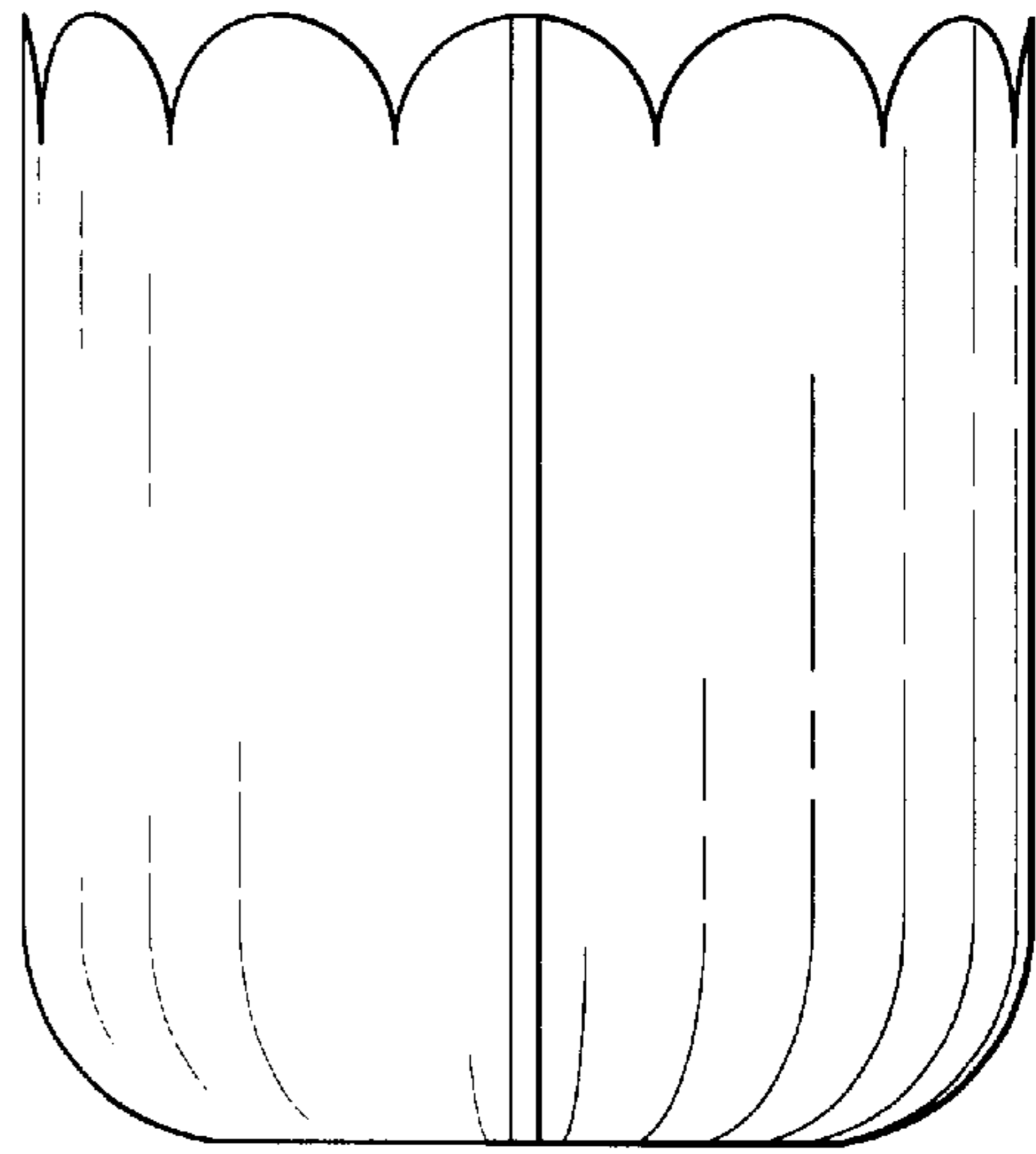


FIG. 10

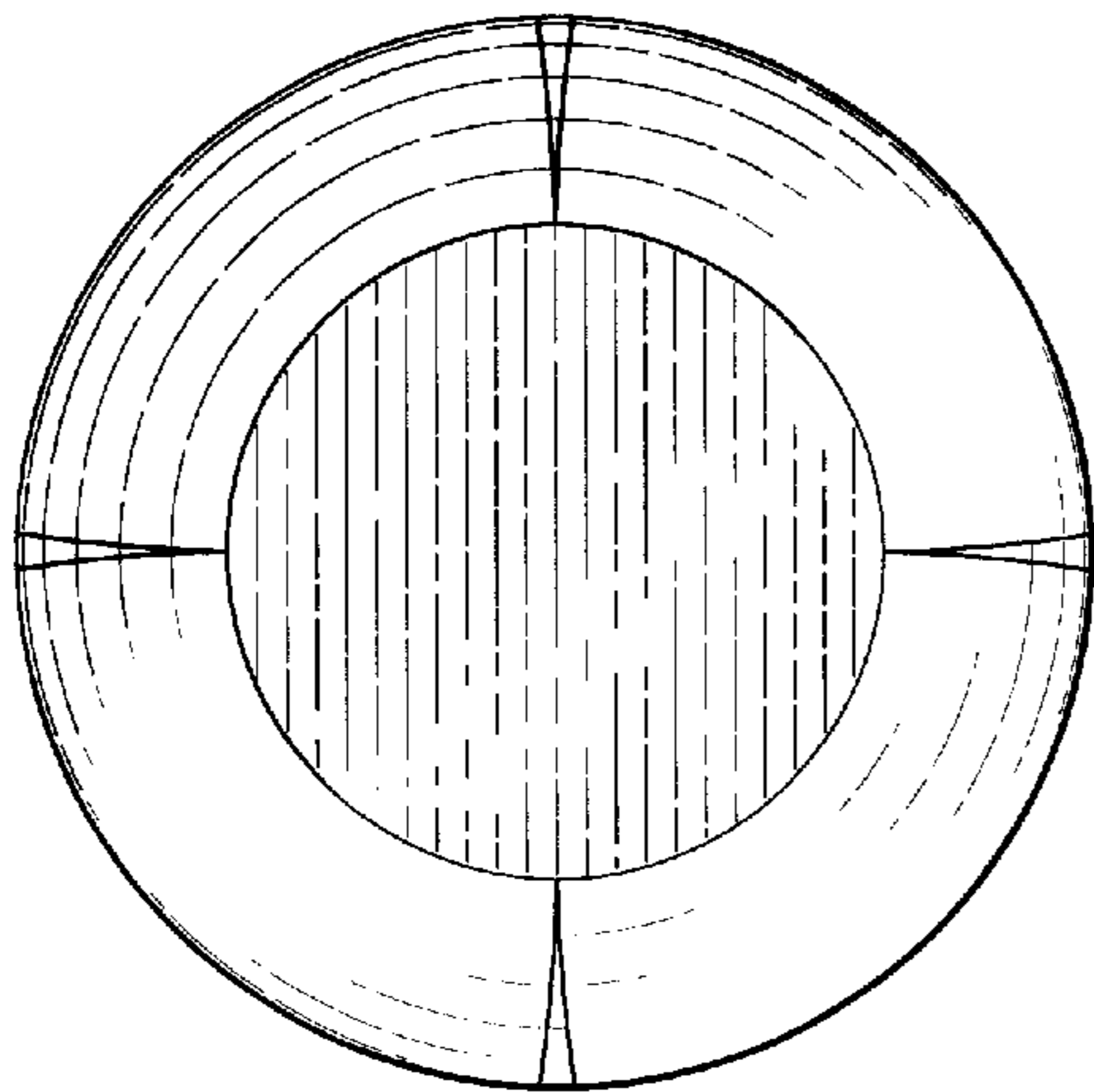


FIG. 11

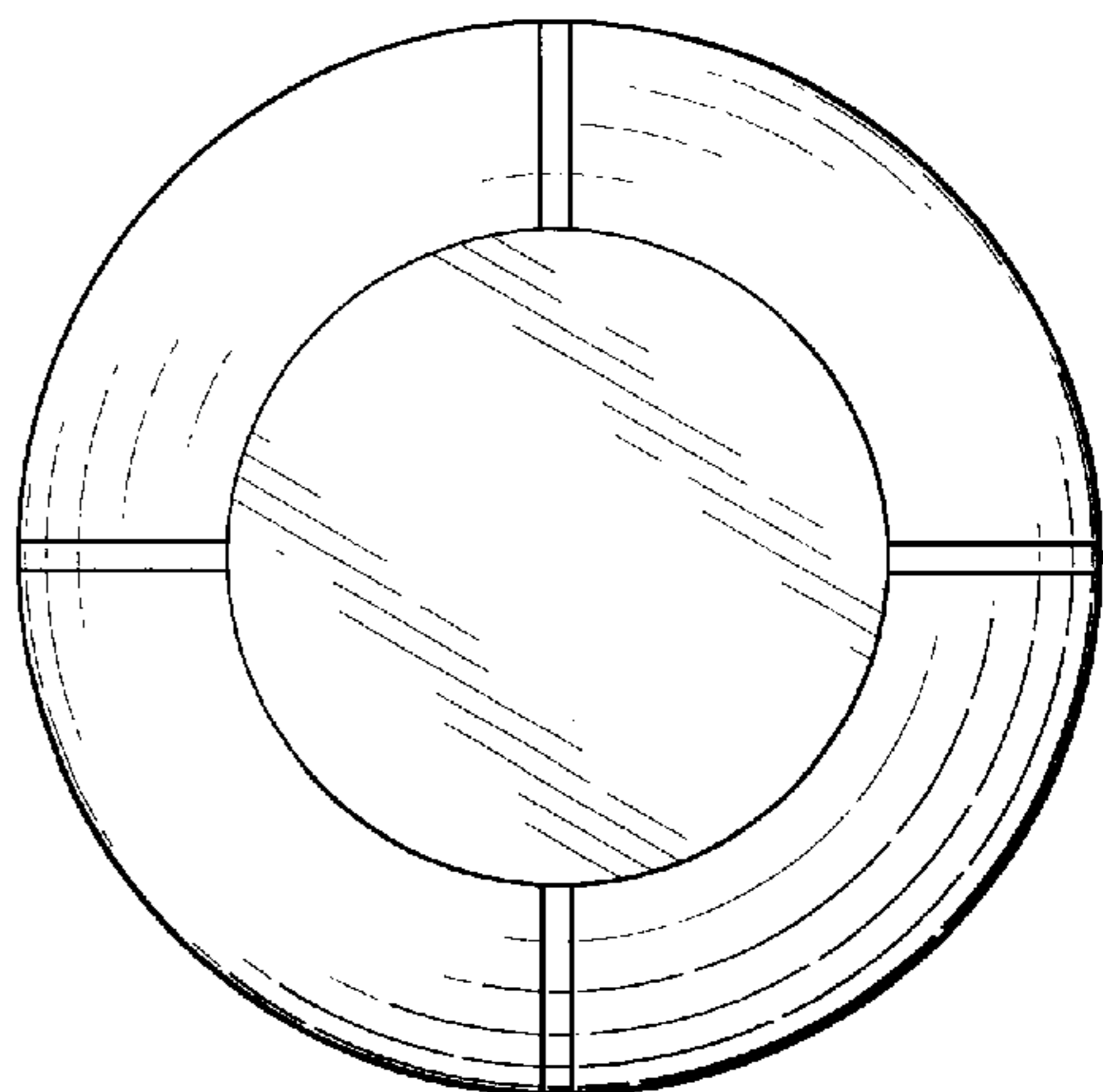
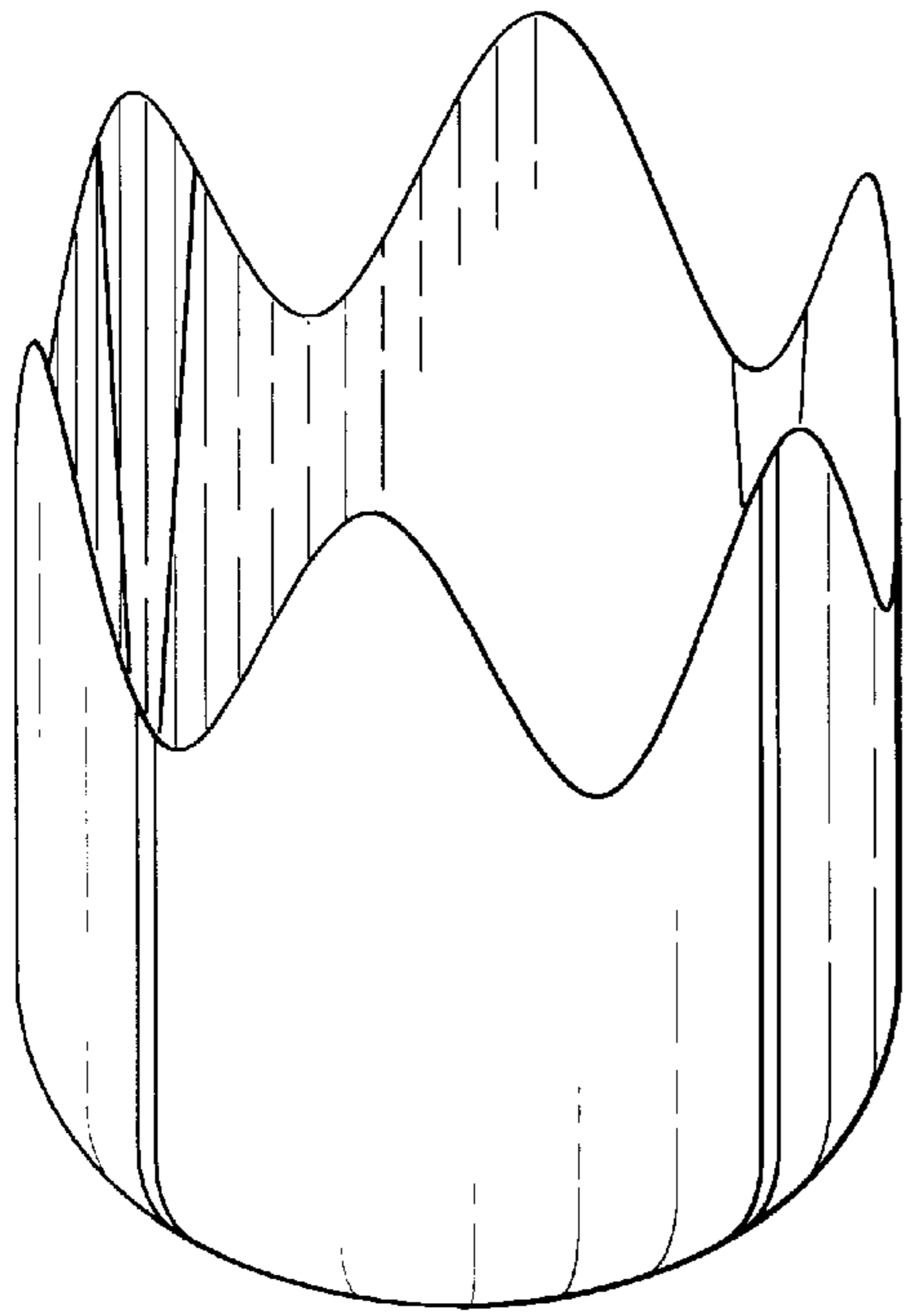
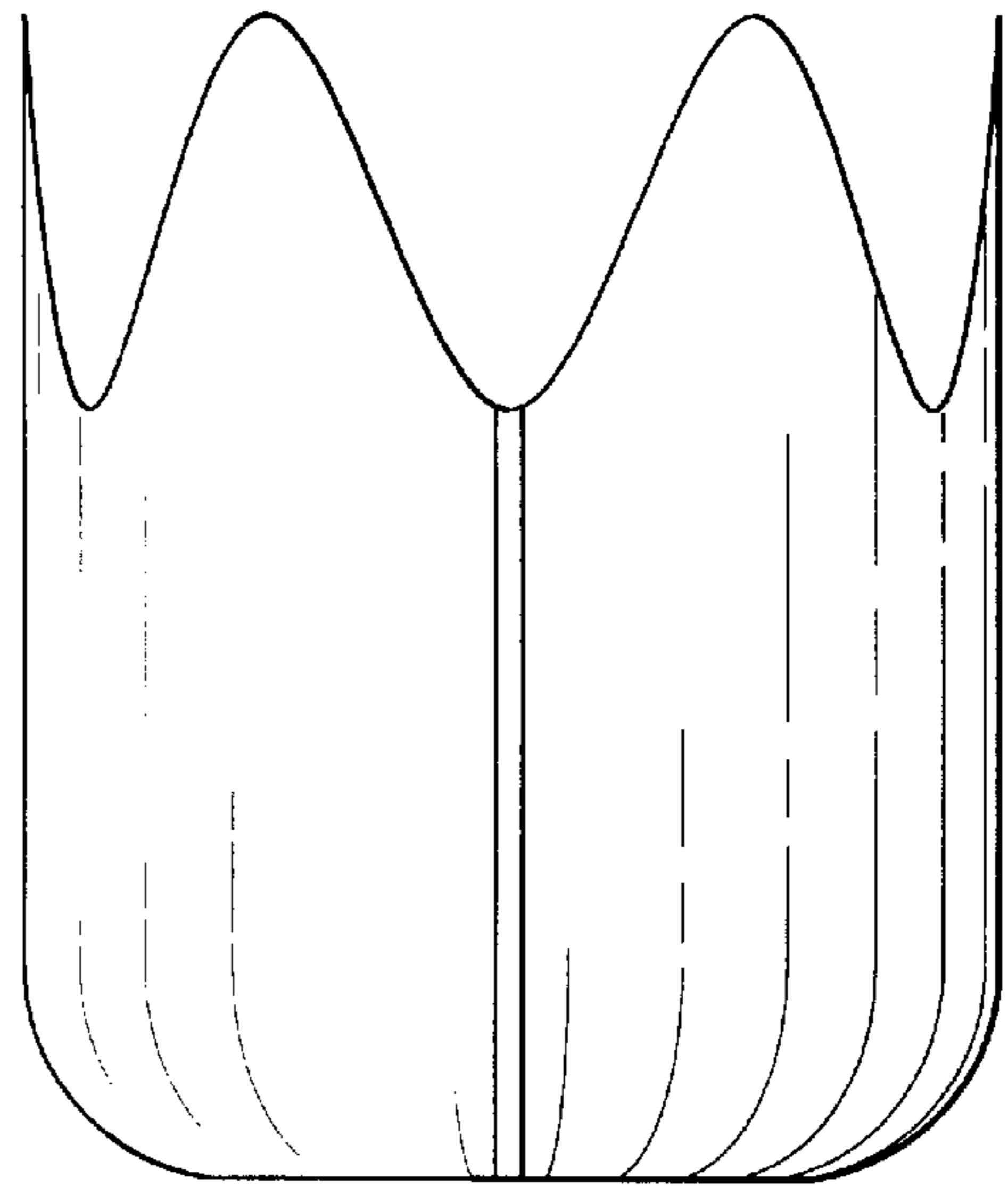


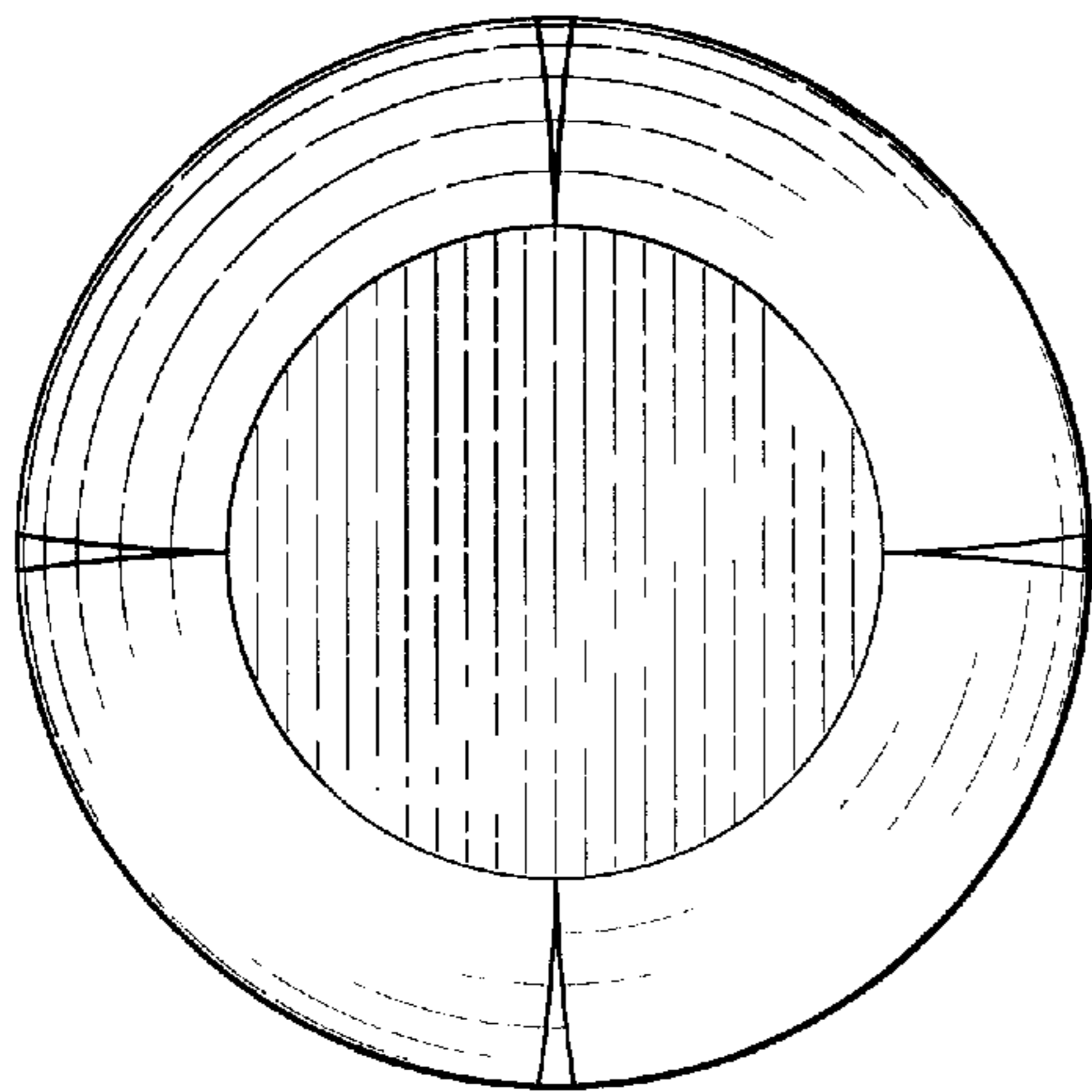
FIG. 12



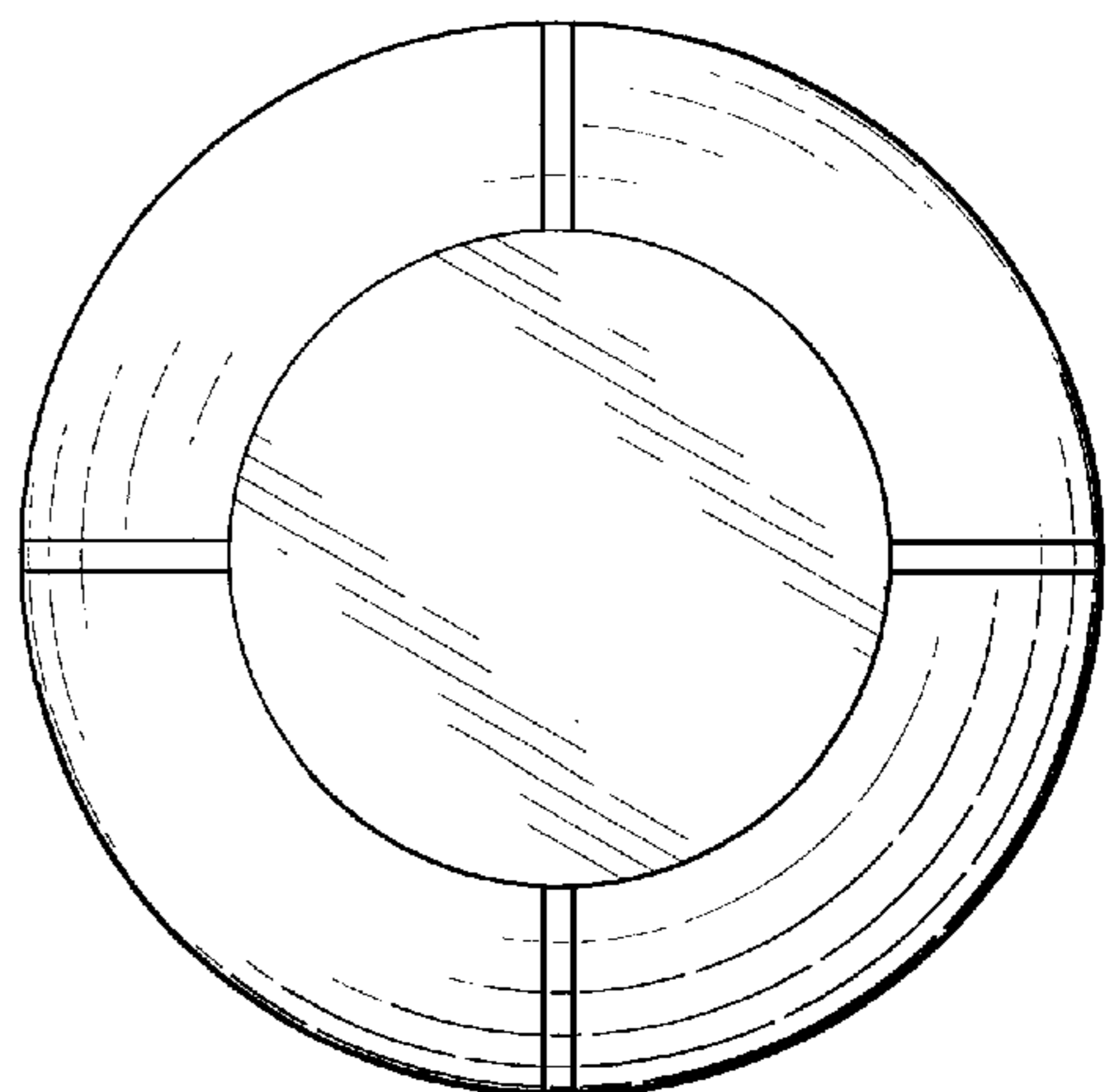
**FIG. 13**



**FIG. 14**



**FIG. 15**



**FIG. 16**

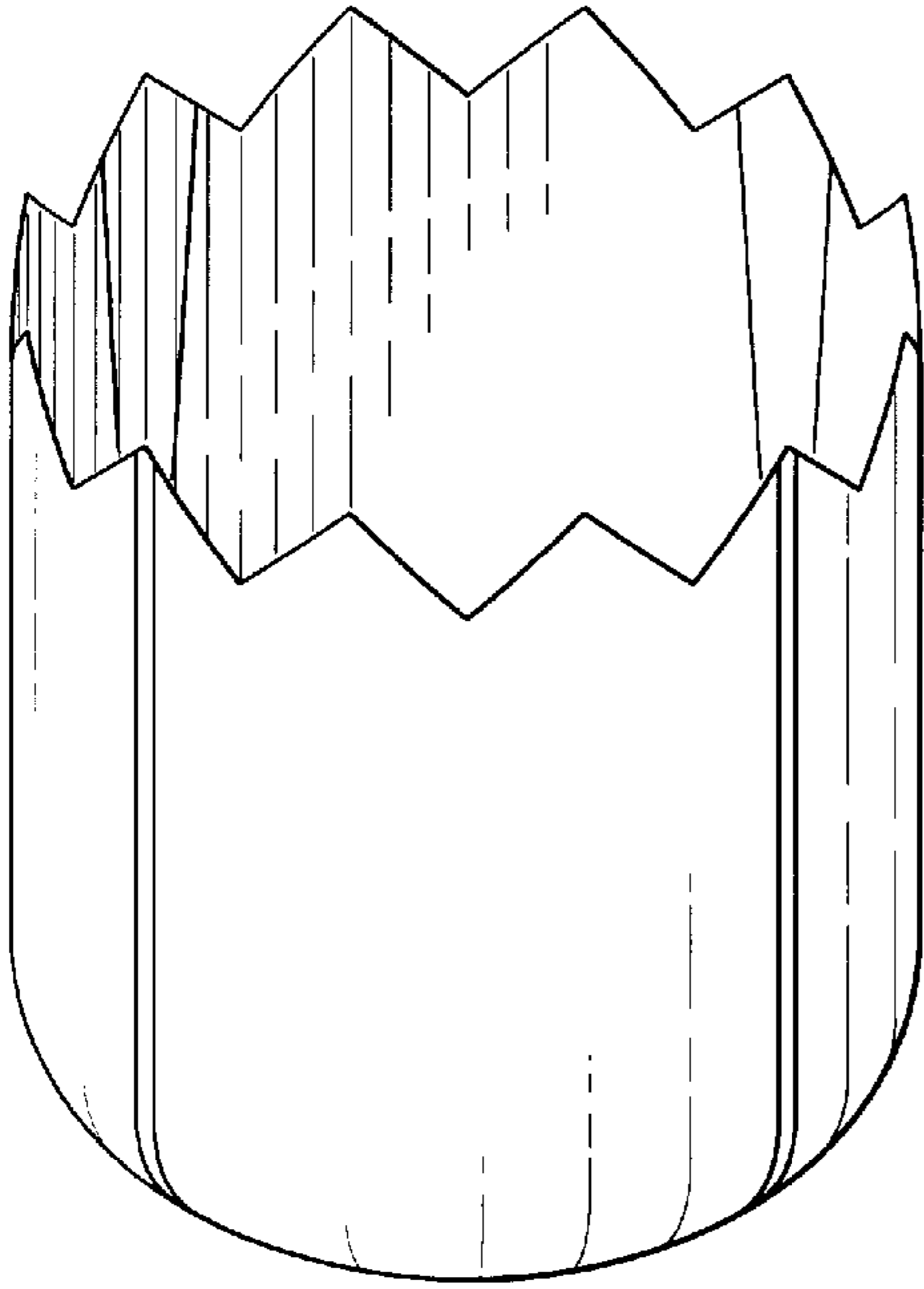


FIG. 17

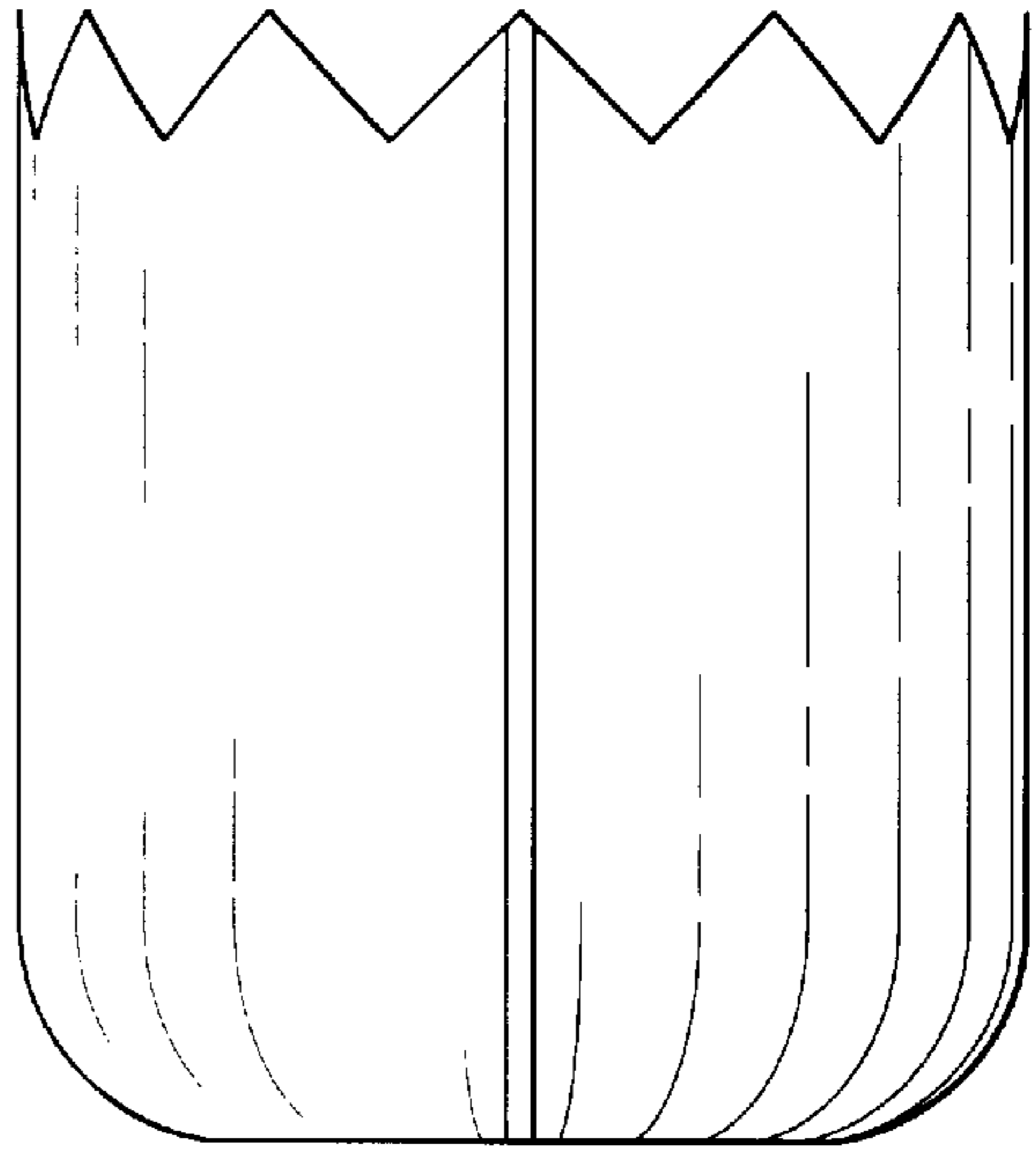


FIG. 18

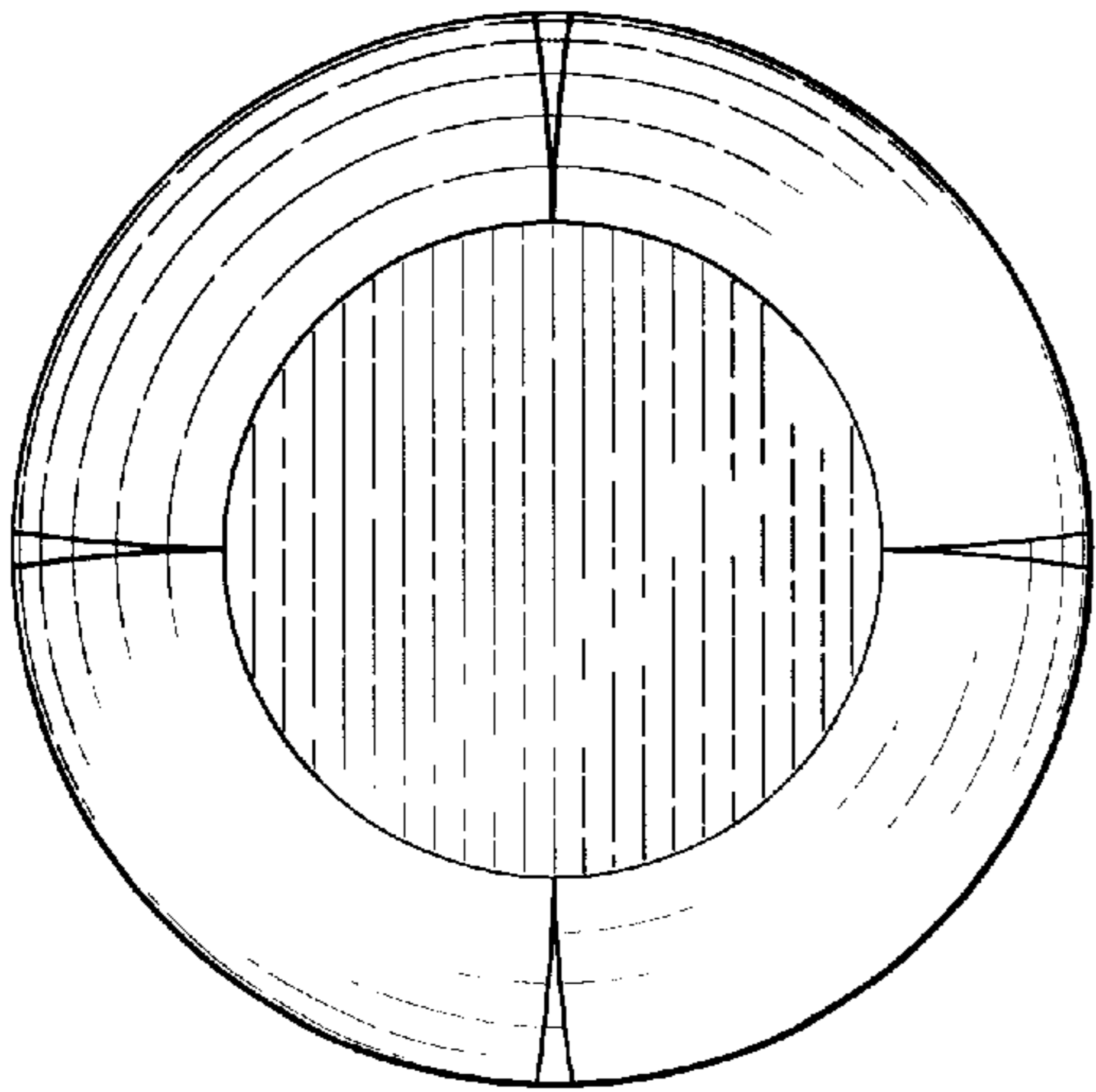


FIG. 19

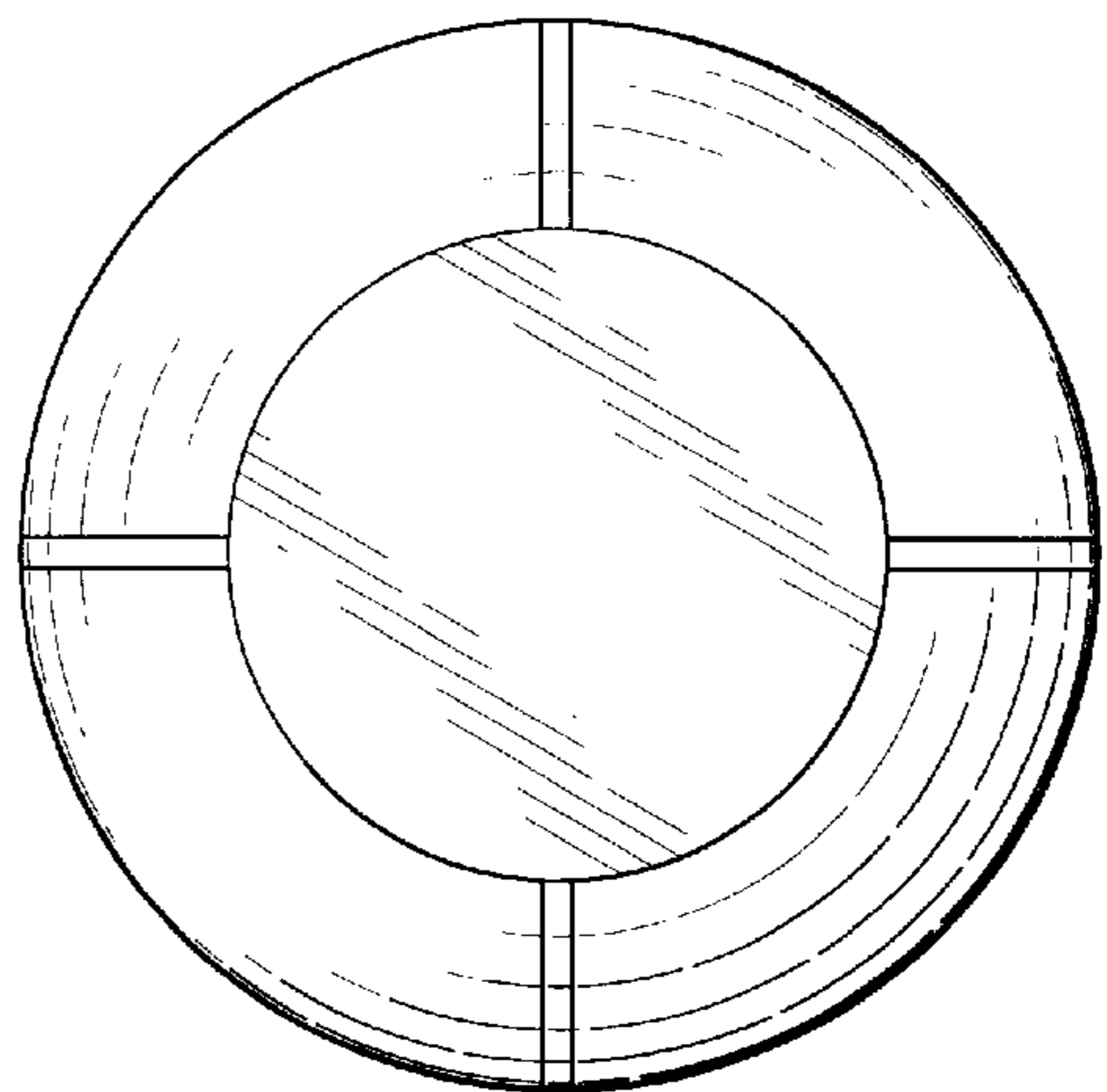


FIG. 20

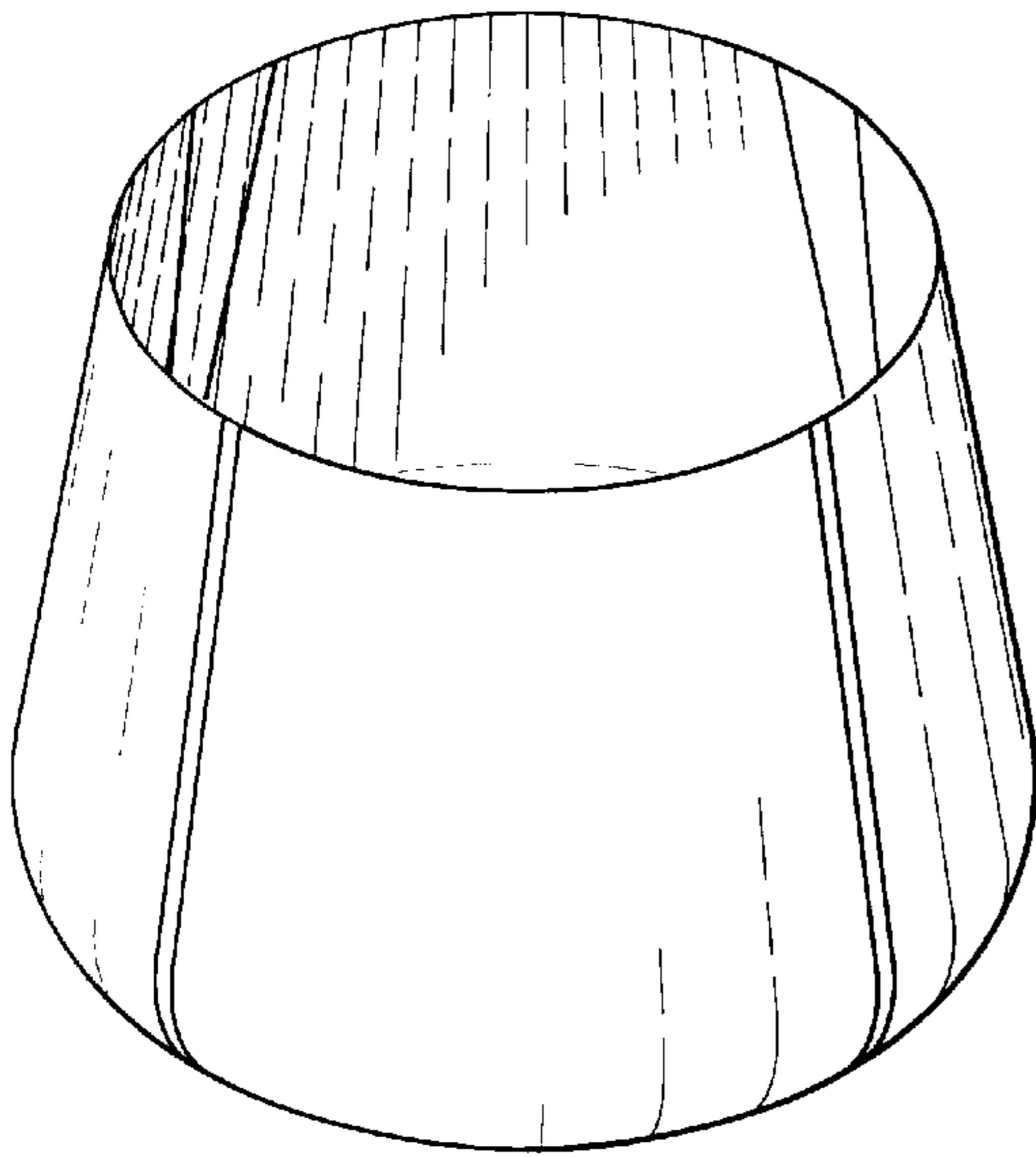


FIG. 1

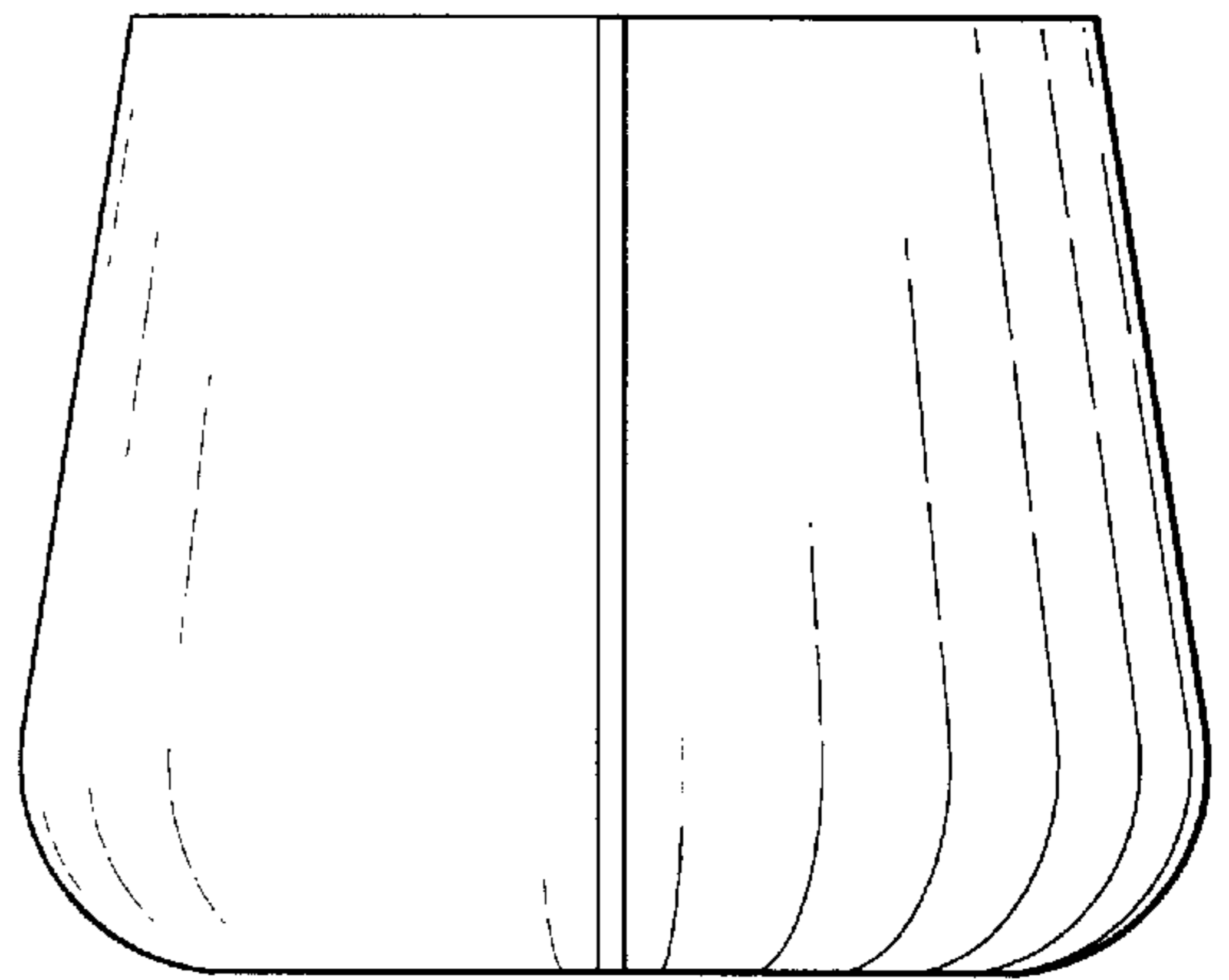


FIG. 2

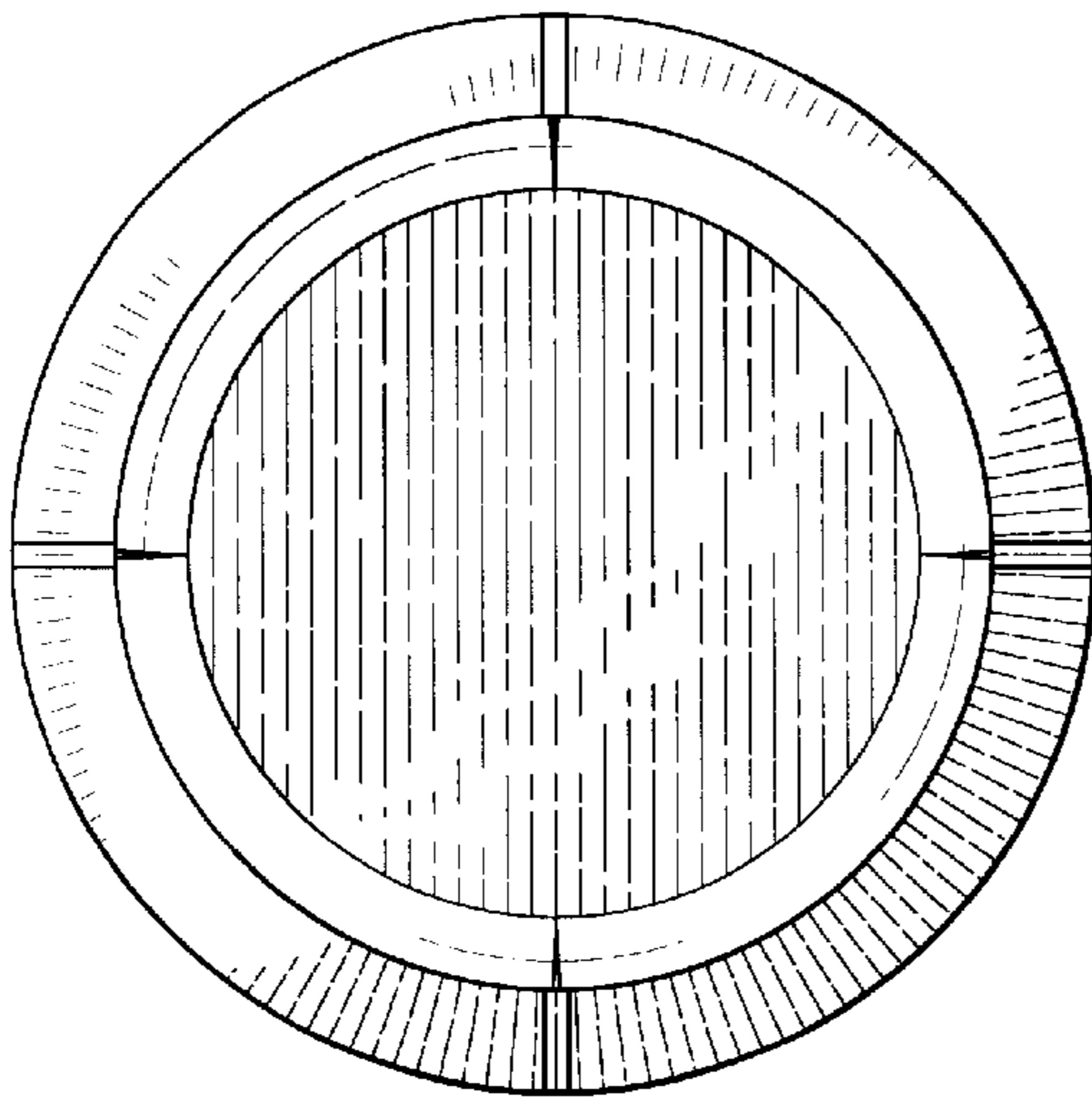


FIG. 3

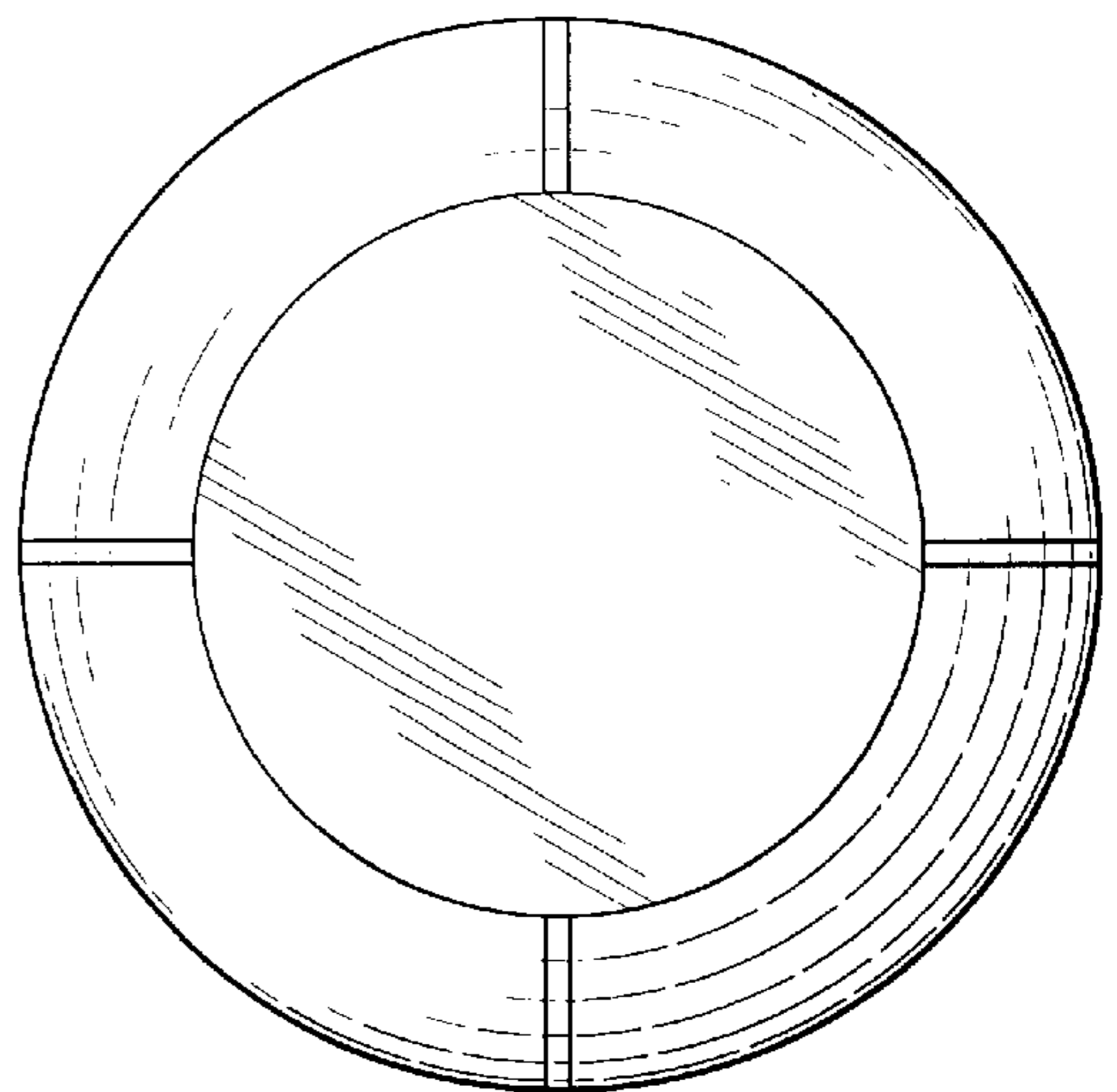


FIG. 4



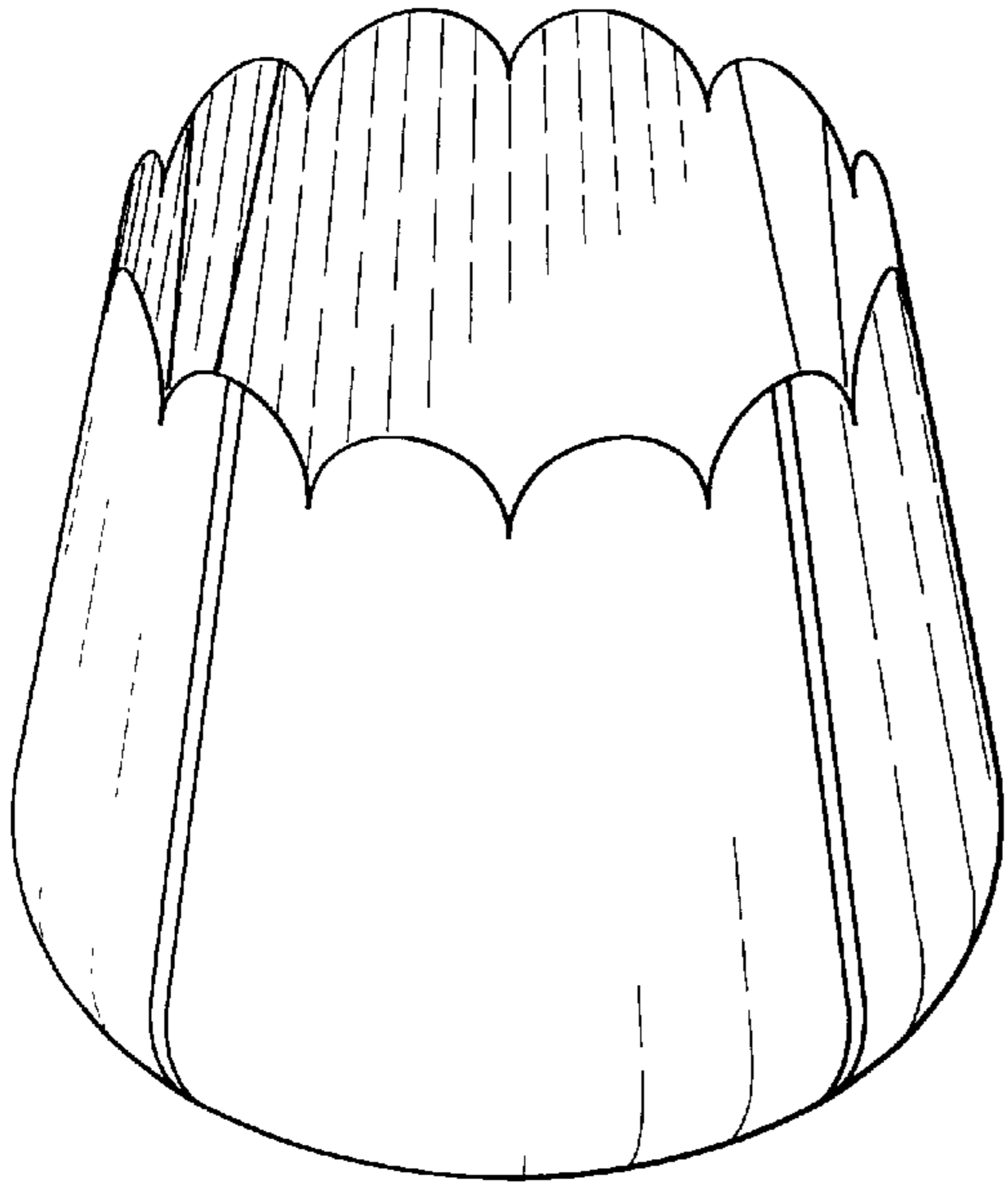


FIG. 25

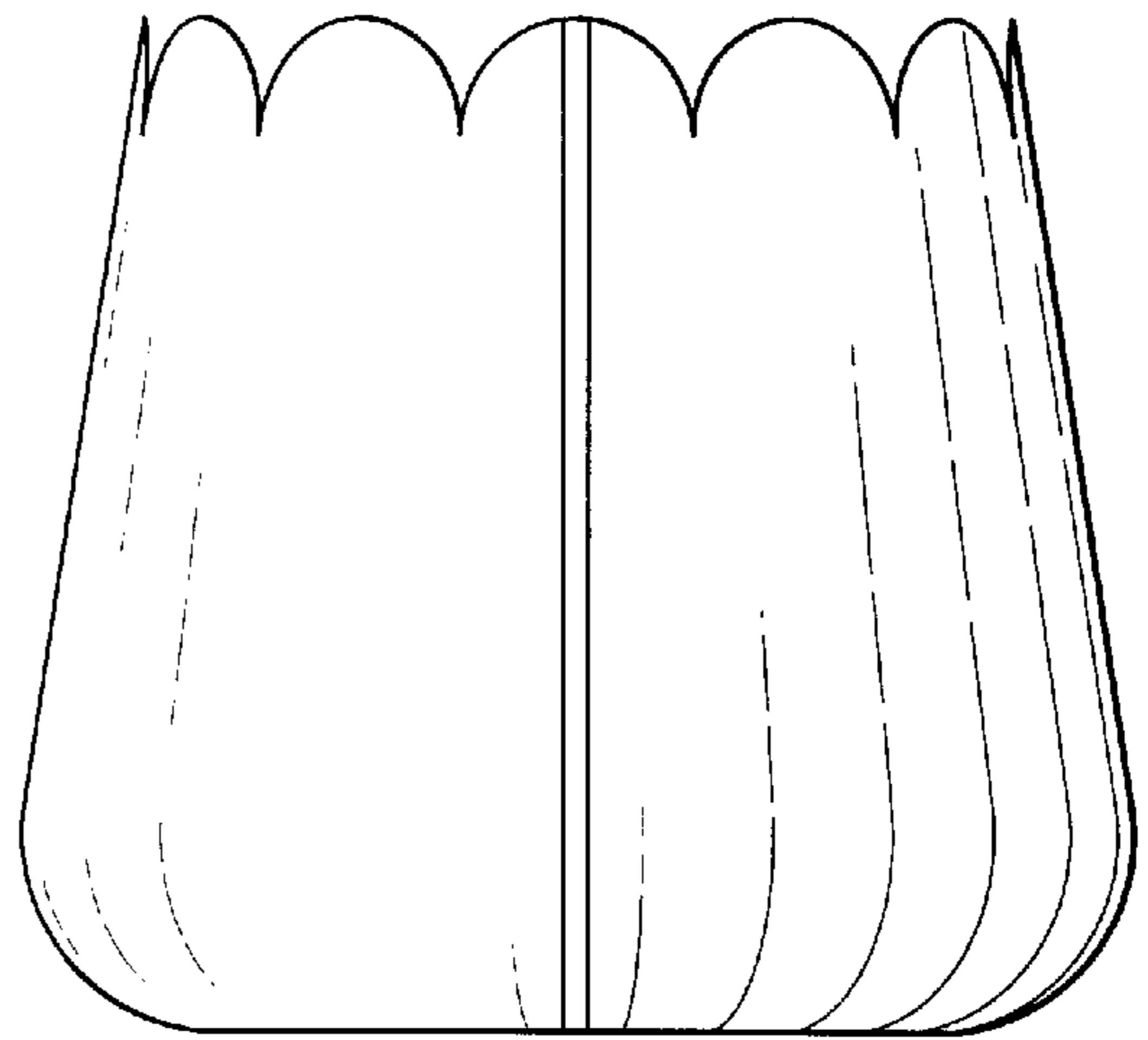


FIG. 26

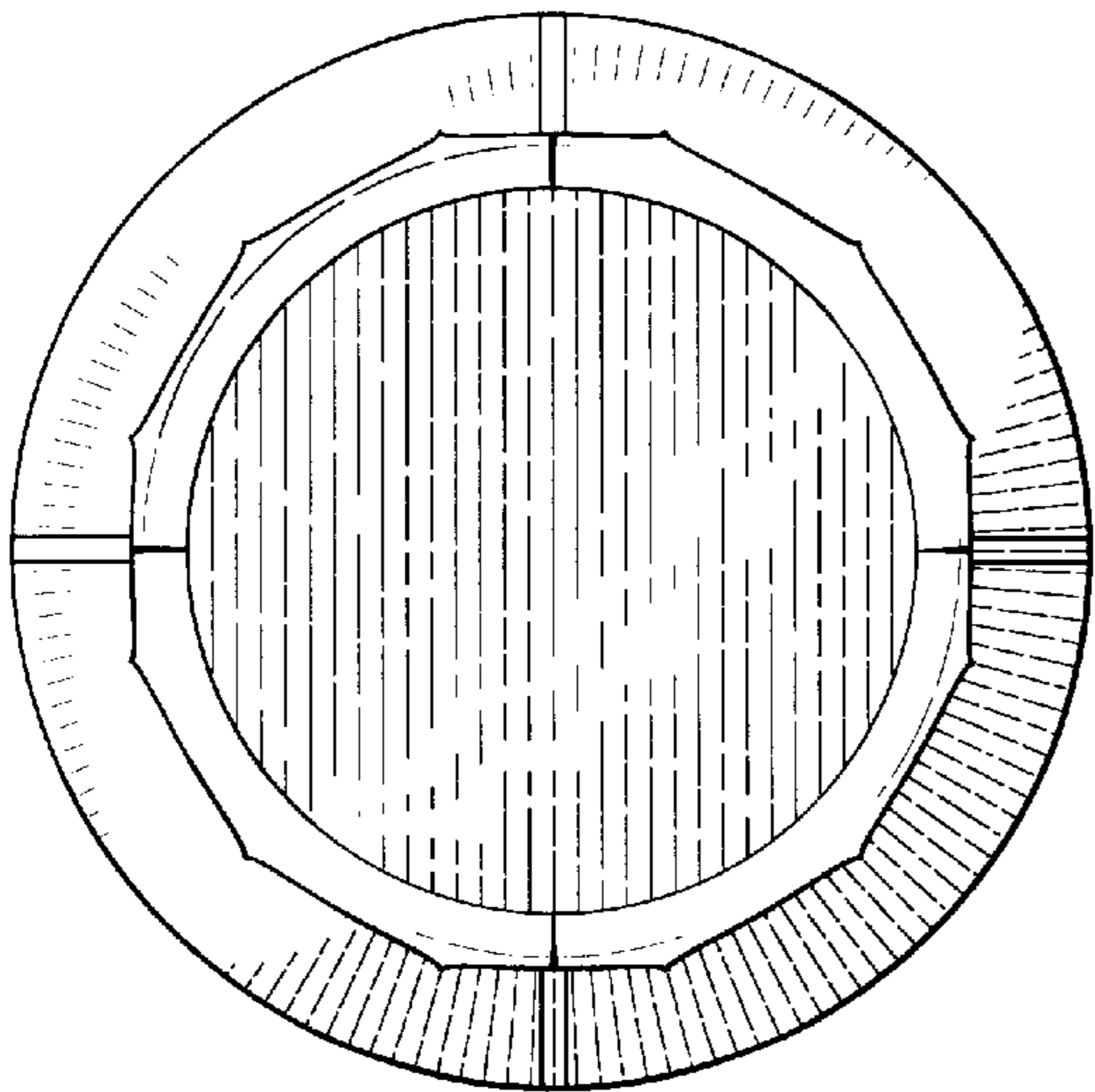


FIG. 27

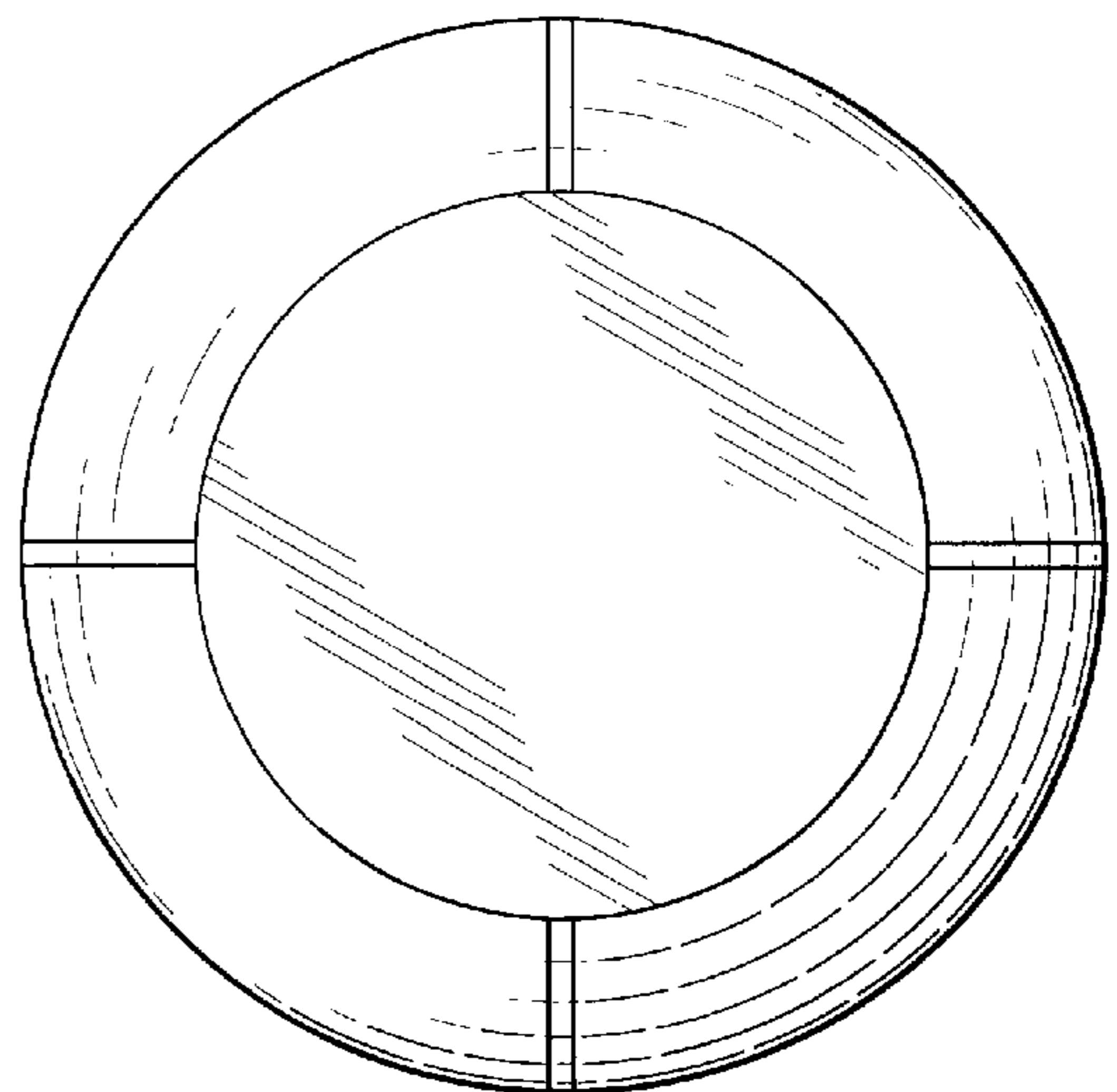


FIG. 28

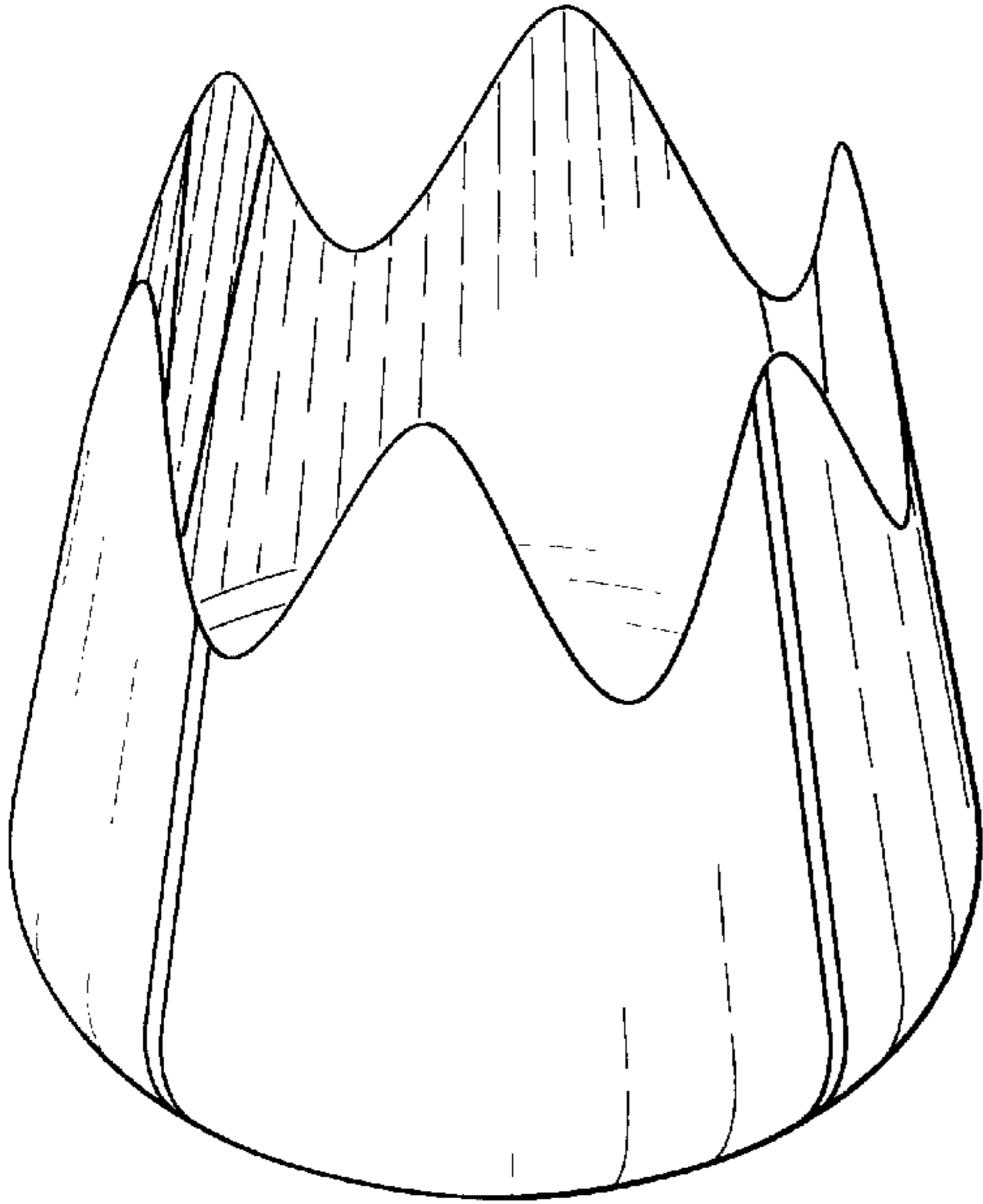


FIG. 29

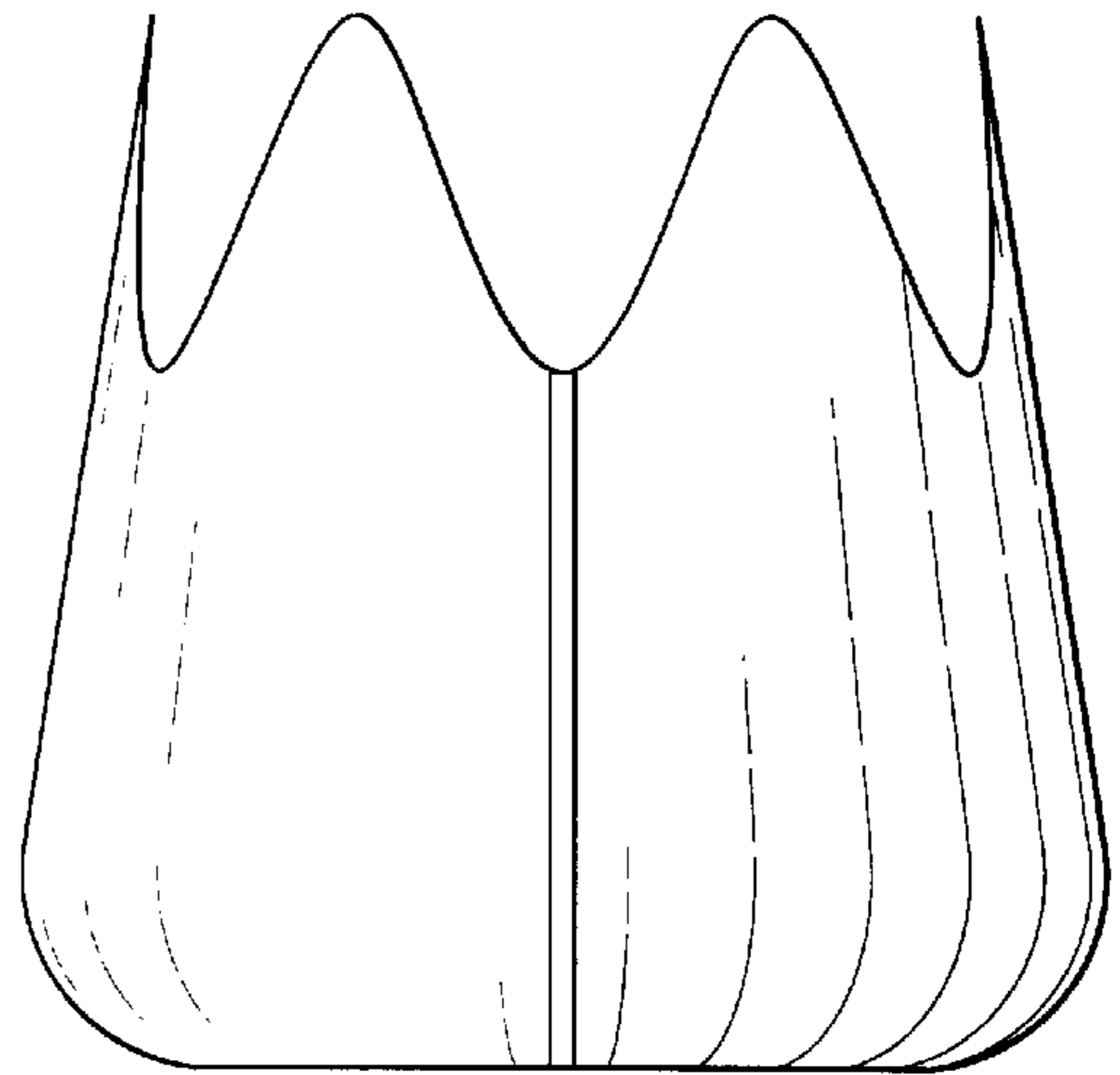


FIG. 30

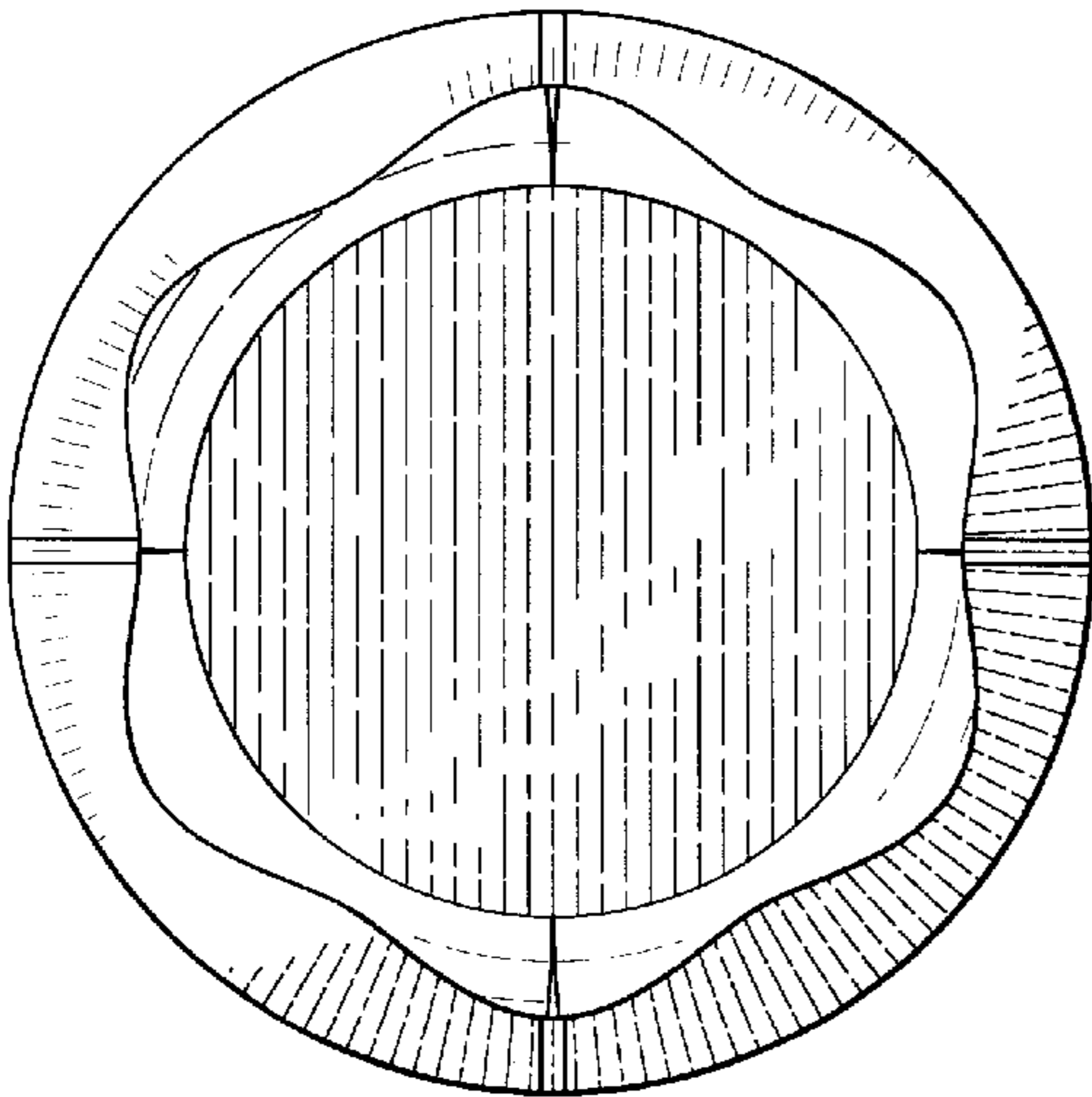


FIG. 31

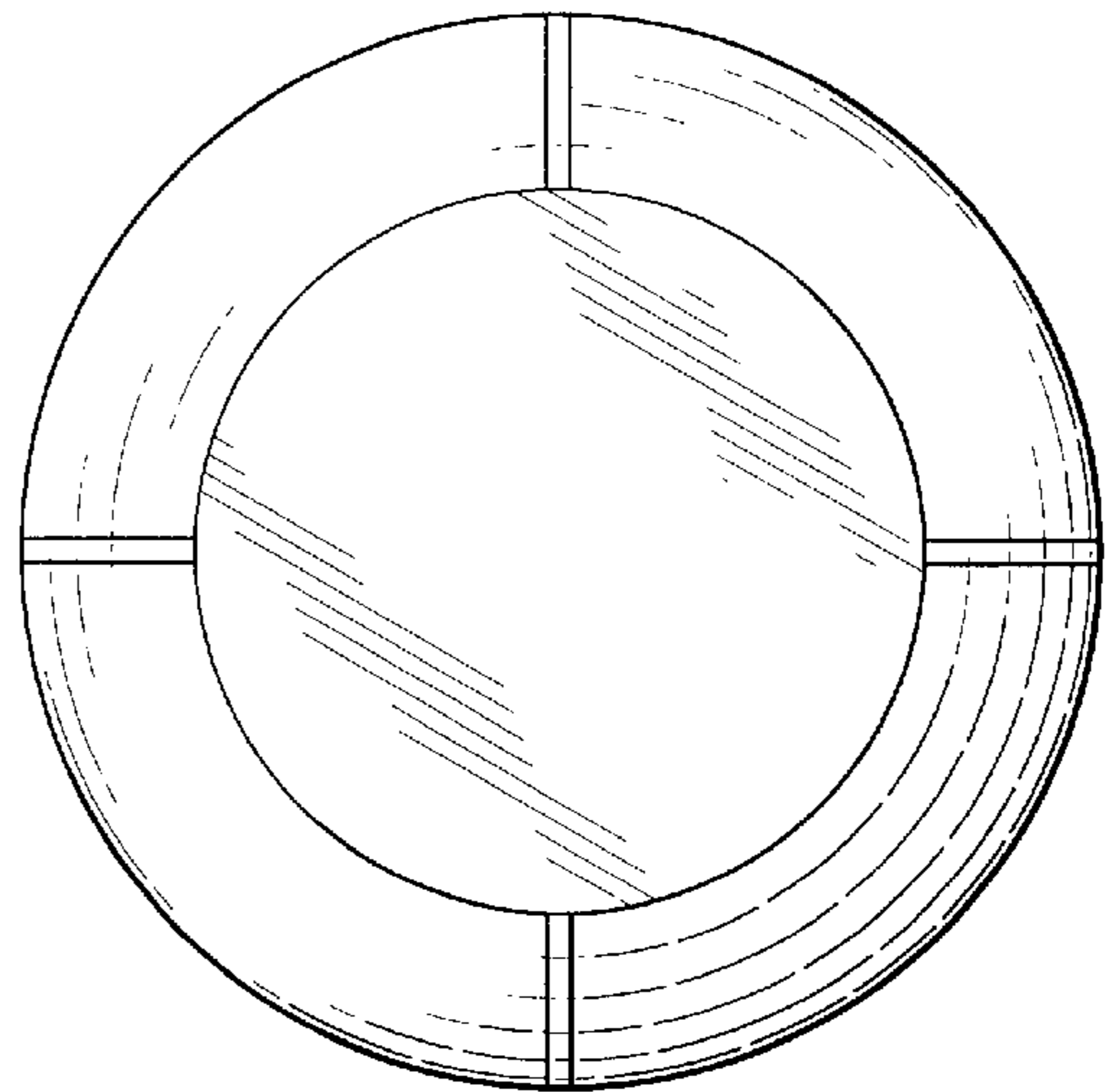
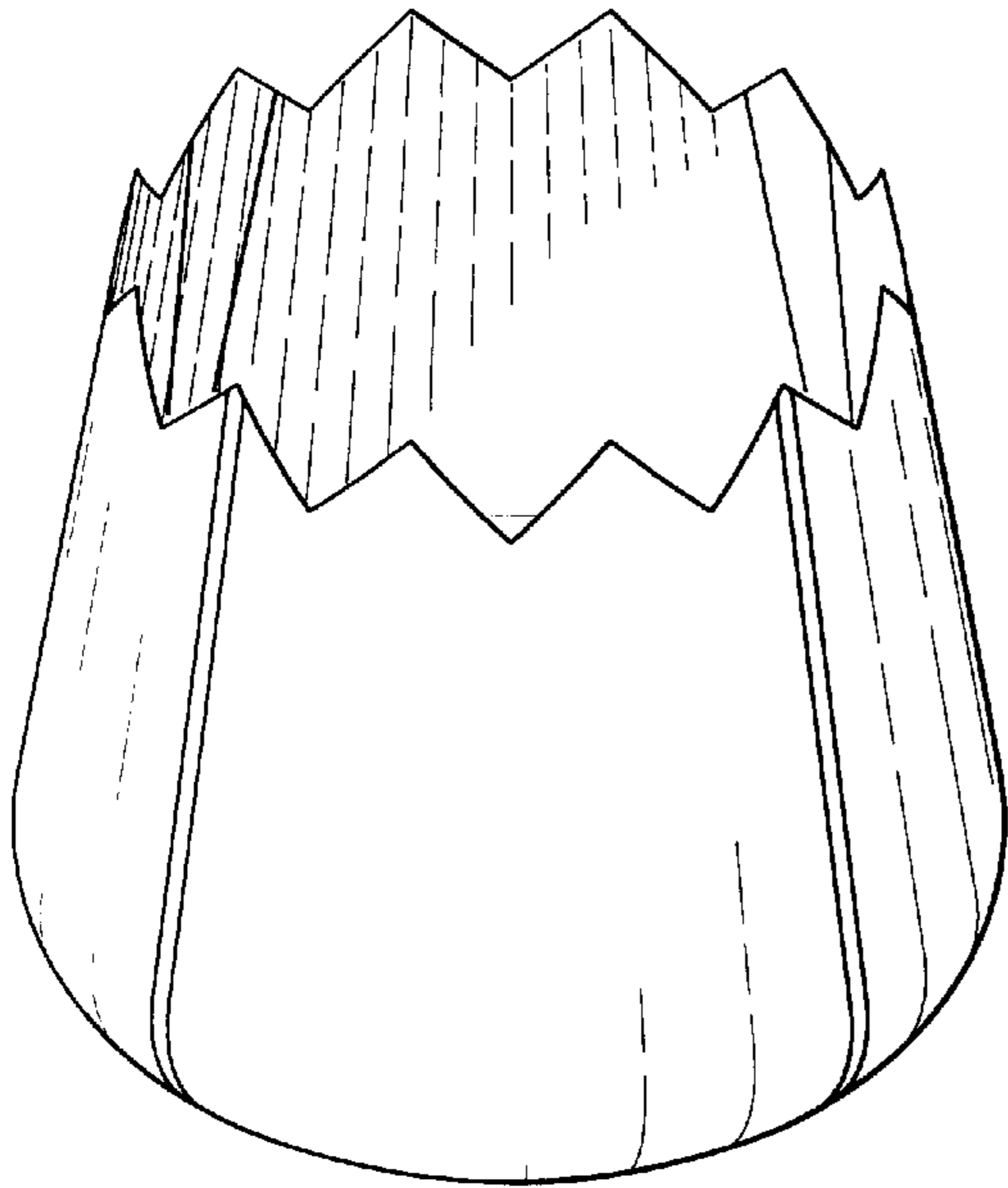
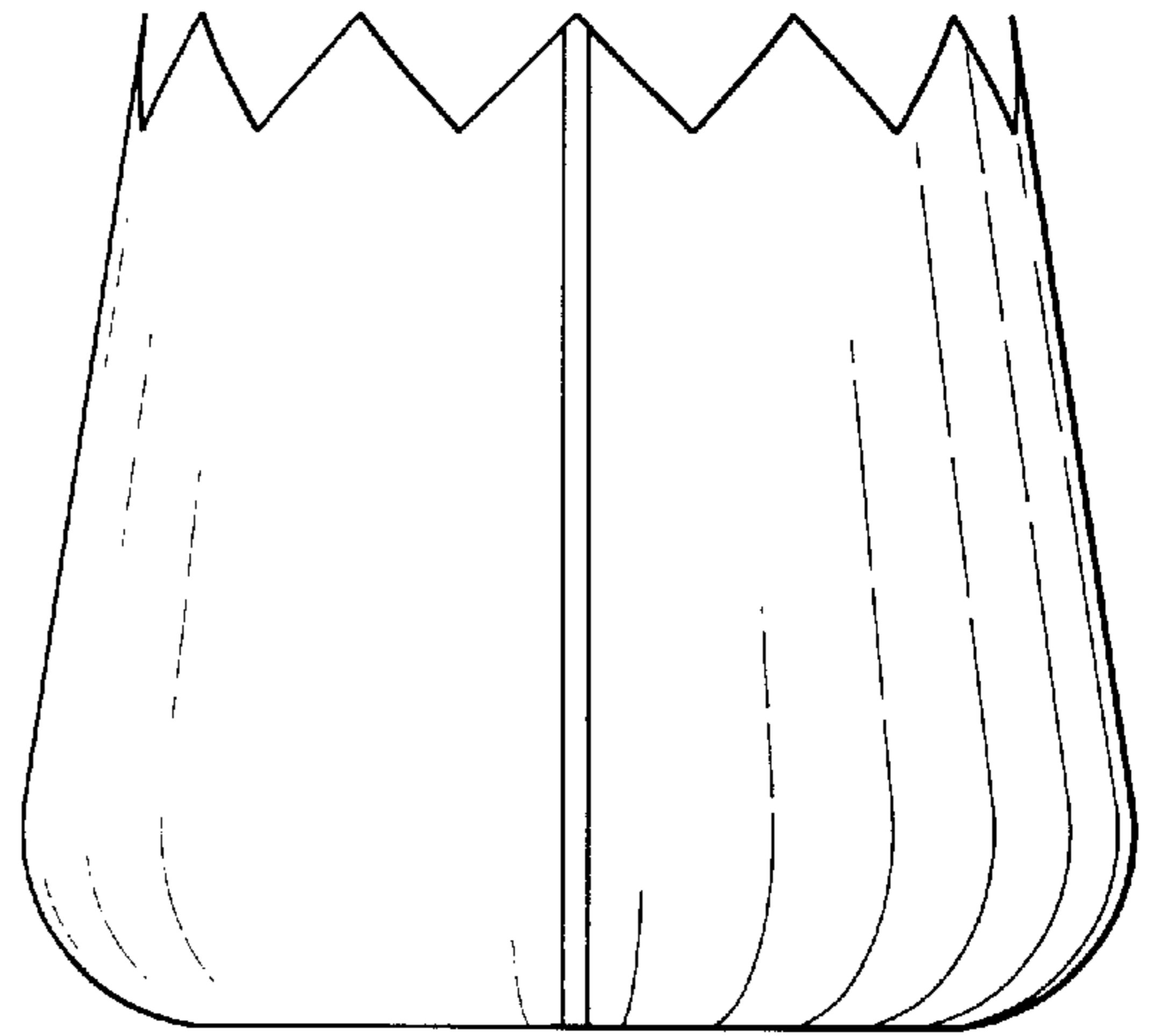


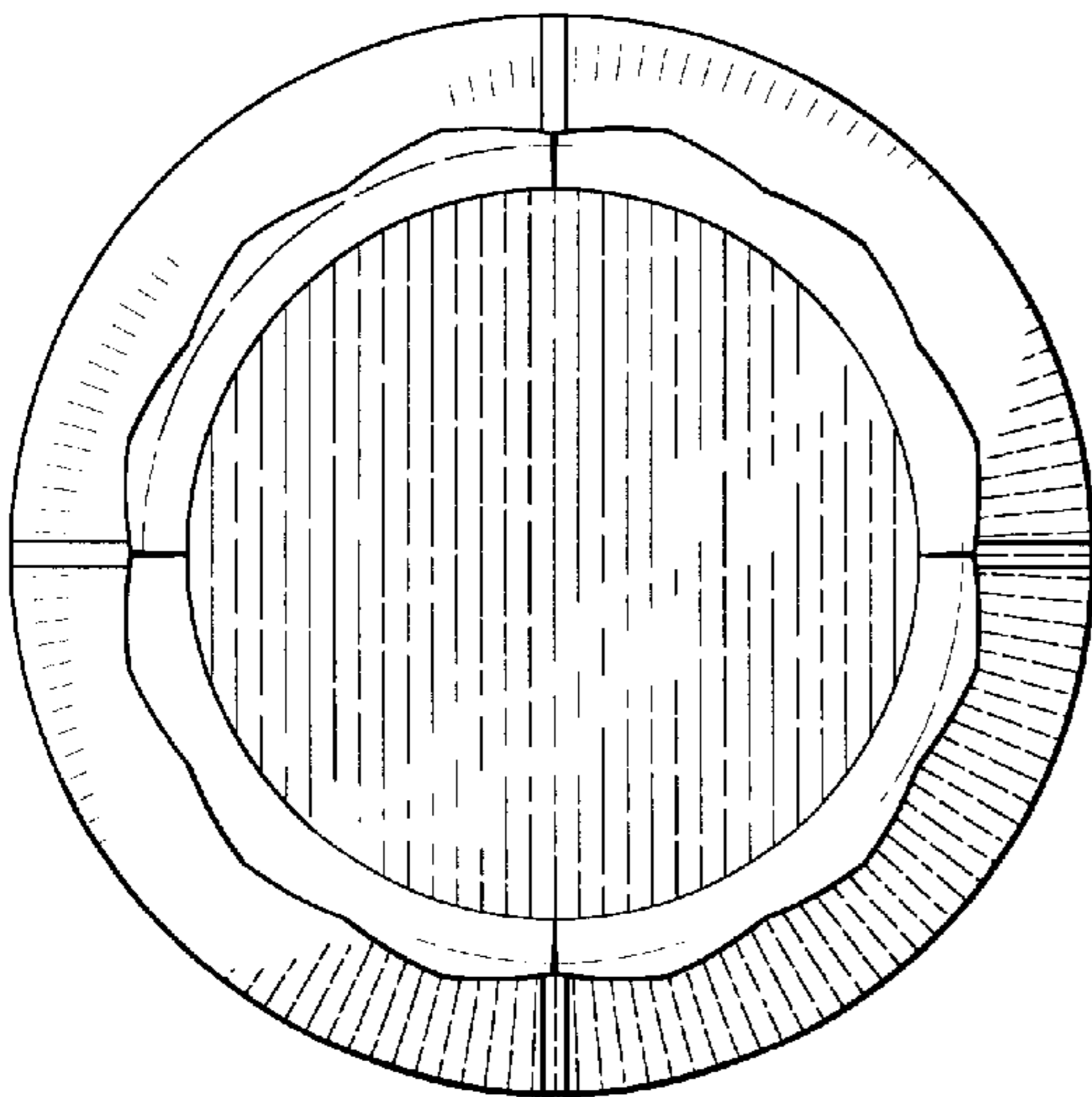
FIG. 32



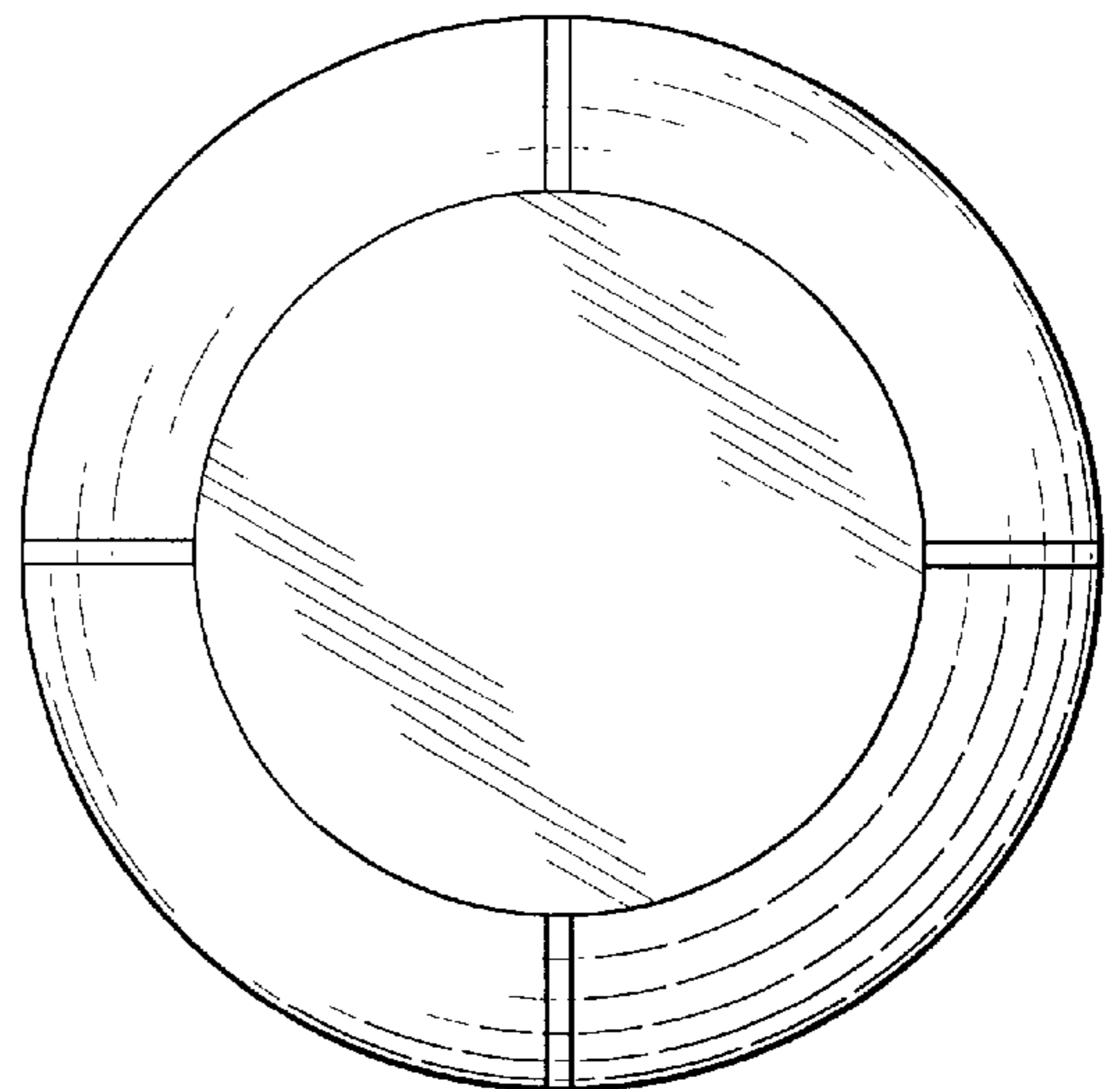
**FIG. 33**



**FIG. 34**



**FIG. 35**



**FIG. 36**

UNITED STATES PATENT AND TRADEMARK OFFICE  
**CERTIFICATE OF CORRECTION**

PATENT NO. : Des. 402,915  
DATED : December 22, 1998  
INVENTOR(S) : Donald E. Weder et al.

It is certified that error appears in the above-identified patent and that said Letters Patent is hereby corrected as shown below:

On the title page, under [\*] Notice, line 4, please delete "D. 383,081", and substitute therefor --D. 383,088--.

Cover Sheet, under Related U.S. Application Data, [62], line 10, please delete "which is a continuation-in-part of", and substitute therefor --said--.

Cover Sheet, under Related U.S. Application Data, [62], line 11, please delete "which".

Signed and Sealed this  
Twentieth Day of April, 1999

Attest:



Q. TODD DICKINSON

Attesting Officer

Acting Commissioner of Patents and Trademarks