

US00D402905S

United States Patent [19]

Kanza et al.

[11] Patent Number: **Des. 402,905**

[45] Date of Patent: ****Dec. 22, 1998**

[54] **ELECTRONIC CLINICAL THERMOMETER**

[75] Inventors: **Akinobu Kanza; Yoko Sugimoto**, both of Hyogo; **Hisayoshi Matoba**, Nara, all of Japan

[73] Assignee: **Matsushita Electric Industrial Co., Ltd.**, Japan

[**] Term: **14 Years**

[21] Appl. No.: **84,001**

[22] Filed: **Feb. 23, 1998**

[30] **Foreign Application Priority Data**

Aug. 27, 1997 [JP] Japan 9-66053

[51] **LOC (6) Cl.** **10-04**

[52] **U.S. Cl.** **D10/57**

[58] **Field of Search** D10/57; 374/130-132, 374/158, 170, 208; 600/474

[56] **References Cited**

U.S. PATENT DOCUMENTS

D. 388,343 12/1997 Yamauchi et al. D10/57
5,167,235 12/1992 Seacord et al. 374/131

5,487,607 1/1996 Makita et al. 374/158
5,609,564 3/1997 Makita et al. 374/158 X
5,626,139 5/1997 Szeles et al. 374/131 X

OTHER PUBLICATIONS

Catalogue of Omron's MC-505 issued in 1997.
Catalogue of Braun's IRT1020 issued in Feb. 1997.

Primary Examiner—Antoine Duval Davis
Attorney, Agent, or Firm—Saidman DesignLaw Group

[57] **CLAIM**

The ornamental design for an electronic clinical thermometer, as shown and described.

DESCRIPTION

FIG. 1 is a perspective view of the top, front and right side of an electronic clinical thermometer showing our new design;
FIG. 2 is a front view thereof;
FIG. 3 is a right side view thereof;
FIG. 4 is a rear view thereof;
FIG. 5 is a top plan view thereof; and,
FIG. 6 is a bottom view thereof.

1 Claim, 1 Drawing Sheet

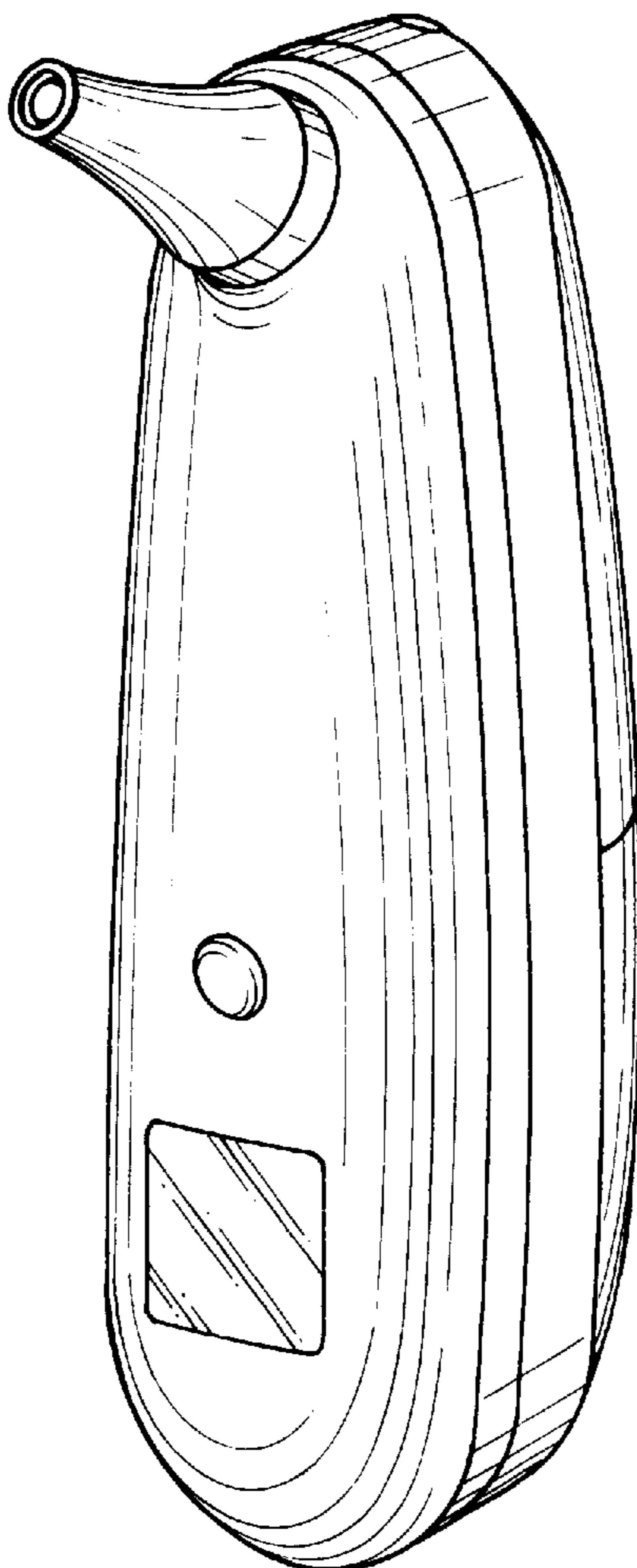


FIG. 1

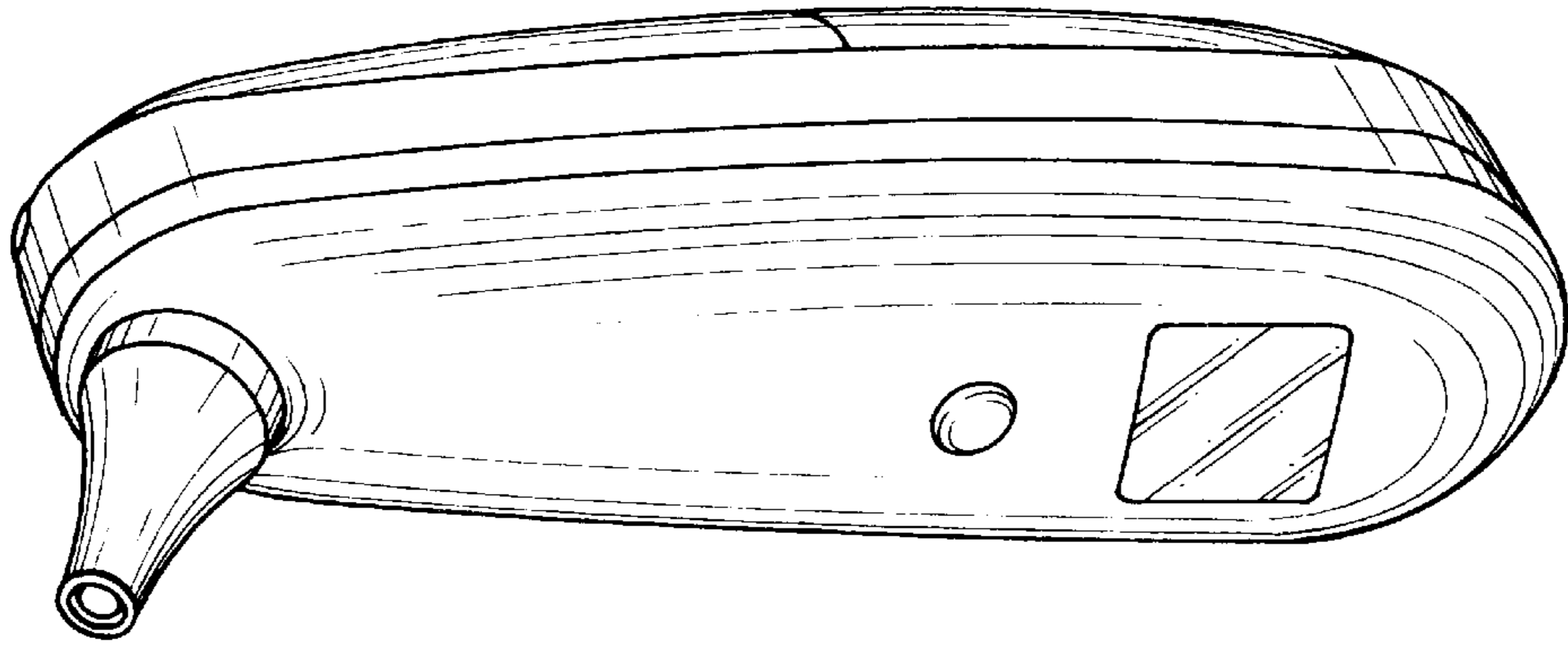


FIG. 2

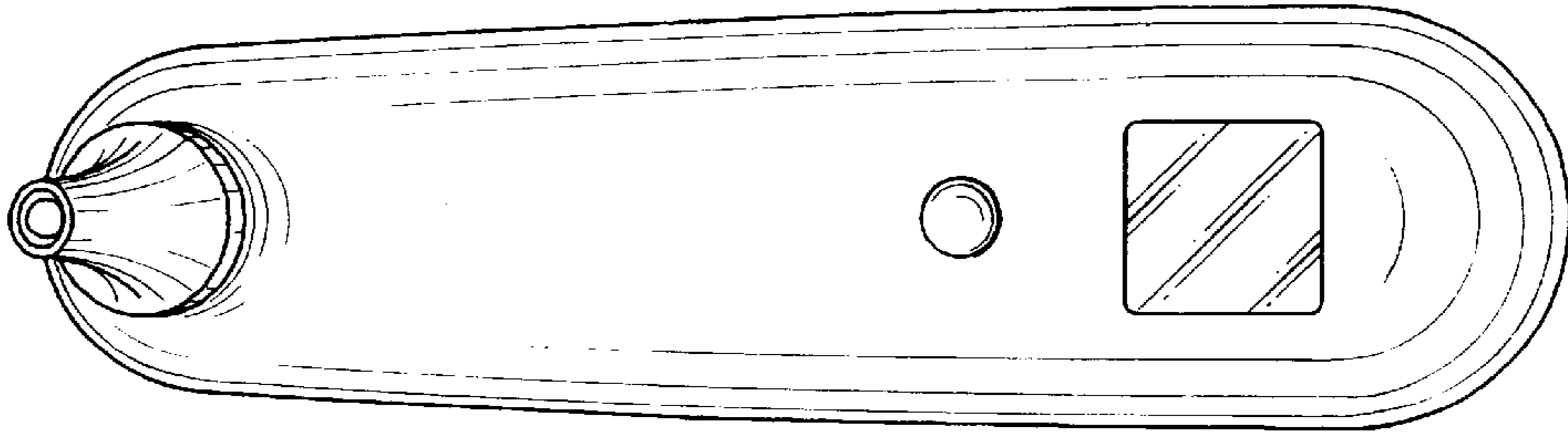


FIG. 3

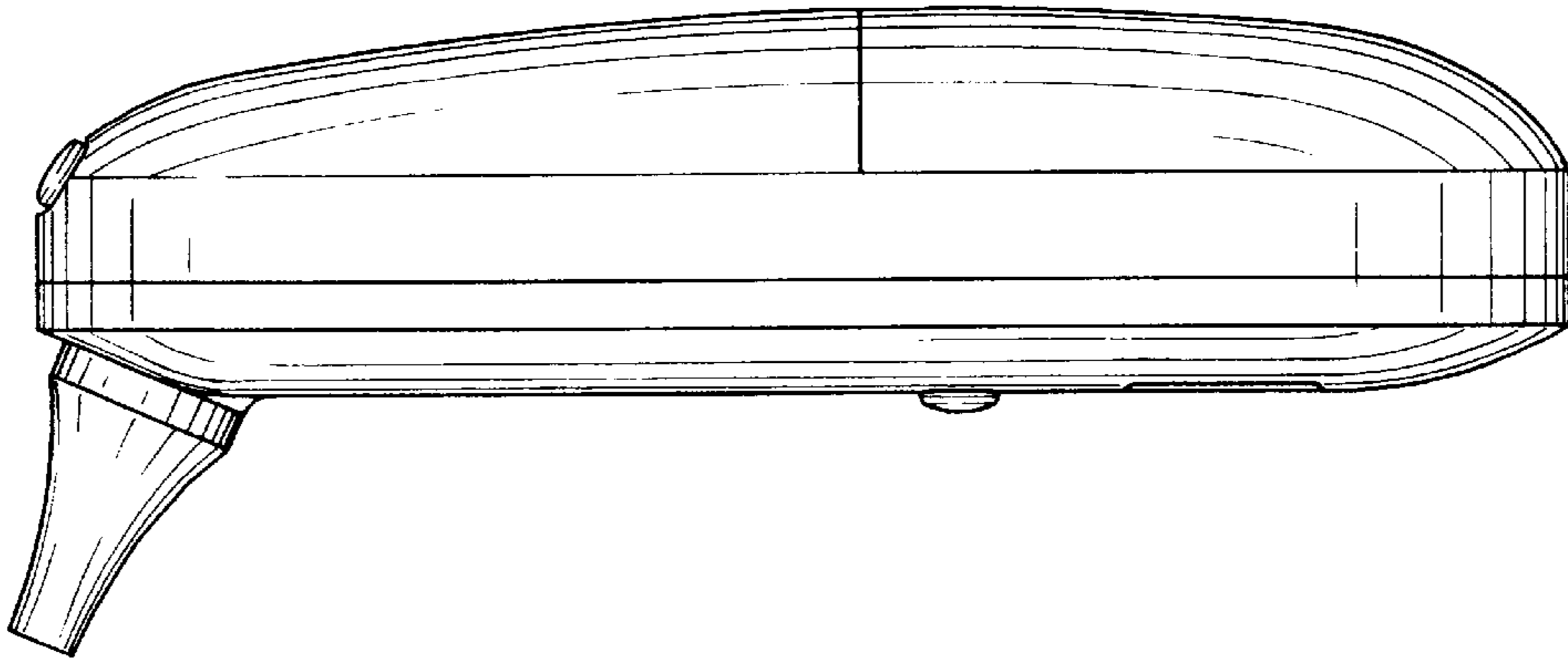


FIG. 4

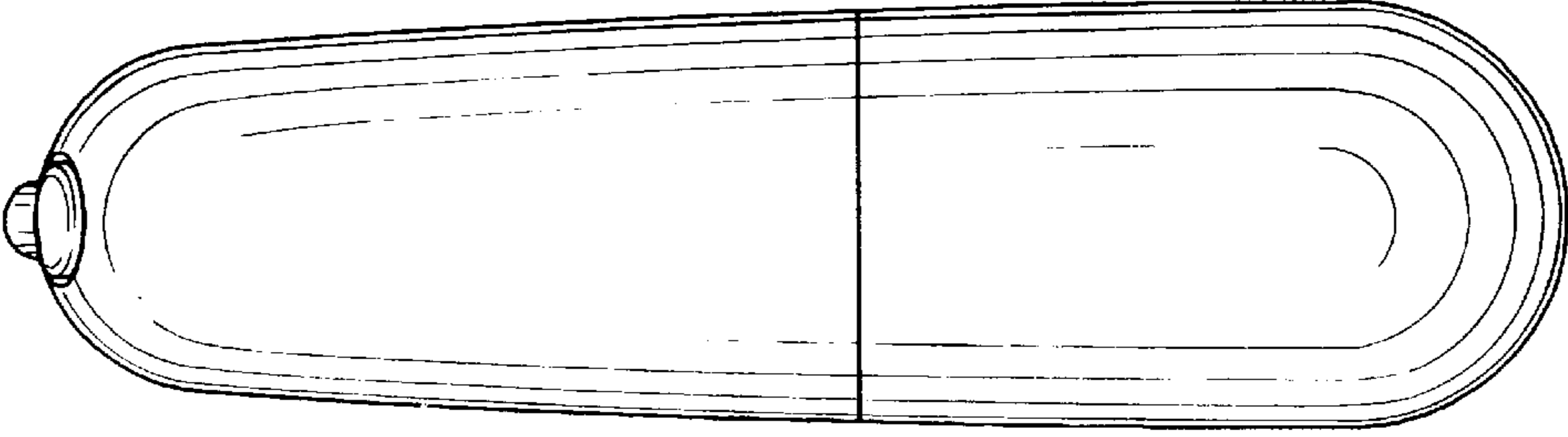


FIG. 5

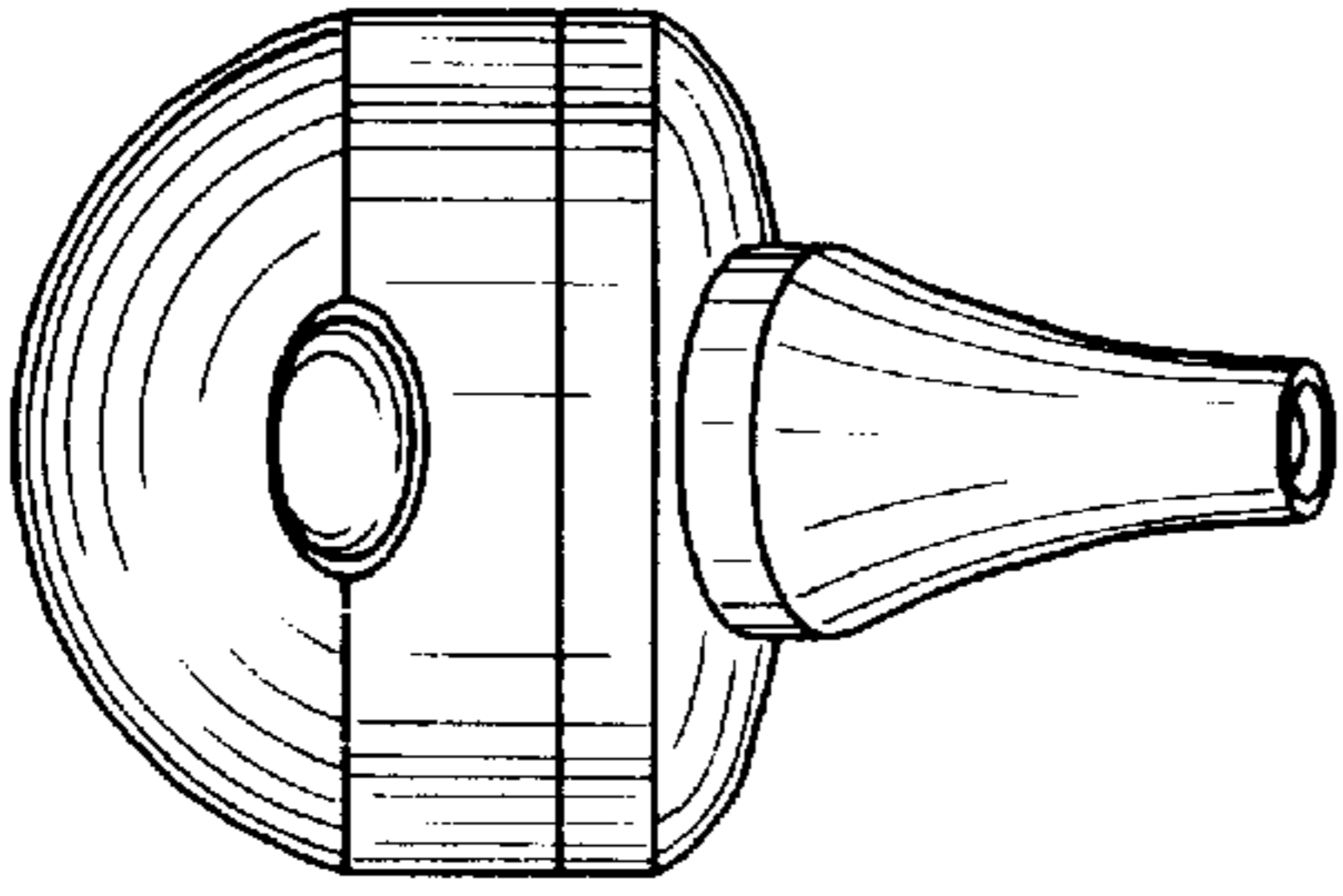


FIG. 6

