



US00D402903S

United States Patent [19] Chen

[11] **Patent Number: Des. 402,903**

[45] **Date of Patent: **Dec. 22, 1998**

[54] **TIMER**

[75] **Inventor: Chan-Fu Chen, Taipei Hsien, Taiwan**

[73] **Assignee: Mingjong Electric Industry Co., Ltd., Taiwan**

[**] **Term: 14 Years**

[21] **Appl. No.: 79,741**

[22] **Filed: Nov. 26, 1997**

[51] **LOC (6) Cl. 10-03**

[52] **U.S. Cl. D10/40**

[58] **Field of Search** D10/1-40, 122-132, D10/75; 200/38 R; 307/140 R, 141 R, 141.4; 368/97-100, 107-109, 121, 246

[56] **References Cited**

U.S. PATENT DOCUMENTS

- D. 219,920 2/1971 Volland .
- D. 265,553 7/1982 Joss et al. D10/40

- D. 296,878 7/1988 Rakocy D10/40
- D. 325,175 4/1992 Tinz D10/40
- D. 352,472 11/1994 Chen D10/40
- D. 380,396 7/1997 Svarnias D10/40
- 3,522,393 7/1970 Banathy .
- 5,258,656 11/1993 Pawlick 307/141

Primary Examiner—Nelson C. Holtje
Attorney, Agent, or Firm—Bacon & Thomas

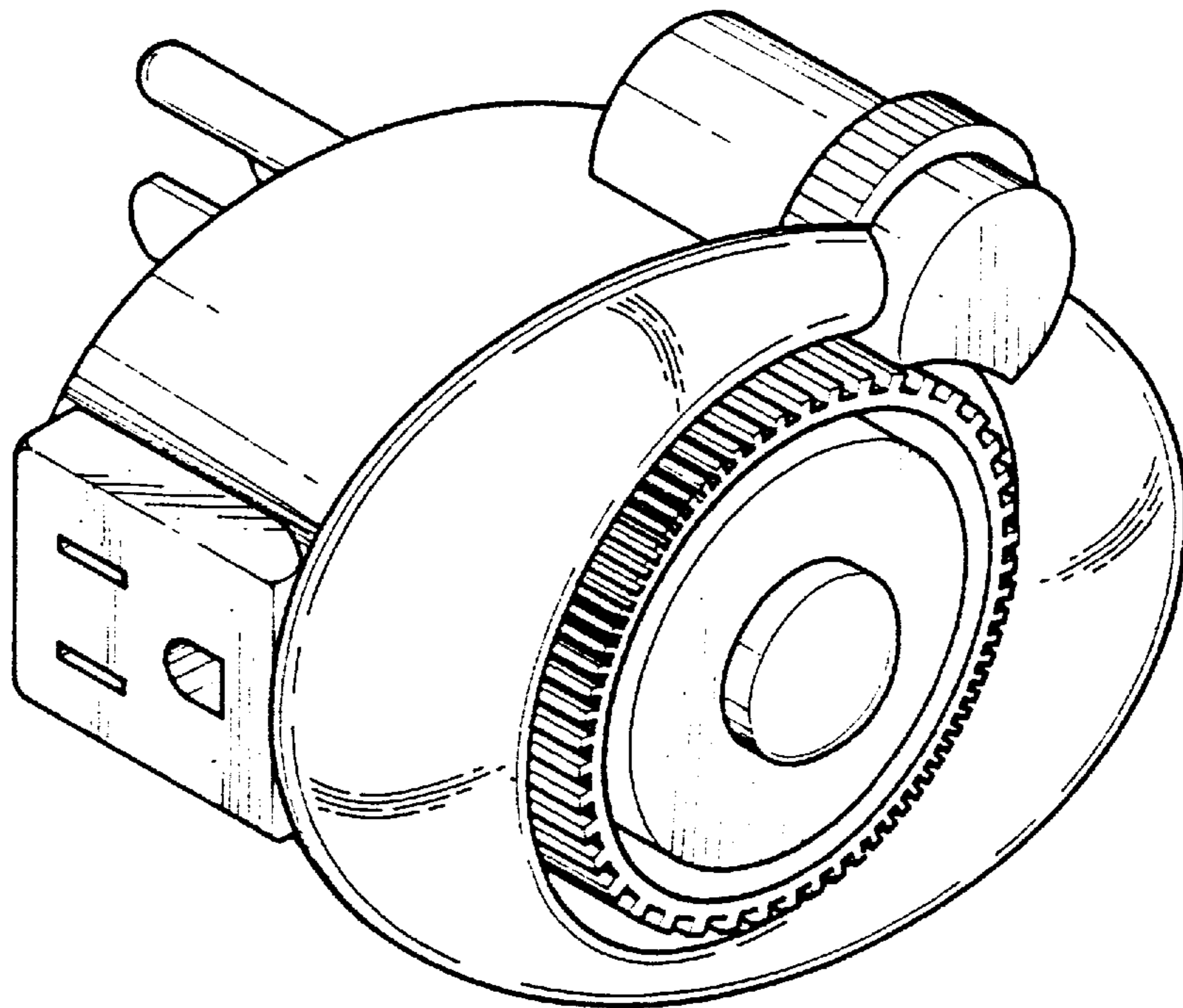
[57] **CLAIM**

The ornamental design for timer, as shown and described.

DESCRIPTION

FIG. 1 is a perspective view of a timer showing my new design thereof;
FIG. 2 is a front elevational view of FIG. 1;
FIG. 3 is a rear elevational view of FIG. 1;
FIG. 4 is a left side elevational view of FIG. 1;
FIG. 5 is a right side elevational view of FIG. 1;
FIG. 6 is a top plan view of FIG. 1; and,
FIG. 7 is a bottom plan view of FIG. 1.

1 Claim, 4 Drawing Sheets



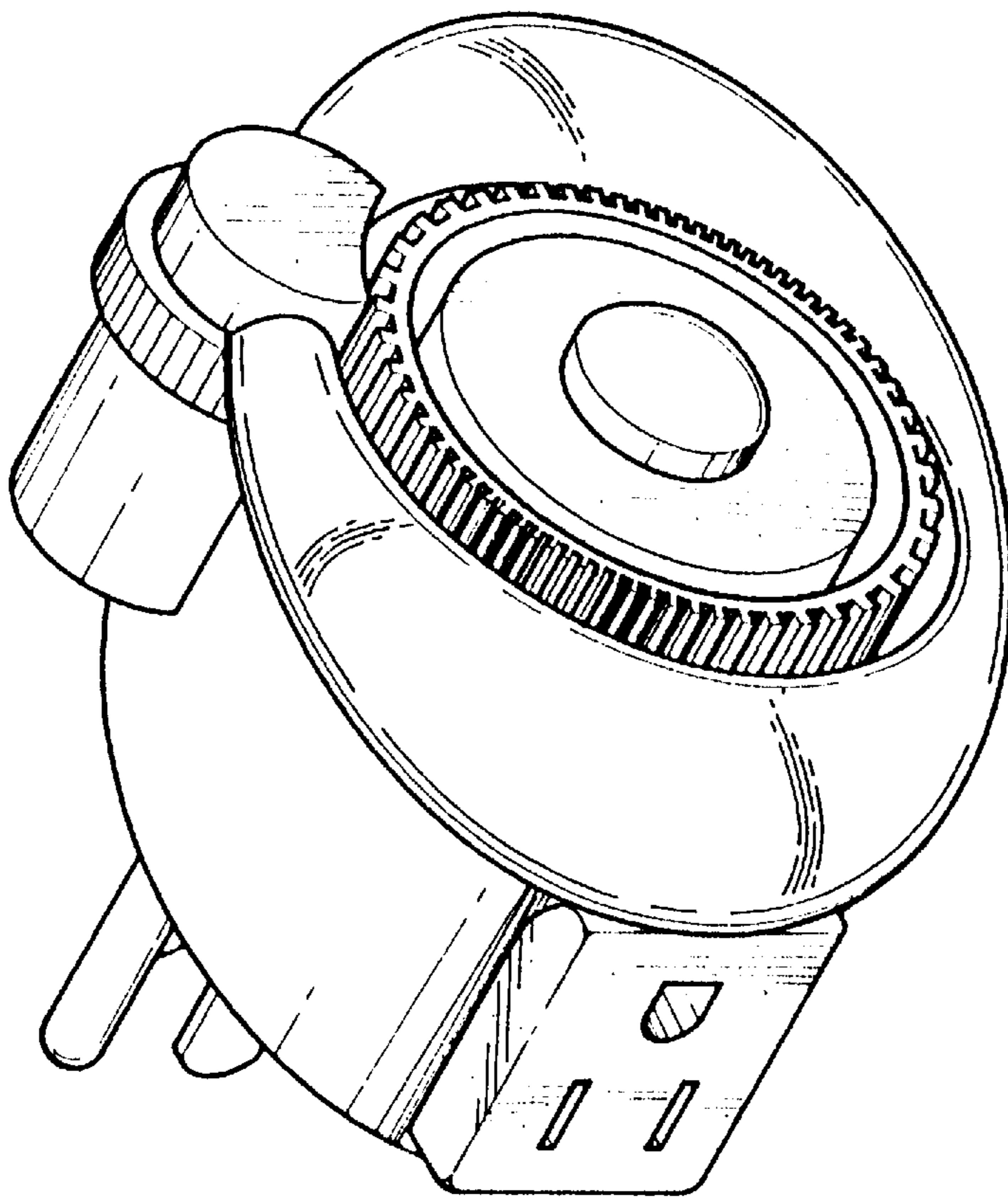


Fig. 1

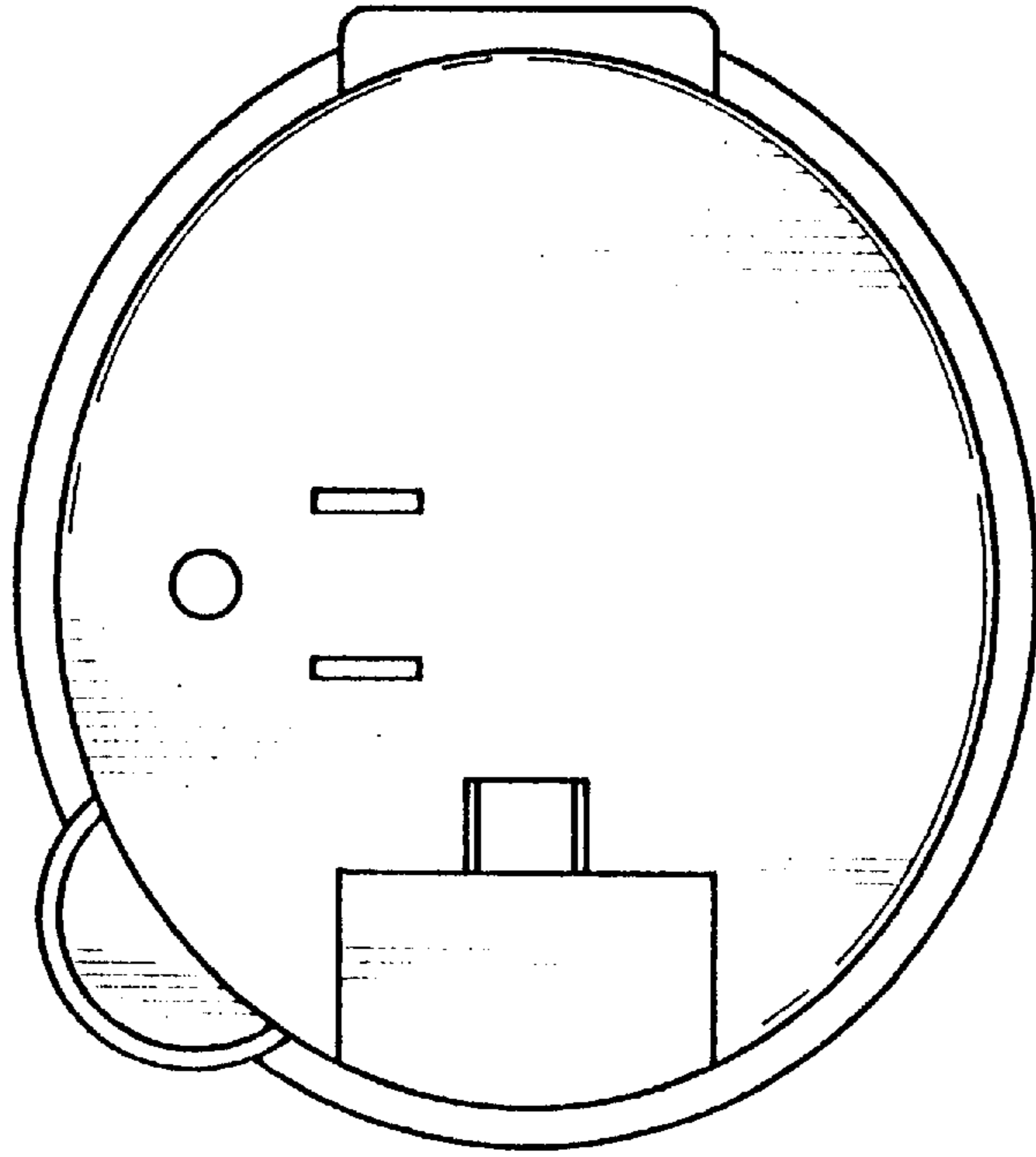


Fig. 3

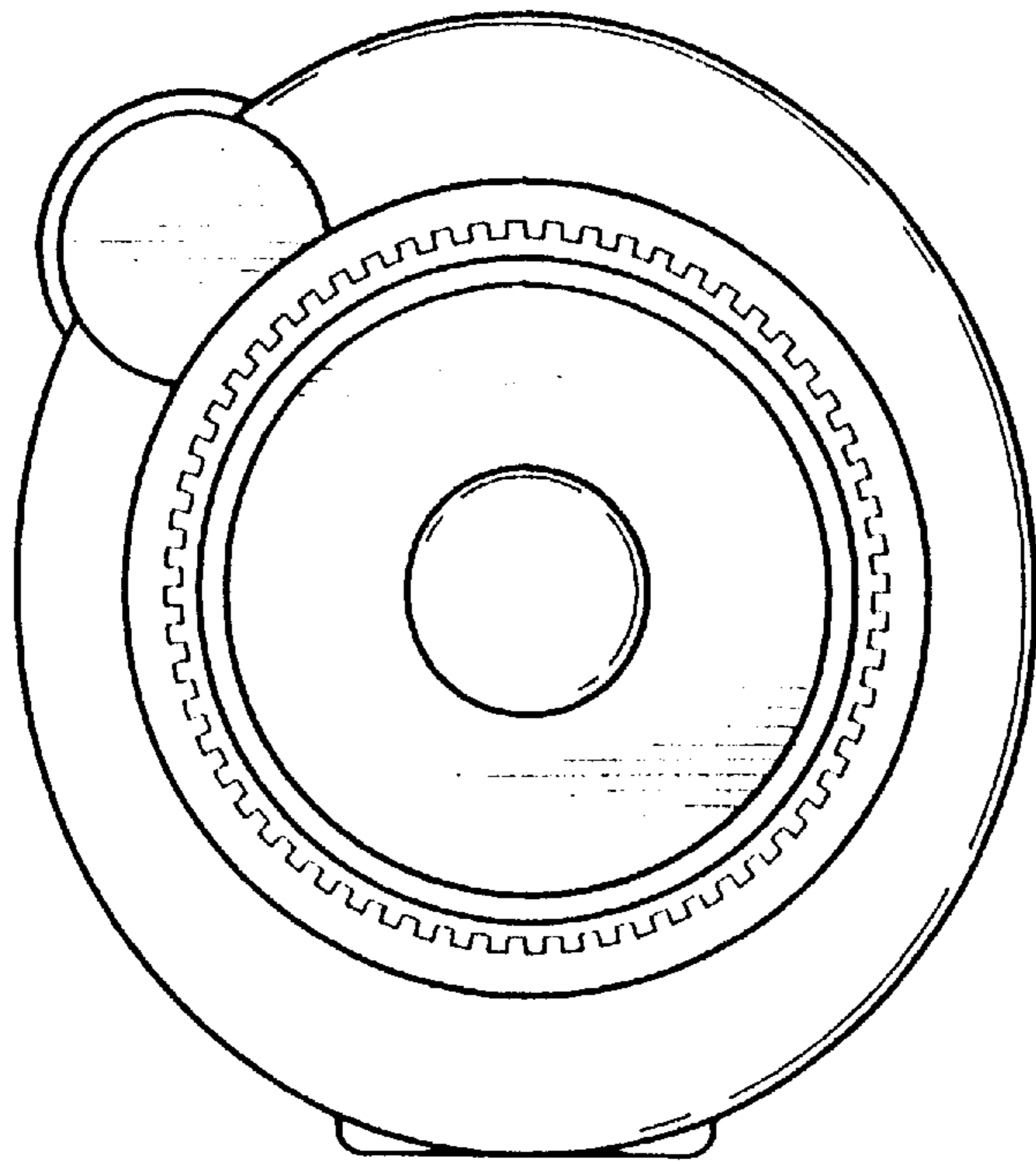


Fig. 2

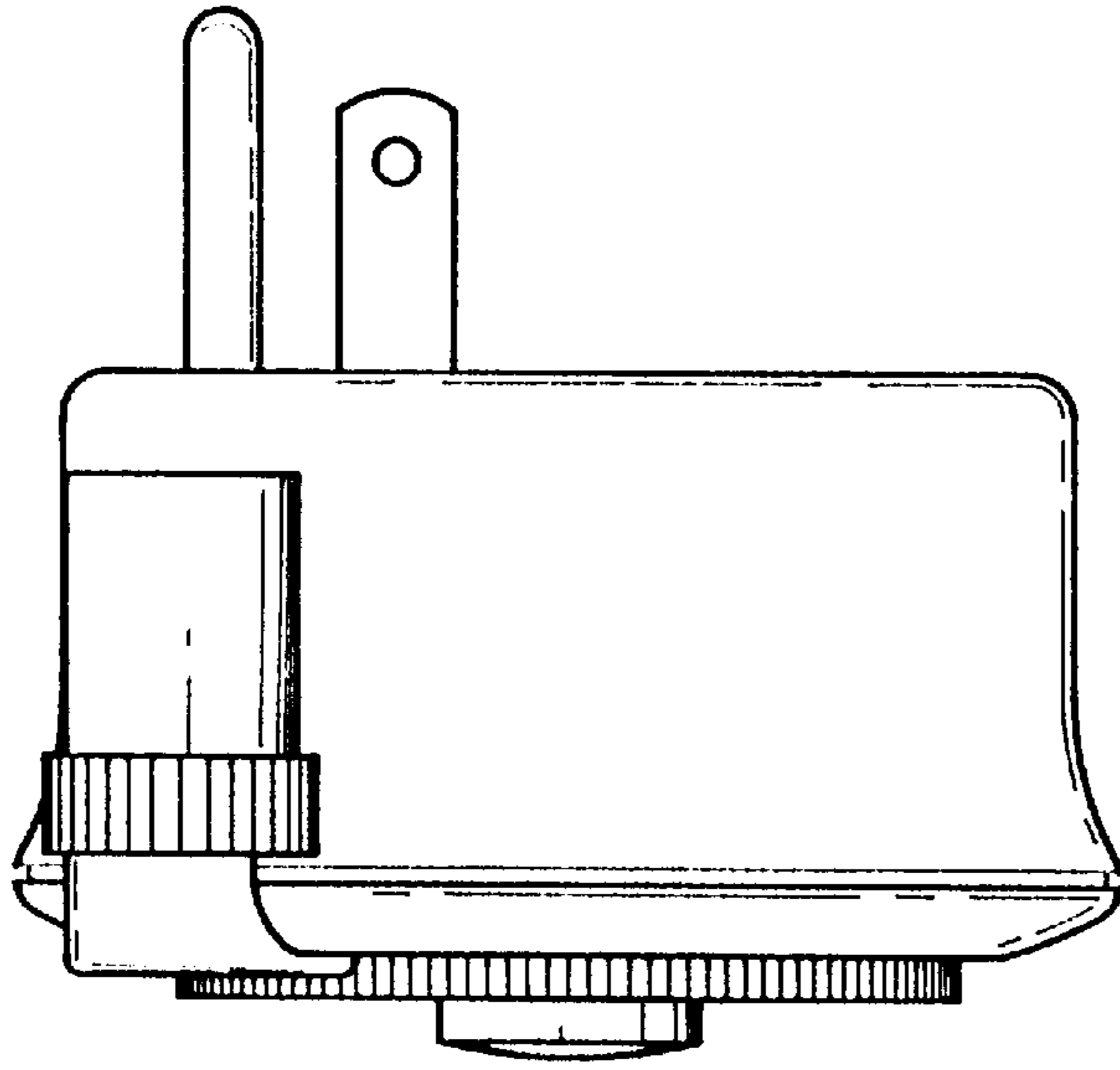


Fig. 5

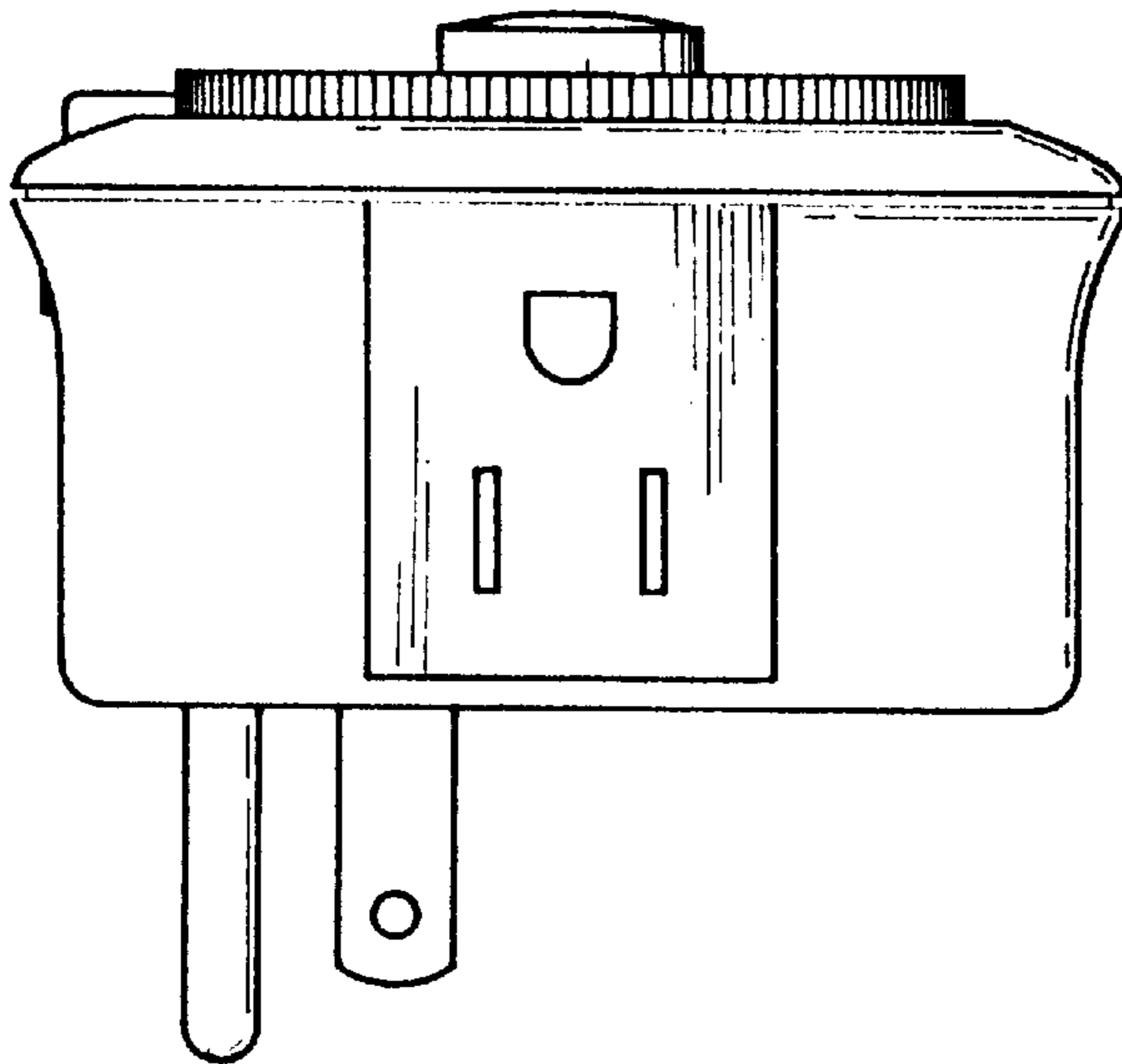


Fig. 4

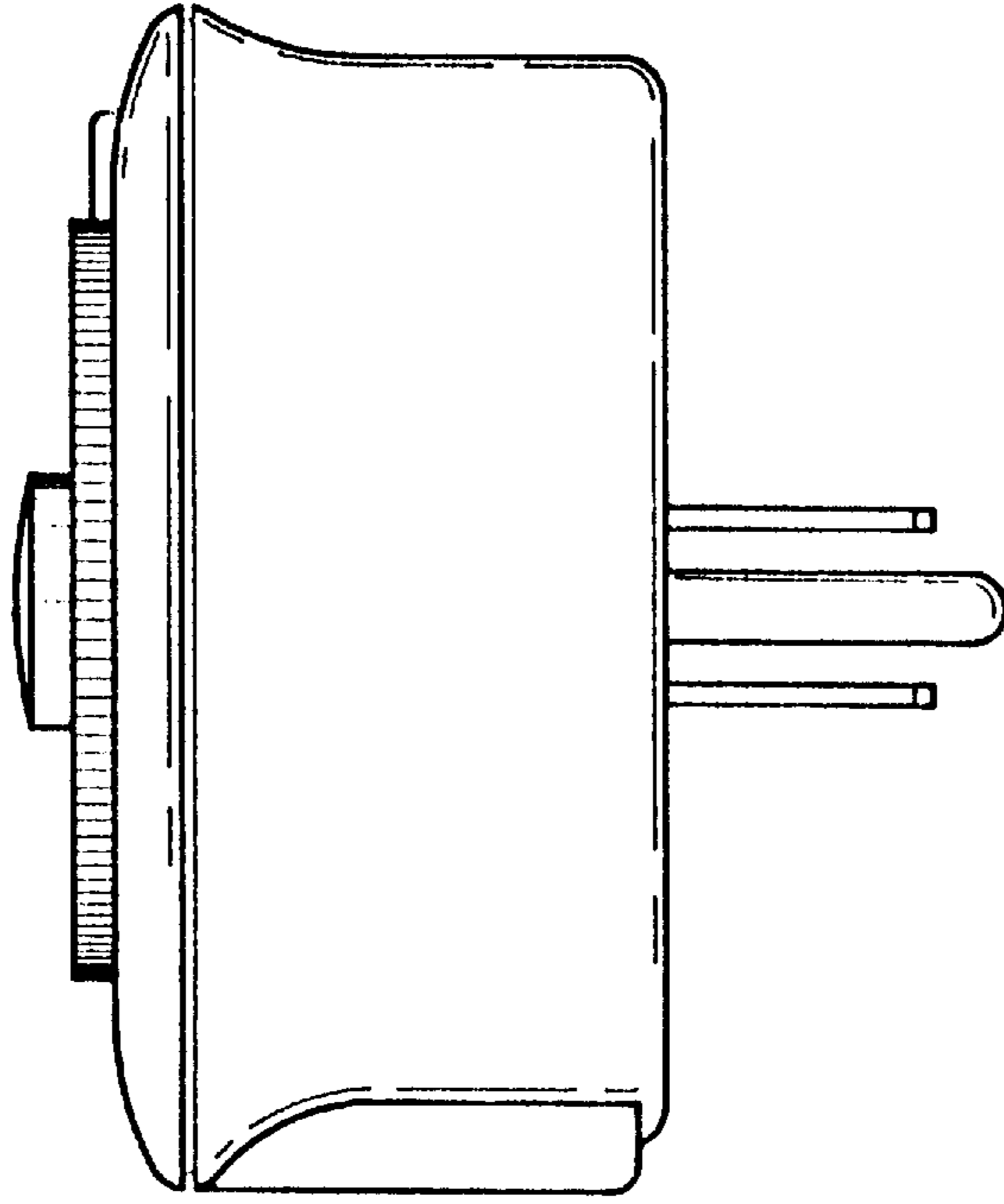


Fig. 7

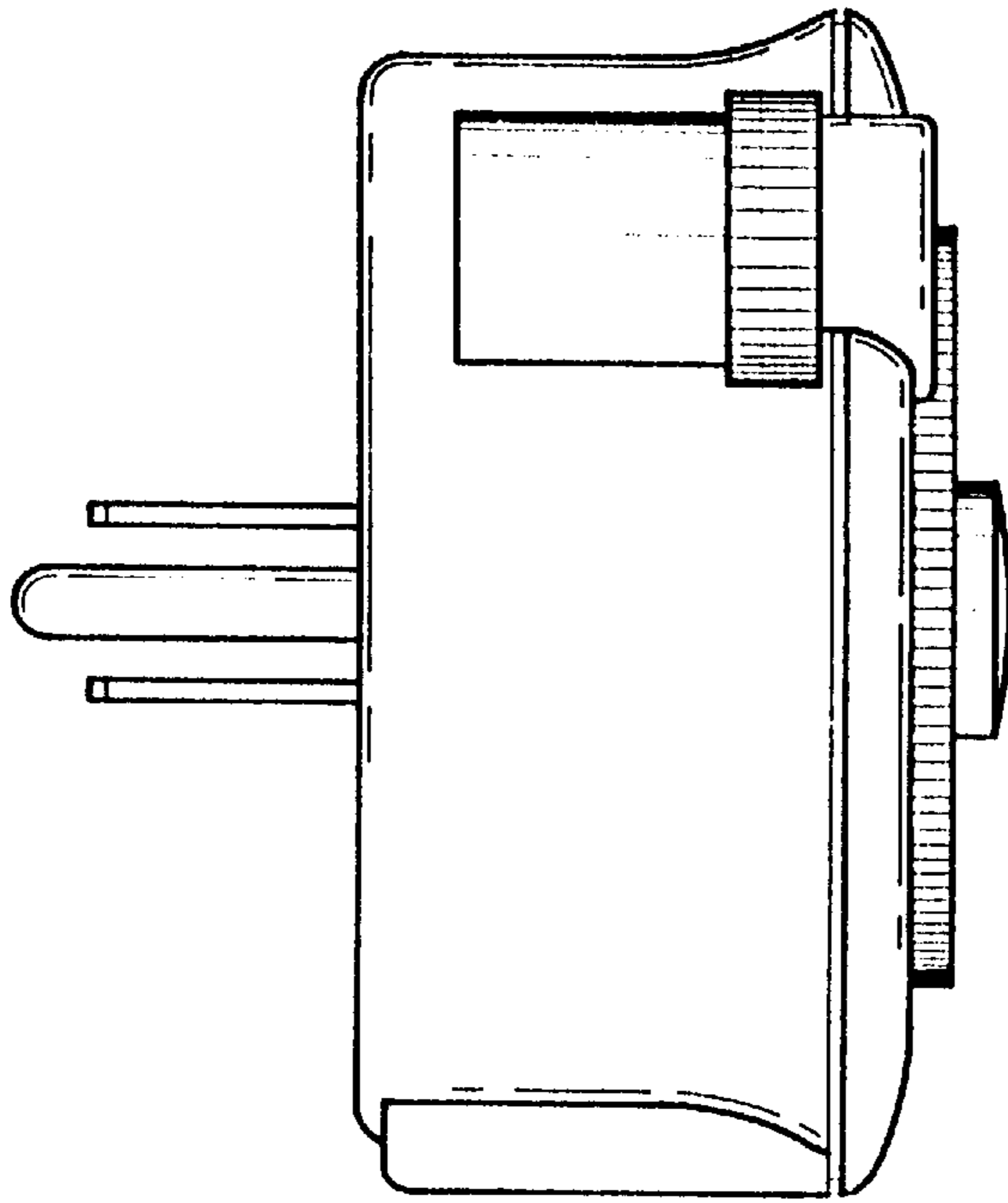


Fig. 6