



US00D402898S

United States Patent [19]
Hanagata

[11] **Patent Number: Des. 402,898**

[45] **Date of Patent: **Dec. 22, 1998**

[54] **WATCH CASE**

[75] Inventor: **Shigeru Hanagata**, Kodaira, Japan

[73] Assignee: **Casio Keisanki Kabushiki Kaisha**,
Tokyo, Japan

[**] Term: **14 Years**

[21] Appl. No.: **83,697**

[22] Filed: **Feb. 17, 1998**

[51] **LOC (6) Cl.** **10-02**

[52] **U.S. Cl.** **D10/30; D10/38**

[58] **Field of Search** D10/1-40, 122-132;
368/280-282, 276-277, 28-30, 285, 239-242,
82-84, 41-44

[56] **References Cited**

U.S. PATENT DOCUMENTS

| | | | | |
|------------|---------|----------|-------|--------|
| D. 332,408 | 1/1993 | Chodat | | D10/30 |
| D. 349,247 | 8/1994 | Sugita | | D10/38 |
| D. 365,284 | 12/1995 | Droz | | D10/30 |
| D. 378,198 | 2/1997 | Tomita | | D10/38 |
| D. 380,395 | 7/1997 | Lassigne | | D10/32 |

Primary Examiner—Nelson C. Holtje

Attorney, Agent, or Firm—Frishauf, Holtz, Goodman,
Langer & Chick

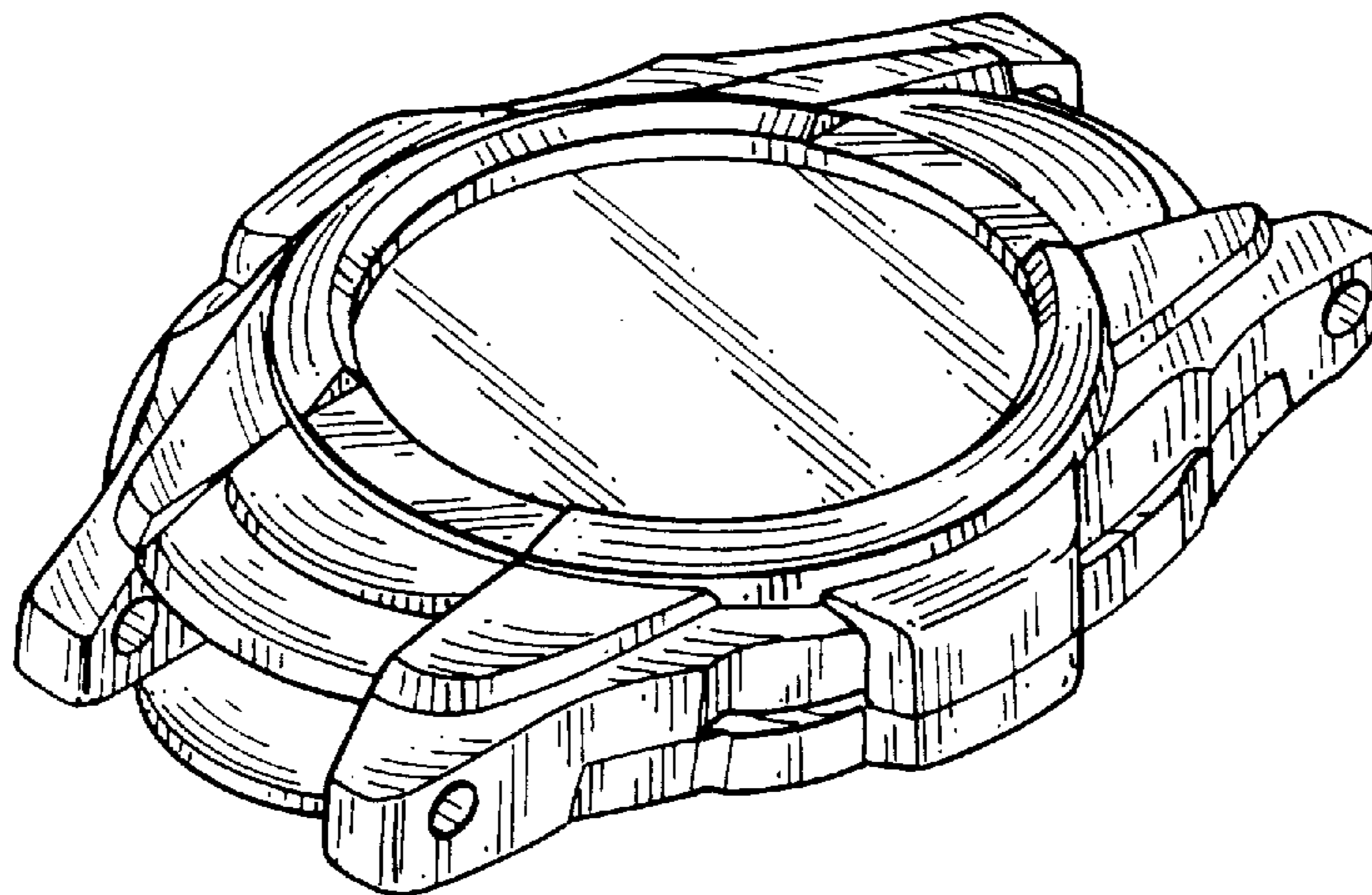
[57] **CLAIM**

The ornamental design for watch case, as shown and described.

DESCRIPTION

FIG. 1 is a front, bottom and right side perspective view of watch case, showing my new design;
 FIG. 2 is a front elevational view thereof;
 FIG. 3 is a rear elevational view thereof;
 FIG. 4 is a top plan view thereof;
 FIG. 5 is a bottom plan view thereof;
 FIG. 6 is a left side elevational view thereof;
 FIG. 7 is a right side elevational view thereof;
 FIG. 8 is a front, bottom and right side perspective view of a second embodiment of the watch case;
 FIG. 9 is a front elevational view thereof;
 FIG. 10 is a rear elevational view thereof;
 FIG. 11 is a top plan view thereof;
 FIG. 12 is a bottom plan view thereof;
 FIG. 13 is a left side elevational view thereof; and,
 FIG. 14 is a right side elevational view thereof.

1 Claim, 4 Drawing Sheets



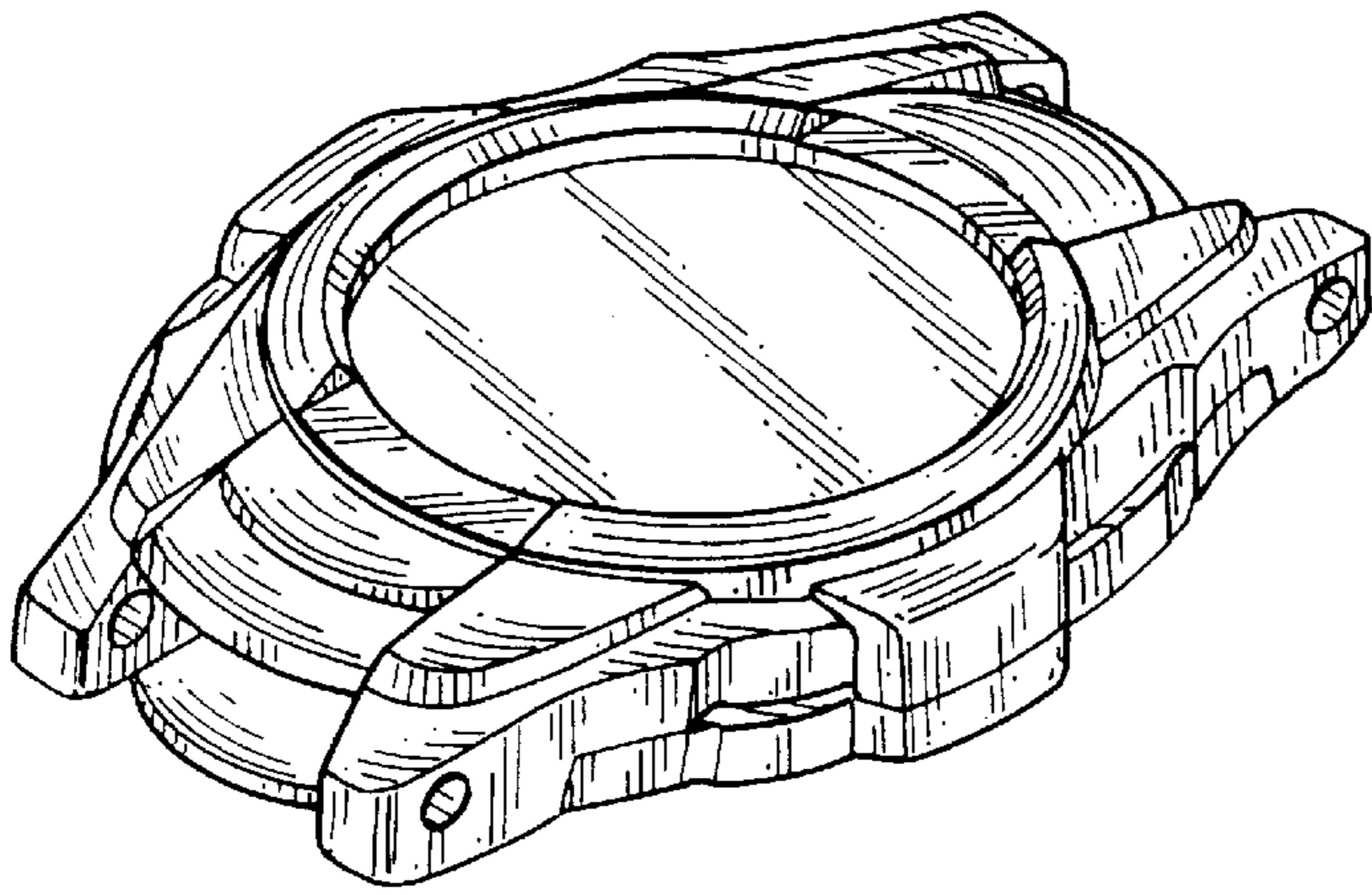


FIG.1

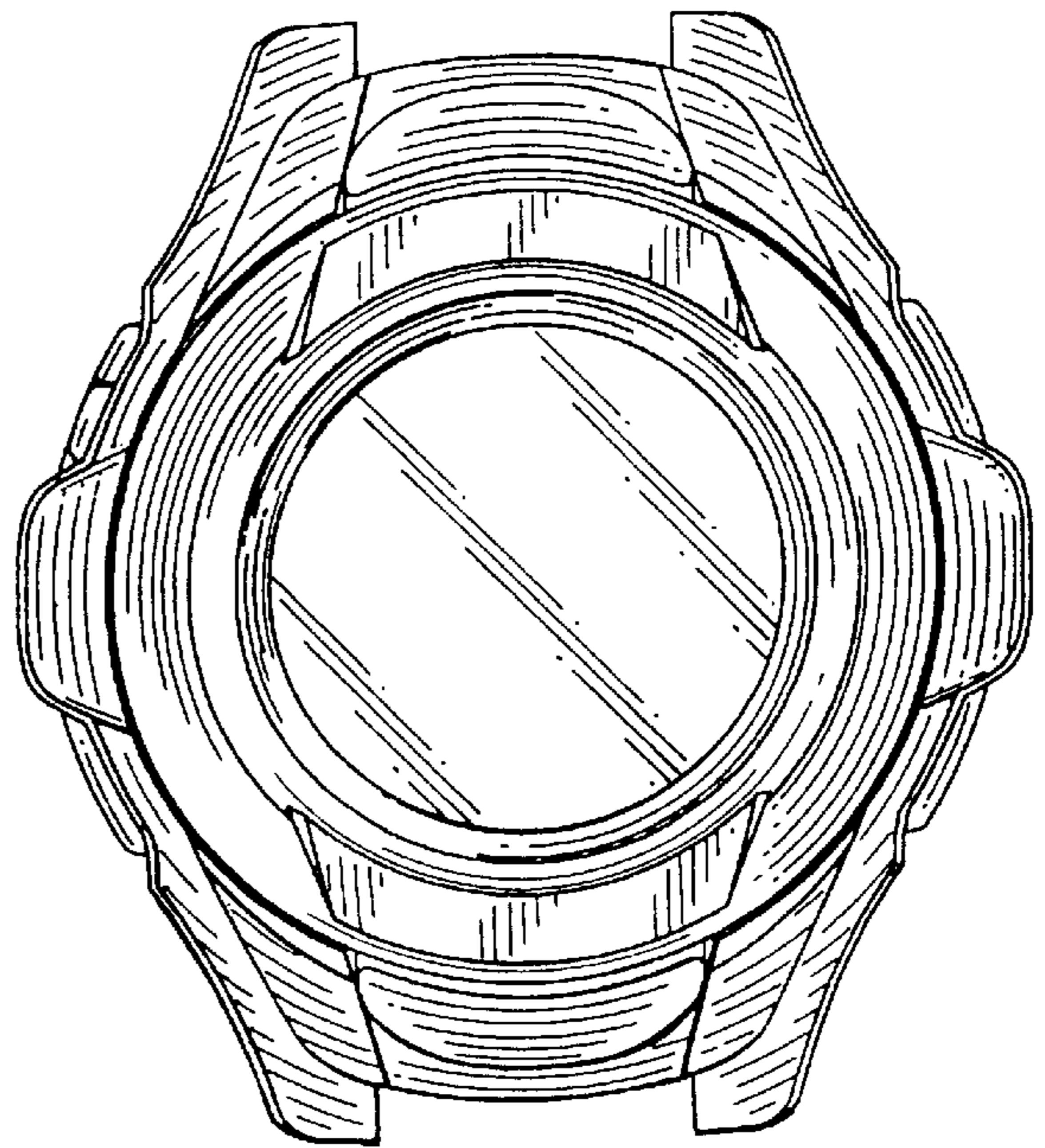


FIG.2

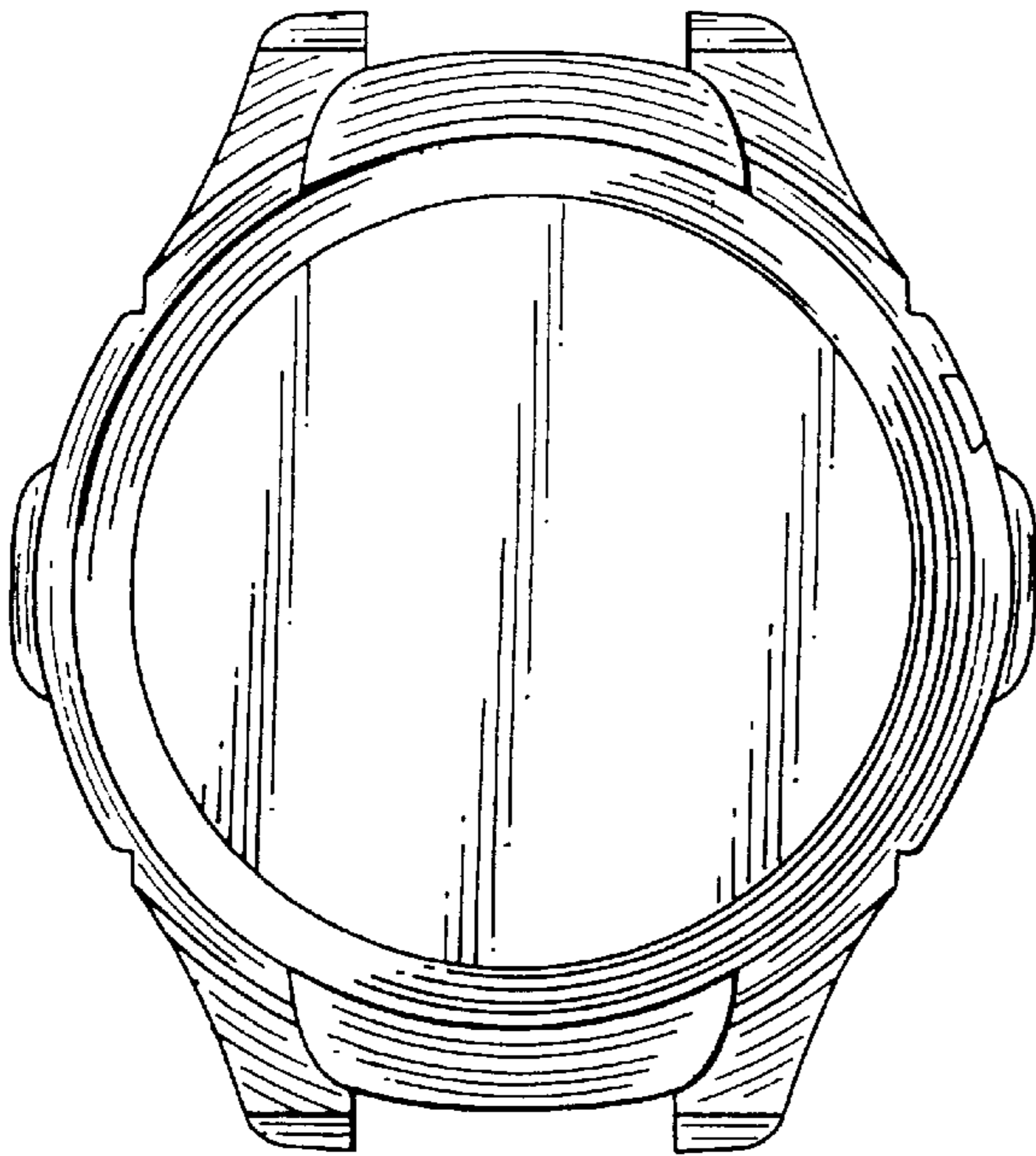


FIG.3

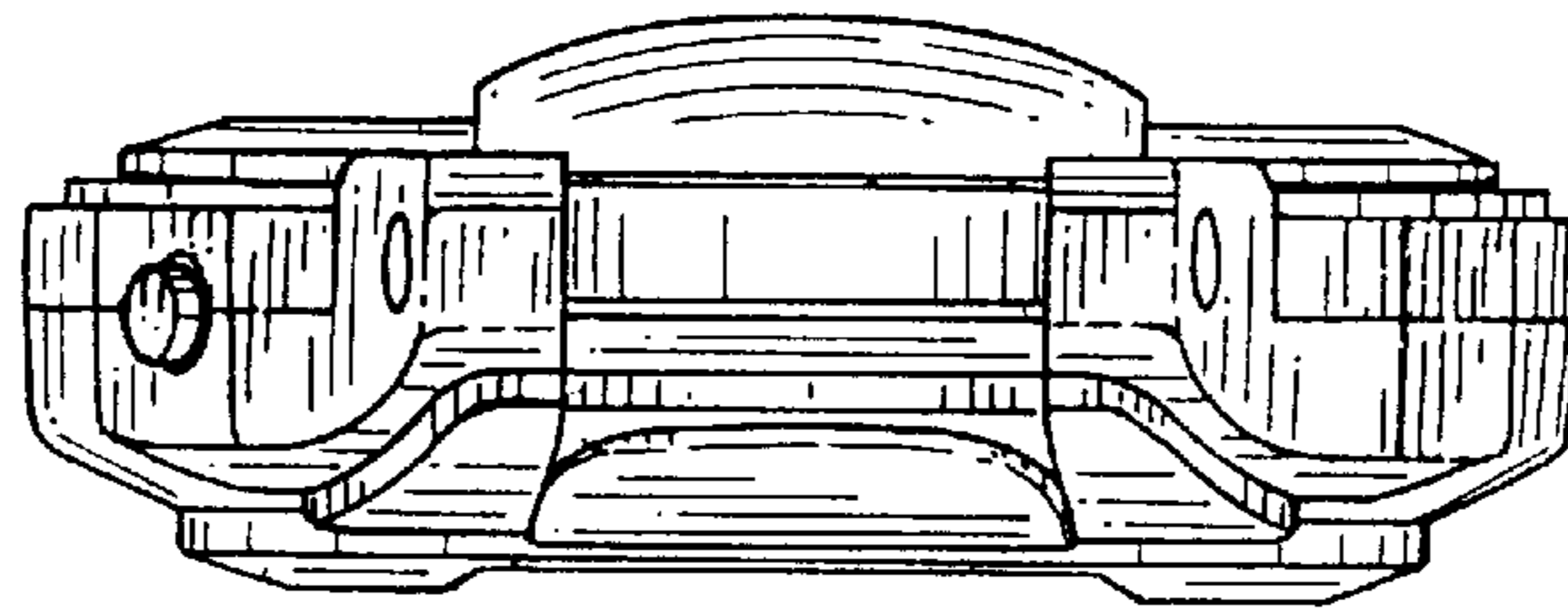


FIG. 4

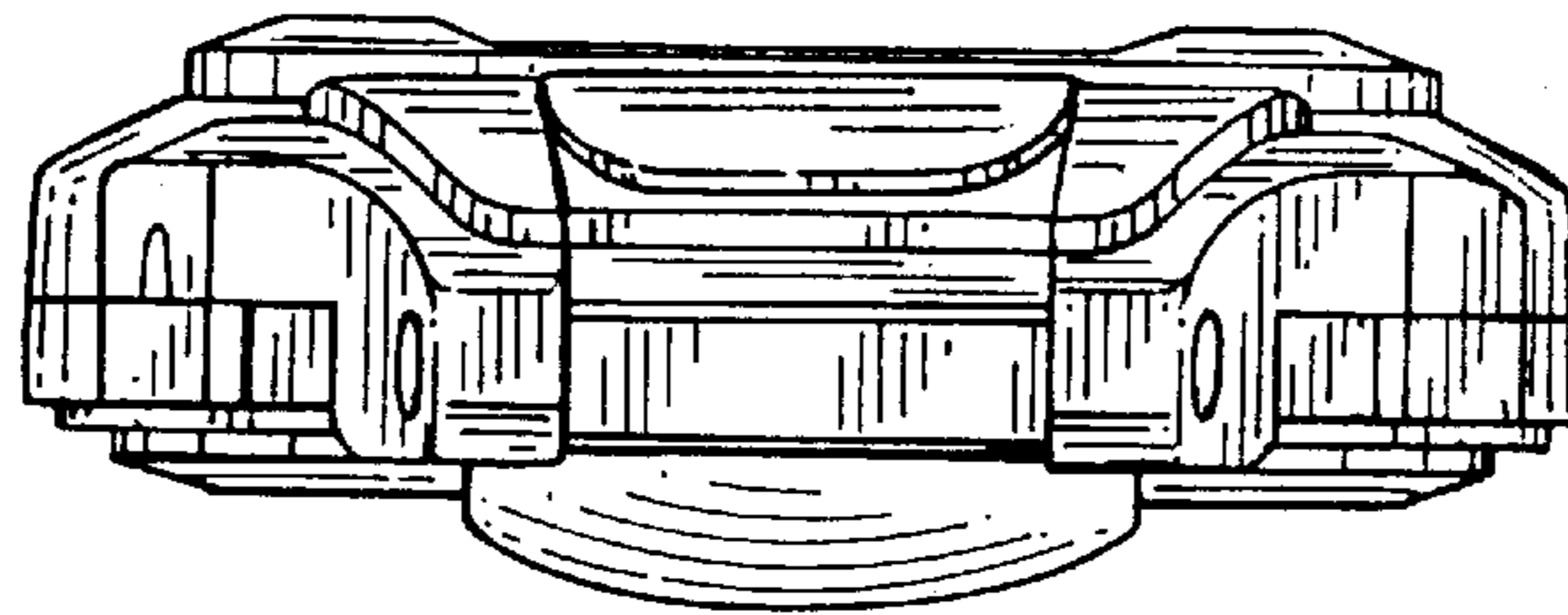


FIG. 5

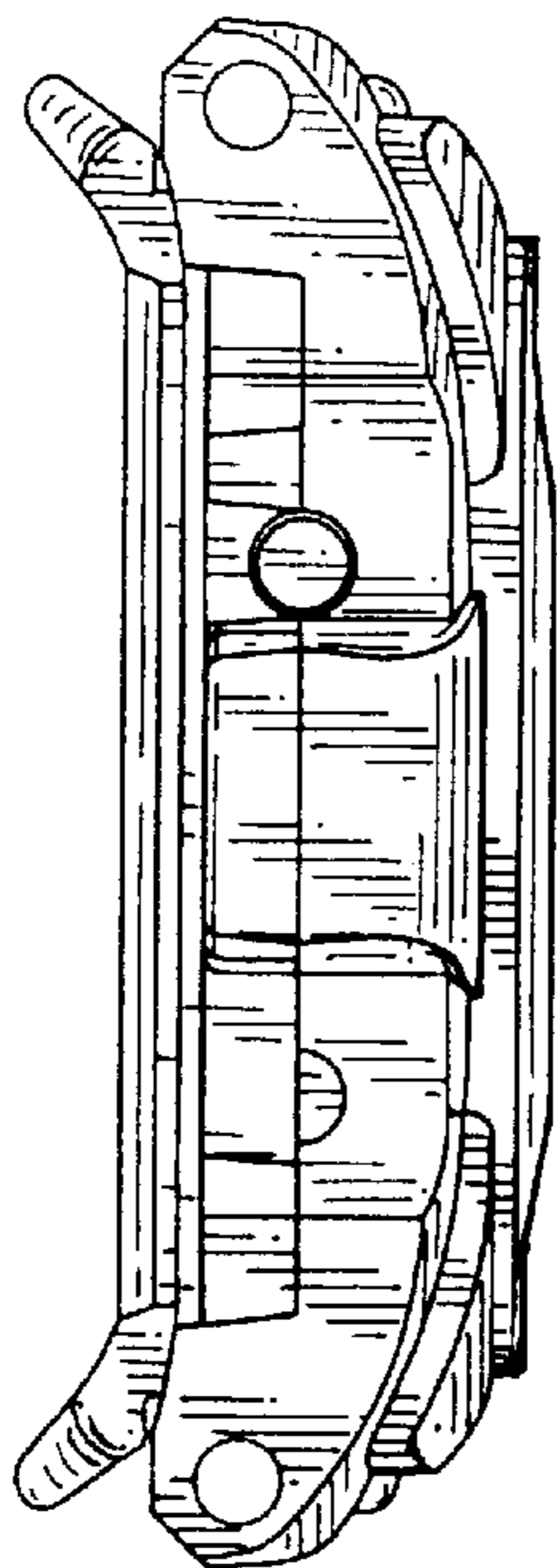


FIG. 6

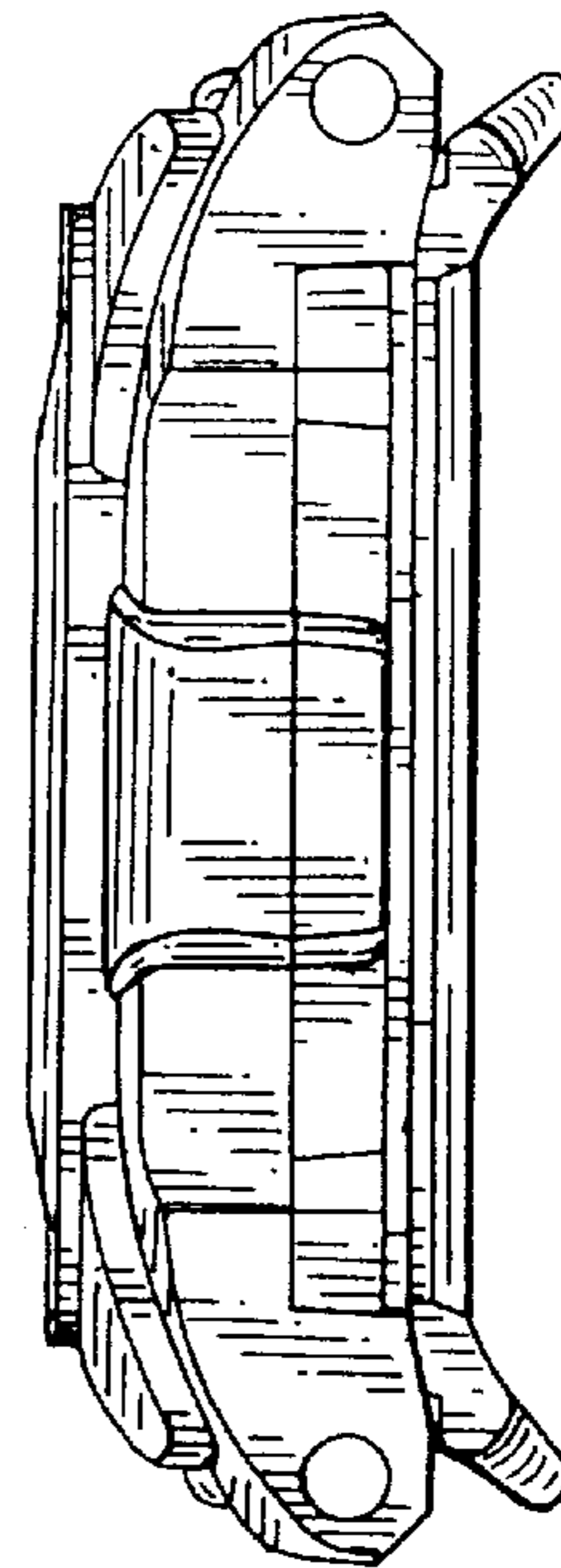


FIG. 7

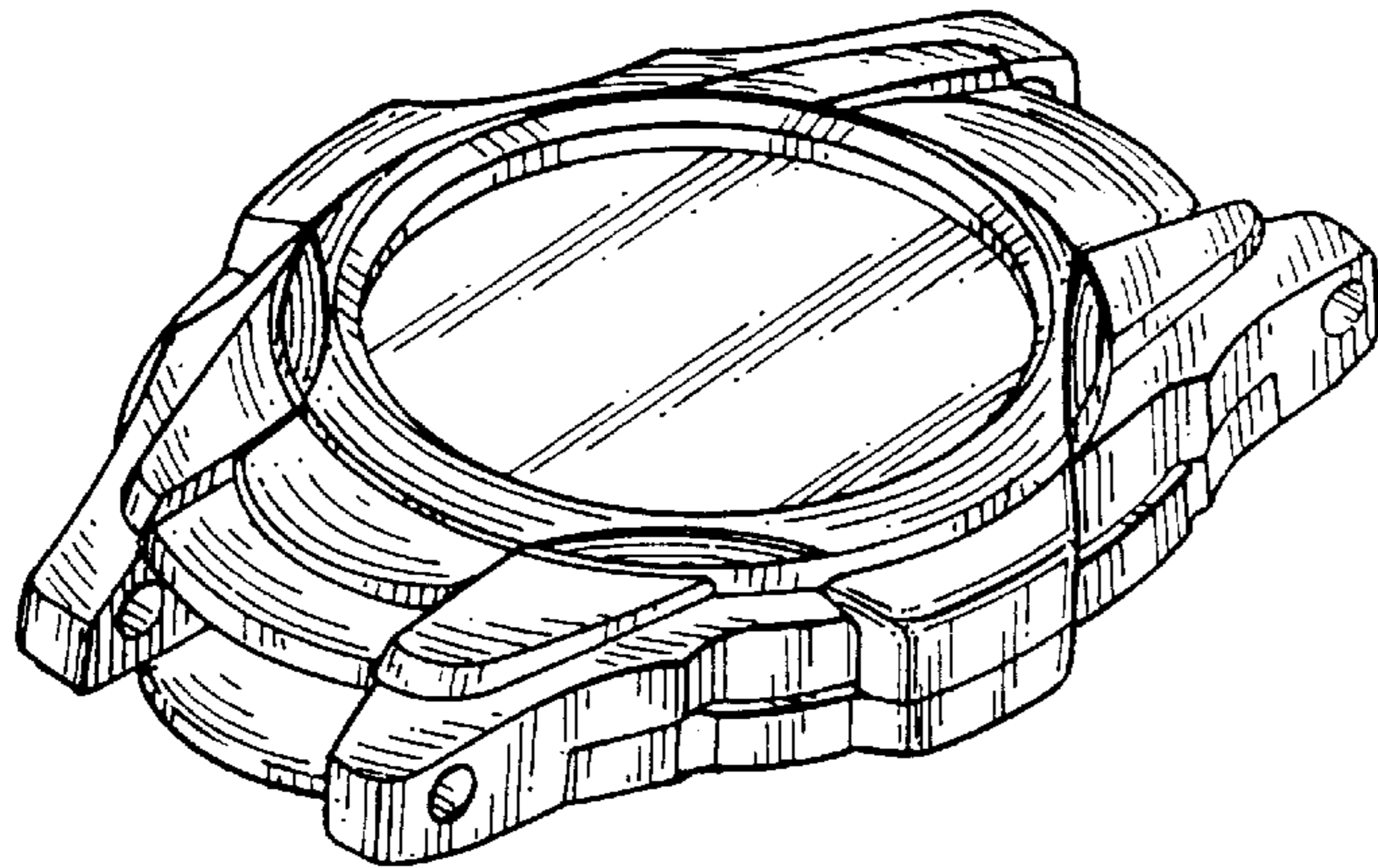


FIG. 8

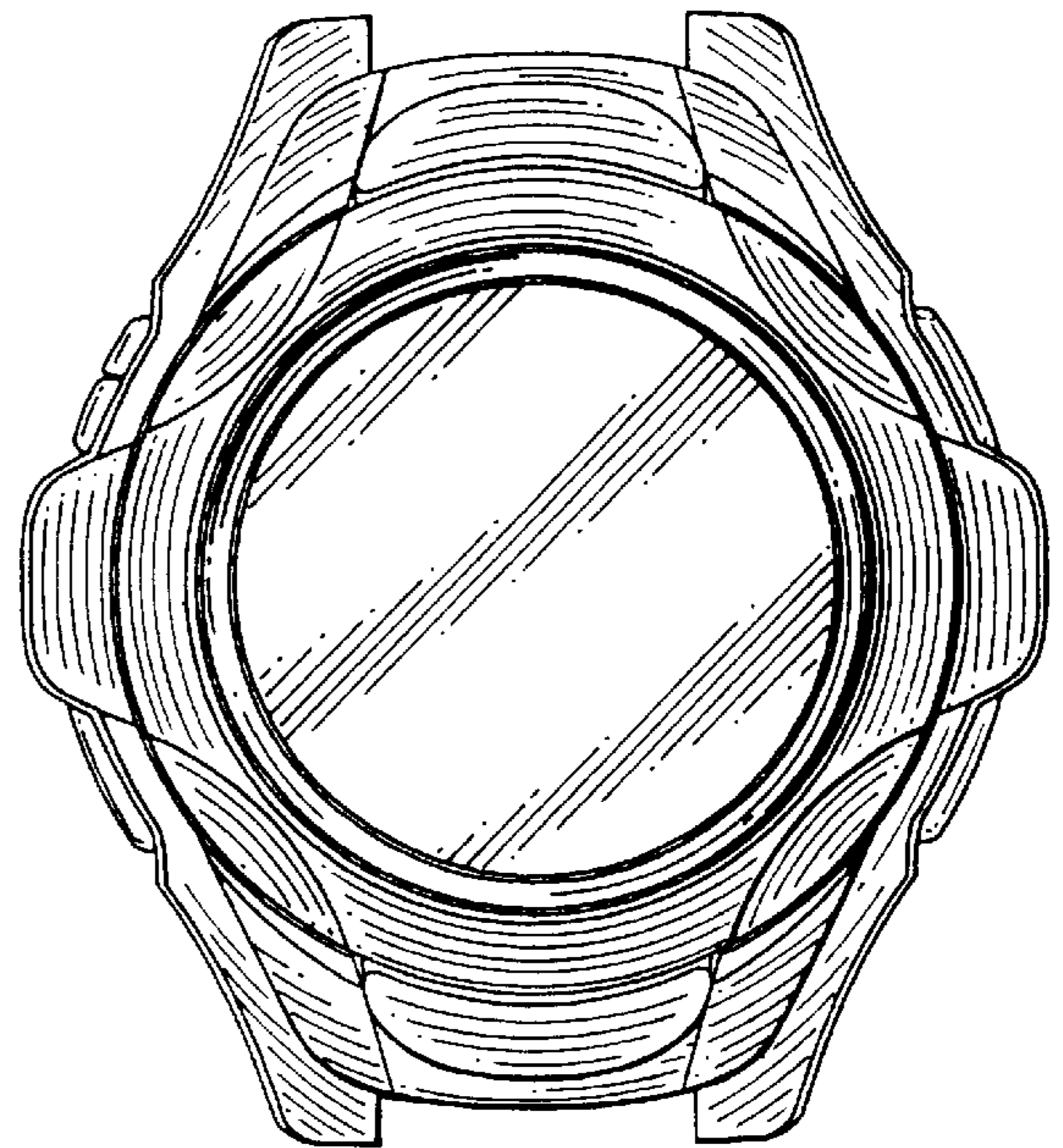


FIG. 9

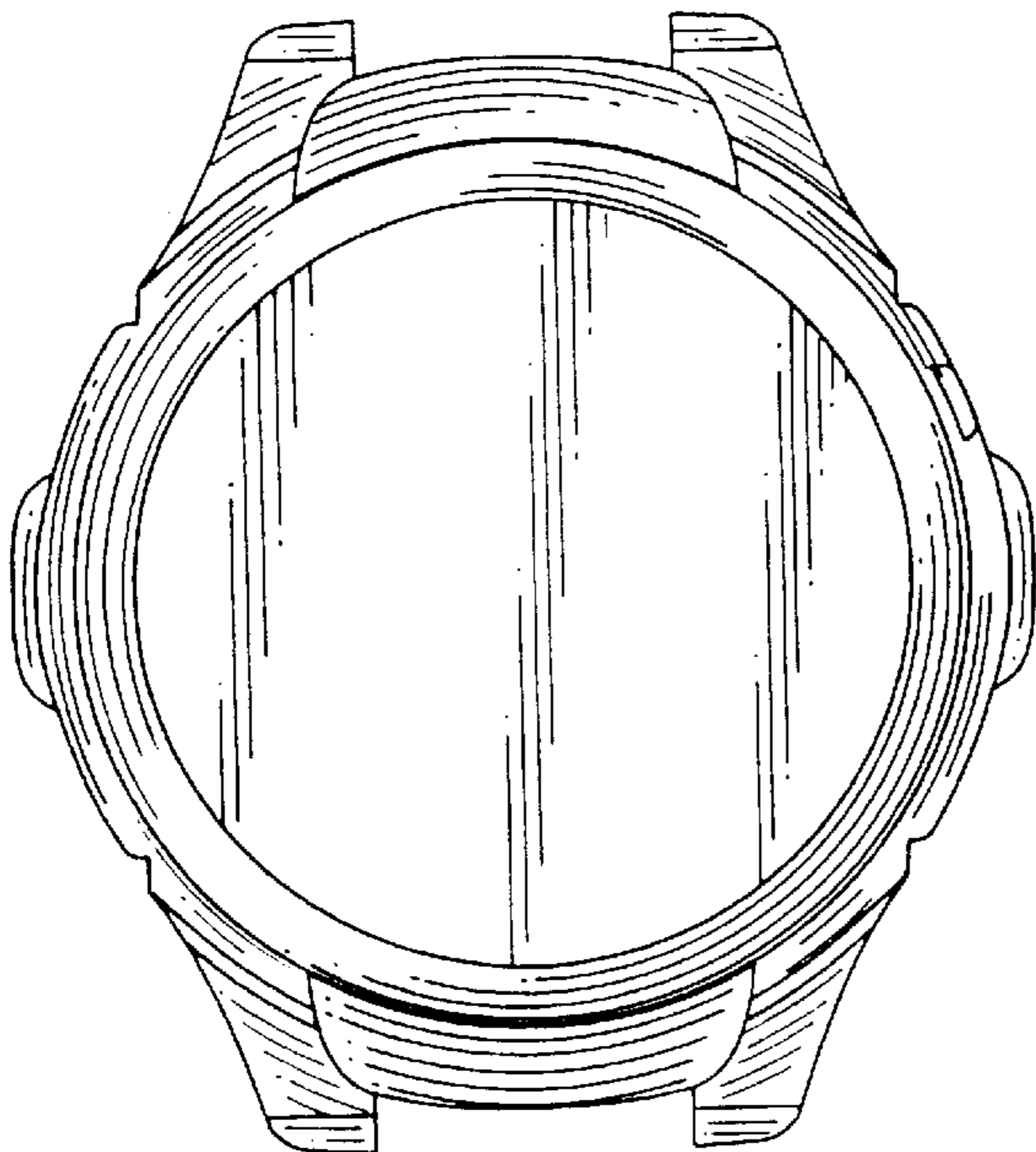


FIG. 10

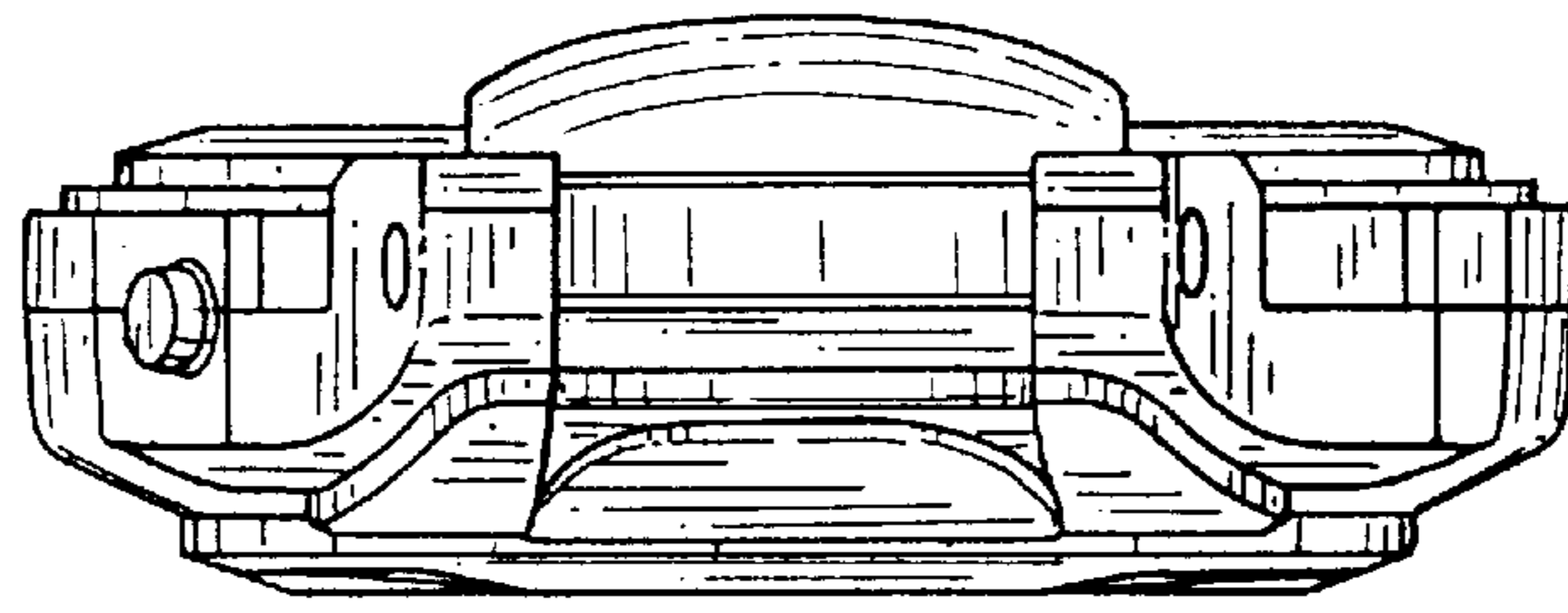


FIG. 11

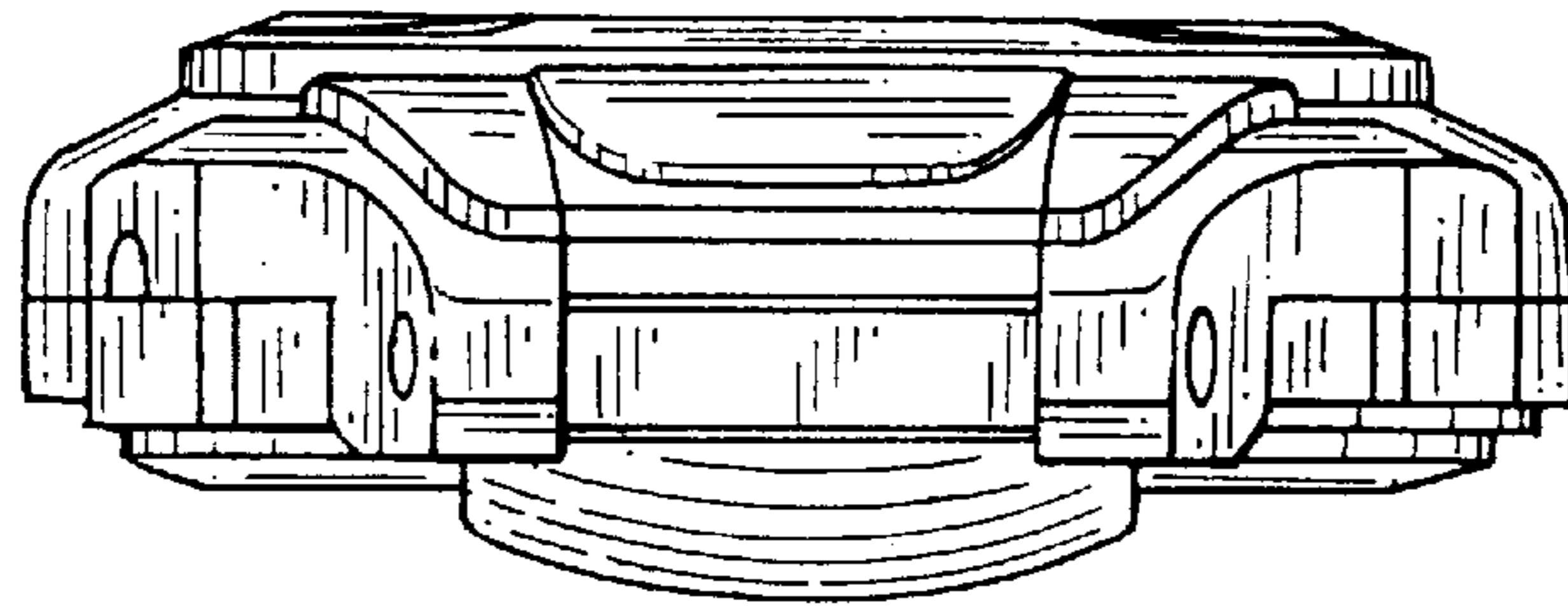


FIG. 12

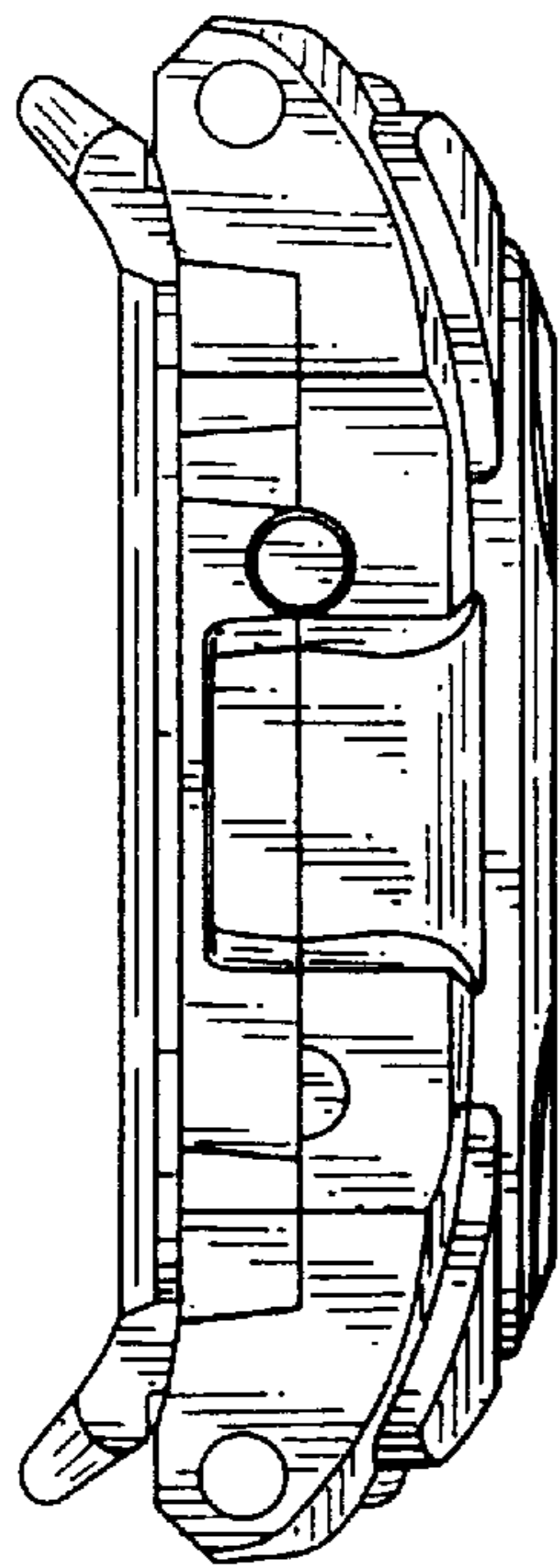


FIG. 13

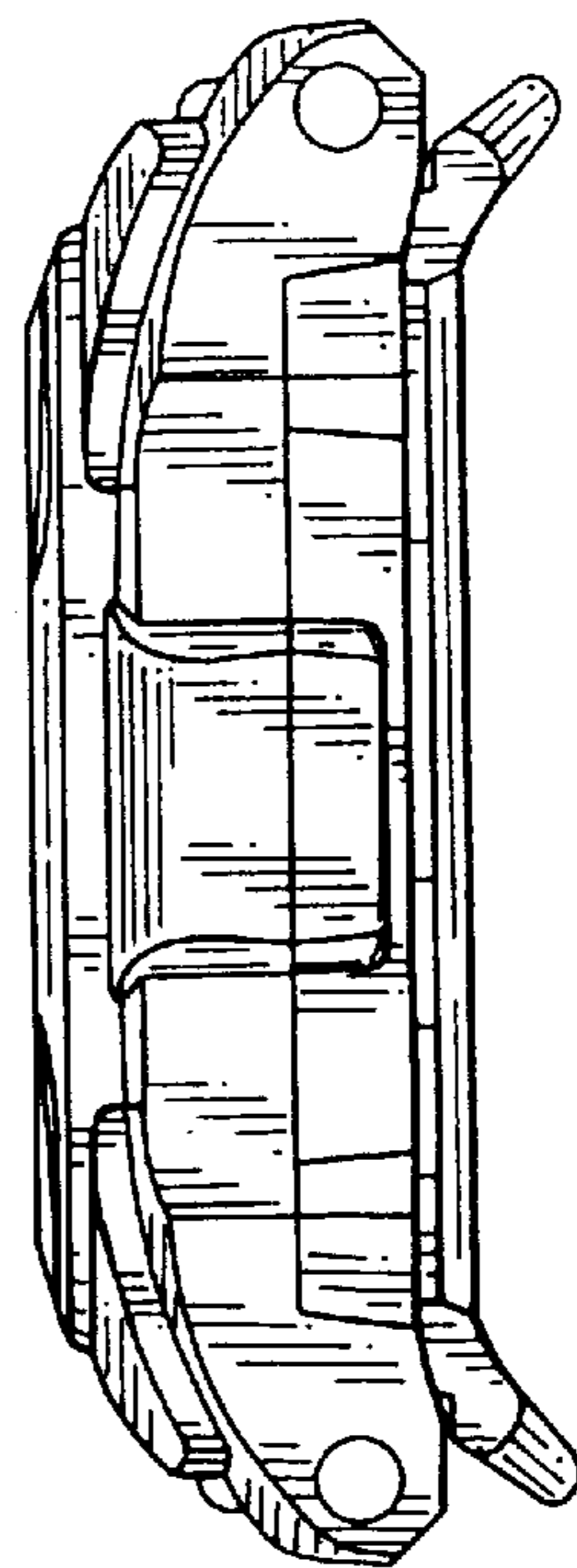


FIG. 14