



US00D402897S

United States Patent [19]
Williams

[11] **Patent Number: Des. 402,897**

[45] **Date of Patent: **Dec. 22, 1998**

[54] **CLOCK**

D. 330,678 11/1992 Prudhomme D10/23
2,984,713 5/1961 Swinehart .

[76] Inventor: **Garry Williams**, 7045 California St.,
Hammond, Ind.

OTHER PUBLICATIONS

[**] Term: **14 Years**

Becker's Catalog. -Inside Cover-Microphone as Top-Left.

[21] Appl. No.: **83,404**

Primary Examiner—Nelson C. Holtje

Attorney, Agent, or Firm—Chapman & Cutler

[22] Filed: **Feb. 3, 1998**

[57] **CLAIM**

[51] **LOC (6) Cl.** **10-01**

I claim the ornamental design for a clock, as shown.

[52] **U.S. Cl.** **D10/6; D10/23**

DESCRIPTION

[58] **Field of Search** D10/6, 23; D14/225,
D14/227-229; 381/169, 176-178

FIG. 1 is a front quarter perspective view of the clock design of the invention;

[56] **References Cited**

U.S. PATENT DOCUMENTS

- D. 57,686 4/1921 Lord .
- D. 83,985 4/1931 McClintock .
- D. 144,929 6/1946 Metzger .
- D. 203,941 3/1966 Jaffe .
- D. 223,169 3/1972 Wallach .

FIG. 2 is a right side plan view of the clock design;

FIG. 3 is a front horizontal plan view of the design;

FIG. 4 is a rear horizontal plan view of the design;

FIG. 5 is a top plan view of the design; and,

FIG. 6 is a bottom plan view of the design.

1 Claim, 5 Drawing Sheets

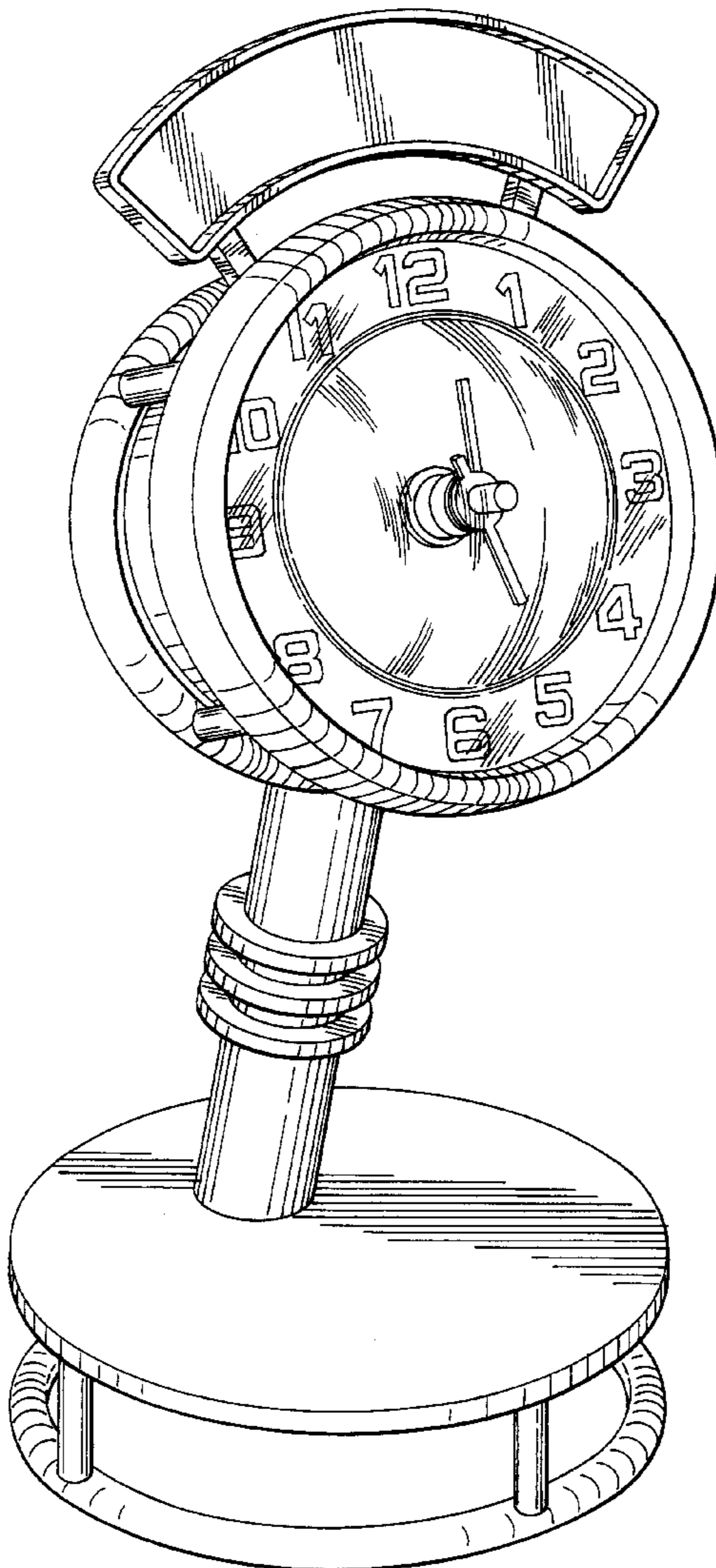


FIG. 1

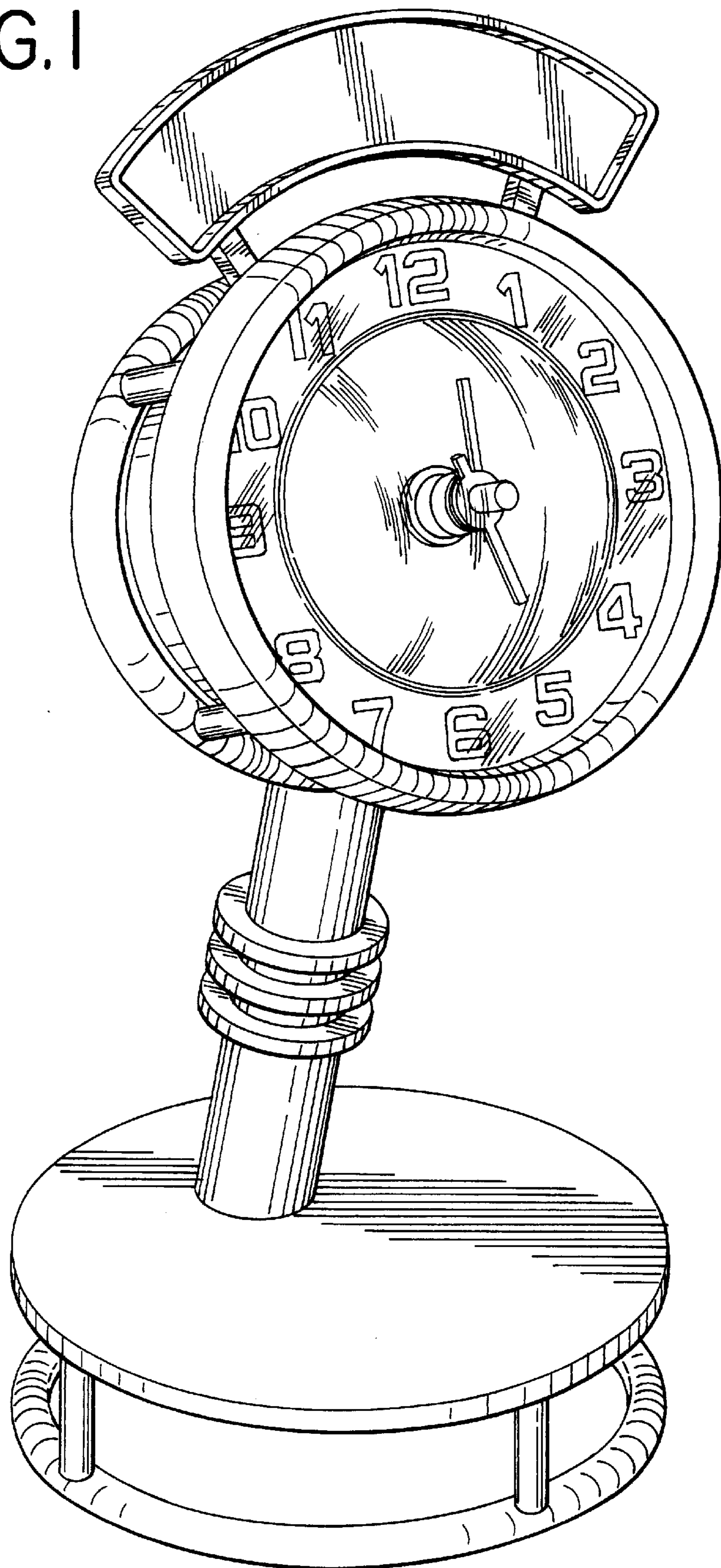


FIG. 2

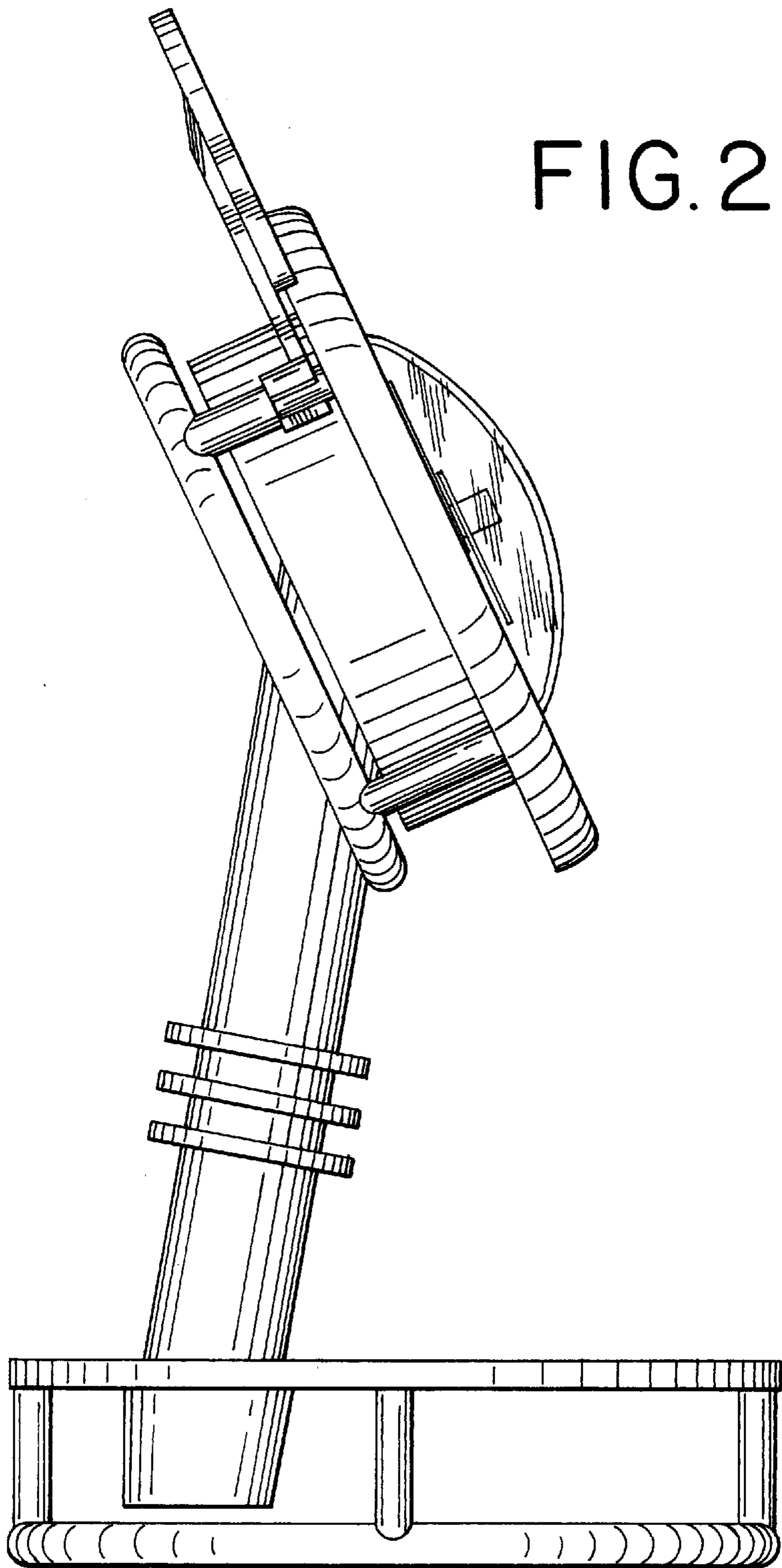


FIG. 3

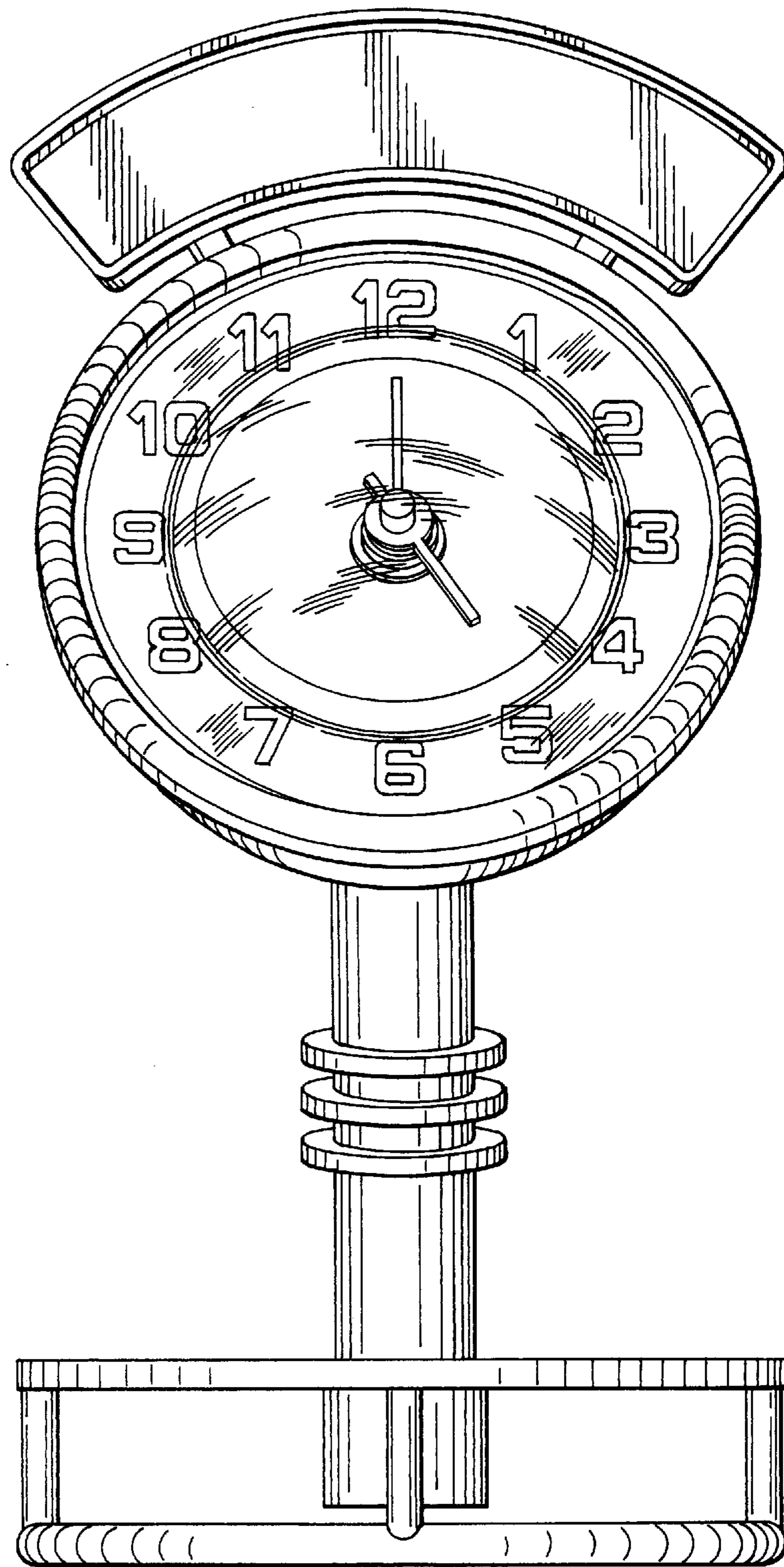


FIG. 4

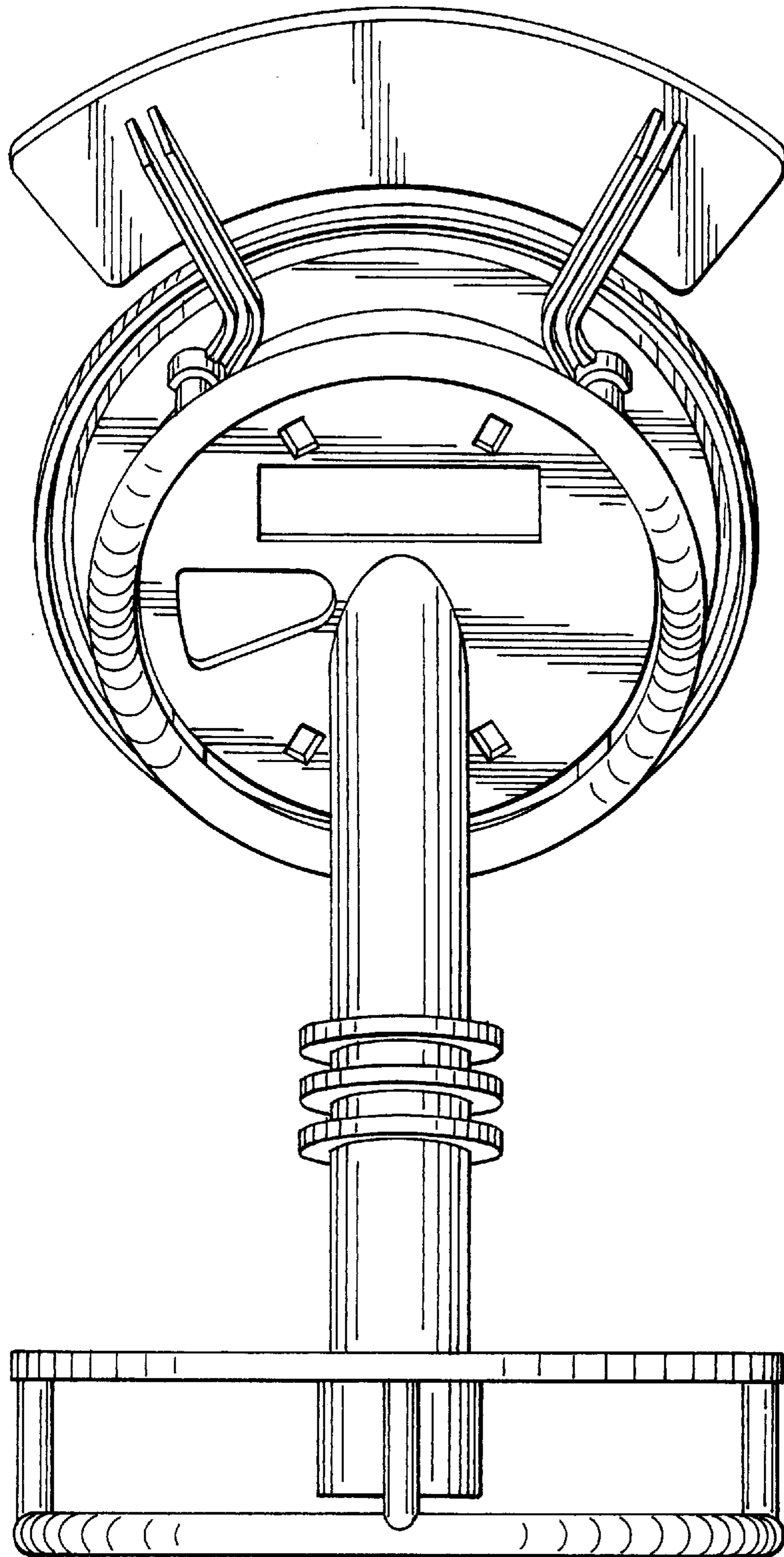


FIG. 5

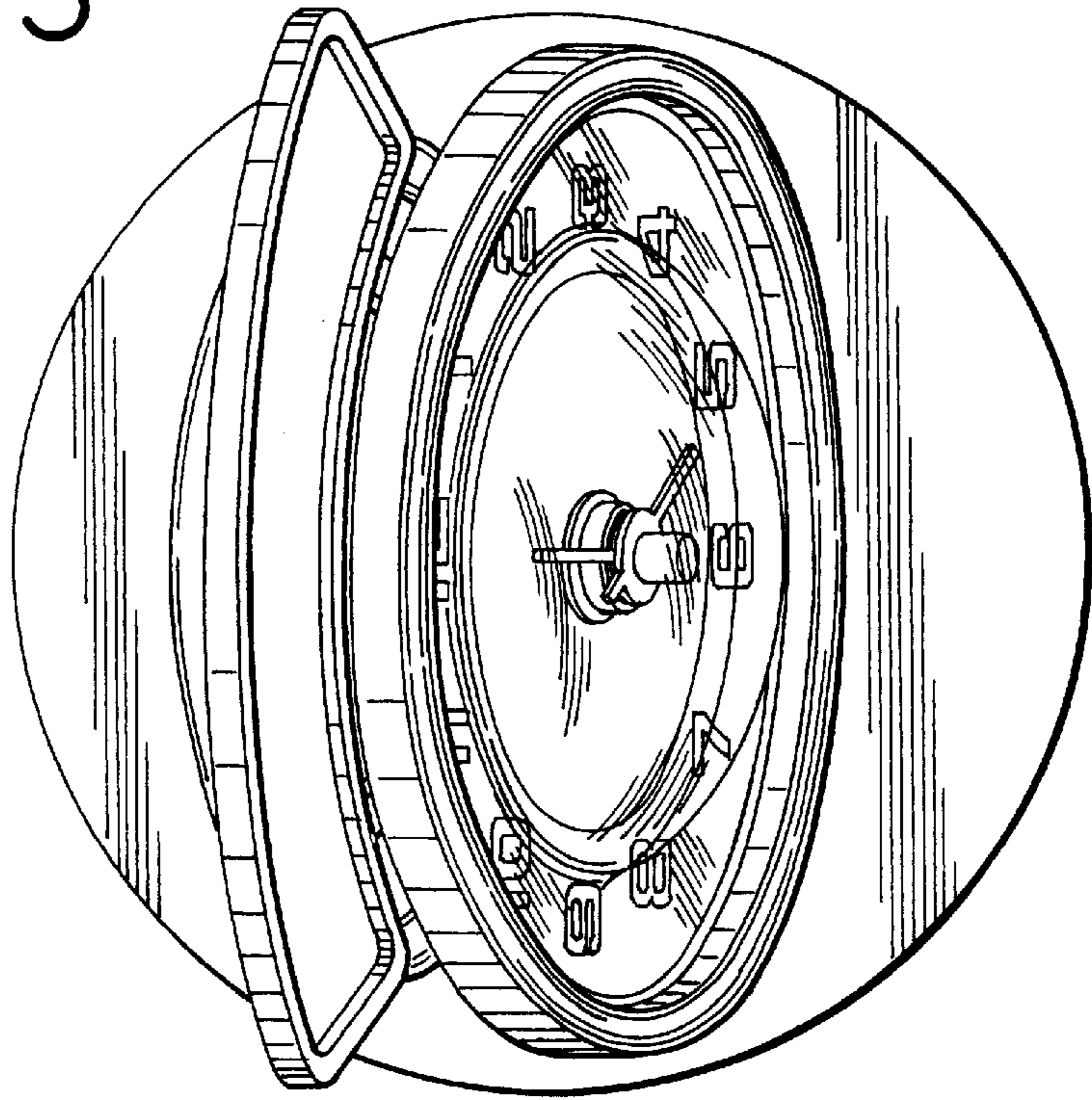


FIG. 6

