



US00D402896S

United States Patent [19] Conrad

[11] Patent Number: Des. 402,896

[45] Date of Patent: **Dec. 22, 1998

[54] OCTAGONAL CONTAINER WITH PINCH GRIP

5,381,910 1/1995 Sugiura .
5,758,790 6/1998 Ewing, Jr. 215/384

[75] Inventor: George A. Conrad, Alpharetta, Ga.

Primary Examiner—Lucy Lieberman
Attorney, Agent, or Firm—Locke Reynolds

[73] Assignee: Ball Corporation, Muncie, Ind.

[57] CLAIM

[**] Term: 14 Years

I claim the ornamental design for an octagonal container with pinch grip, as shown and described.

[21] Appl. No.: 81,189

DESCRIPTION

[22] Filed: Dec. 24, 1997

[51] LOC (6) Cl. 09-01

[52] U.S. Cl. D9/543; D9/520; D9/559

[58] Field of Search D9/543, 540, 541,
D9/542, 559, 530, 520; 215/384, 381-383,
398

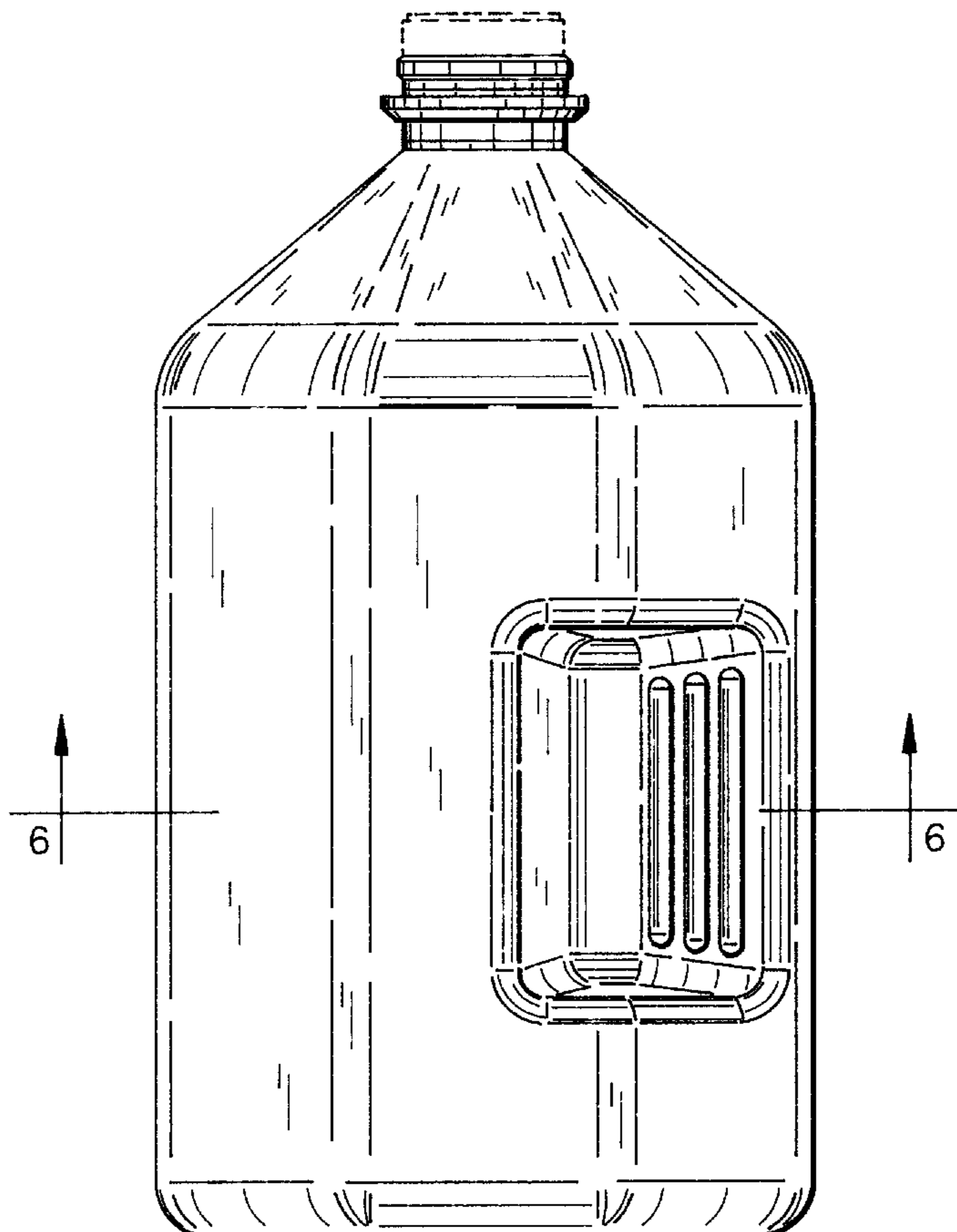
FIG. 1 is a front elevation of an octagonal container with pinch grip in accordance with my design;
FIG. 2 is a bottom plan view of the octagonal with pinch grip shown in FIG. 1;
FIG. 3 is a top plan view of the octagonal container with pinch grip shown in FIG. 1;
FIG. 4 is a rear elevation of the octagonal container with pinch grip shown in FIG. 1;
FIG. 5 is a side elevation of the octagonal container with pinch grip as seen from the right side of FIG. 1, the left side elevation is a mirror image thereto; and,
FIG. 6 is a sectional view of the octagonal container with pinch grip shown in FIG. 5 taken along line 6-6.
The broken lines showing the neck finish in FIG. 1, 4 and 5 are for illustrative purposes only and do not form part of the claimed design.

[56] References Cited

U.S. PATENT DOCUMENTS

D. 277,551	2/1985	Kerr	D9/543
D. 282,349	1/1986	Larson et al.	D9/540
D. 306,399	3/1990	Rumney	D9/559
D. 318,422	7/1991	Rumney	D9/559
D. 318,798	8/1991	Biesecker	D9/540
D. 382,807	8/1997	Silvers et al.	D9/543
5,148,930	9/1992	Ota et al.	.	
5,165,557	11/1992	Ota et al.	.	
5,238,129	8/1993	Ota	.	

1 Claim, 3 Drawing Sheets



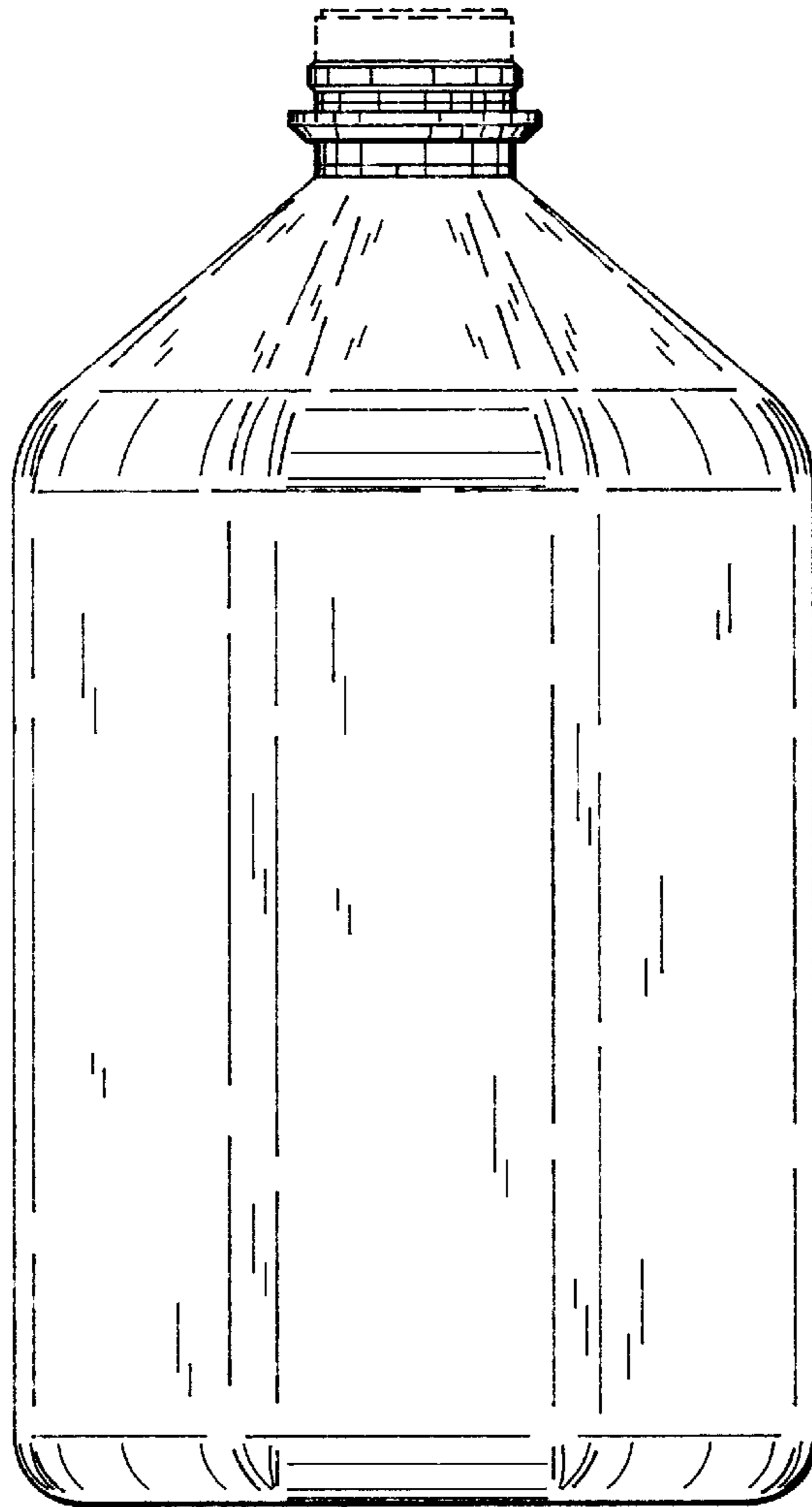


FIG. 1

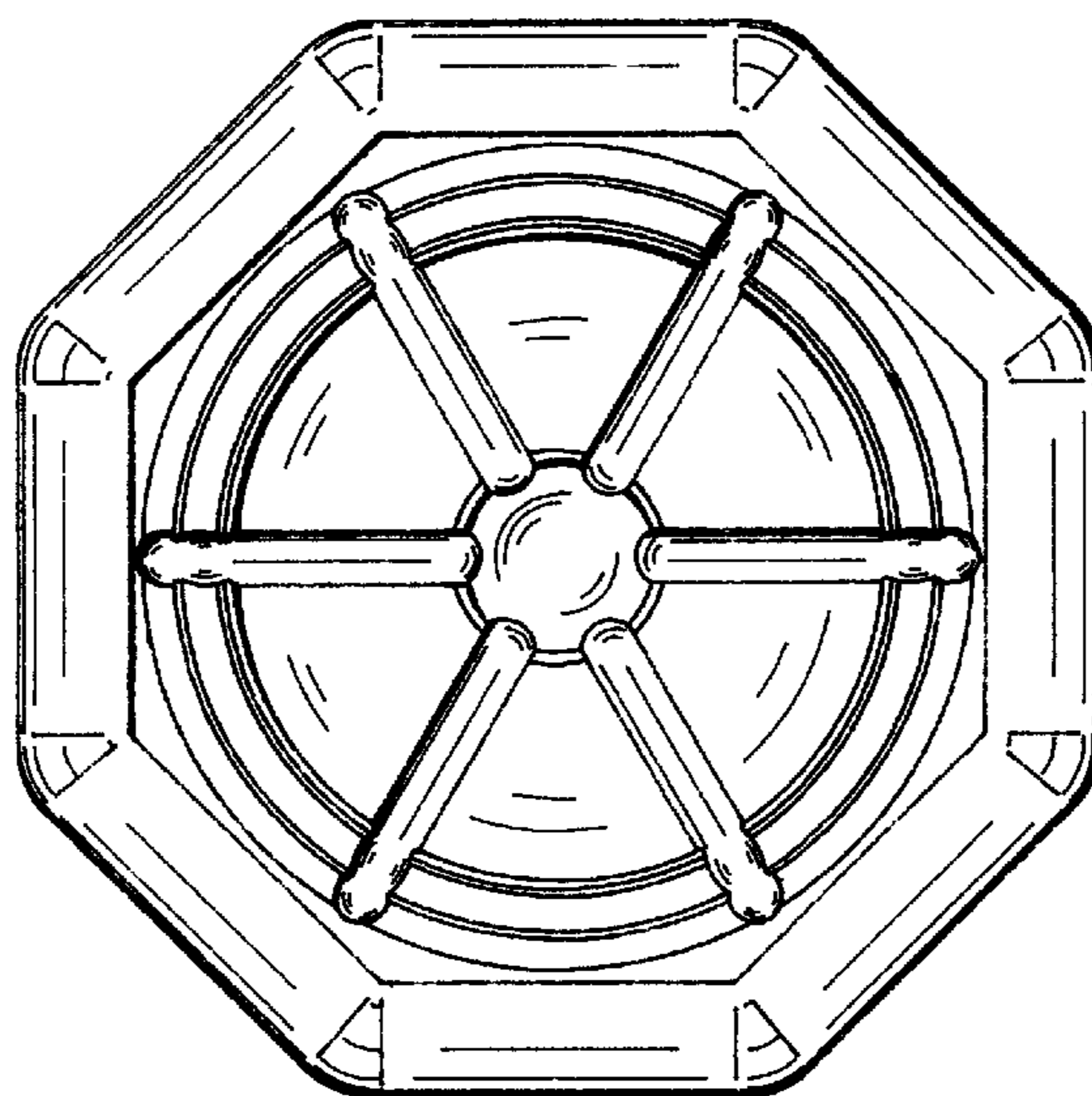


FIG. 2

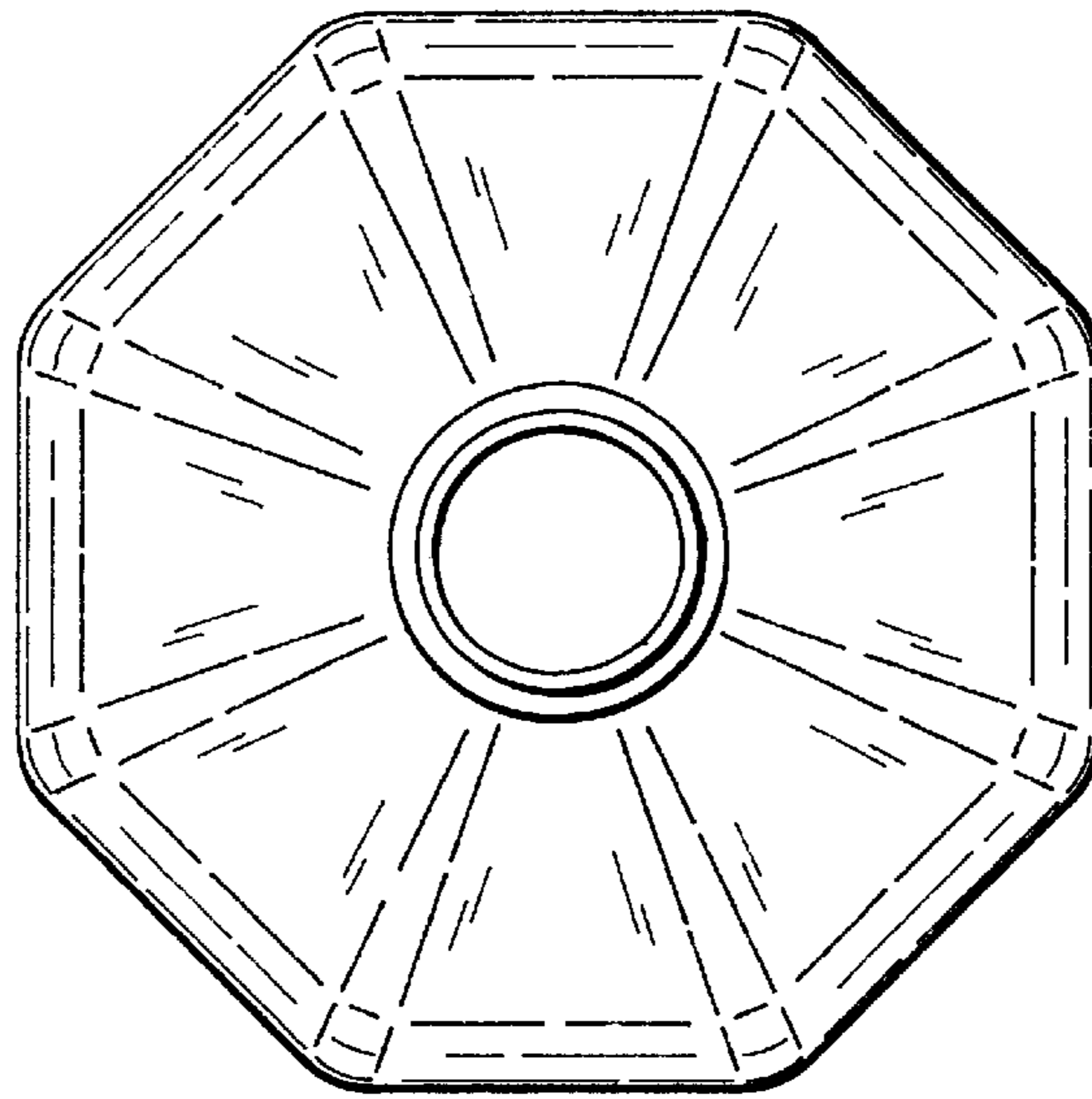


FIG. 3

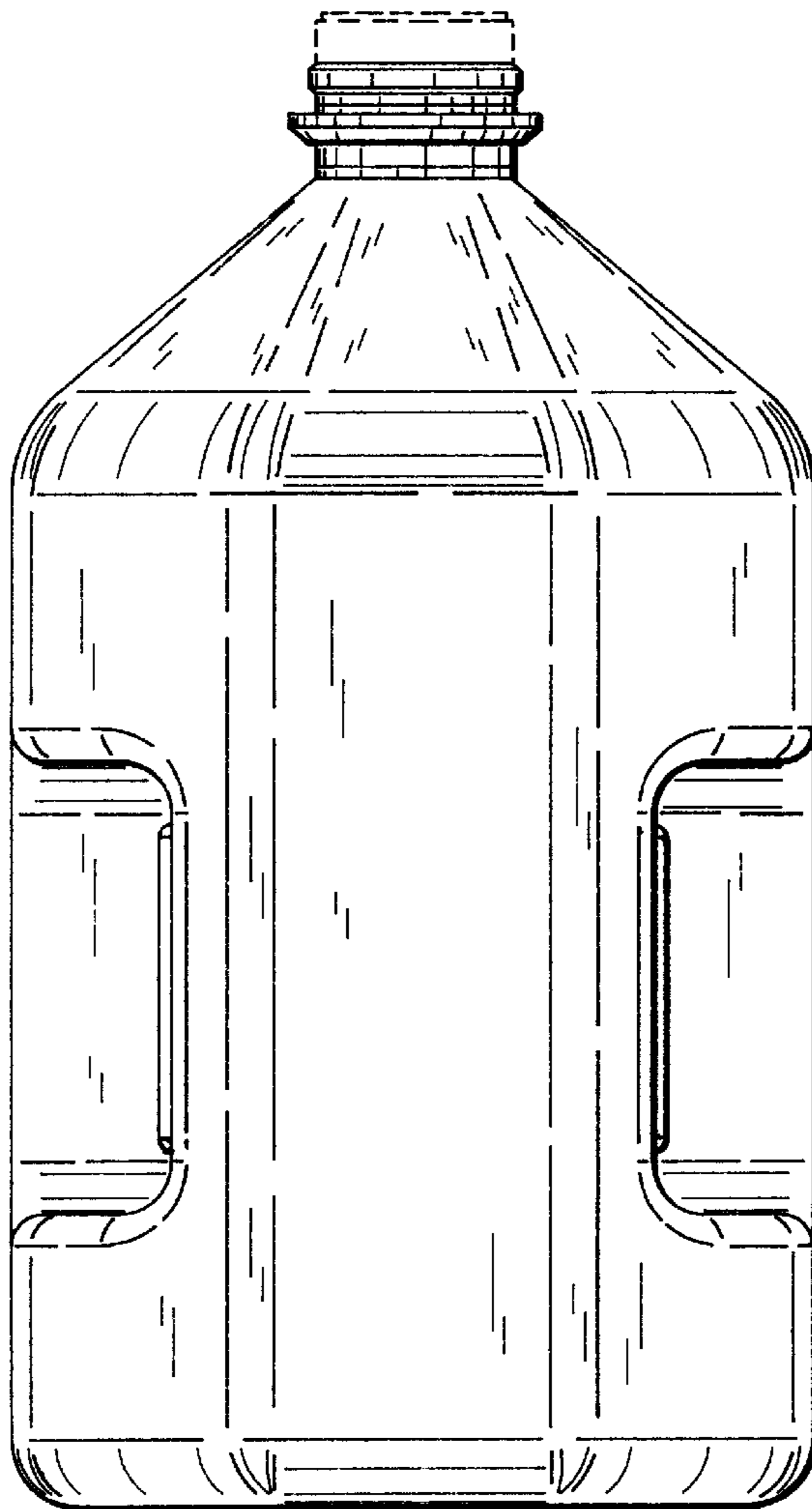


FIG. 4

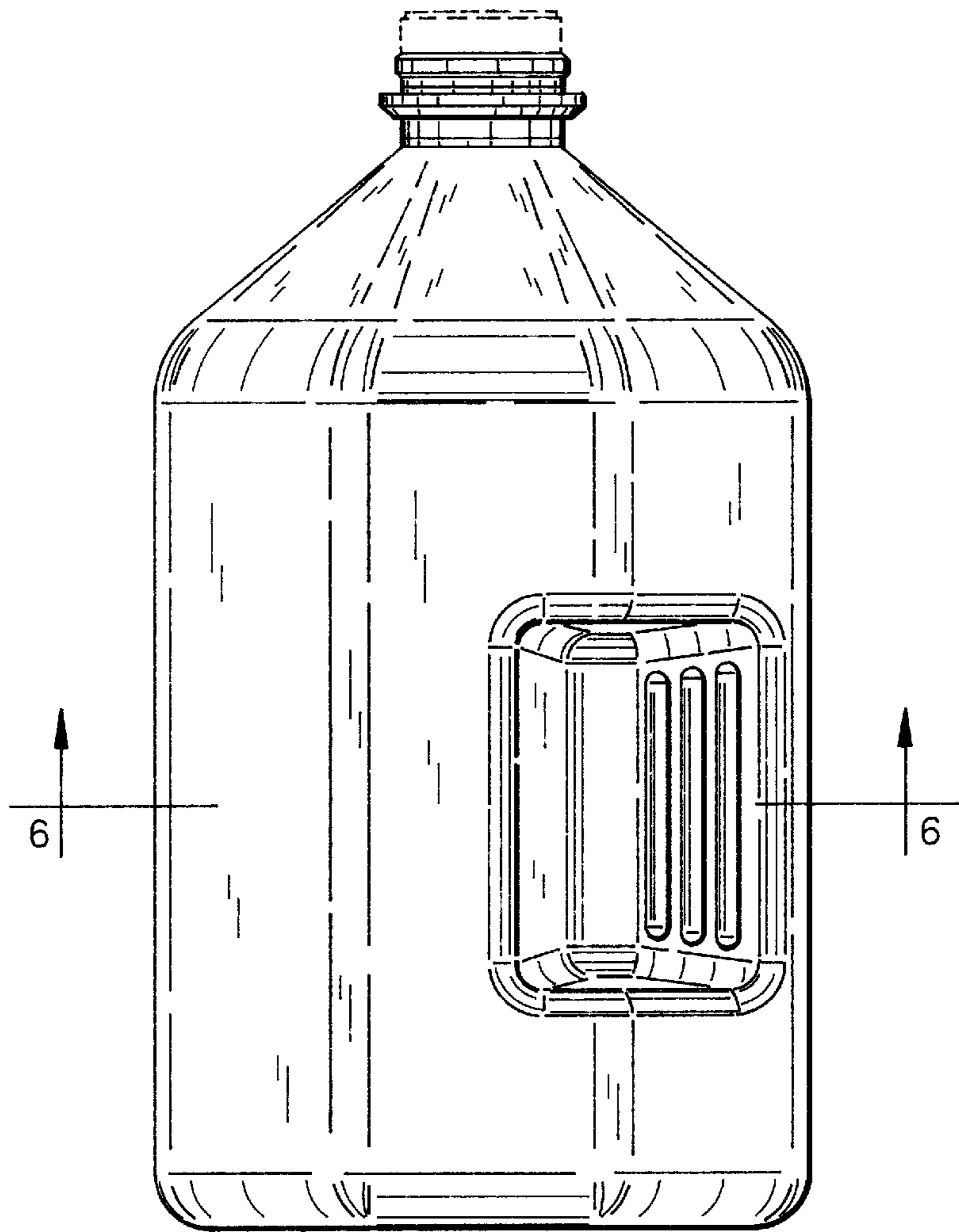


FIG. 5

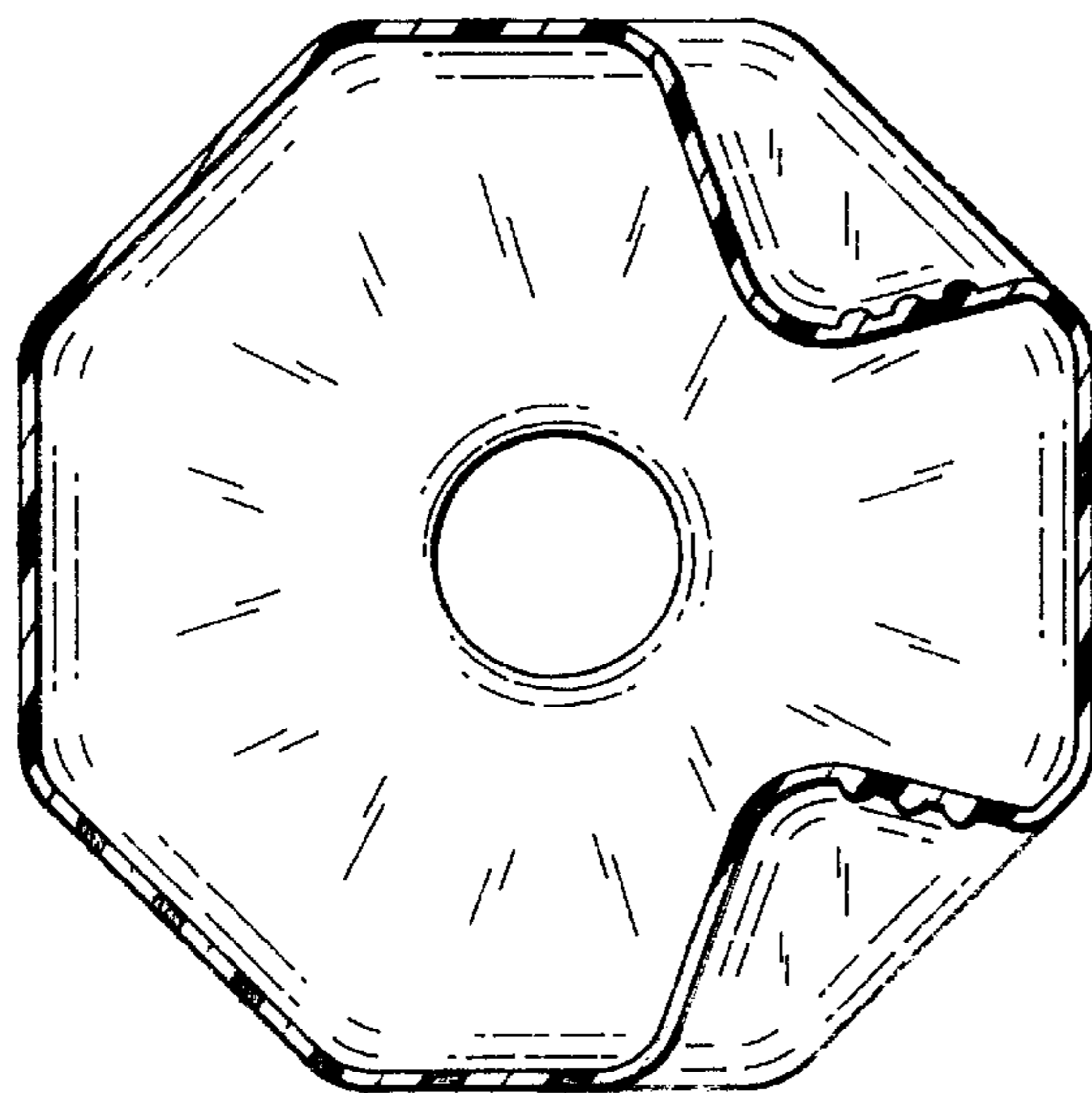


FIG. 6