



US00D402895S

United States Patent [19]

[11] Patent Number: **Des. 402,895**

Takahashi et al.

[45] Date of Patent: ****Dec. 22, 1998**

[54] CONTAINER WITH HANDLE

[75] Inventors: **Tetsuo Takahashi**, Soka; **Hiroaki Sugiura**, Hachioji, both of Japan

[73] Assignees: **Yoshino Kogyosho Co., Ltd.**, Tokyo, Japan; **Ocean Spray Cranberries, Inc.**, Lakeville-Middleboro, Mass.

[**] Term: **14 Years**

[21] Appl. No.: **68,332**

[22] Filed: **Apr. 3, 1997**

[51] LOC (6) Cl. **09-01**

[52] U.S. Cl. **D9/520; D9/531; D9/553**

[58] Field of Search **D9/531, 520, 455, D9/434, 537-543, 528, 553, 503, 500; 215/385, 398, 396, 381-384, 370-375**

[56] **References Cited**

U.S. PATENT DOCUMENTS

D. 197,812	3/1964	Worthington	D9/531
D. 199,590	11/1964	Sarafan	D9/531
3,140,329	7/1964	Nutting	.	
4,257,525	3/1981	Thompson	.	
4,273,246	6/1981	Thompson	.	
4,281,770	8/1981	Rainville	.	
4,363,415	12/1982	Rainville	.	
4,629,598	12/1986	Thompson	.	
4,727,997	3/1988	Nakamura et al.	.	
4,909,978	3/1990	Hasegawa et al.	.	
4,915,241	4/1990	Morimura et al.	.	
4,952,133	8/1990	Hasegawa et al.	.	
4,964,522	10/1990	Umetsu et al.	.	
5,092,476	3/1992	Yasuda et al.	215/398
5,167,970	12/1992	Yoshino et al.	215/398 X
5,297,686	3/1994	Takeuchi	.	

5,338,503	8/1994	Yanigisawa et al.	.	
5,407,086	4/1995	Ota et al.	215/383
5,469,612	11/1995	Collette et al.	.	
5,535,901	7/1996	Ishii et al.	215/398 X
5,560,506	10/1996	Yanigisawa	.	
5,637,167	6/1997	Krishnakumar et al.	215/396 X

FOREIGN PATENT DOCUMENTS

650900-A1	5/1995	European Pat. Off.	.
889343	2/1962	United Kingdom	.

Primary Examiner—Lucy Lieberman
Attorney, Agent, or Firm—Oliff & Berridge, PLC

[57] CLAIM

The ornamental design for container with handle, as shown and described.

DESCRIPTION

FIG. 1 is a right side elevation of a container with handle showing our new design, the left side elevation is a mirror image thereto except for the conventional screw threading on the neck;

FIG. 2 is a front view thereof;

FIG. 3 is a rear view thereof;

FIG. 4 is a top view thereof;

FIG. 5 is a bottom view thereof;

FIG. 6 is a side view of the handle of FIG. 1 without the container, the opposite side view being a mirror image;

FIG. 7 is a rear view thereof;

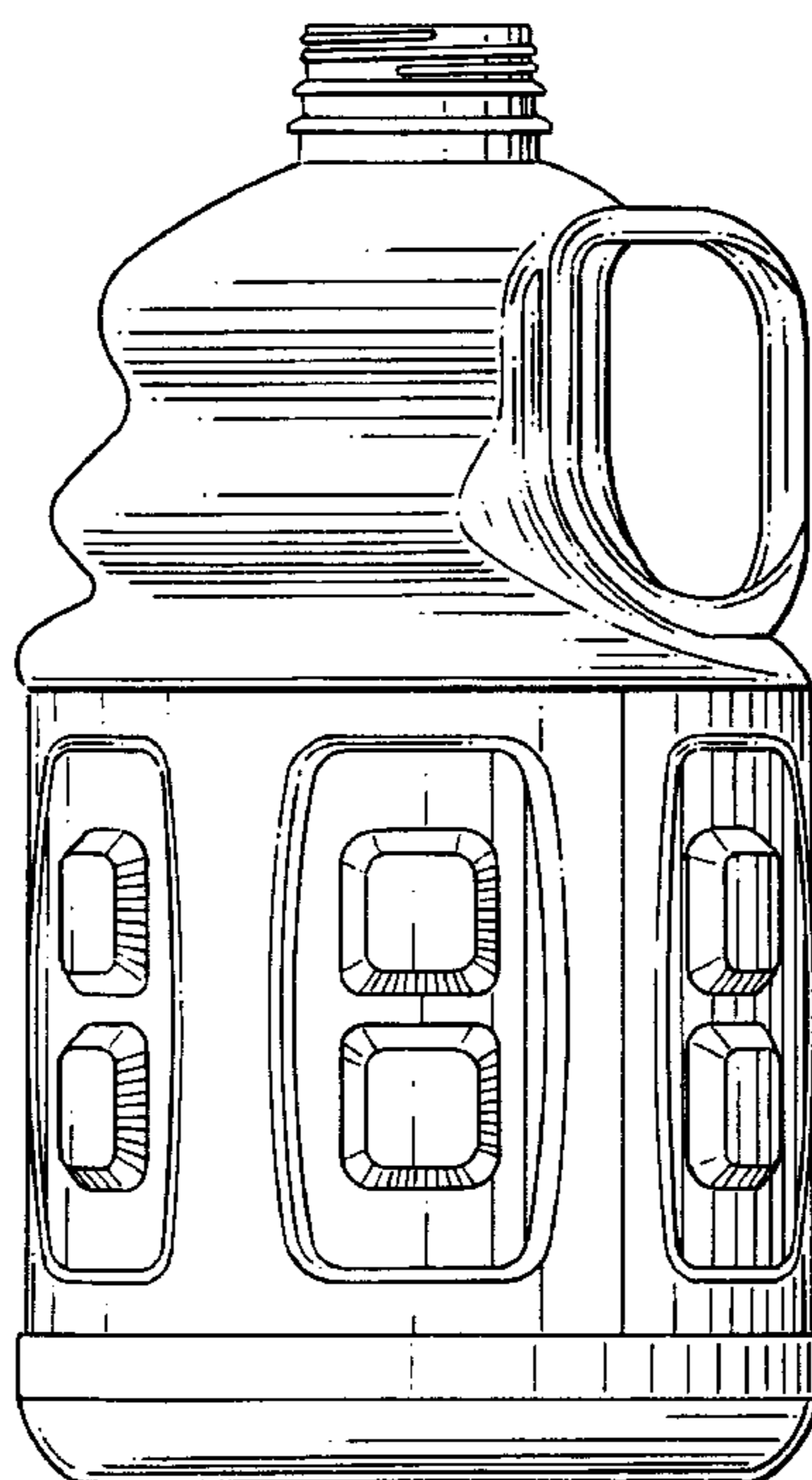
FIG. 8 is a front view thereof;

FIG. 9 is a top view thereof; and,

FIG. 10 is a bottom view thereof.

The handle is shown separately in FIGS. 6-10 for clarity of illustration.

1 Claim, 4 Drawing Sheets



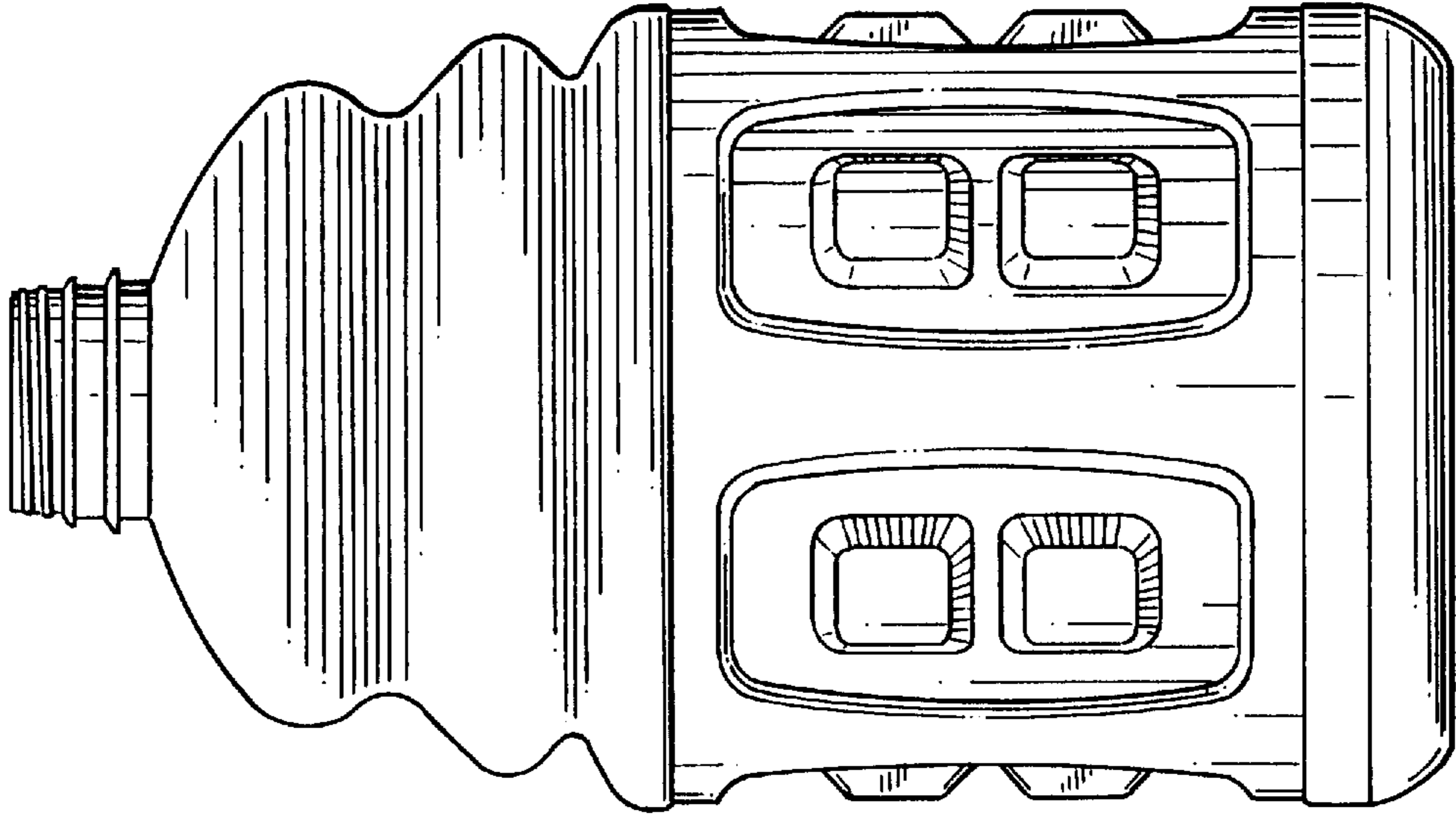


FIG. 2

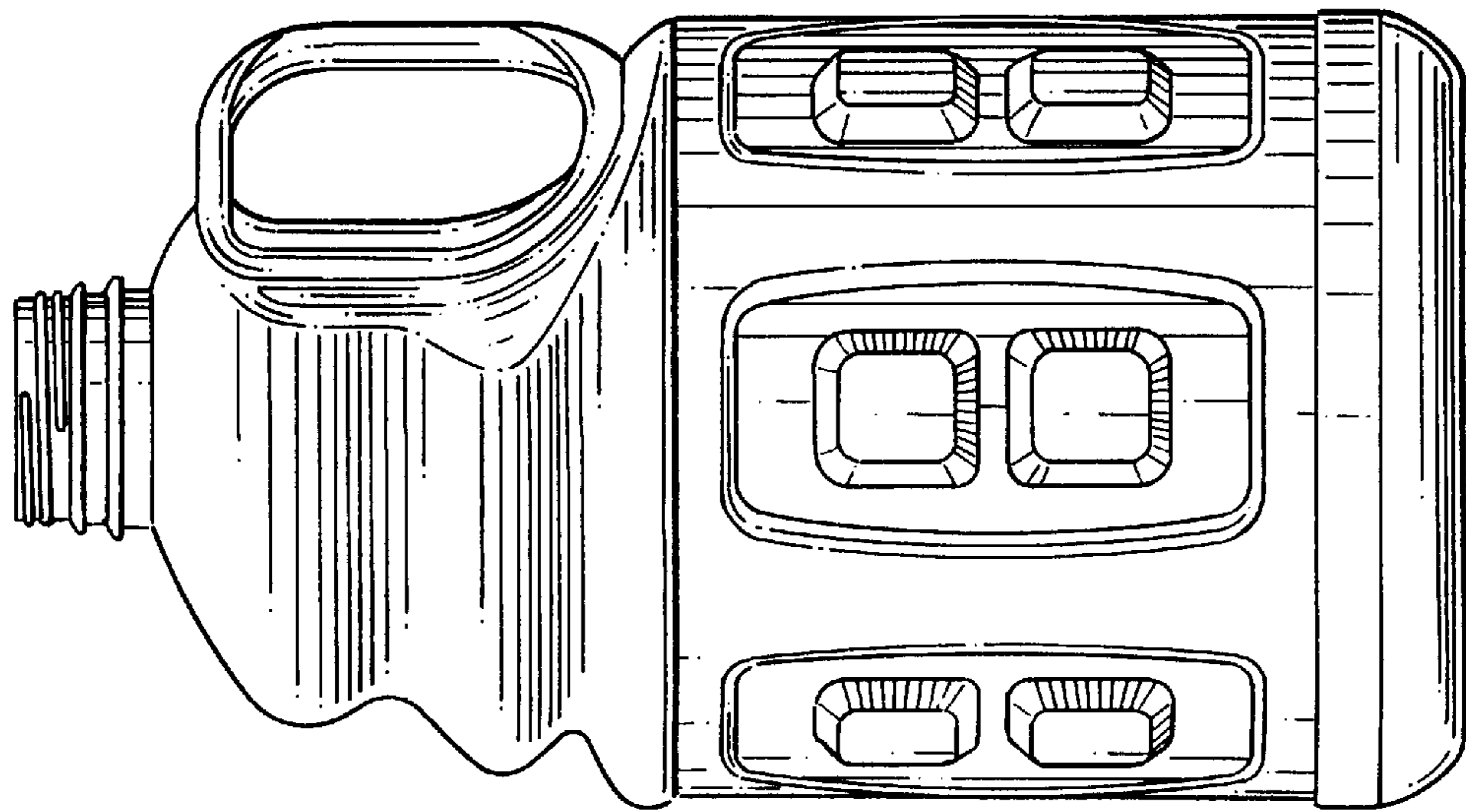


FIG. 1

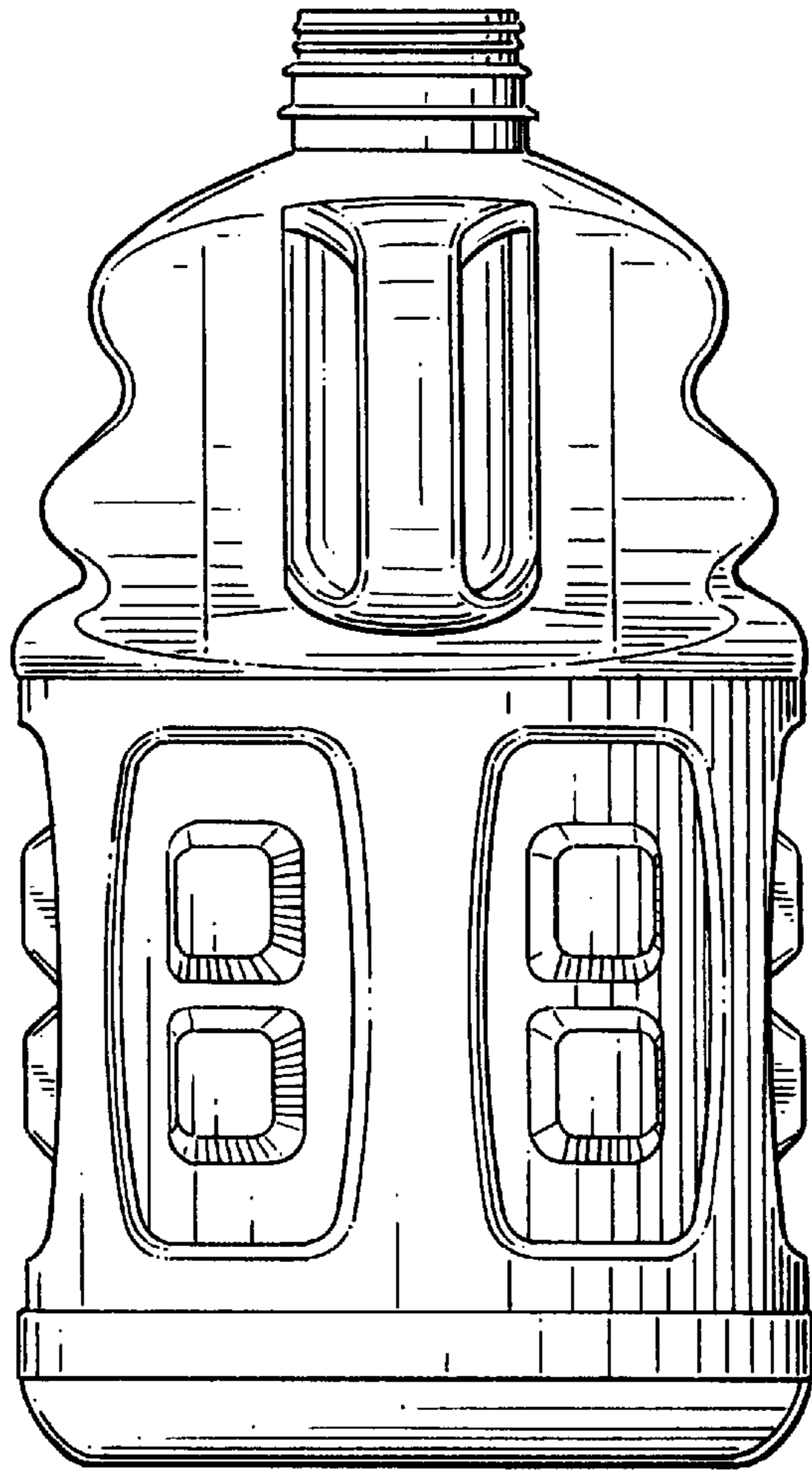


FIG. 3

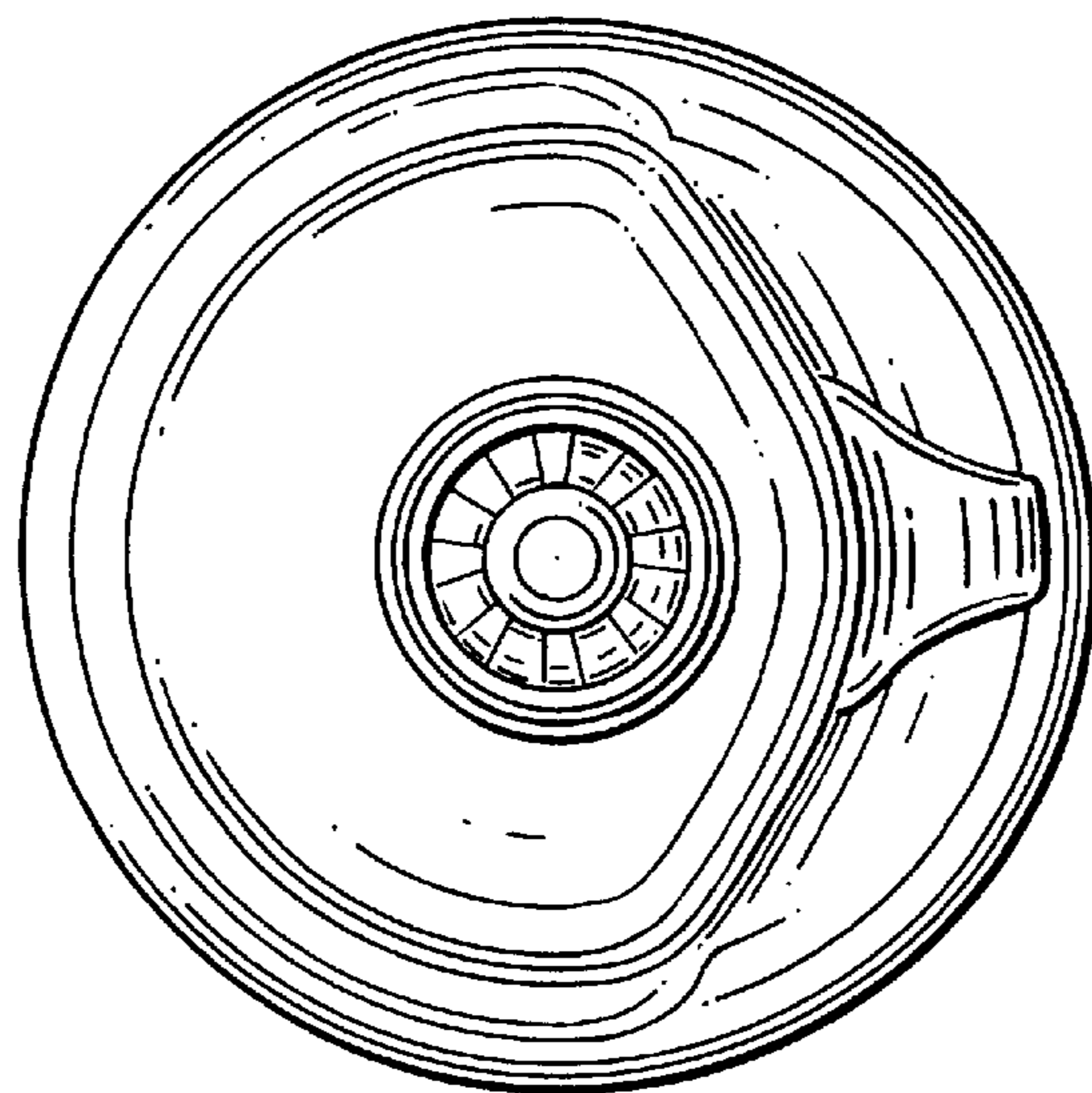


FIG. 4

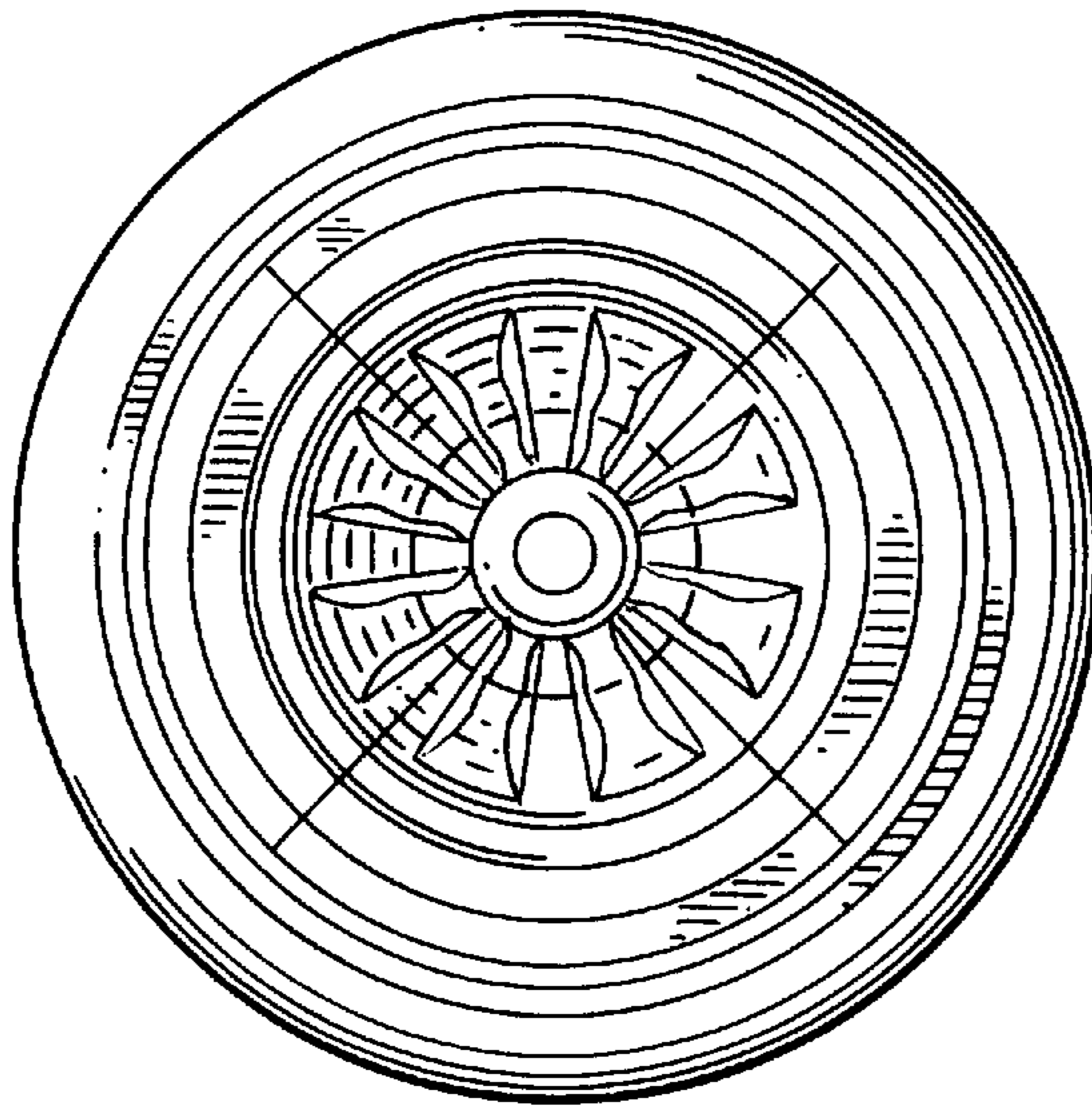


FIG. 5

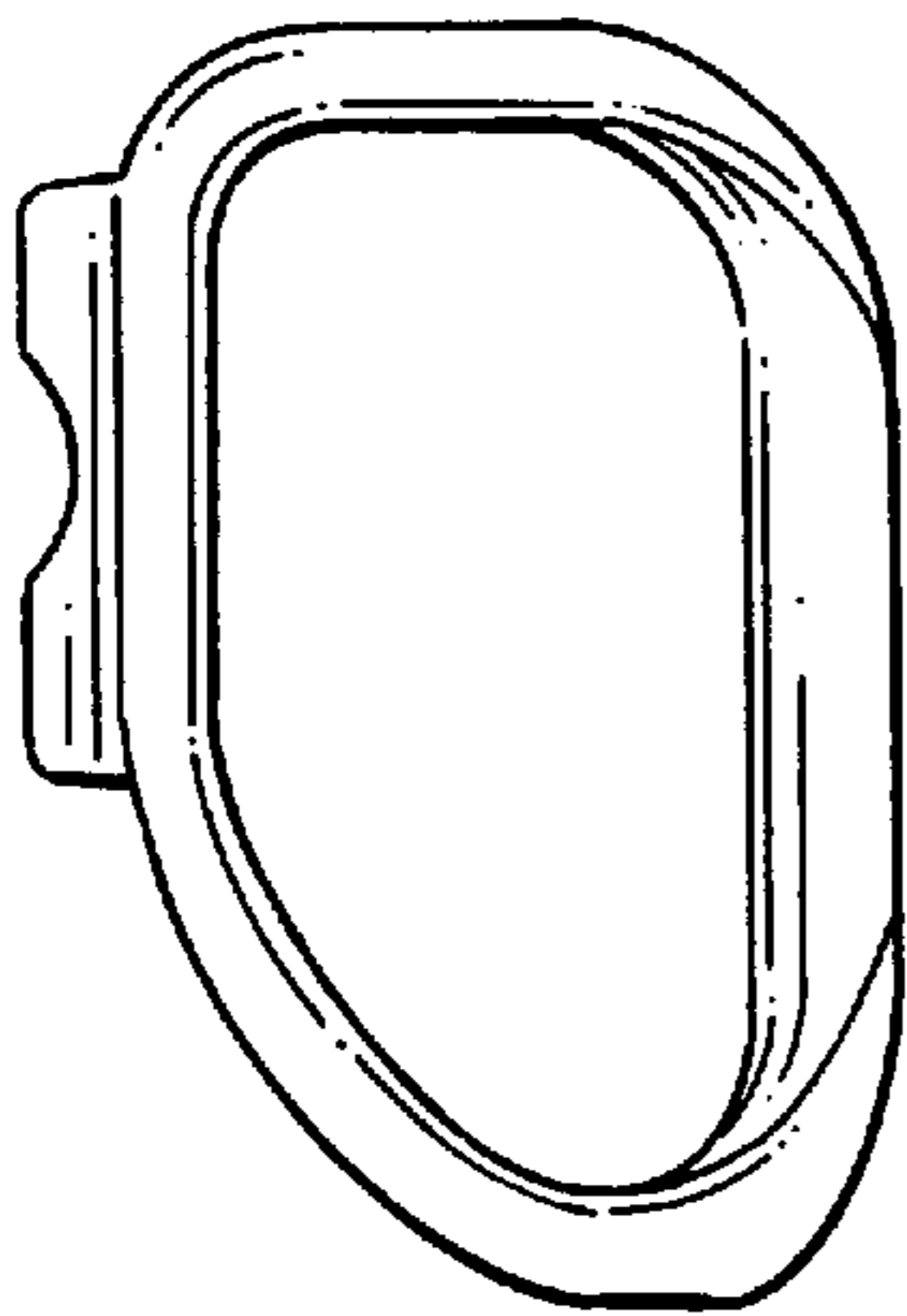


FIG. 6

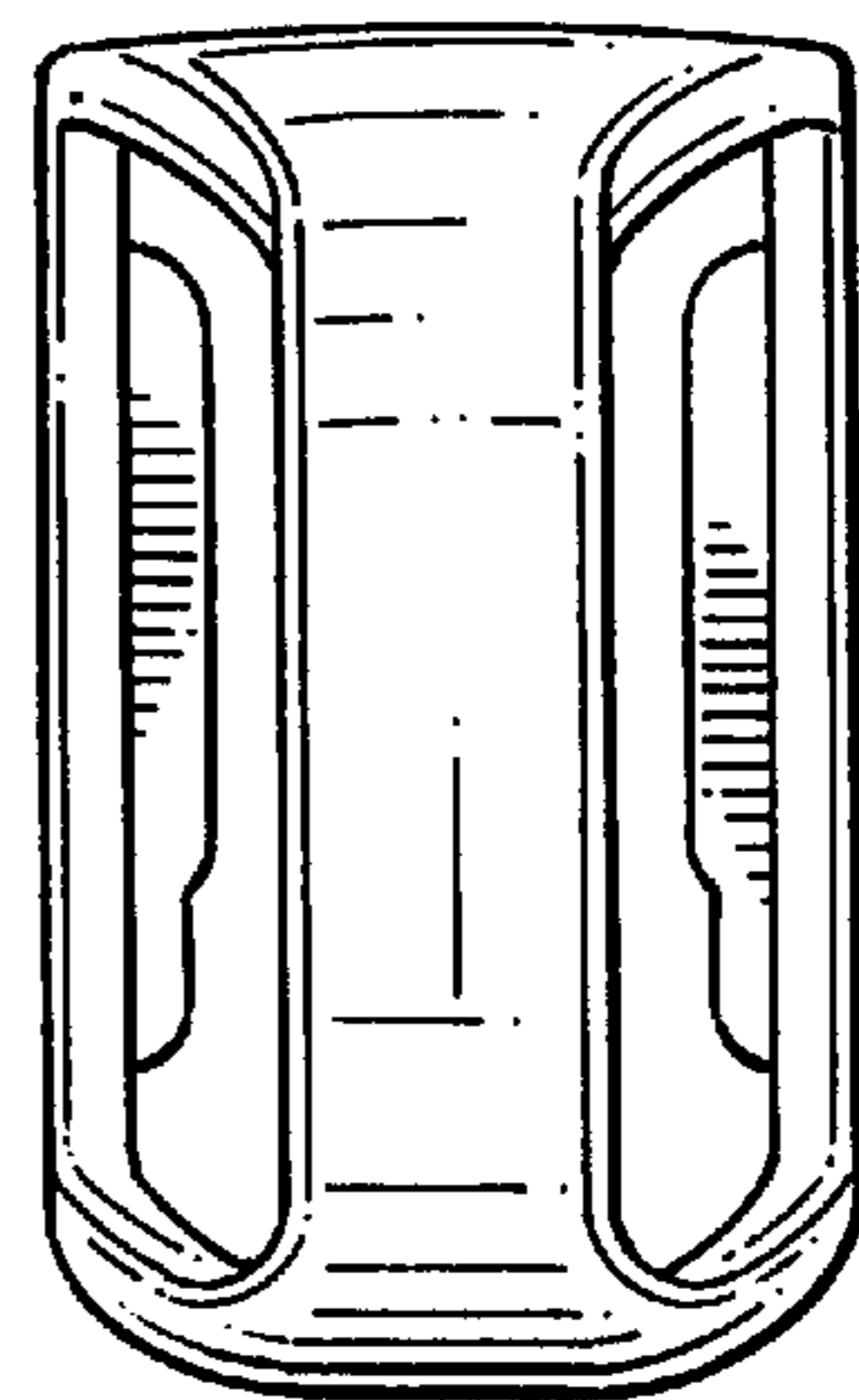


FIG. 7

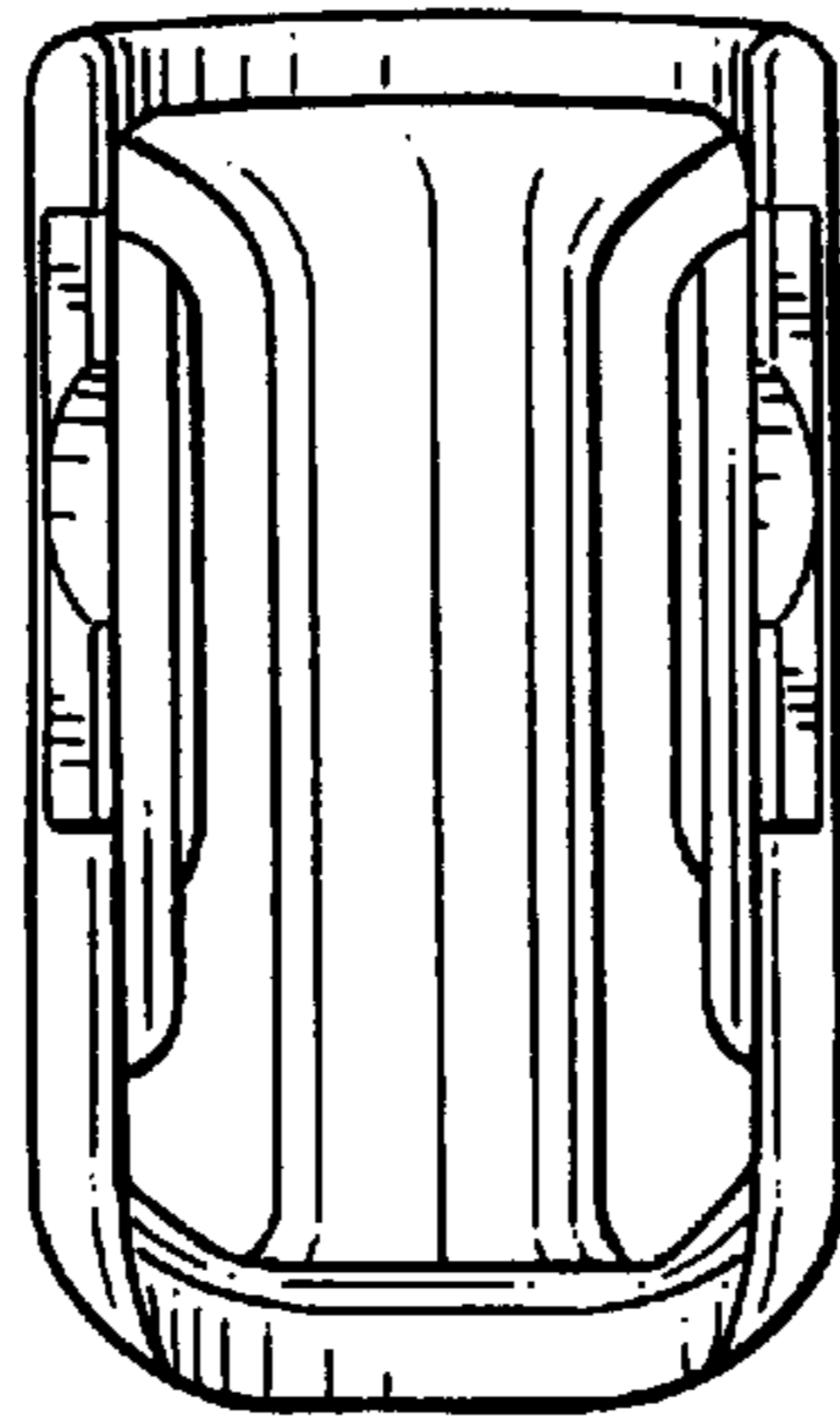


FIG. 8

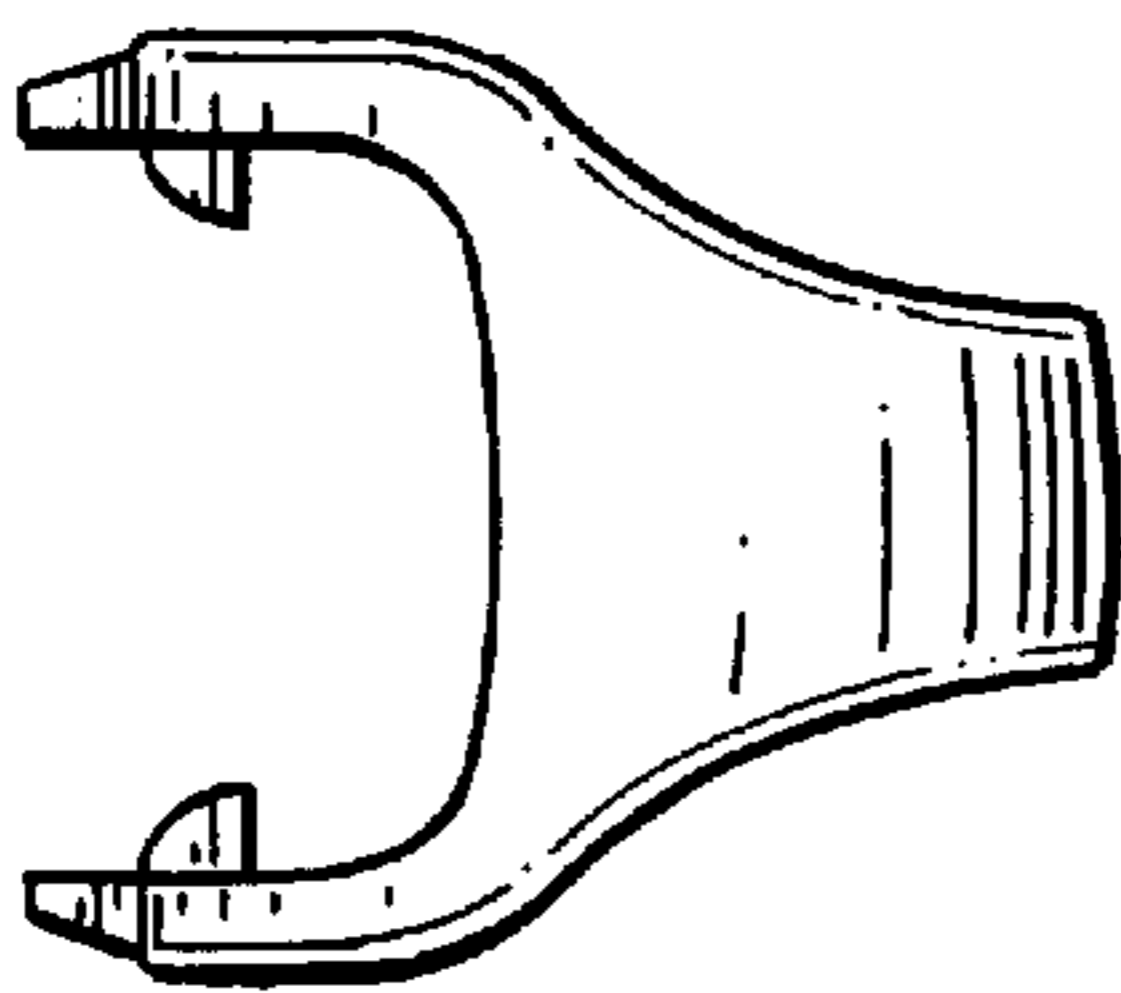


FIG. 9

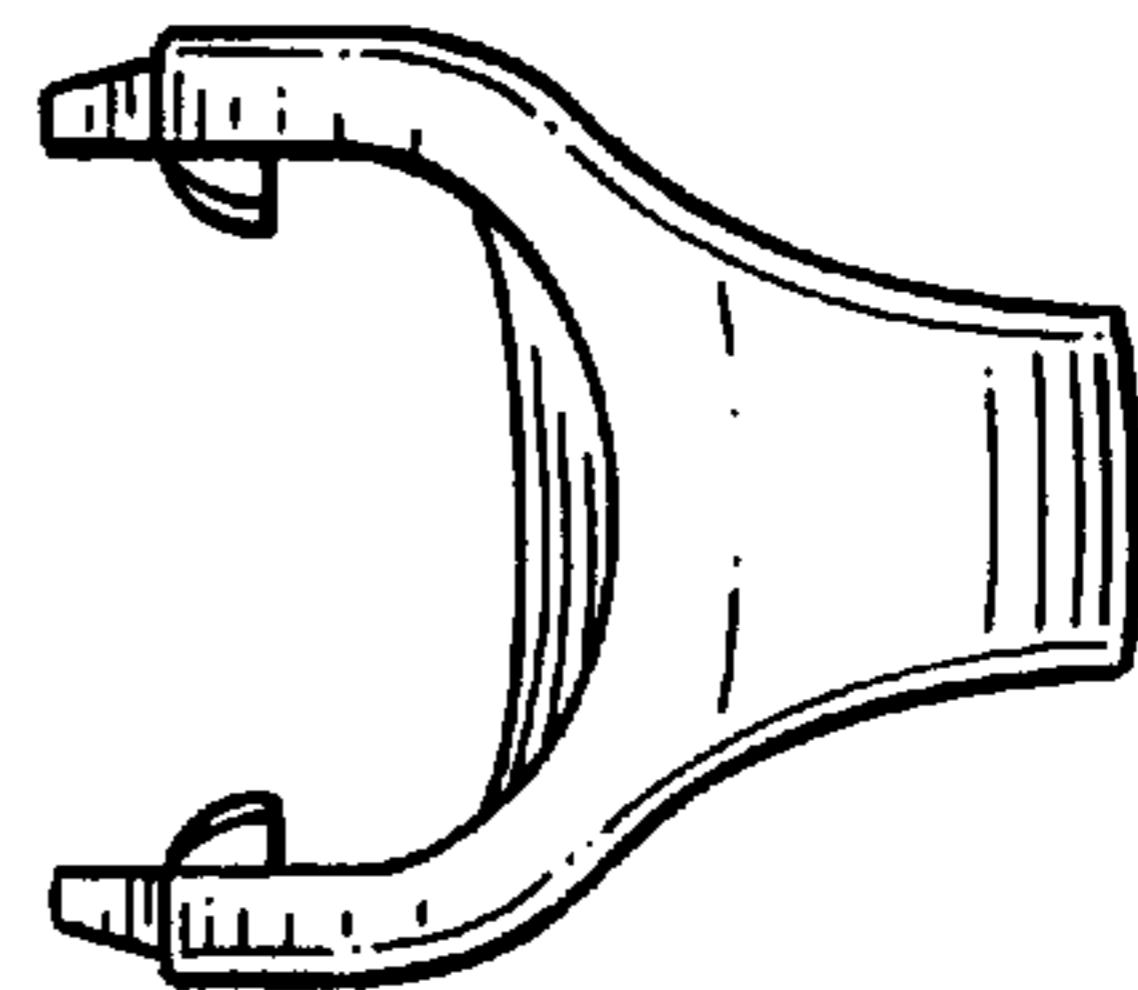


FIG. 10