



US00D402882S

United States Patent [19] McBain

[11] **Patent Number: Des. 402,882**

[45] **Date of Patent: **Dec. 22, 1998**

[54] **LINE SPOOL HOLDER**

D. 218,177 7/1970 Rogers D8/358

[75] Inventor: **Jeff S. McBain**, Brookfield, Wis.

Primary Examiner—Holly Baynham
Attorney, Agent, or Firm—Andrus, Scales, Starke & Sawall

[73] Assignee: **Hempe Manufacturing Co., Inc.**, New Berlin, Wis.

[**] Term: **14 Years**

[57] **CLAIM**

The ornamental design for a line spool holder, as shown and described.

[21] Appl. No.: **70,596**

[22] Filed: **May 12, 1997**

DESCRIPTION

[51] **LOC (6) Cl.** **08-05**

[52] **U.S. Cl.** **D8/358**

[58] **Field of Search** D8/358, 356; 242/395,
242/405.3, 128-129, 597.8; 244/155 R;
D22/134

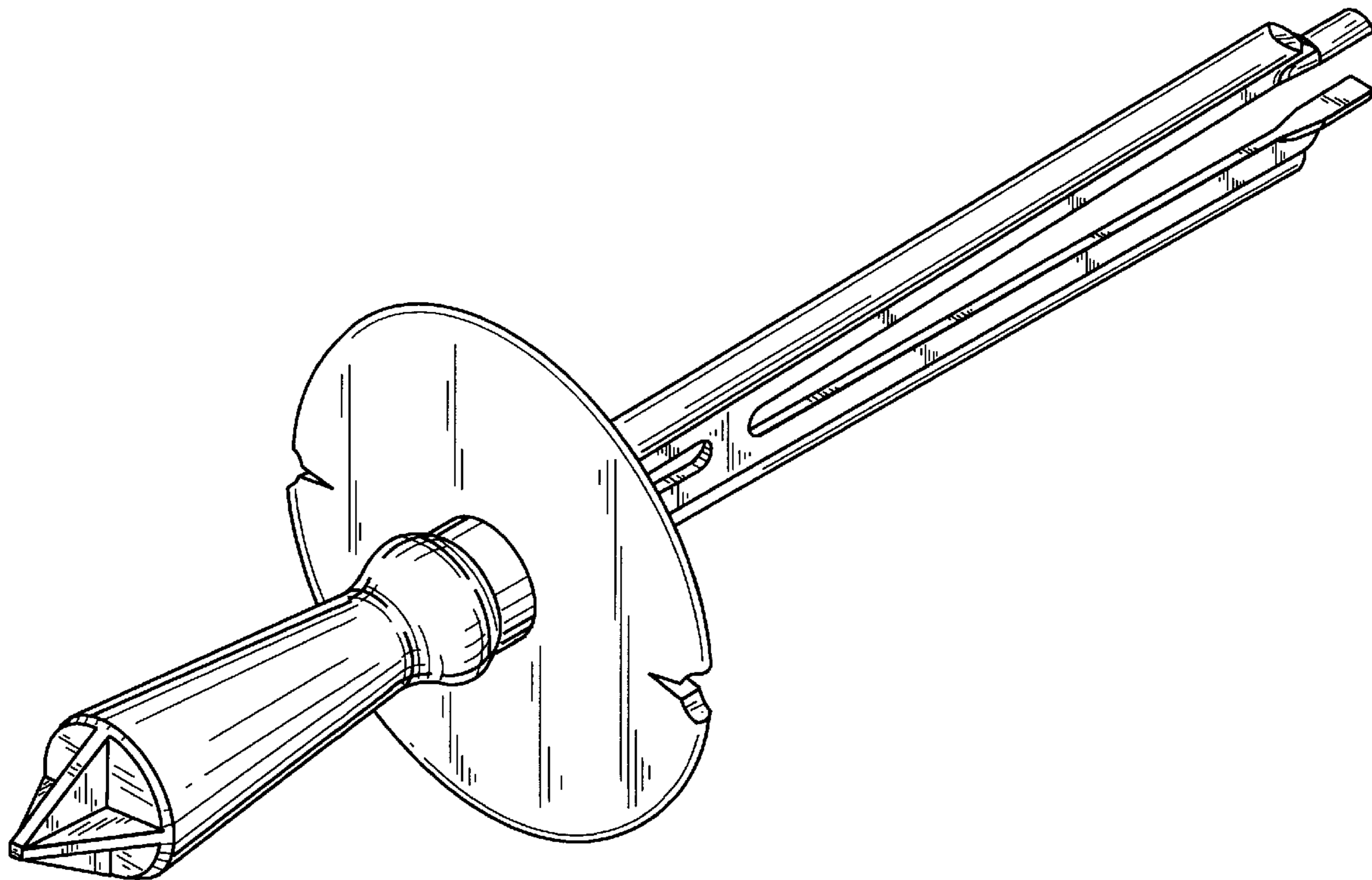
FIG. 1 is a perspective view of a line spool holder showing my new design;
FIG. 2 is a right side elevational view thereof, the left side elevational view being identical;
FIG. 3 is a top plan view thereof, the bottom plan view being identical;
FIG. 4 is a left end view thereof; and,
FIG. 5 is a right end view thereof.

[56] **References Cited**

U.S. PATENT DOCUMENTS

D. 215,952 11/1969 Michaels D89/358

1 Claim, 2 Drawing Sheets



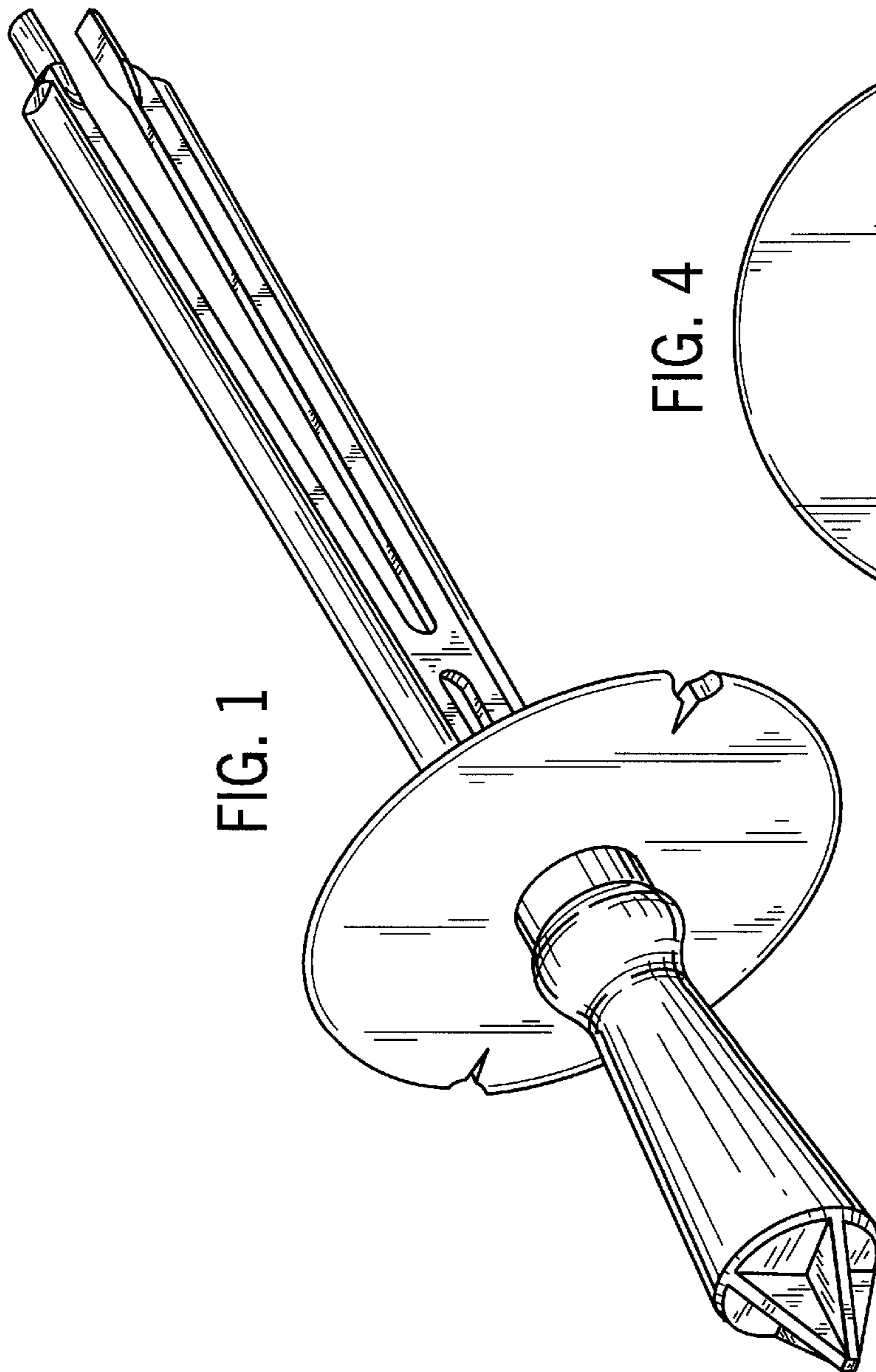


FIG. 1

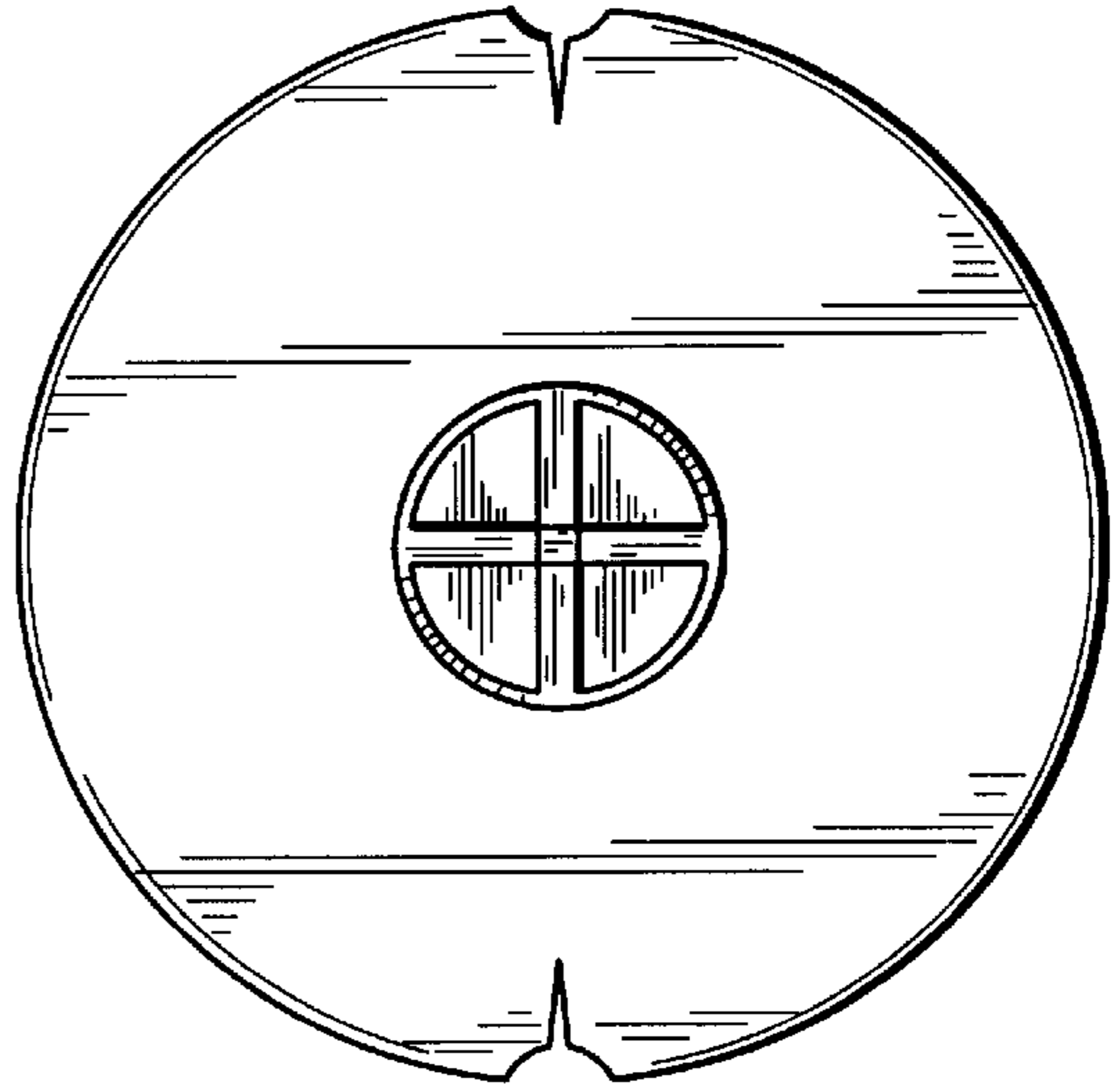


FIG. 4

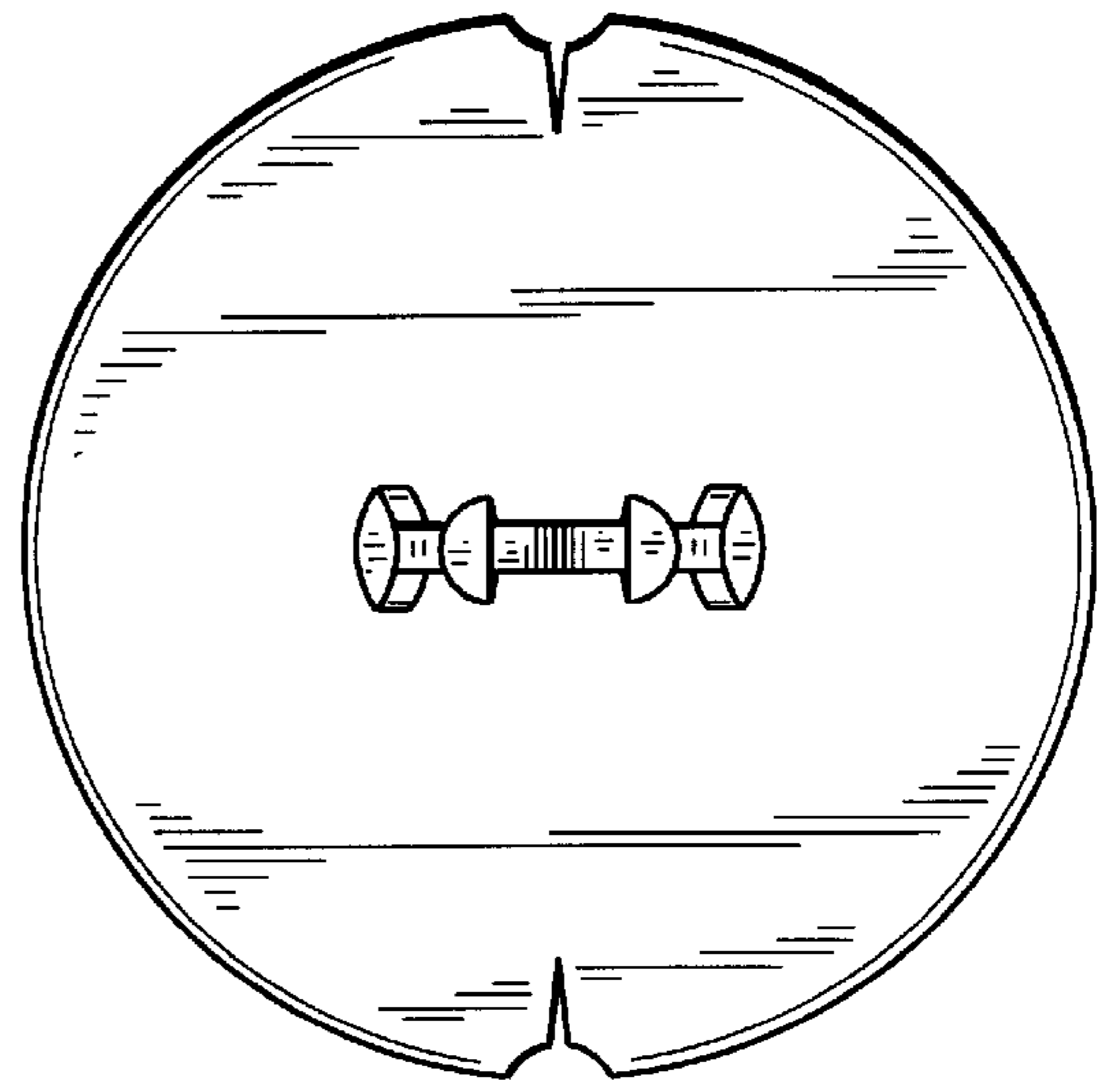


FIG. 5

