



US00D402881S

**United States Patent** [19]  
**Fischer**

[11] **Patent Number: Des. 402,881**

[45] **Date of Patent: \*\*Dec. 22, 1998**

[54] **SOCKET FOR BRACKET ASSEMBLY**

D. 370,402 6/1996 Anand et al. .... D8/354

[76] Inventor: **Roy Fischer**, 7641 E. Gray Rd.,  
Scottsdale, Ariz. 85260

*Primary Examiner*—Holly Baynham  
*Attorney, Agent, or Firm*—Gregory J. Nelson

[\*\*] Term: **14 Years**

[57] **CLAIM**

[21] Appl. No.: **71,764**

I claim the ornamental design for a socket for bracket assembly, as shown and described.

[22] Filed: **Jun. 6, 1997**

**DESCRIPTION**

[51] **LOC (6) Cl.** ..... **08-05**

[52] **U.S. Cl.** ..... **D8/354**

[58] **Field of Search** ..... D8/349, 354; 248/309.3,  
248/206.3, 279.1, 442.2, 918; 16/352

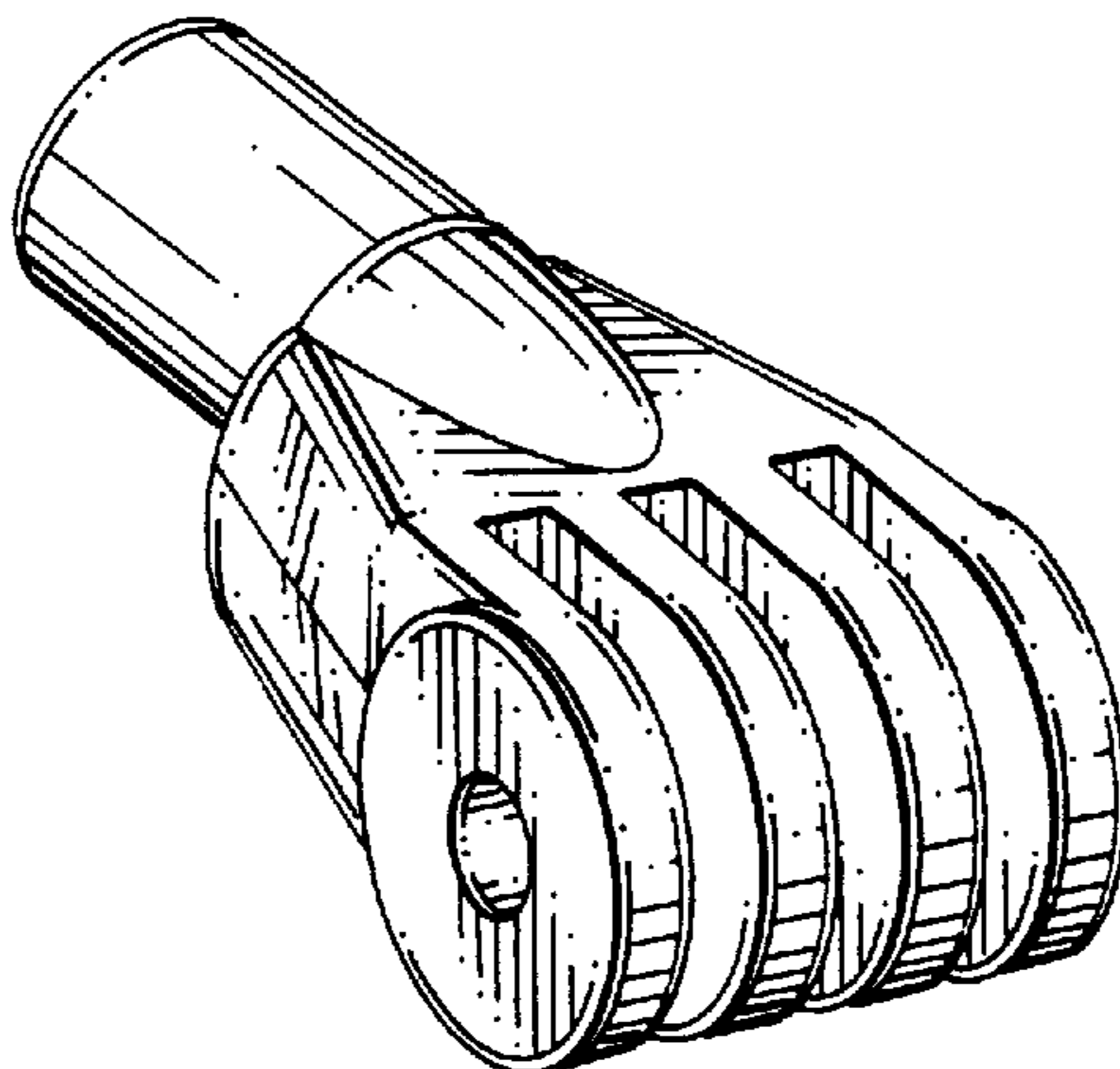
FIG. 1 is a perspective view showing the socket for bracket assembly of my new design;  
FIG. 2 is a top view thereof;  
FIG. 3 is a bottom view thereof;  
FIG. 4 is side view thereof;  
FIG. 5 is a front view thereof; and,  
FIG. 6 is a rear view thereof.

[56] **References Cited**

**U.S. PATENT DOCUMENTS**

D. 367,477 2/1996 Rosen ..... D8/354

**1 Claim, 1 Drawing Sheet**



D402881

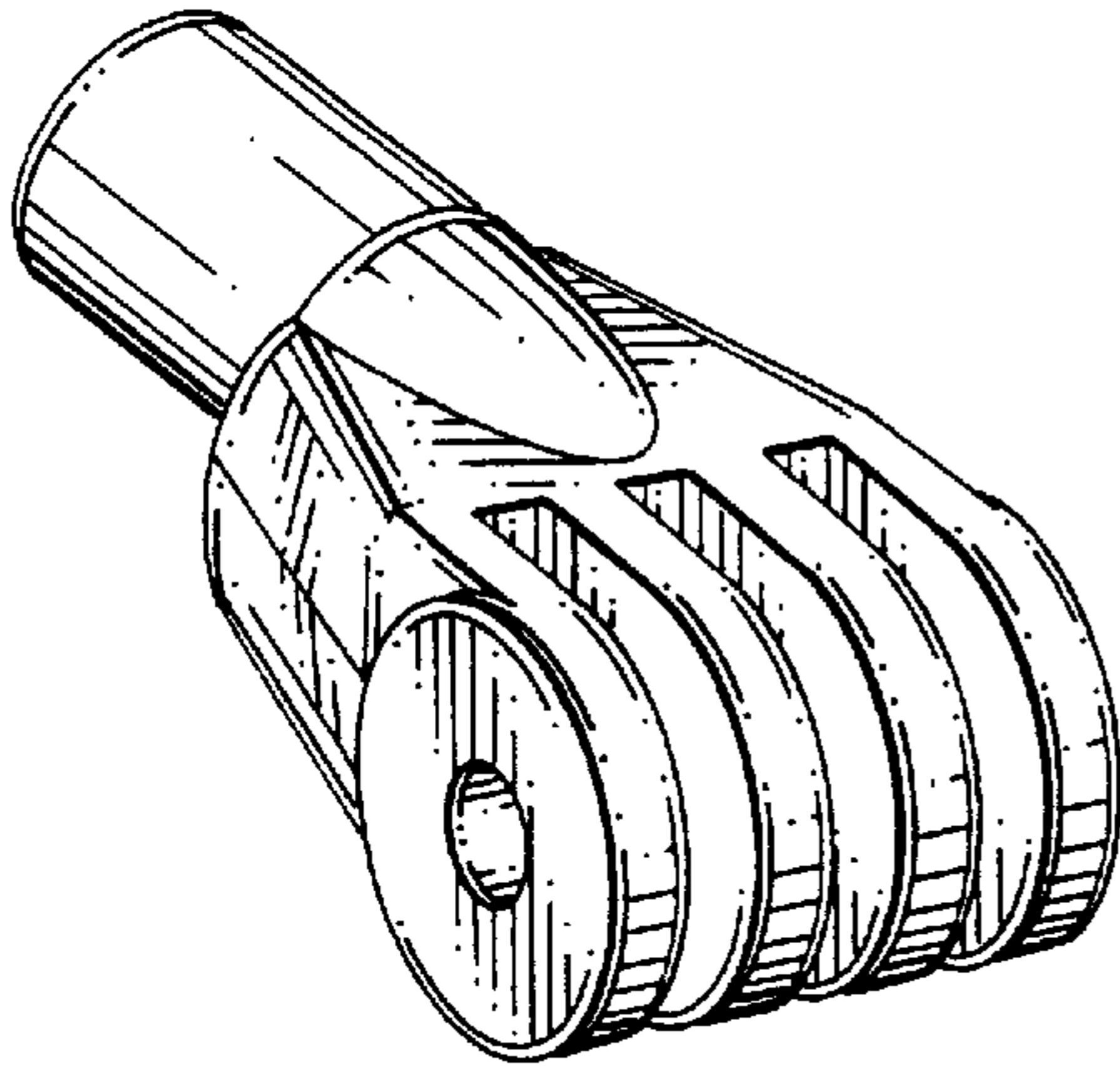


FIG. 1

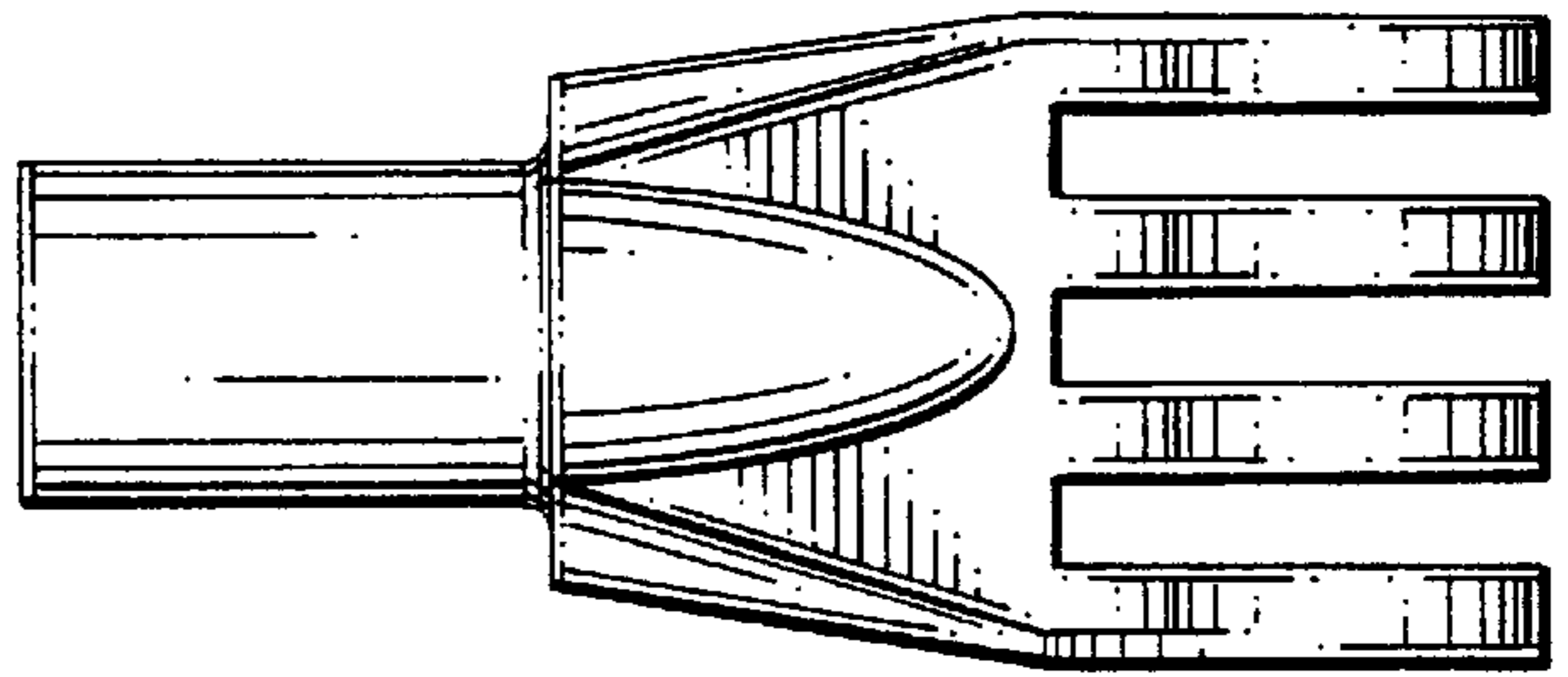


FIG. 2

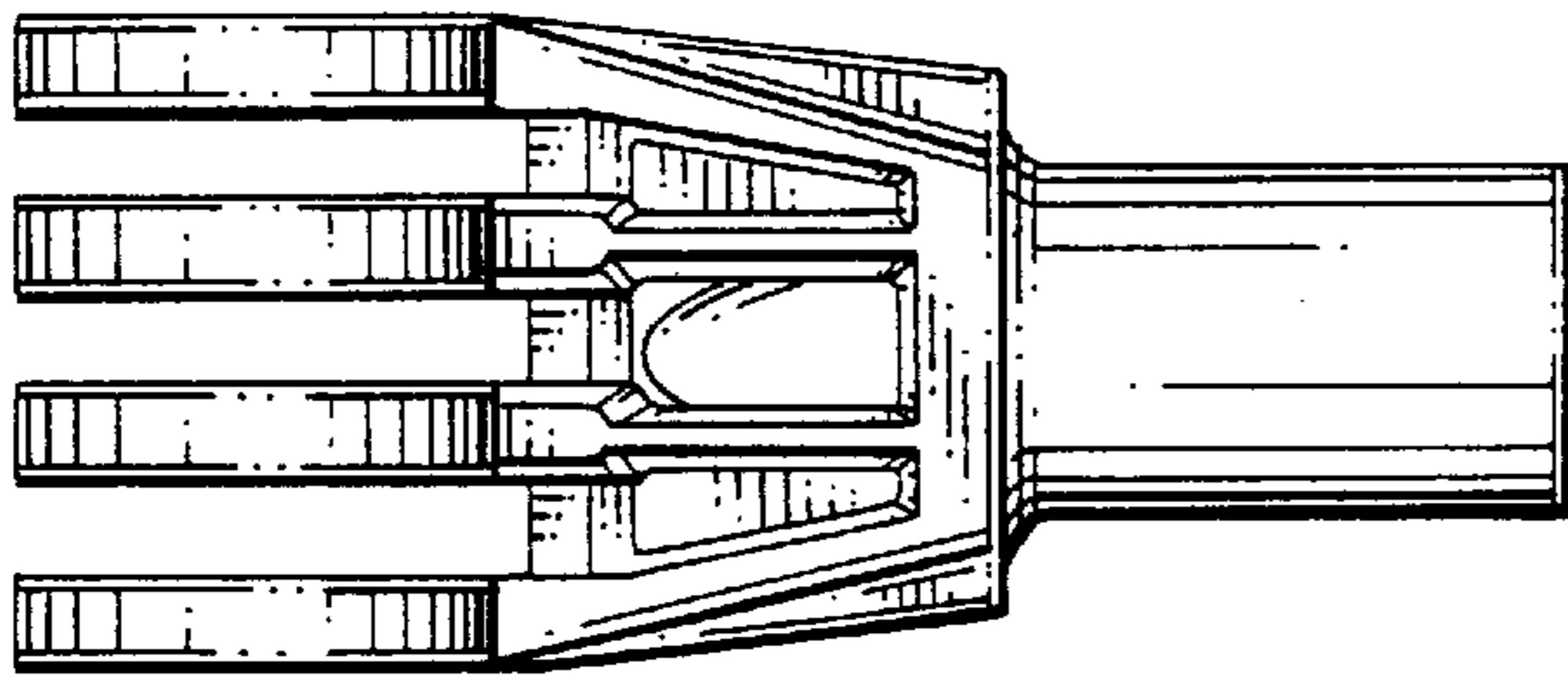


FIG. 3

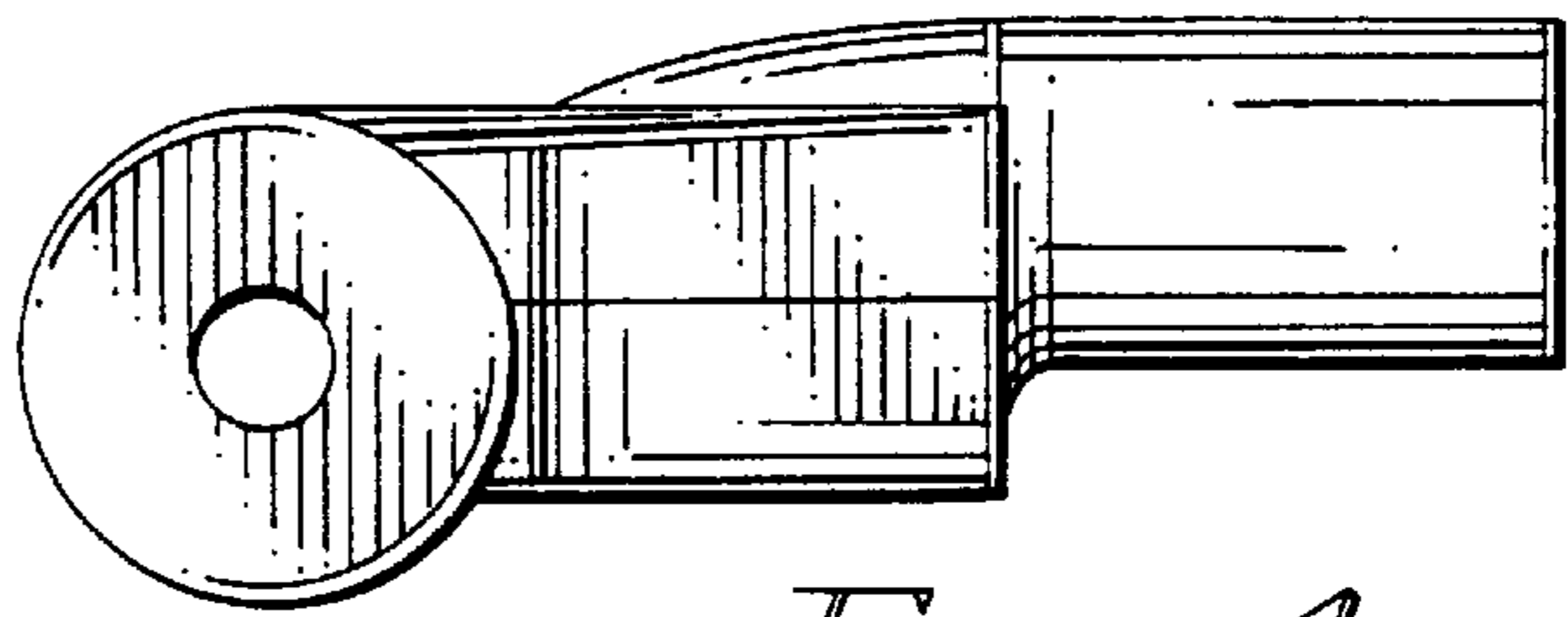


FIG. 4

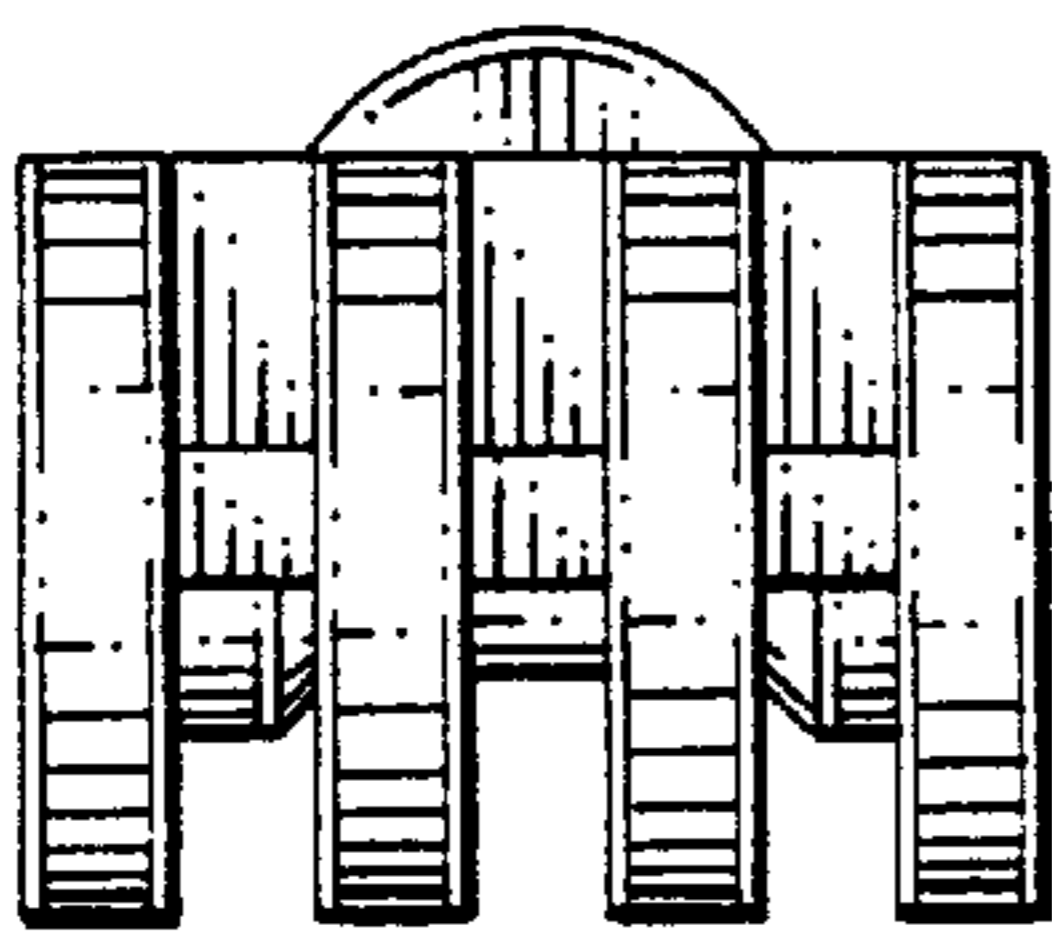


FIG. 5

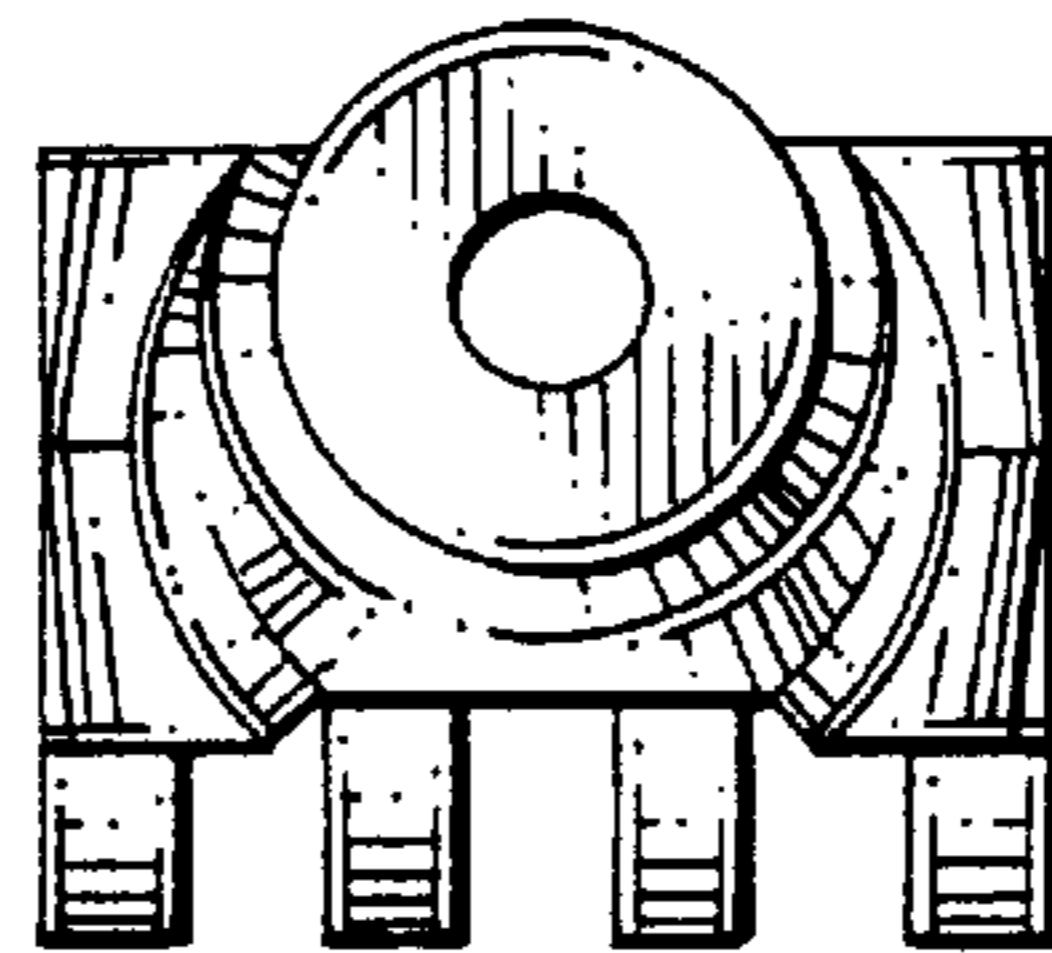


FIG. 6