



US00D402879S

**United States Patent** [19]  
**Beard, Jr.**

[11] **Patent Number: Des. 402,879**

[45] **Date of Patent: \*\*Dec. 22, 1998**

[54] **THREE COAT PLASTERING CORNER SUPPORT**

[76] Inventor: **Harold W. Beard, Jr.**, P.O. Box 5485,  
Carefree, Ariz. 85377

[\*\*] Term: **14 Years**

[21] Appl. No.: **44,700**

[22] Filed: **Sep. 29, 1995**

[51] **LOC (6) Cl.** ..... **08-05**

[52] **U.S. Cl.** ..... **D8/354; D25/102**

[58] **Field of Search** ..... D25/102; D8/499,  
D8/354, 403; 52/264, 254, 255, 287.1,  
288.1, 631, 716

[56] **References Cited**

**U.S. PATENT DOCUMENTS**

D. 175,229	7/1955	Neufeld .	
D. 349,166	7/1994	Beard, Jr. ....	D25/102
D. 377,598	1/1997	Beard, Jr. ....	D25/102
2,041,899	5/1936	Brand .	
2,069,289	2/1937	Swendsen et al. .	

2,208,227	7/1940	Page .	
2,614,664	10/1952	Sherron .....	52/264
2,825,942	3/1958	Potvin .....	52/287.1
3,101,184	8/1963	Allen et al. ....	248/222
3,603,054	9/1971	Didry .....	52/282
4,037,376	7/1977	Baal-Taxa .....	312/257
4,640,491	2/1987	Grist et al. ....	249/219
4,706,428	11/1987	Zeilinger .....	52/287.1

*Primary Examiner*—B. J. Bullock  
*Attorney, Agent, or Firm*—Snell & Wilmer, L.L.P.

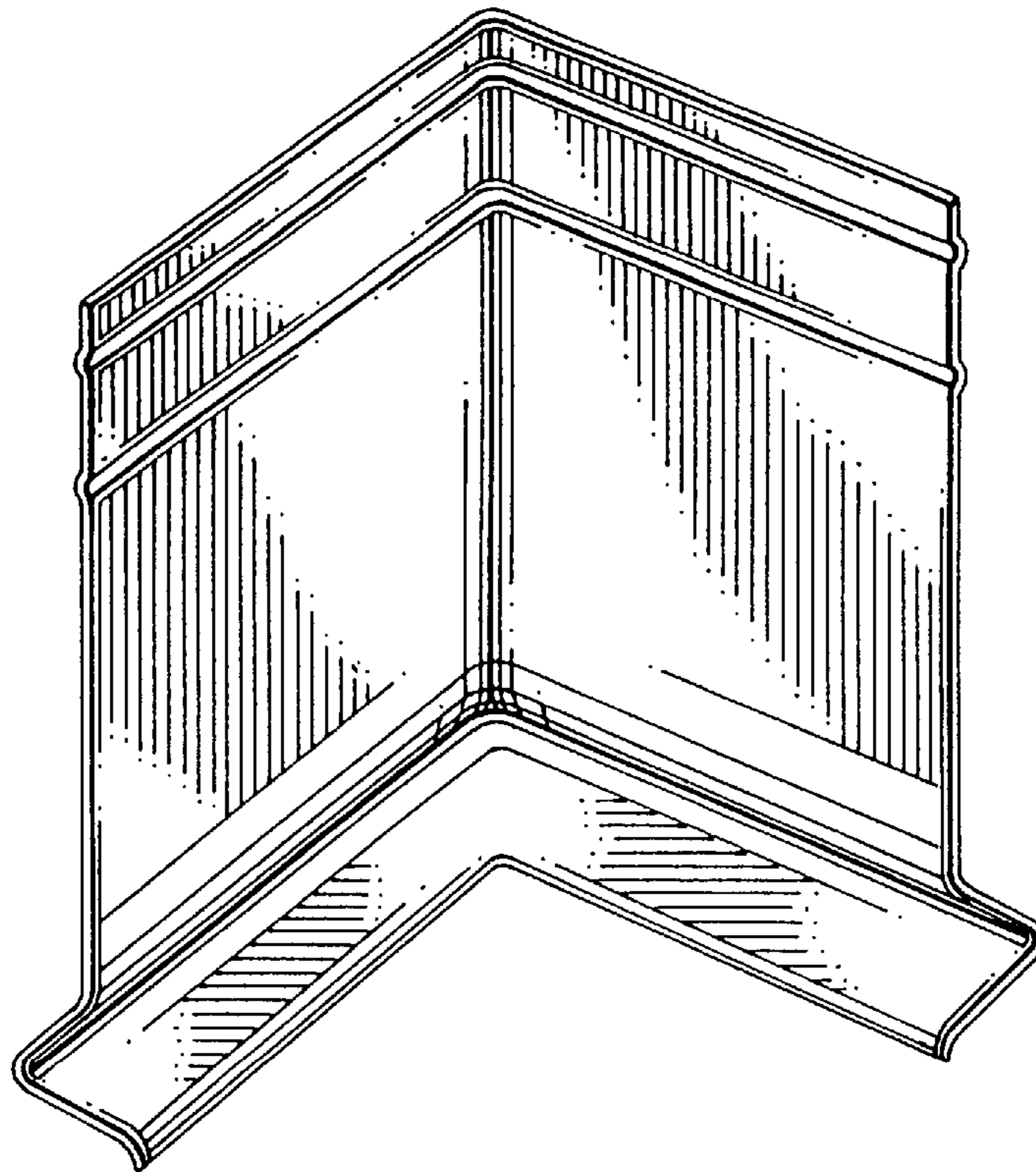
[57] **CLAIM**

The ornamental design for a three coat plastering corner support, as shown.

**DESCRIPTION**

FIG. 1 is a perspective view of the three coat plastering corner support showing my new design taken from the back of the three coat plastering corner support;  
FIG. 2 is a side elevational view thereof;  
FIG. 3 is the opposite side elevational view thereof;  
FIG. 4 is a top plan view thereof; and,  
FIG. 5 is a bottom plan view thereof.

**1 Claim, 2 Drawing Sheets**



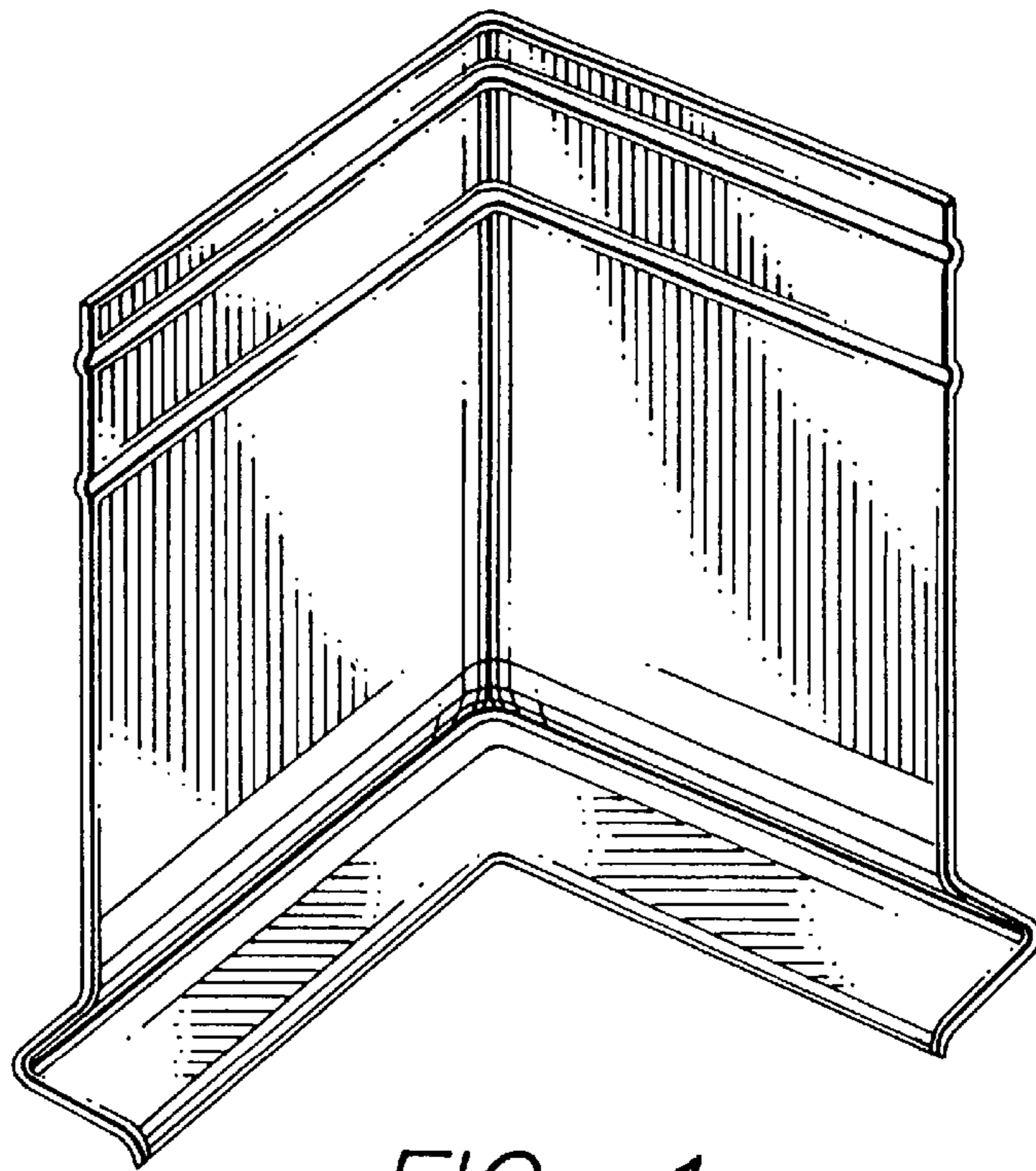


FIG. 1

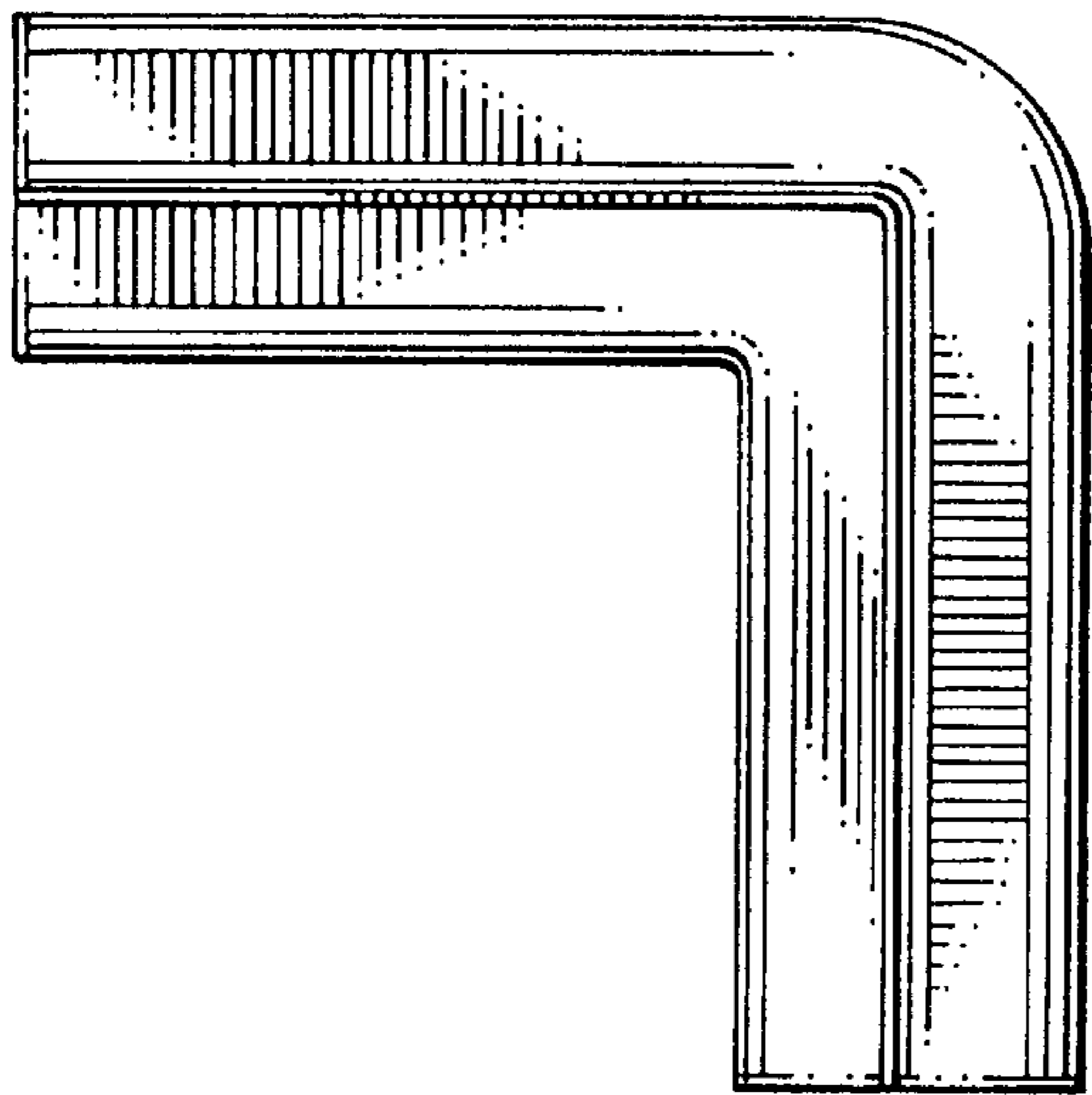


FIG. 3

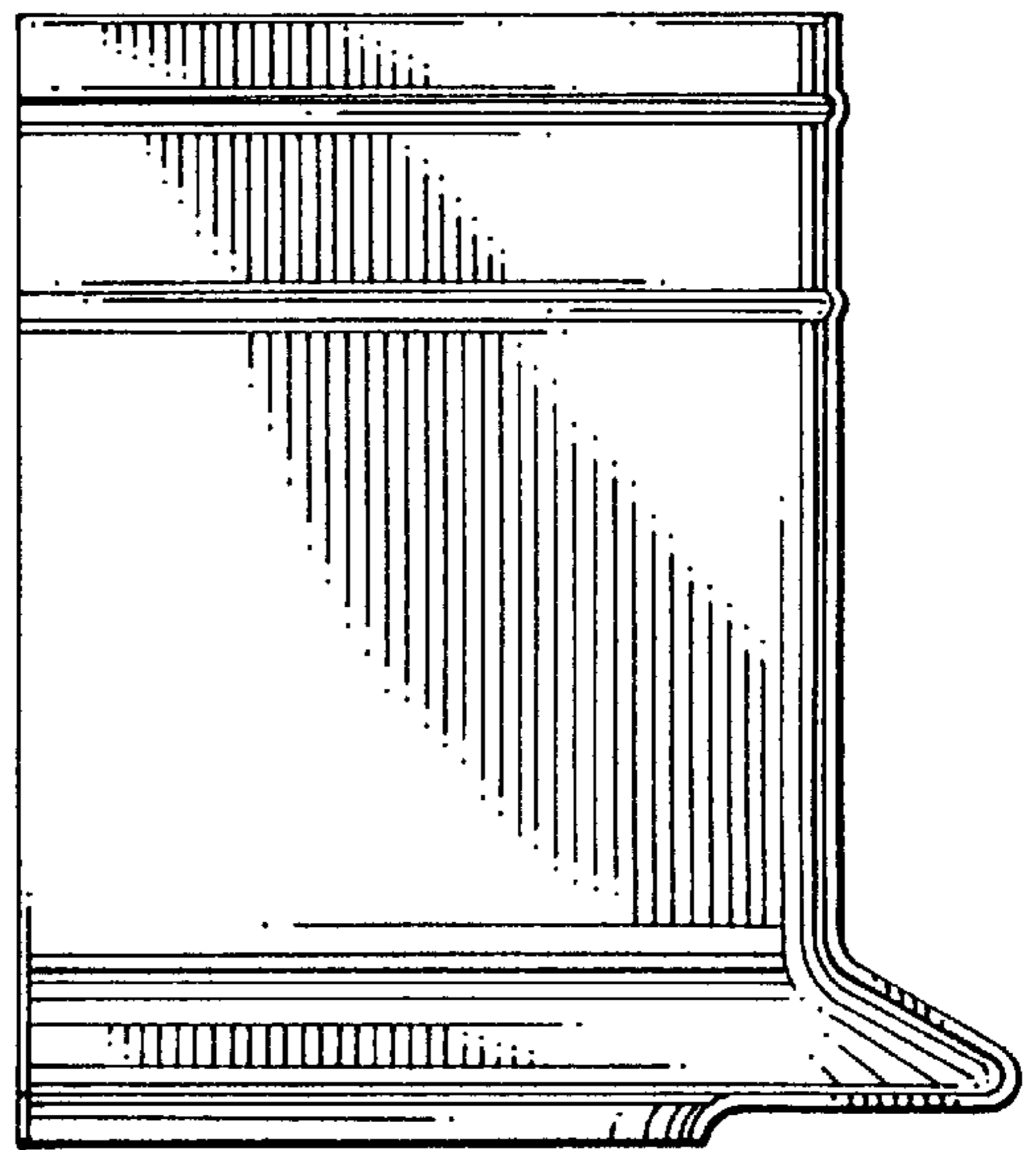


FIG. 2

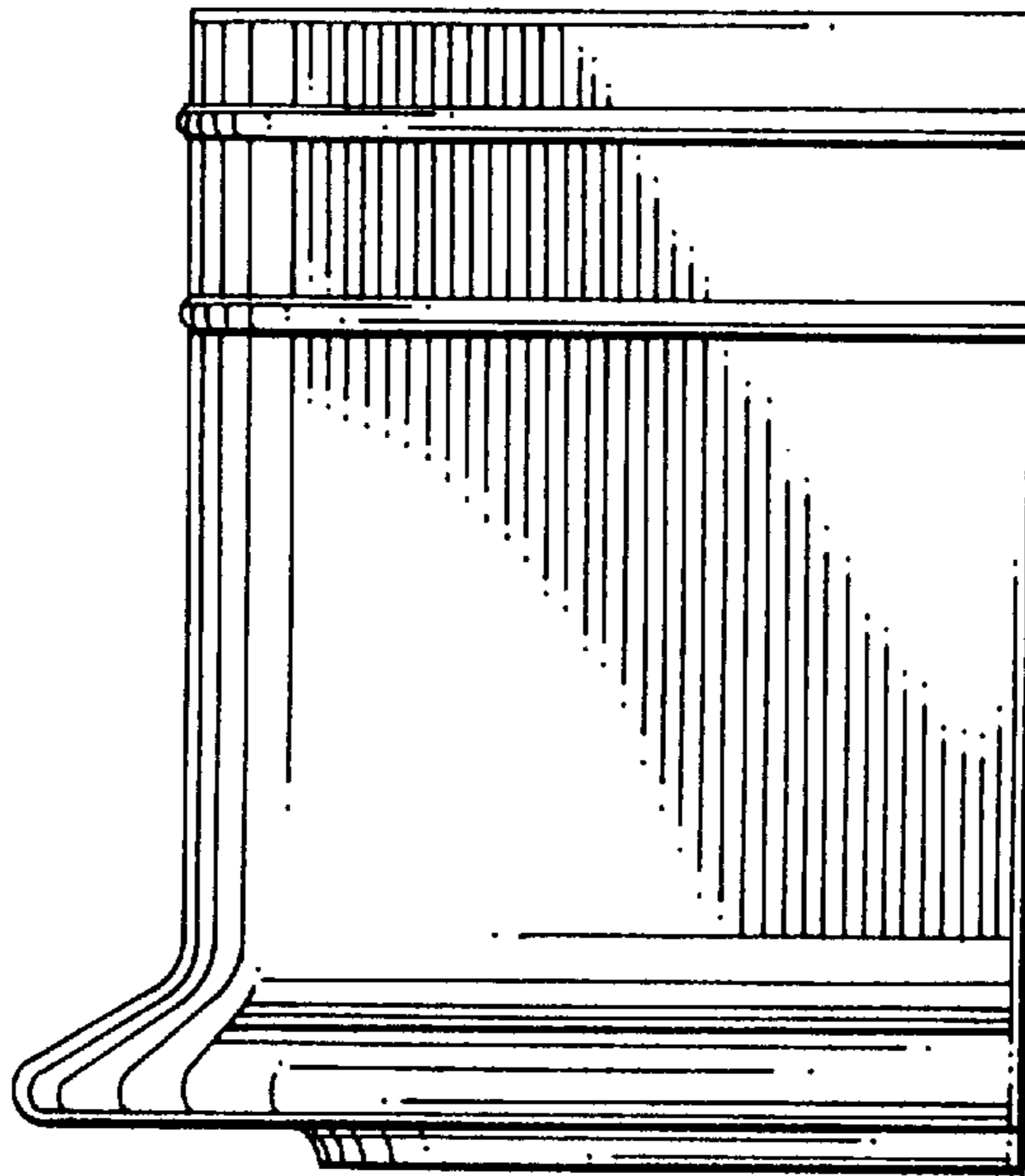


FIG. 4

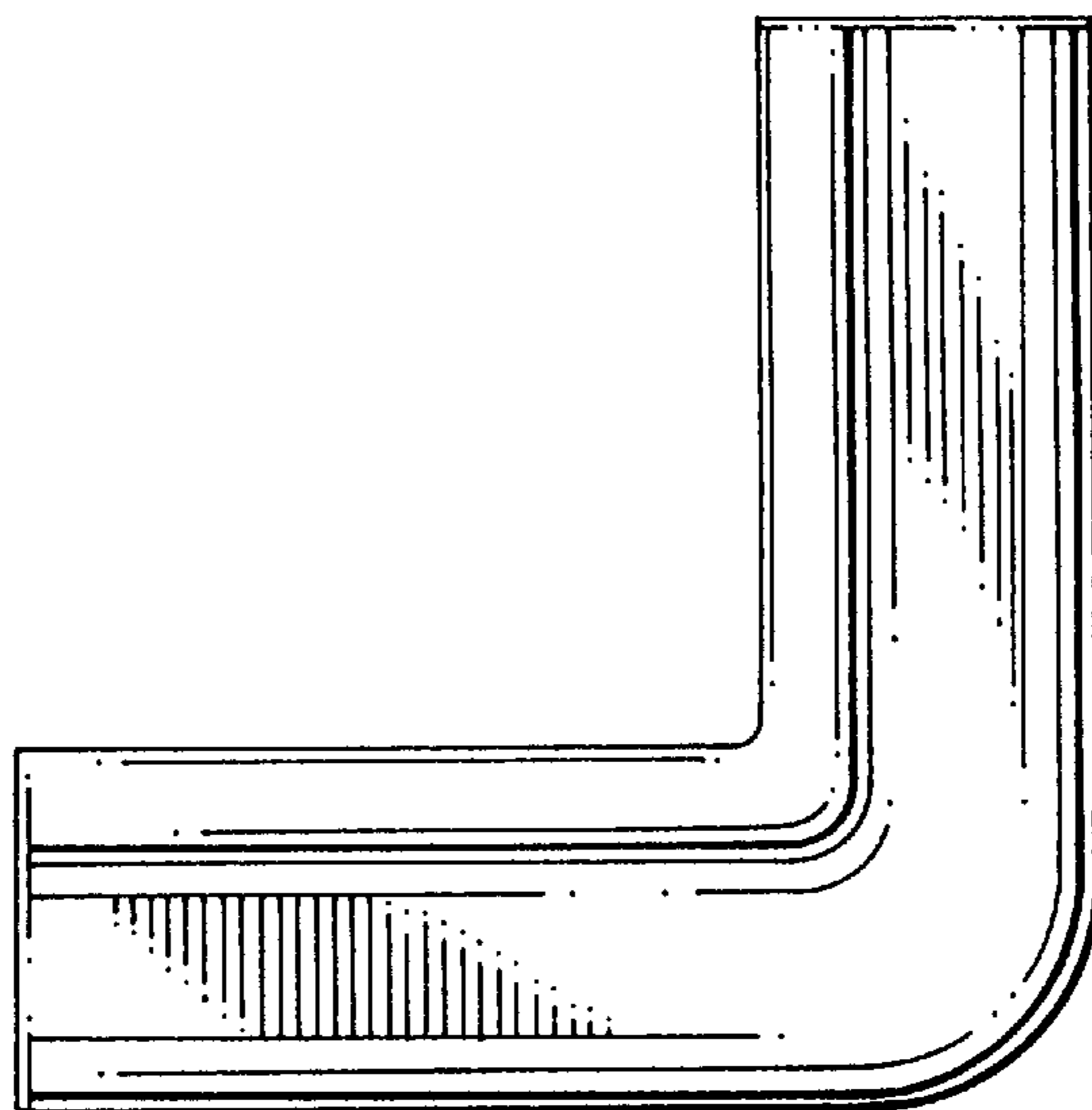


FIG. 5