



US00D402877S

United States Patent [19]

Newman et al.

[11] **Patent Number: Des. 402,877**

[45] **Date of Patent: **Dec. 22, 1998**

[54] **DEADLOCK**

[75] Inventors: **Donald John Newman**, Somerville;
David Garfield Blanch, Notting Hill,
both of Australia

[73] Assignee: **Lockwood Australia Pty. Limited**,
Waterloo, Australia

[**] Term: **14 Years**

[21] Appl. No.: **74,951**

[22] Filed: **Aug. 14, 1997**

[30] **Foreign Application Priority Data**

Feb. 14, 1997 [AU] Australia 434/19

[51] **LOC (6) Cl.** **08-07**

[52] **U.S. Cl.** **D8/341**

[58] **Field of Search** D8/332, 331, 339,
D8/341; 70/104, 102, 106; 292/268

[56] **References Cited**

U.S. PATENT DOCUMENTS

D. 297,109 8/1988 Christie D8/341

D. 324,480 3/1992 Roop et al. D8/341
D. 393,793 4/1998 Blanch D8/341
3,760,619 9/1973 Columbo 70/104

FOREIGN PATENT DOCUMENTS

Des.101462 4/1986 Australia .
Des.1034974 1/1986 United Kingdom .

Primary Examiner—Brian N. Vinson
Attorney, Agent, or Firm—Beveridge, DeGrandi, Weilacher
& Young, LLP

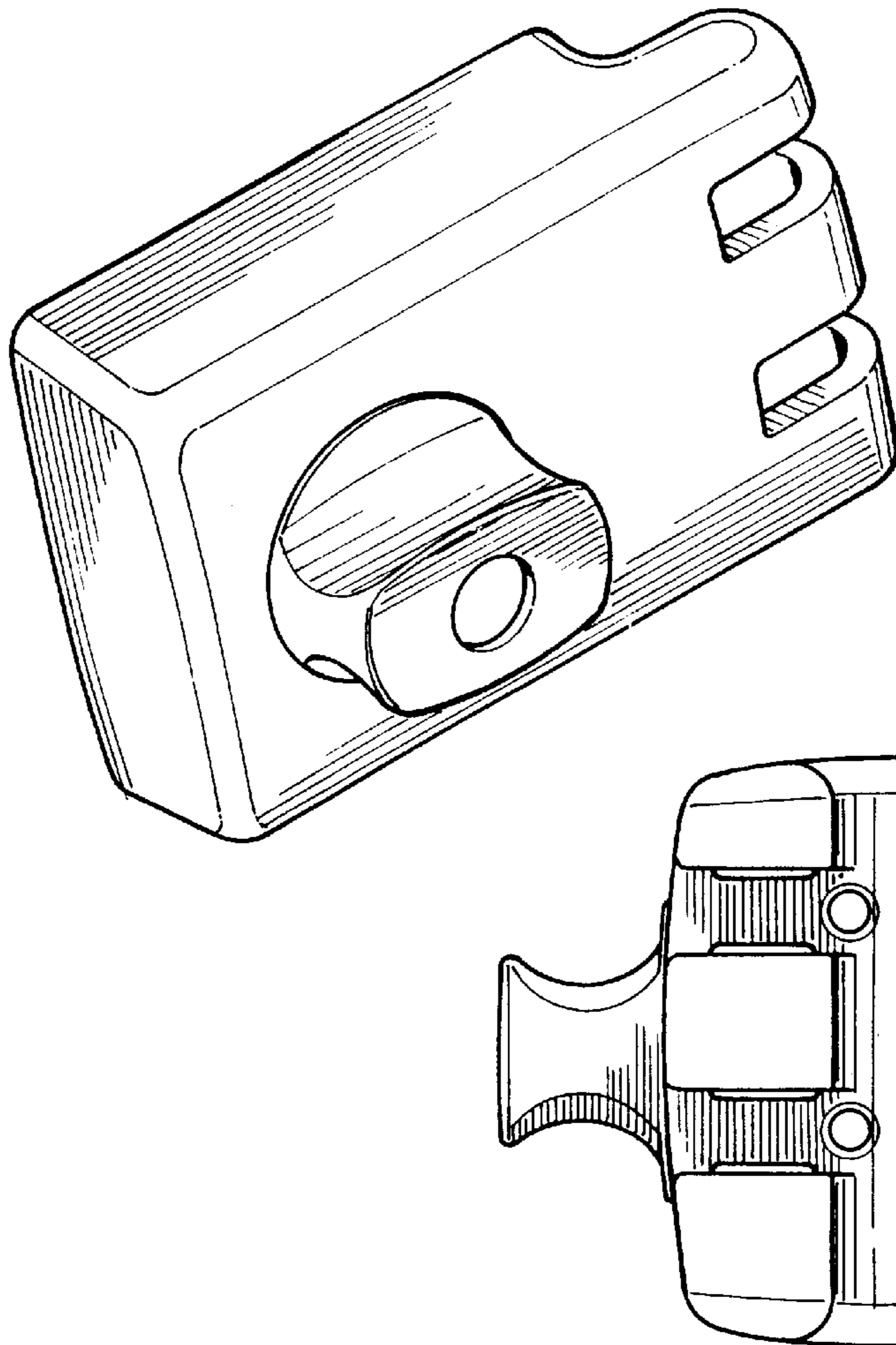
[57] **CLAIM**

The ornamental design for a deadlock, as shown.

DESCRIPTION

FIG. 1 is a perspective view of a deadlock showing our new design;
FIG. 2 is a plan view thereof;
FIG. 3 is a side view thereof;
FIG. 4 is a front view thereof;
FIG. 5 is an other side view thereof; and,
FIG. 6 is an underside view thereof.

1 Claim, 2 Drawing Sheets



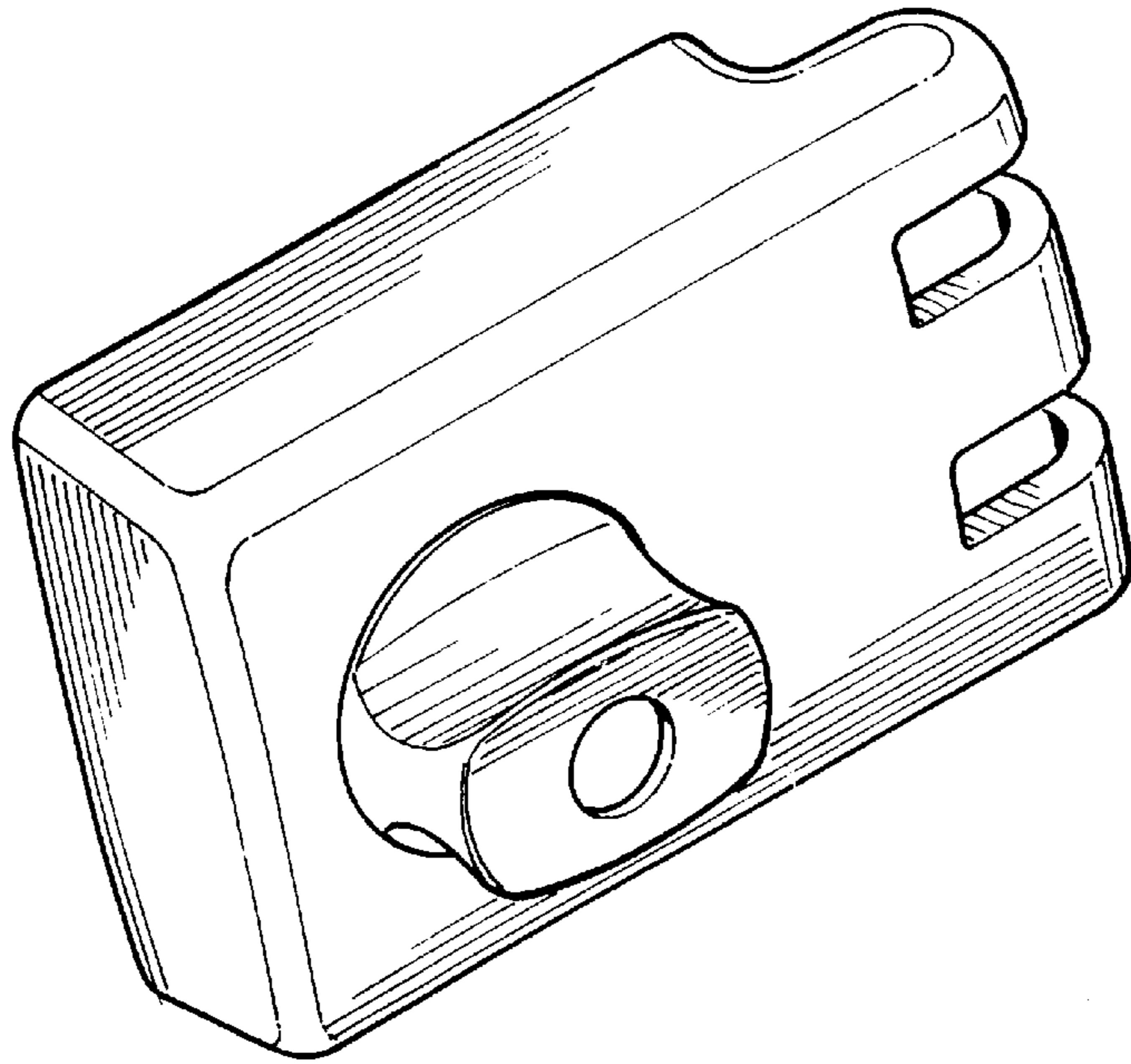


FIG. 1

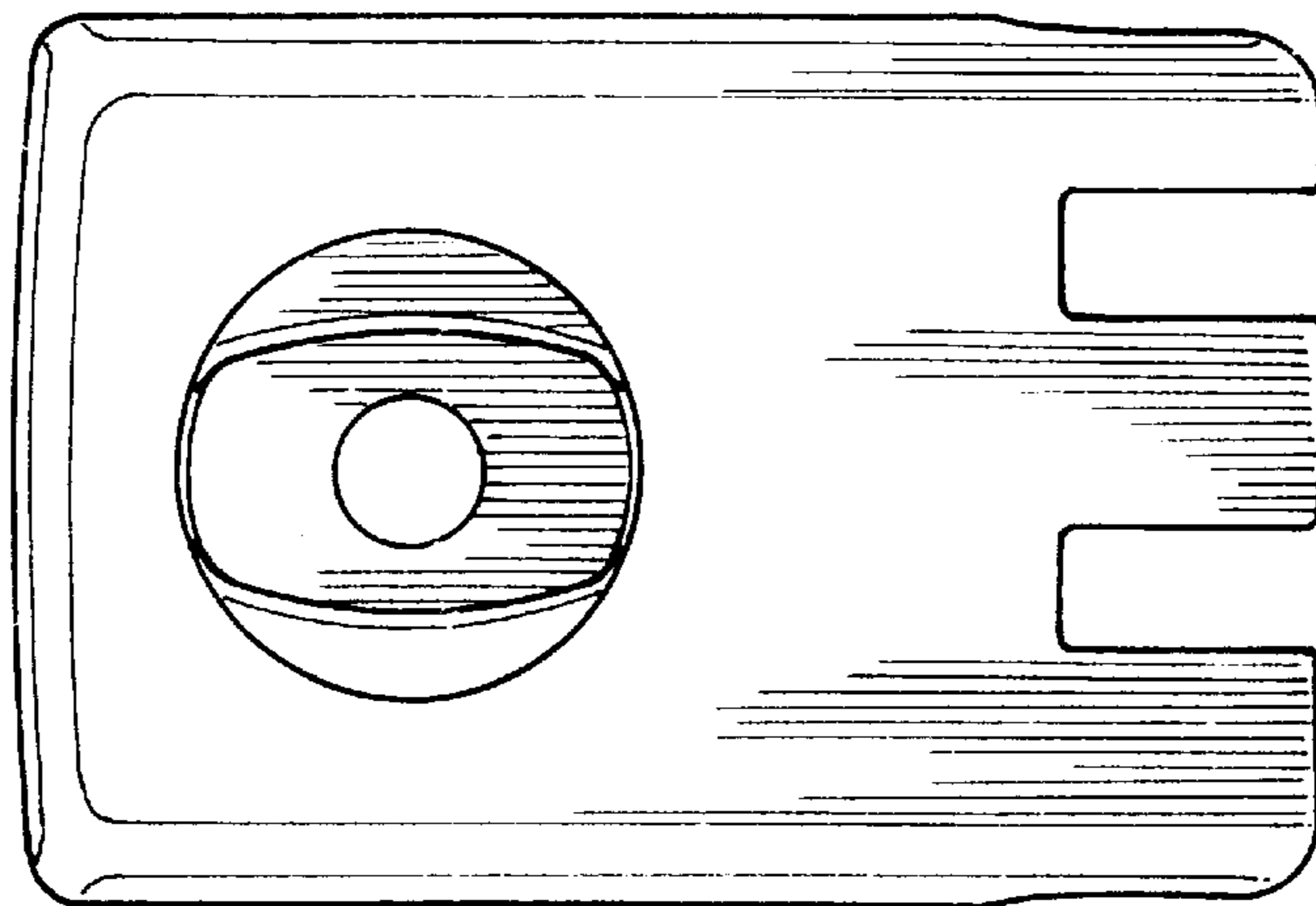


FIG. 2

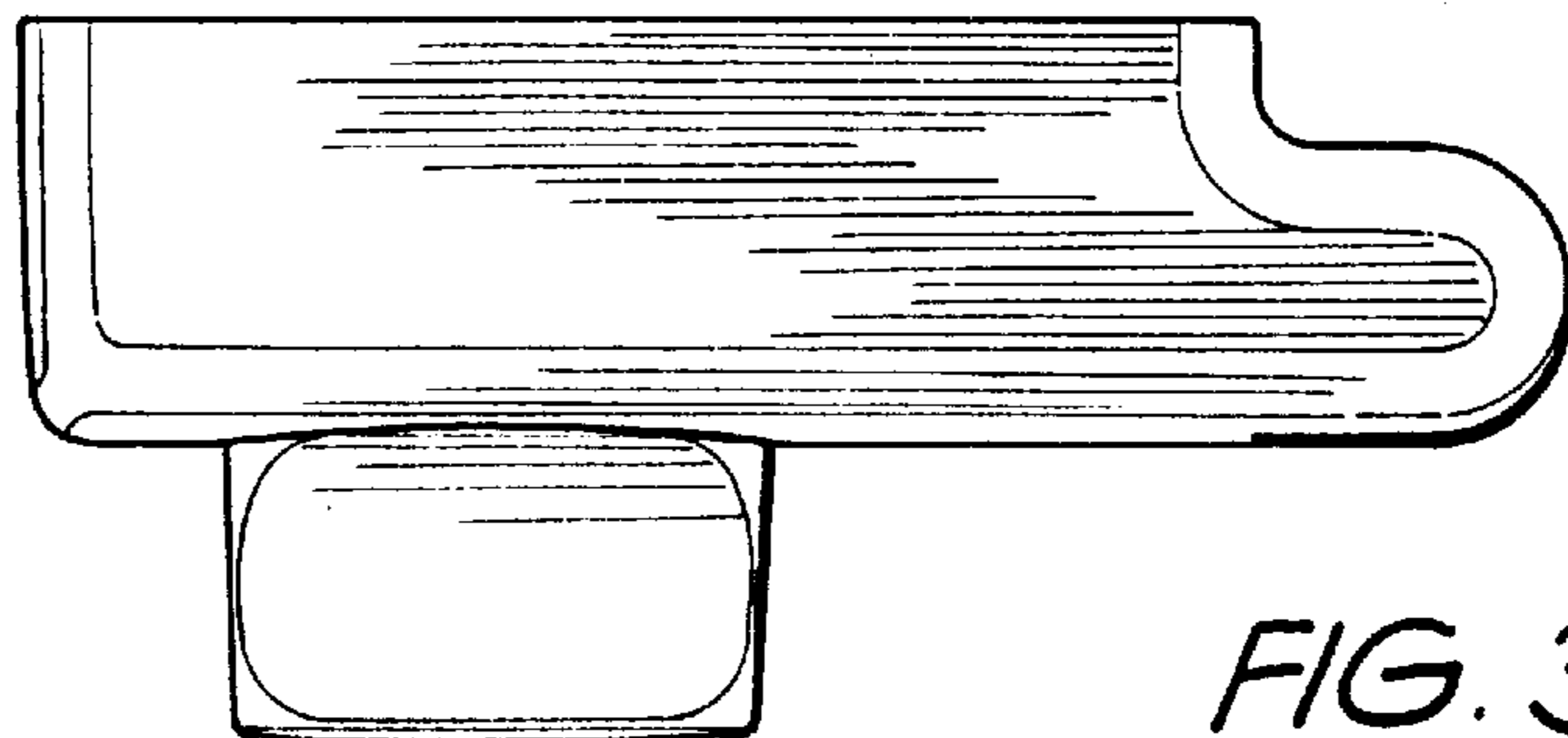


FIG. 3

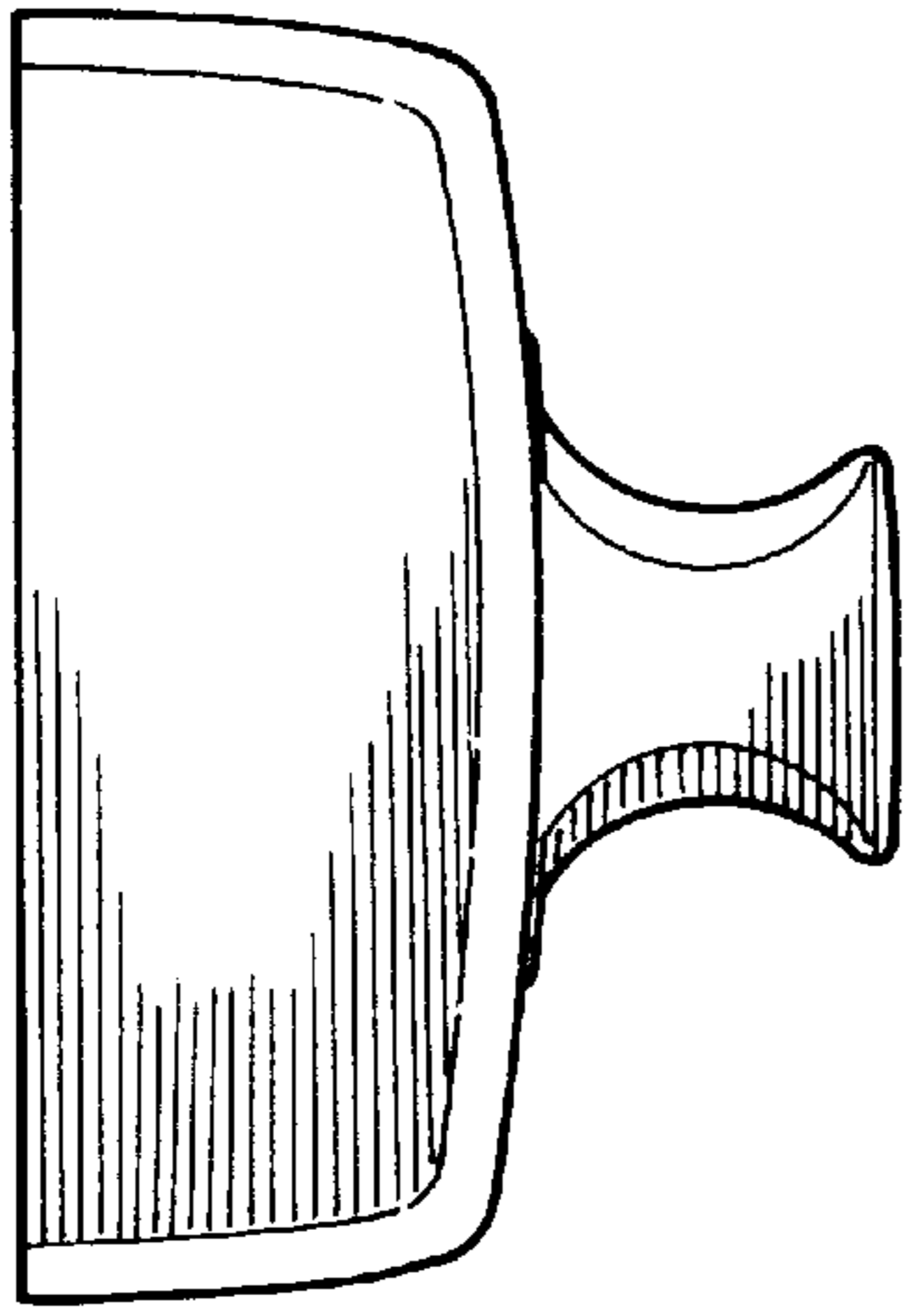


FIG. 4

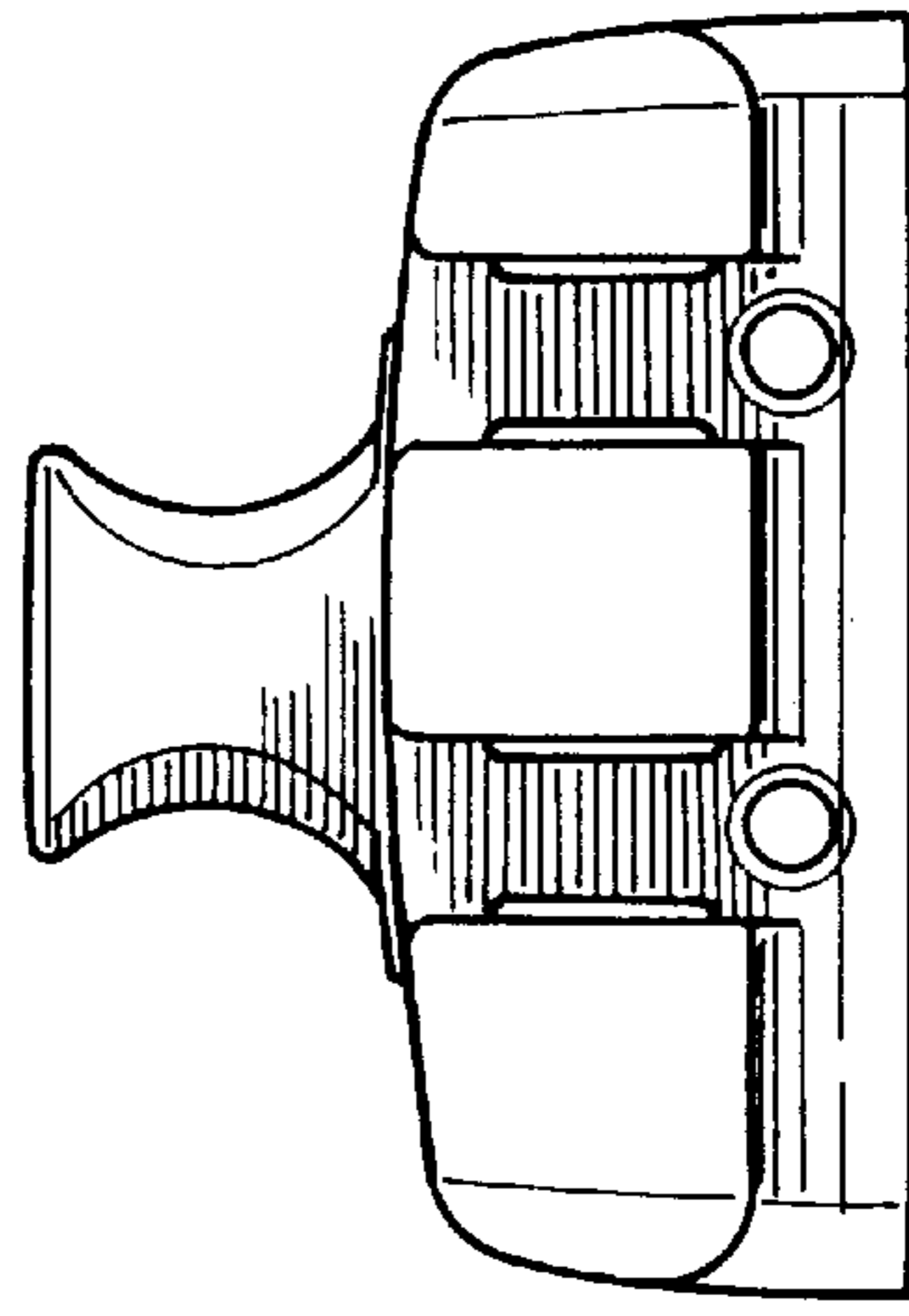


FIG. 5

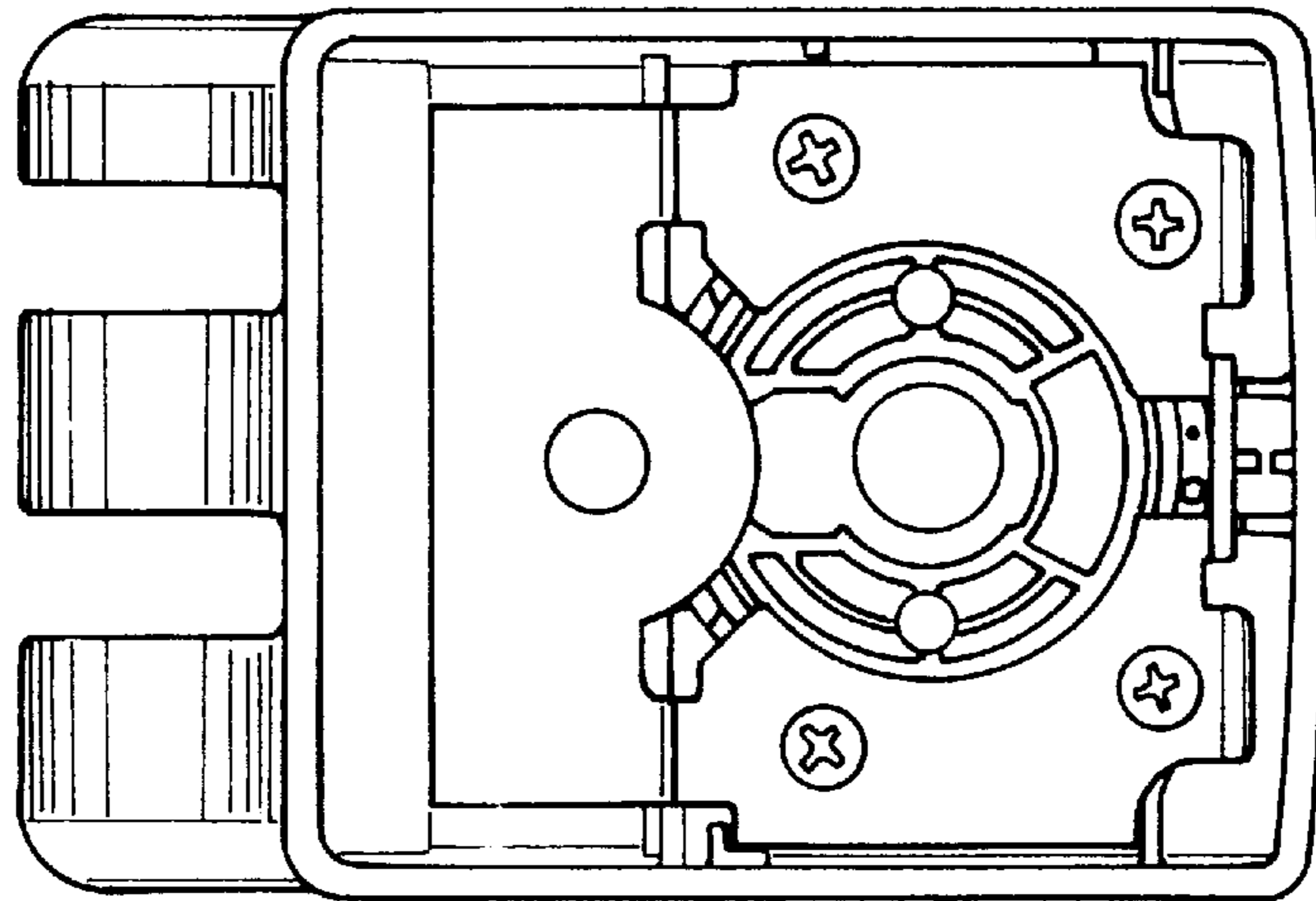


FIG. 6