



US00D402876S

# United States Patent [19]

Newman et al.

[11] **Patent Number: Des. 402,876**

[45] **Date of Patent: \*\*Dec. 22, 1998**

[54] **DEADLOCK CASE**

[75] Inventors: **Donald John Newman**, Somerville;  
**David Garfield Blanch**, Notting Hill,  
both of Australia

[73] Assignee: **Lockwood Australia Pty. Limited**,  
Waterloo, Australia

[\*\*] Term: **14 Years**

[21] Appl. No.: **74,950**

[22] Filed: **Aug. 14, 1997**

### [30] Foreign Application Priority Data

Feb. 14, 1997 [AU] Australia ..... 435/97

[51] **LOC (6) Cl.** ..... **08-07**

[52] **U.S. Cl.** ..... **D8/341; D8/343**

[58] **Field of Search** ..... D8/330, 331, 339,  
D8/341, 343; 70/104, 102, 106; 292/268

### [56] References Cited

#### U.S. PATENT DOCUMENTS

D. 297,109 8/1988 Christie ..... D8/341

D. 324,480 3/1992 Roop et al. .... D8/341  
D. 393,793 4/1998 Blanch ..... D8/341  
3,760,619 9/1973 Columbo ..... 70/104

#### FOREIGN PATENT DOCUMENTS

Des.101462 1/1986 Australia .  
Des.1034974 1/1986 United Kingdom .

*Primary Examiner*—Brian N. Vinson  
*Attorney, Agent, or Firm*—Beveridge, DeGrandi, Weilacher  
& Young, LLP

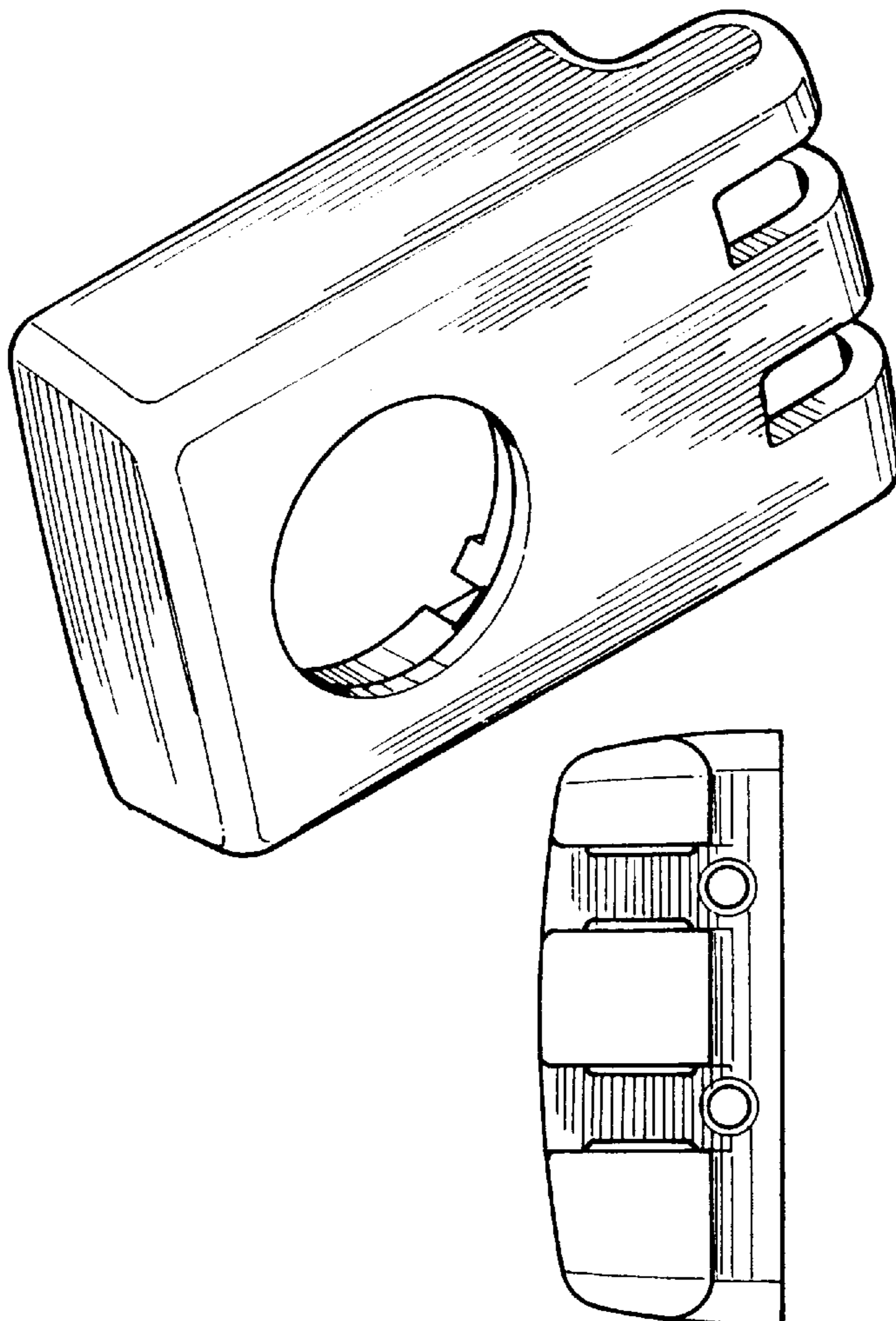
### [57] CLAIM

The ornamental design for a deadlock case, as shown.

#### DESCRIPTION

FIG. 1 is a perspective view of a deadlock case showing our design;  
FIG. 2 is a plan view thereof;  
FIG. 3 is a side view thereof;  
FIG. 4 is a front view thereof;  
FIG. 5 is an other side view thereof; and,  
FIG. 6 is an underside view thereof;

**1 Claim, 2 Drawing Sheets**



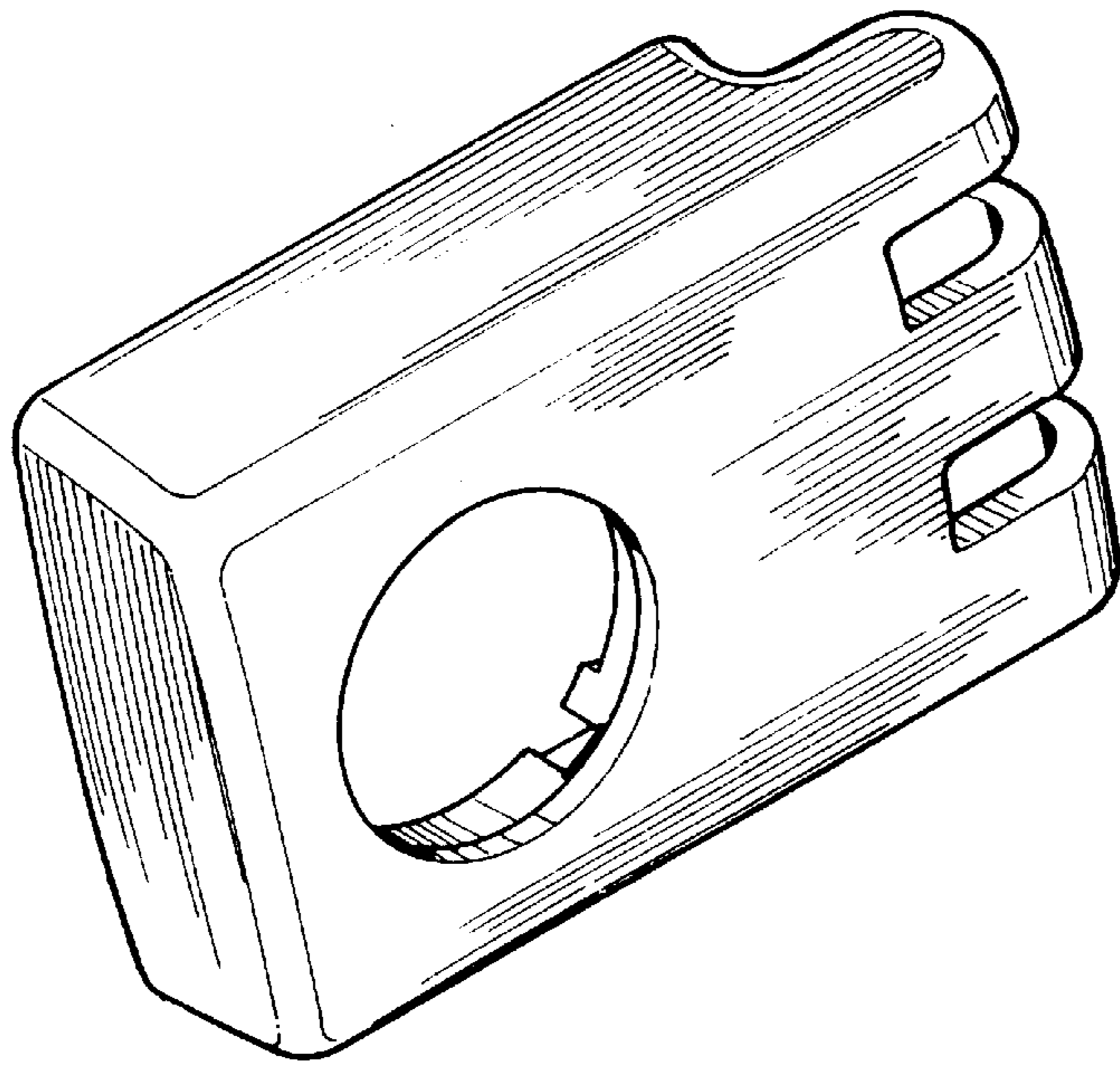


FIG. 1

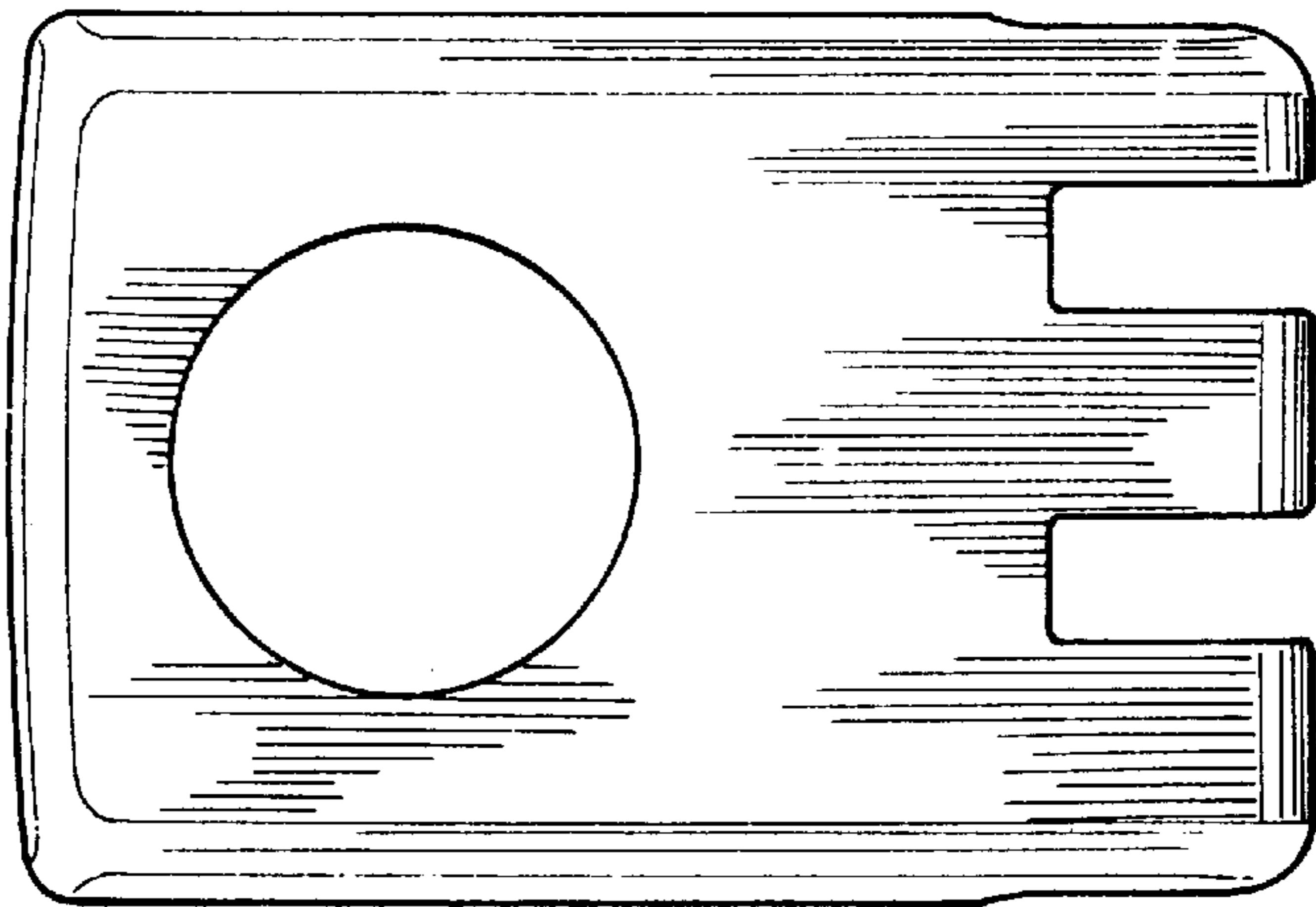


FIG. 2

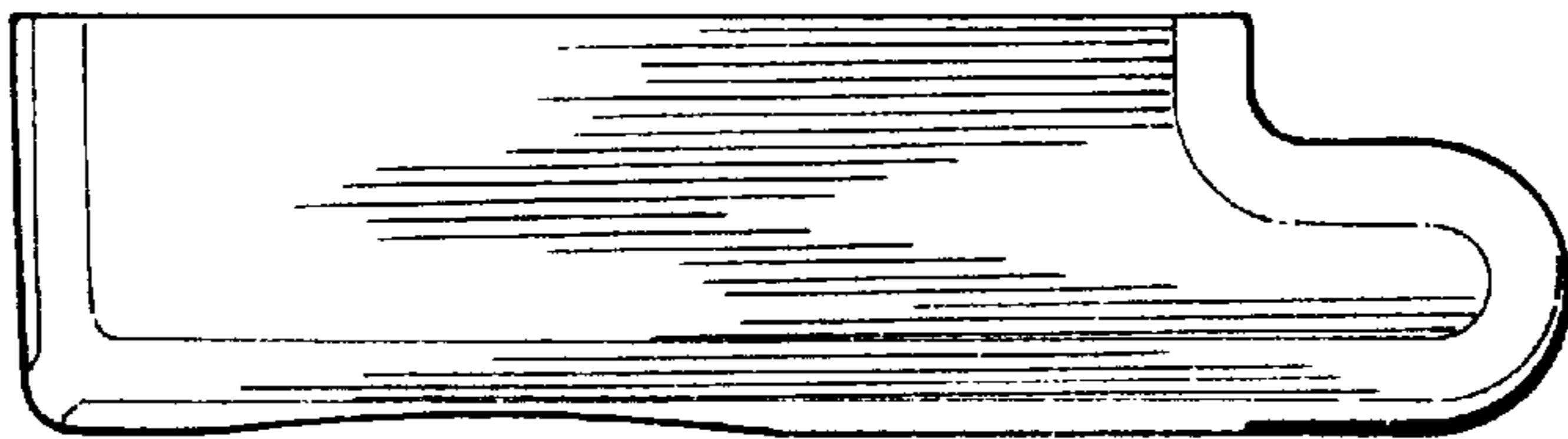


FIG. 3

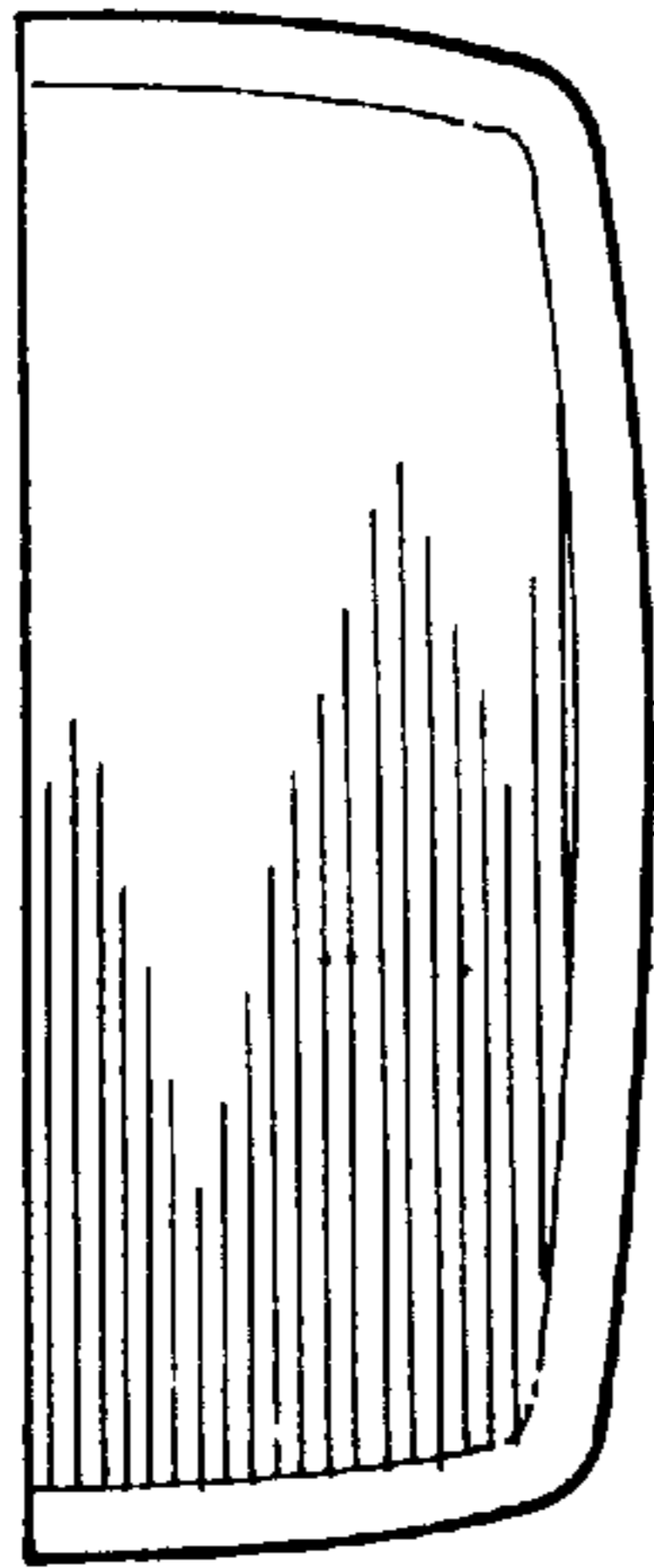


FIG. 4

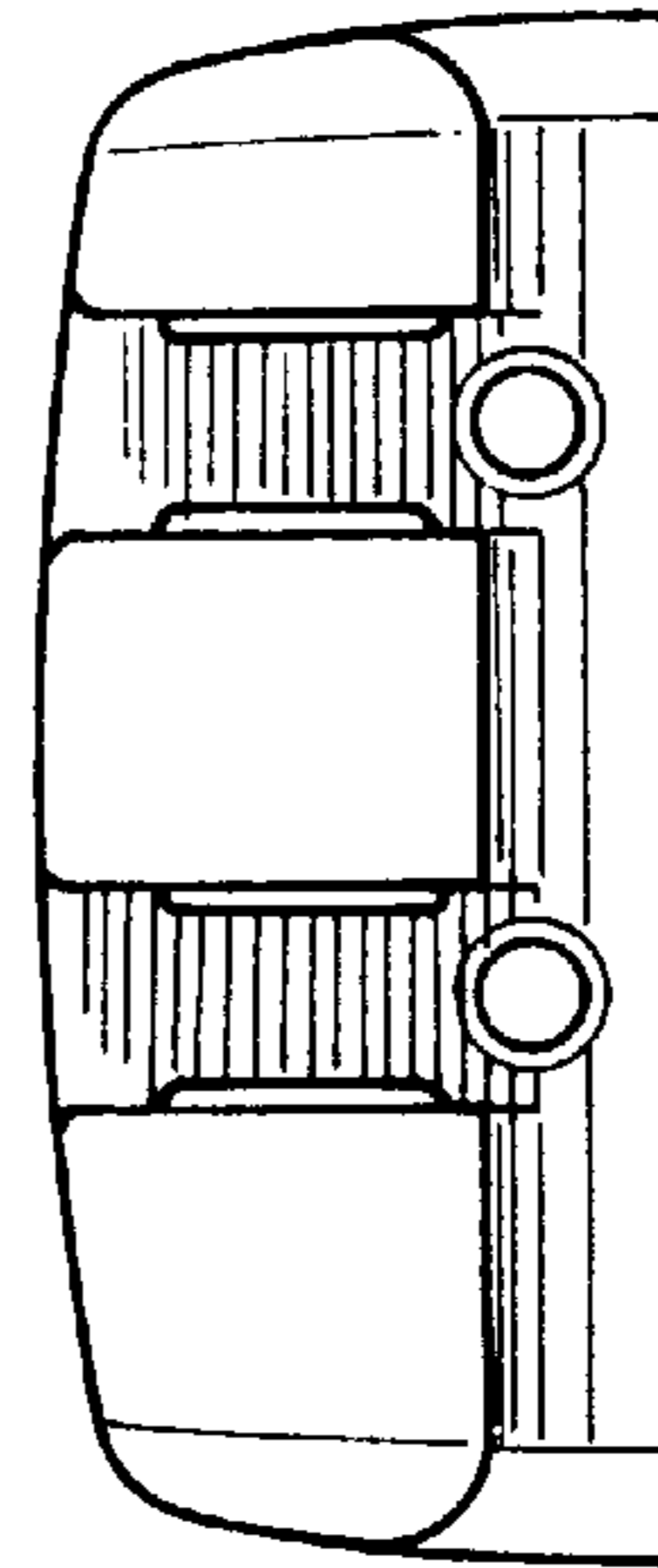


FIG. 5

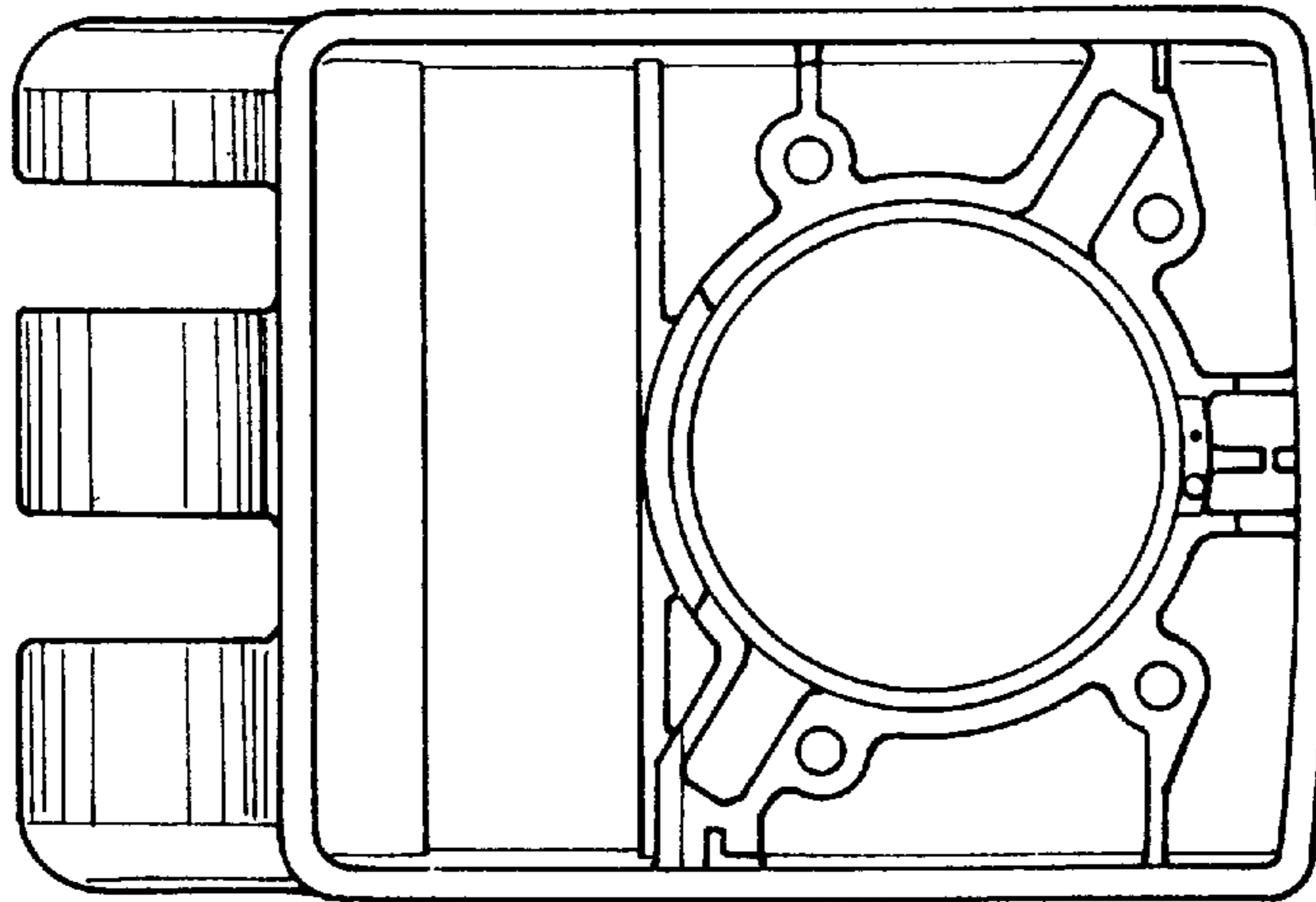


FIG. 6