



US00D402875S

United States Patent [19]
Bethea

[11] **Patent Number: Des. 402,875**

[45] **Date of Patent: **Dec. 22, 1998**

[54] **DOOR KNOB COVER**

2,997,089 8/1961 Amdur et al. .

[76] Inventor: **Lorraine E Bethea**, 1382 Winslow Ave., Union, N.J. 07083

Primary Examiner—B. J. Bullock

[**] Term: **14 Years**

[57] **CLAIM**

The ornamental design for a door knob cover, as shown.

[21] Appl. No.: **70,093**

DESCRIPTION

[22] Filed: **Apr. 29, 1997**

FIG. 1 is a front elevational view of the door knob cover of the present invention;

[51] **LOC (6) Cl.** **08-06**

FIG. 2 is a rear elevational view of the door knob cover of FIG. 1;

[52] **U.S. Cl.** **D8/322**

FIG. 3 is a left side elevational view of the door knob cover of FIG. 1;

[58] **Field of Search** D8/310, 322, 402; 292/DIG. 2; 16/114 R, 121; 150/155

FIG. 4 is a right side elevational view of the door knob cover of FIG. 1;

[56] **References Cited**

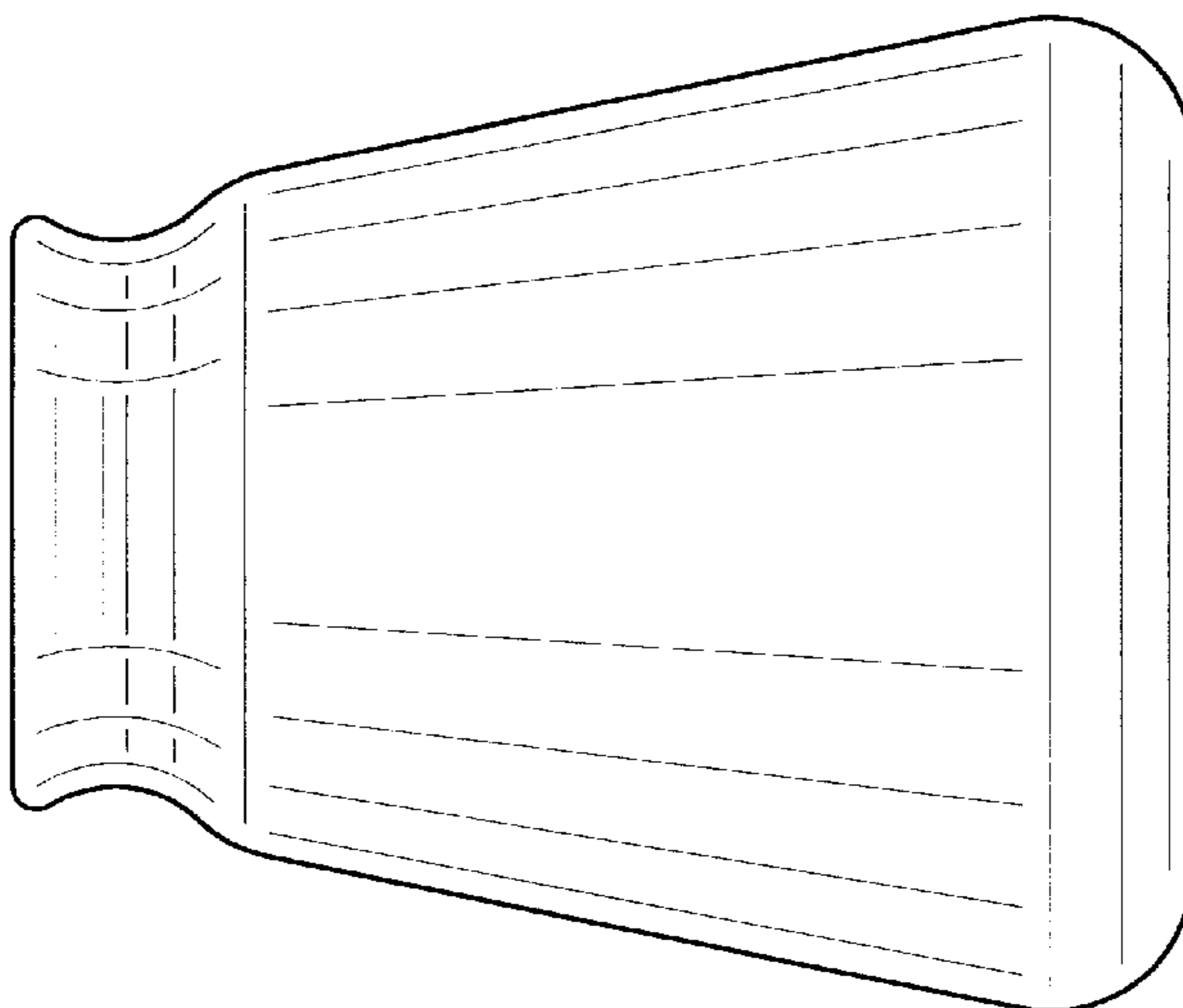
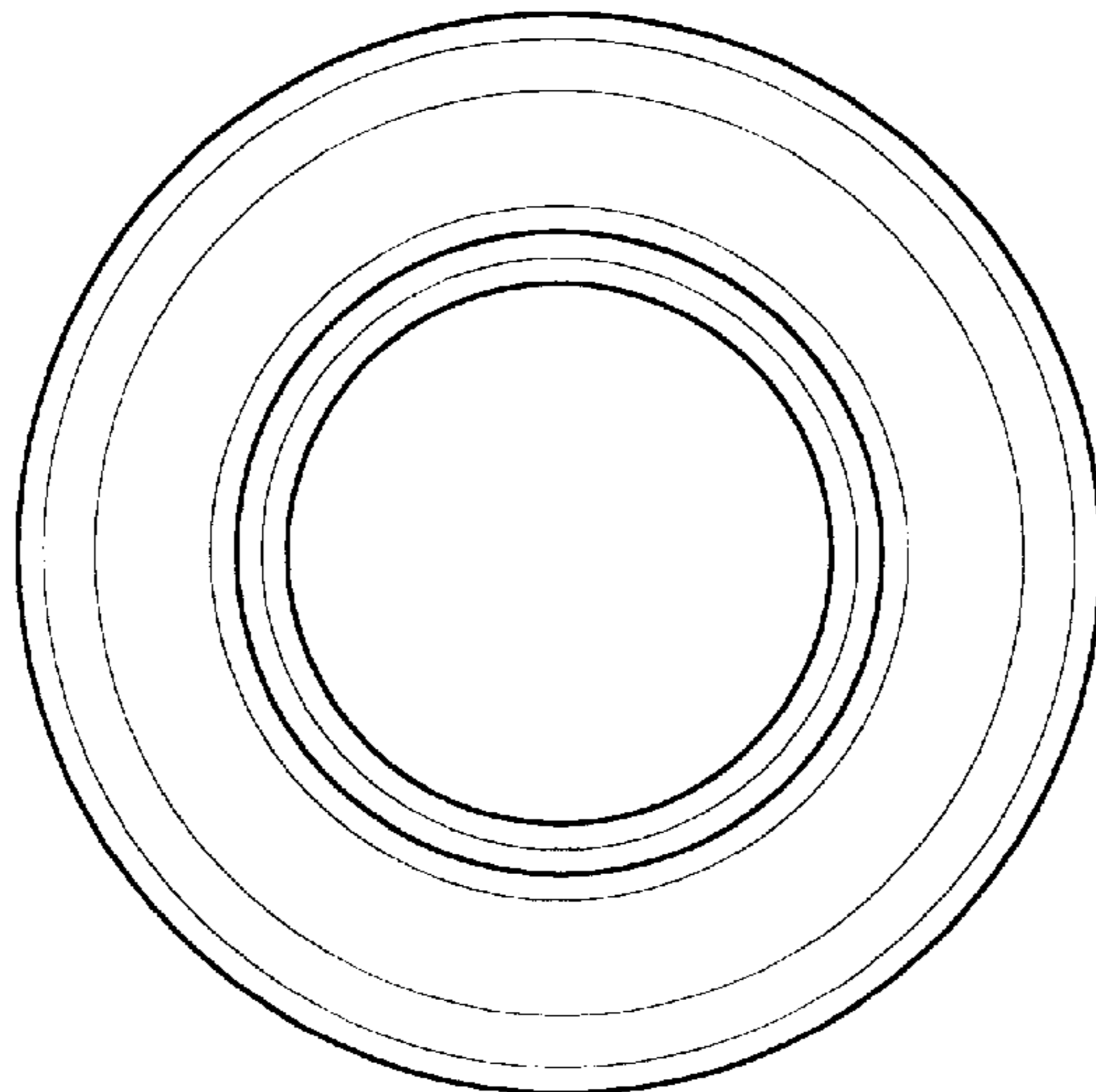
U.S. PATENT DOCUMENTS

D. 214,618	7/1969	Waitman-Warner	D8/310
D. 329,590	9/1992	Chapman	D8/402
2,721,597	10/1955	Pitrella	.	
2,753,911	7/1956	Haslett	D8/322

FIG. 5 is a top plan view of the door knob cover of FIG. 1; and,

FIG. 6 is a bottom plan view of the door knob cover of FIG. 1.

1 Claim, 3 Drawing Sheets



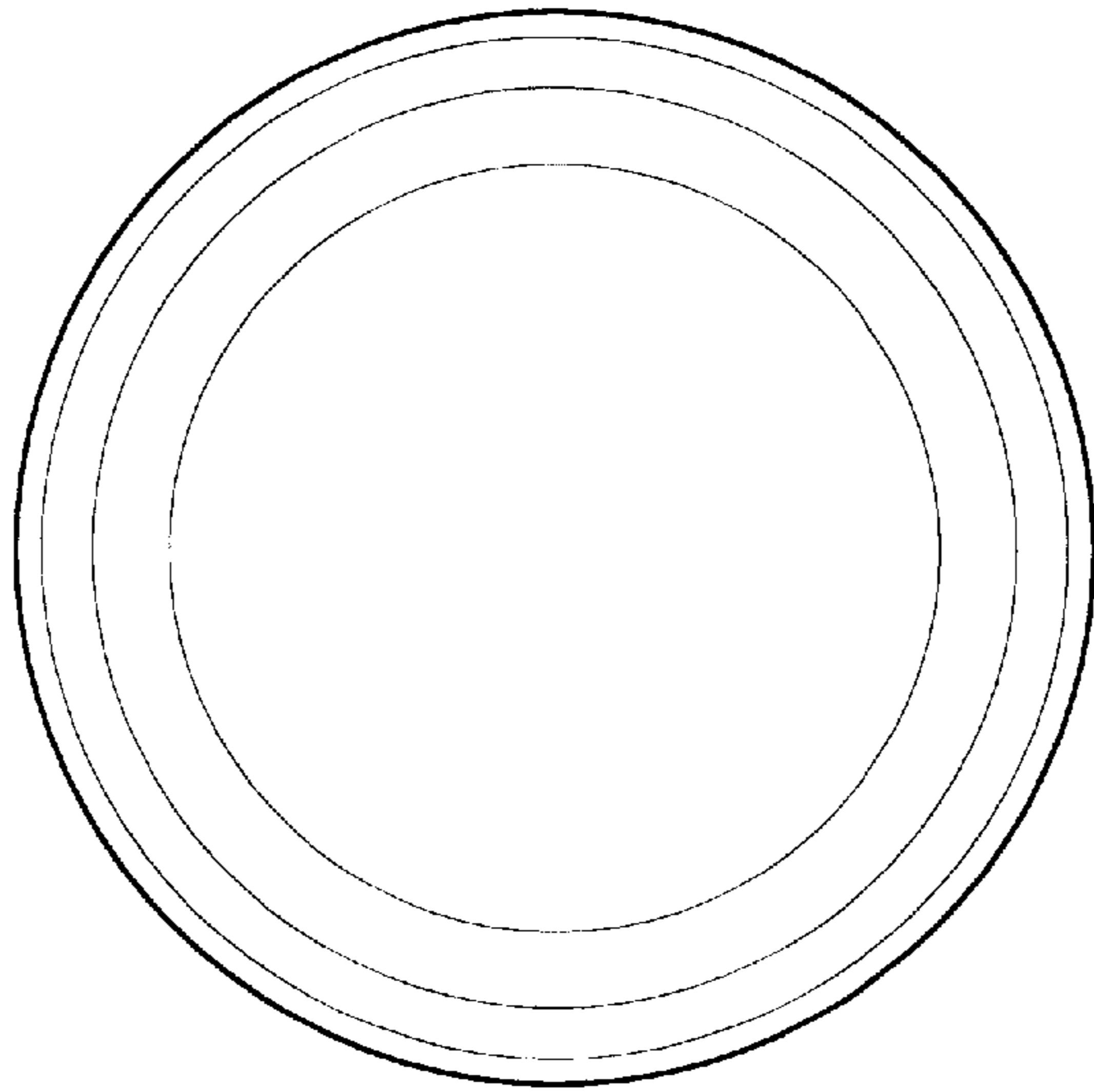


Fig. 1

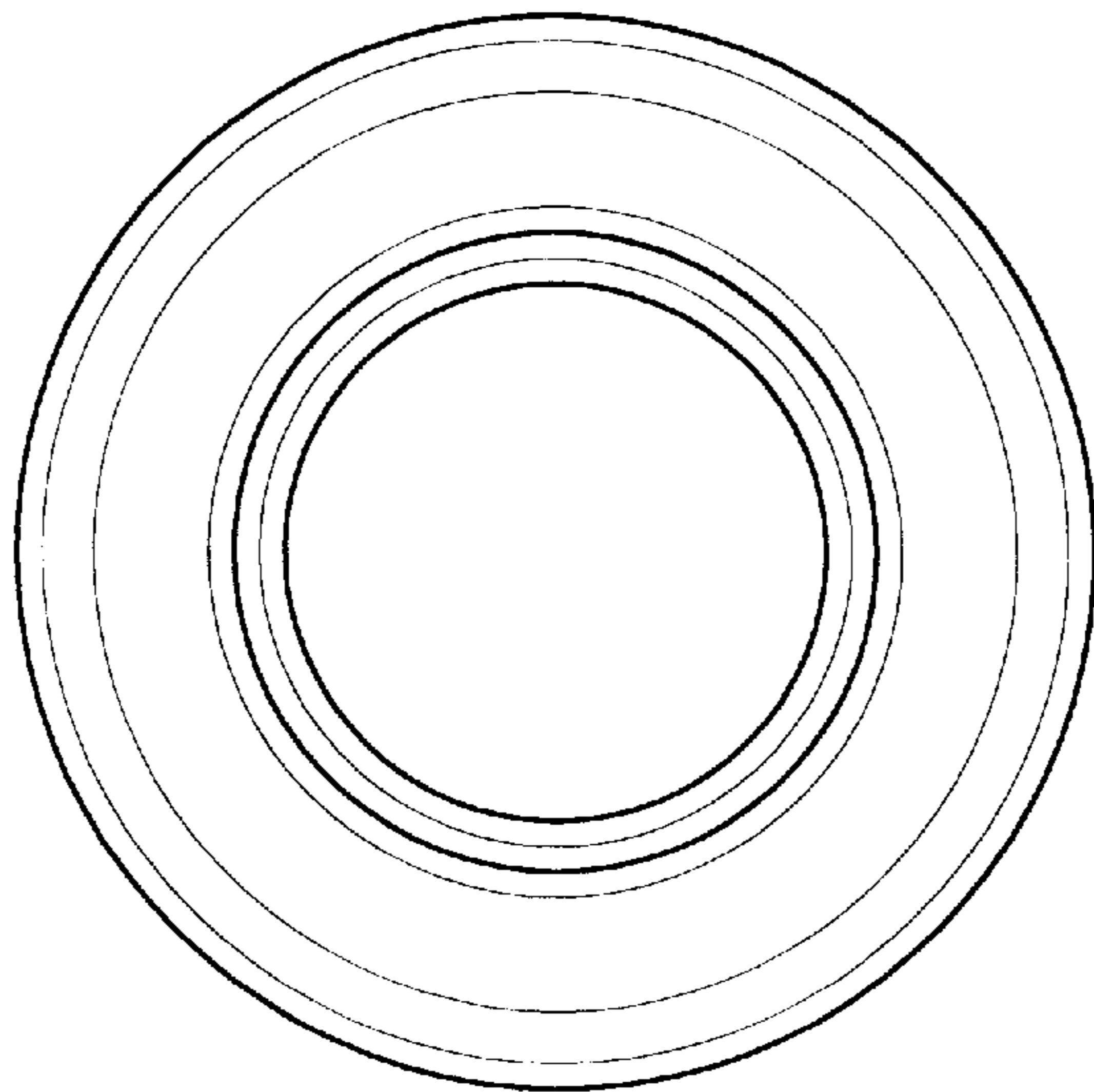


Fig. 2

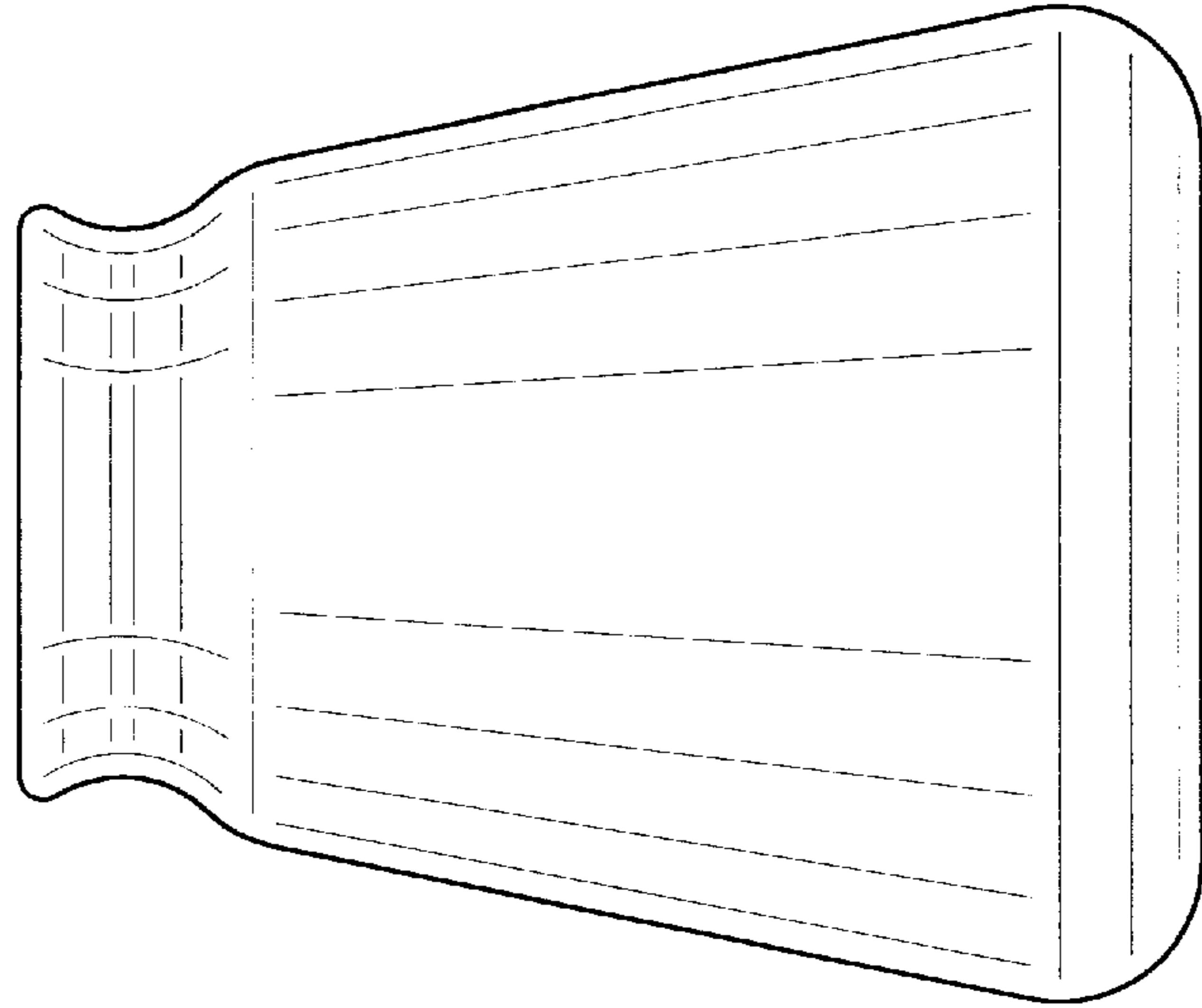


Fig. 3

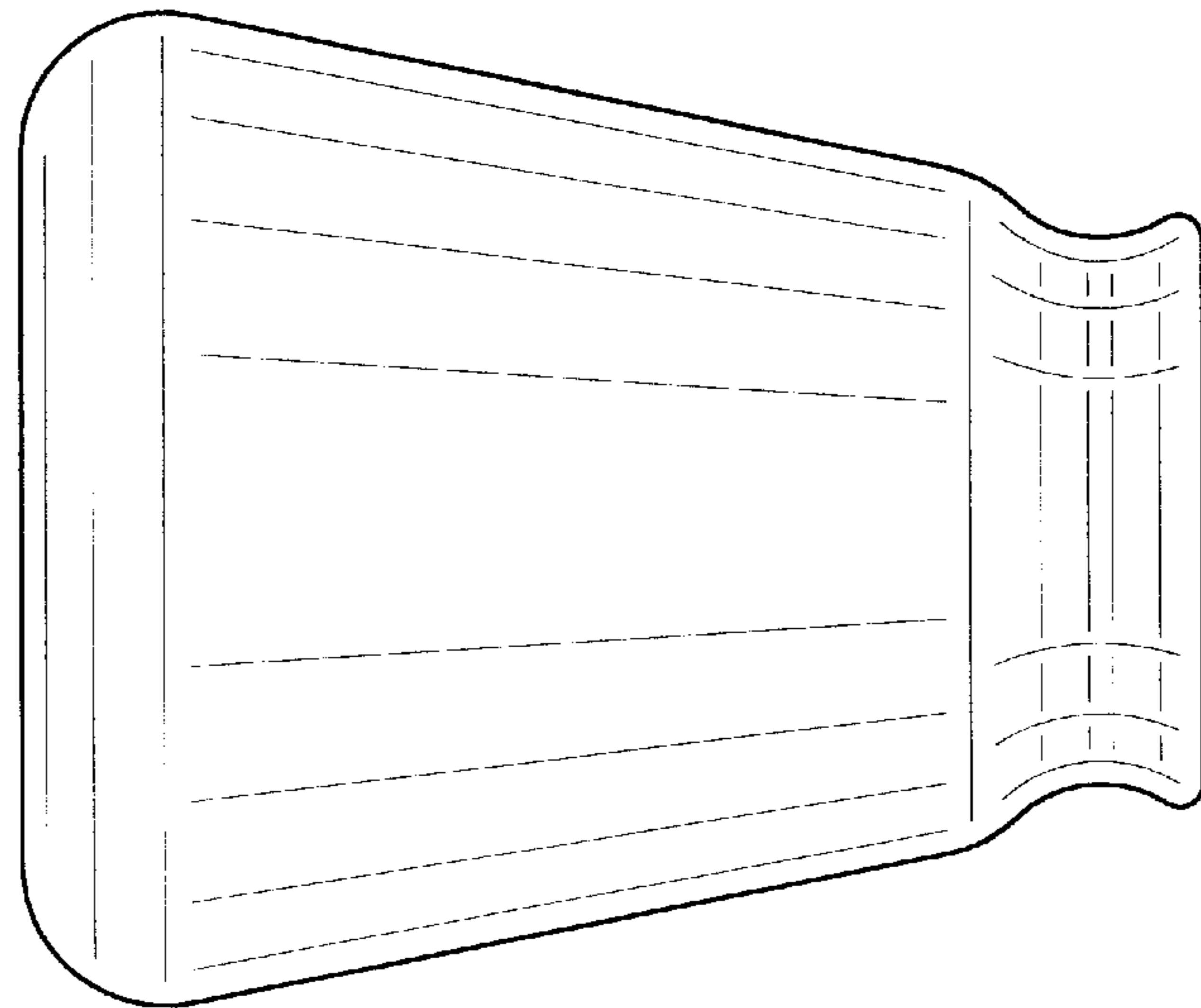


Fig. 4

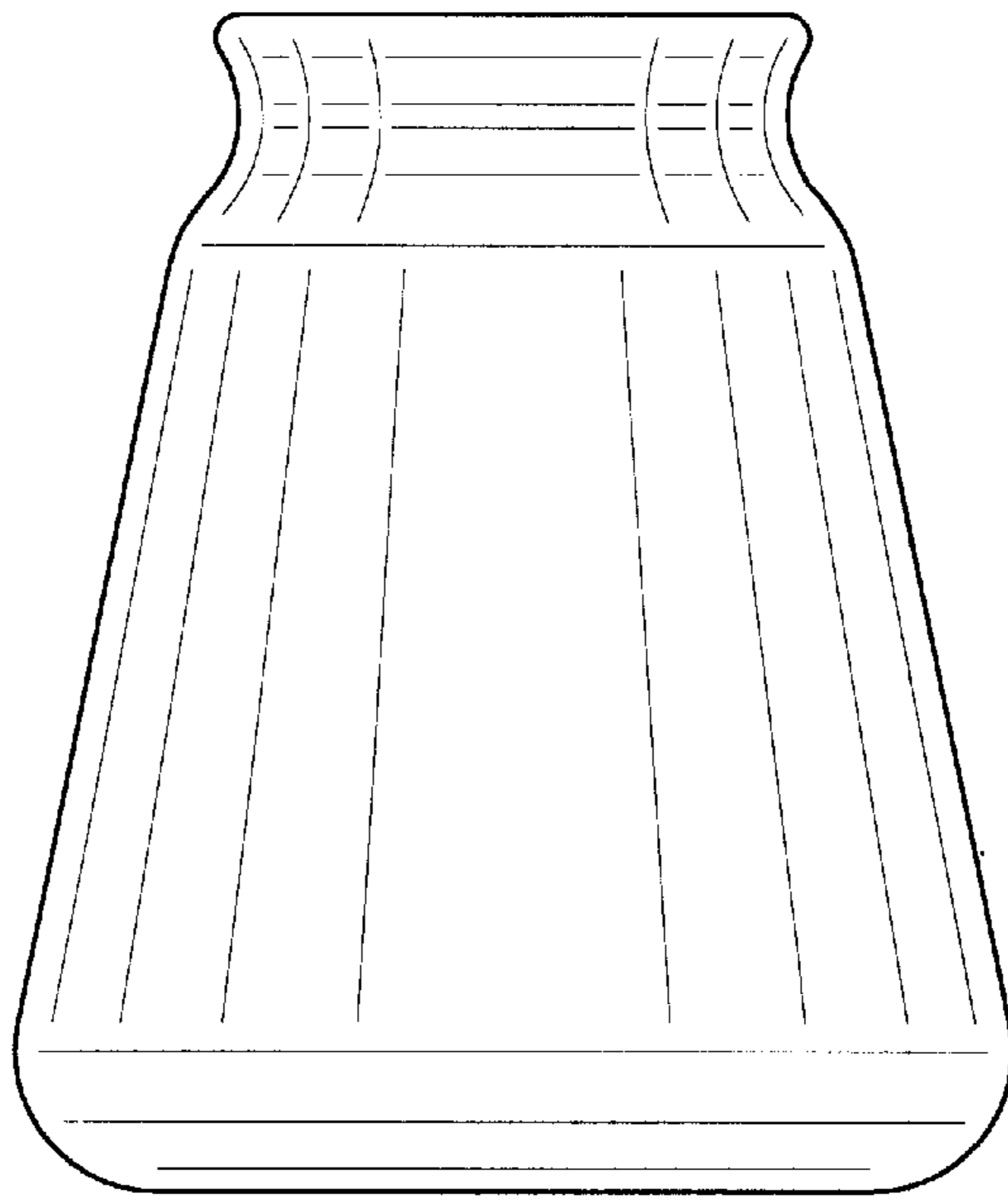


Fig. 5

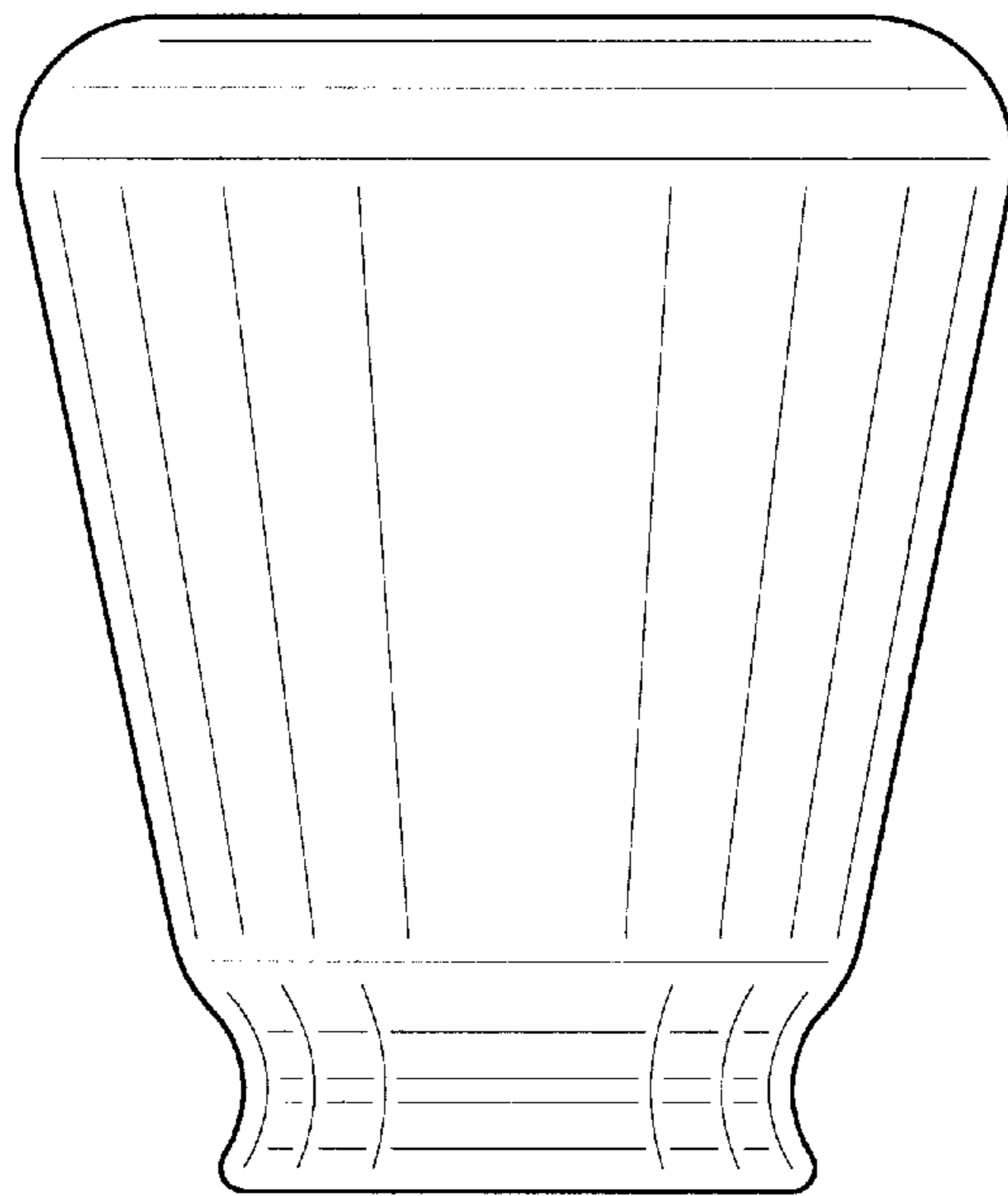


Fig. 6