



US00D402873S

United States Patent [19]

Warner et al.

[11] Patent Number: **Des. 402,873**

[45] Date of Patent: ****Dec. 22, 1998**

[54] PNEUMATIC FASTENER DRIVING TOOL

5,727,726 3/1998 Lin 227/120 X

[75] Inventors: **Jim F. Warner**, Hoboken; **Robert J. Croft**, Jersey City, both of N.J.

Primary Examiner—Antoine Duval Davis
Attorney, Agent, or Firm—Jerrold J. Litzinger

[73] Assignee: **Senco Products, Inc.**, Cincinnati, Ohio

[57] **CLAIM**

[**] Term: **14 Years**

The ornamental design for a penumatic fastener driving tool, as shown and described.

[21] Appl. No.: **74,839**

DESCRIPTION

[22] Filed: **Aug. 8, 1997**

FIG. 1 is a perspective view of a pneumatic fastener driving tool showing our new design, looking at the top, front, and left side;
FIG. 2 is a left side elevational view thereof;
FIG. 3 is a top plan view thereof;
FIG. 4 is a bottom plan view thereof;
FIG. 5 is a front elevational view thereof; and
FIG. 6 is a rear elevational view thereof; and,
FIG. 7 is a right side elevational view thereof.

[51] LOC (6) Cl. **08-02**

[52] U.S. Cl. **D8/69**

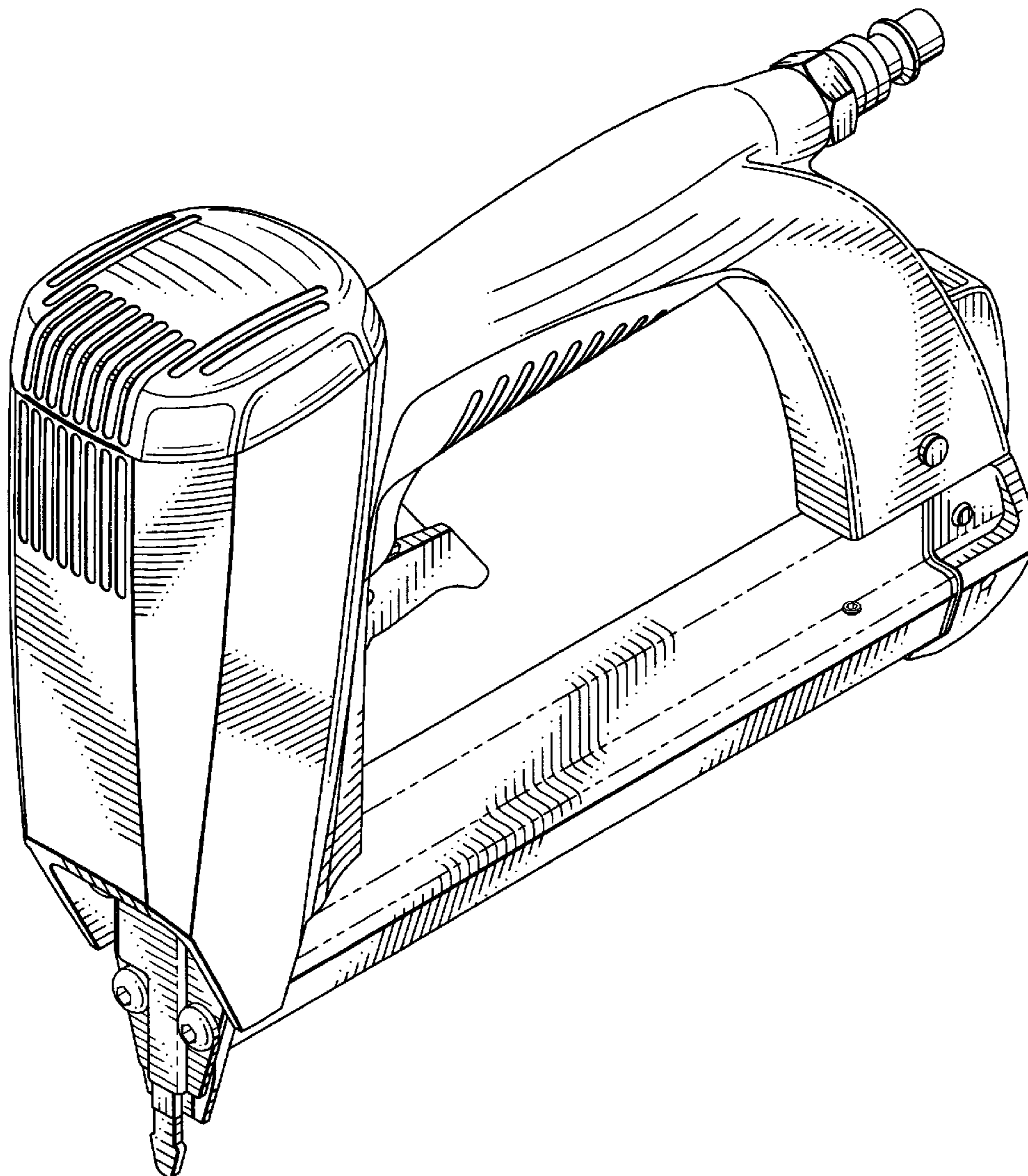
[58] Field of Search D8/61, 69, 68;
227/8, 10, 120, 130

[56] **References Cited**

U.S. PATENT DOCUMENTS

D. 365,974 1/1996 Matuschek D8/69
5,588,577 12/1996 Chen 227/120

1 Claim, 5 Drawing Sheets



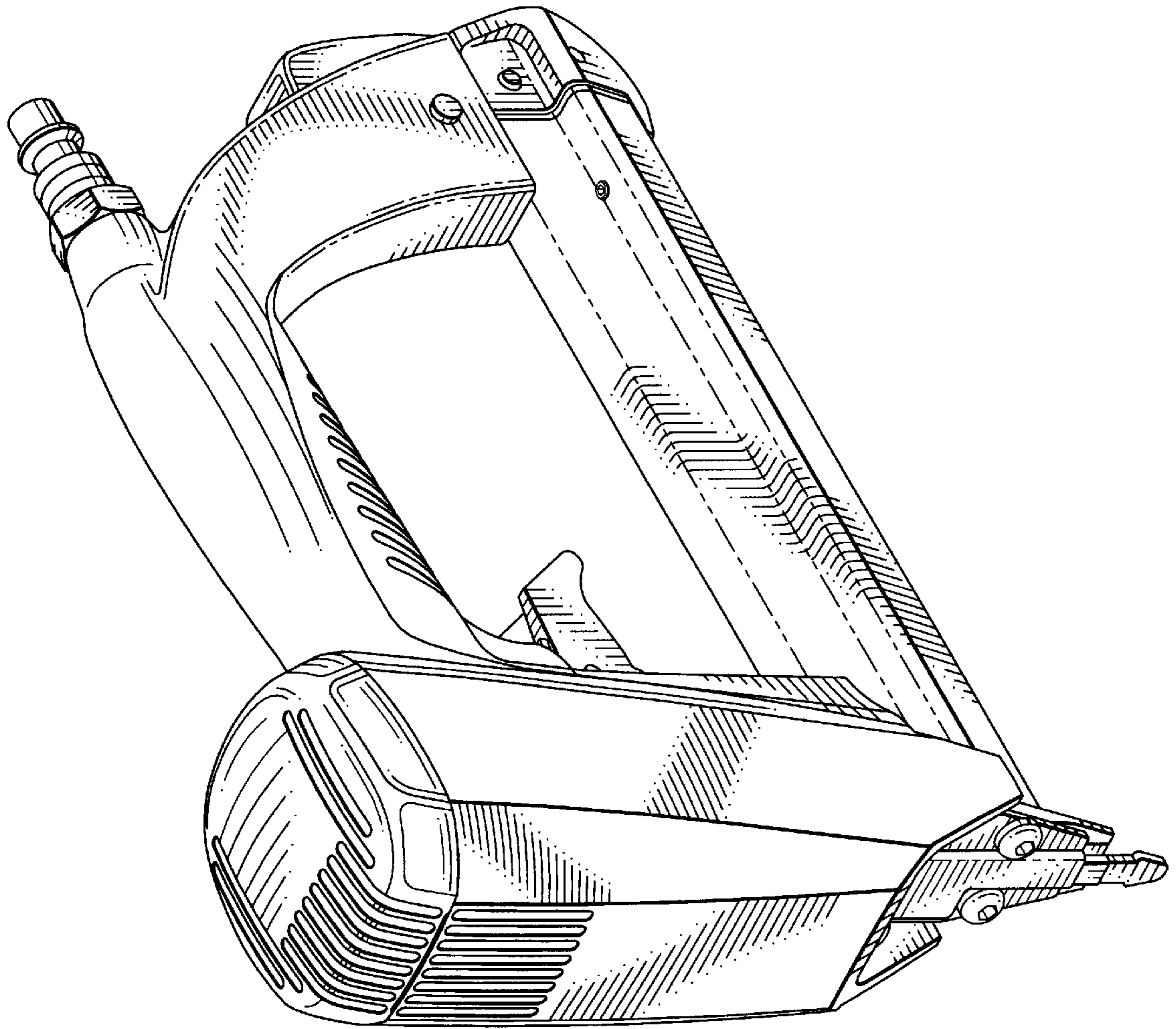


FIG. 1

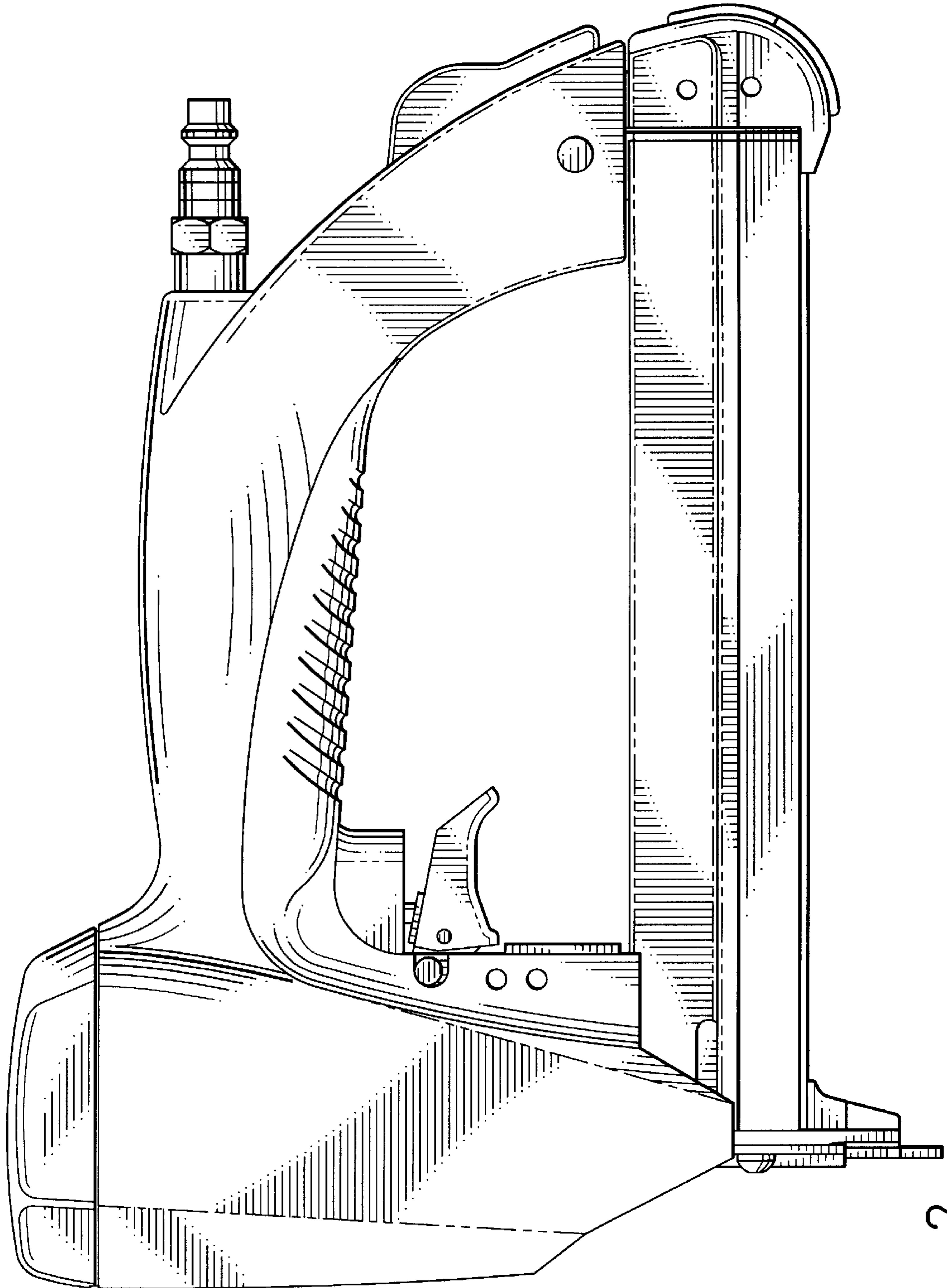


FIG. 2

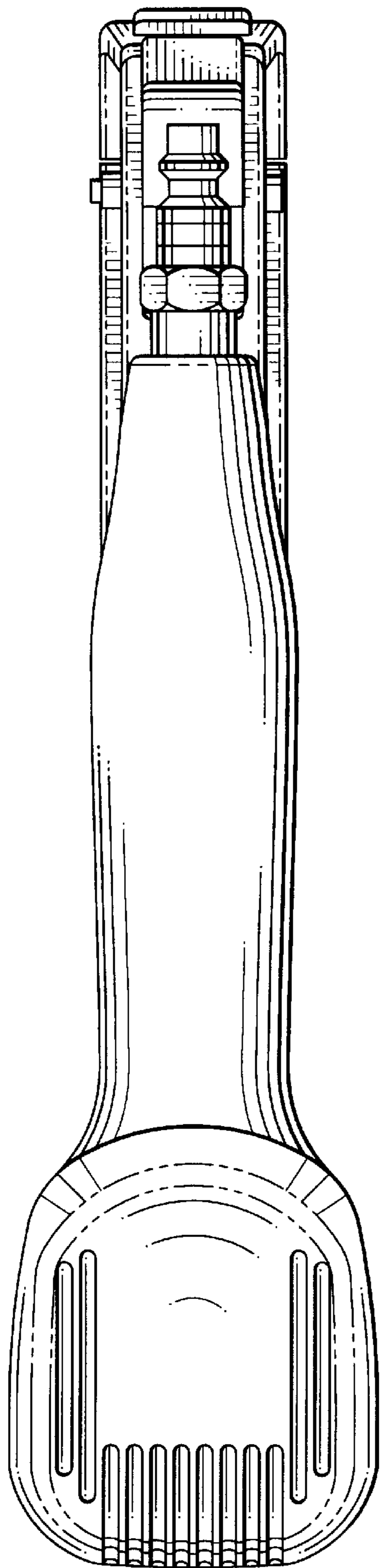


FIG. 3

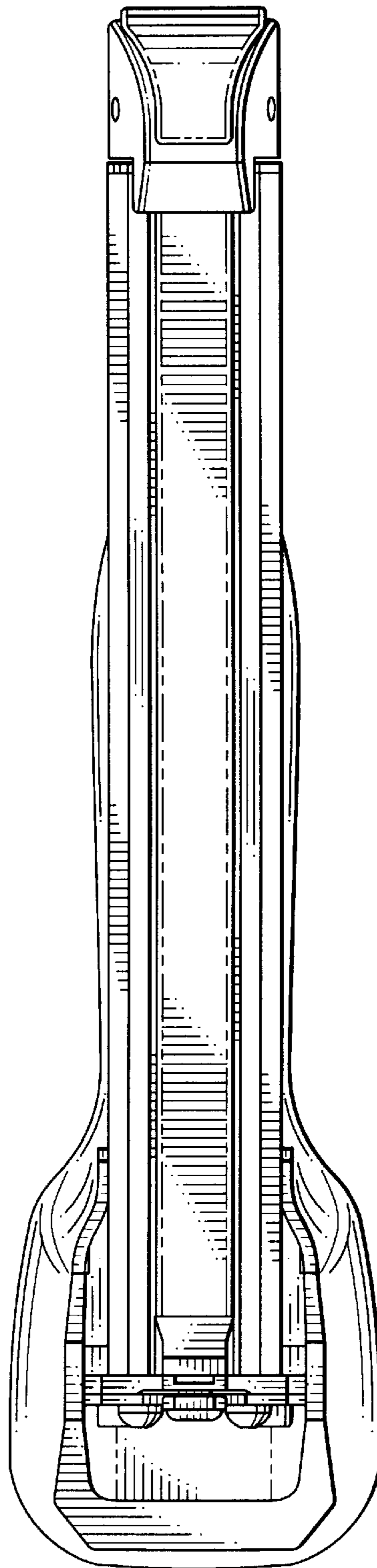


FIG. 4

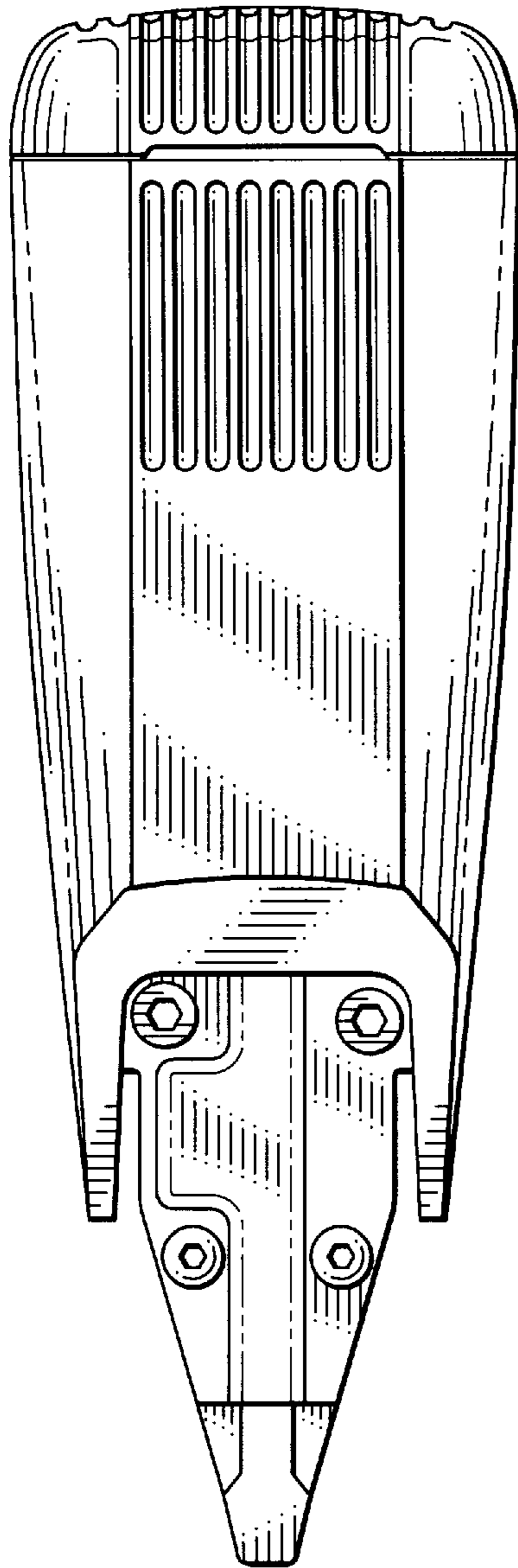


FIG. 5

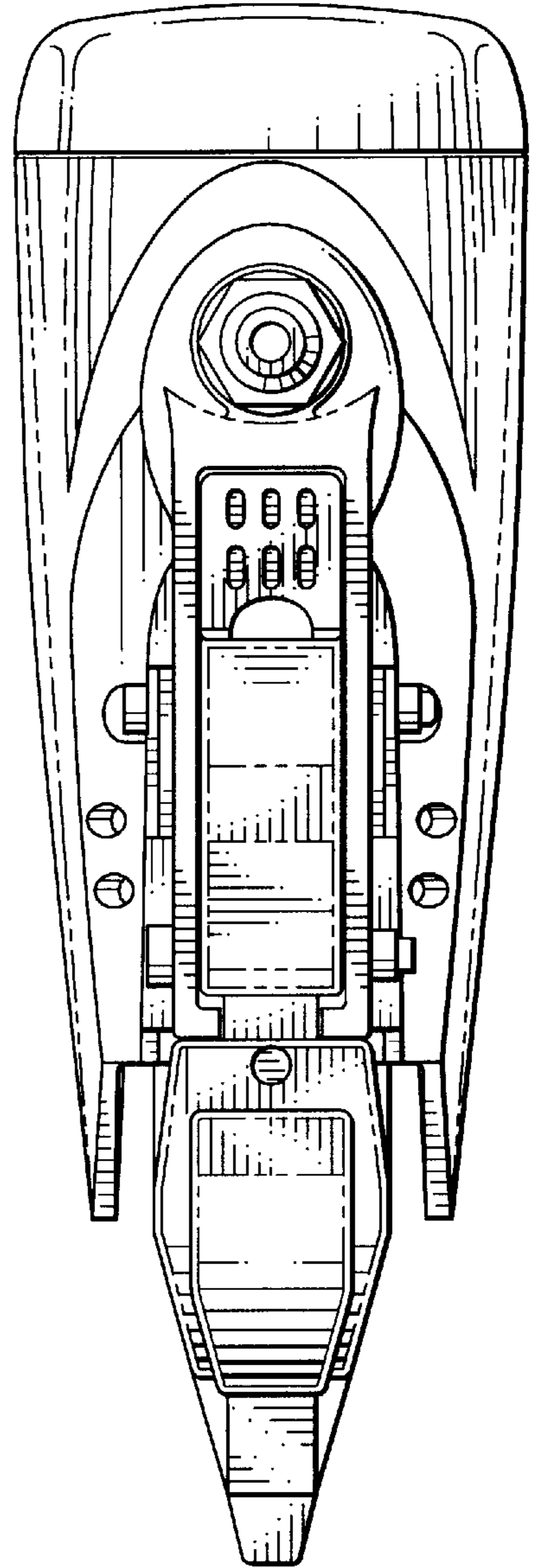


FIG. 6

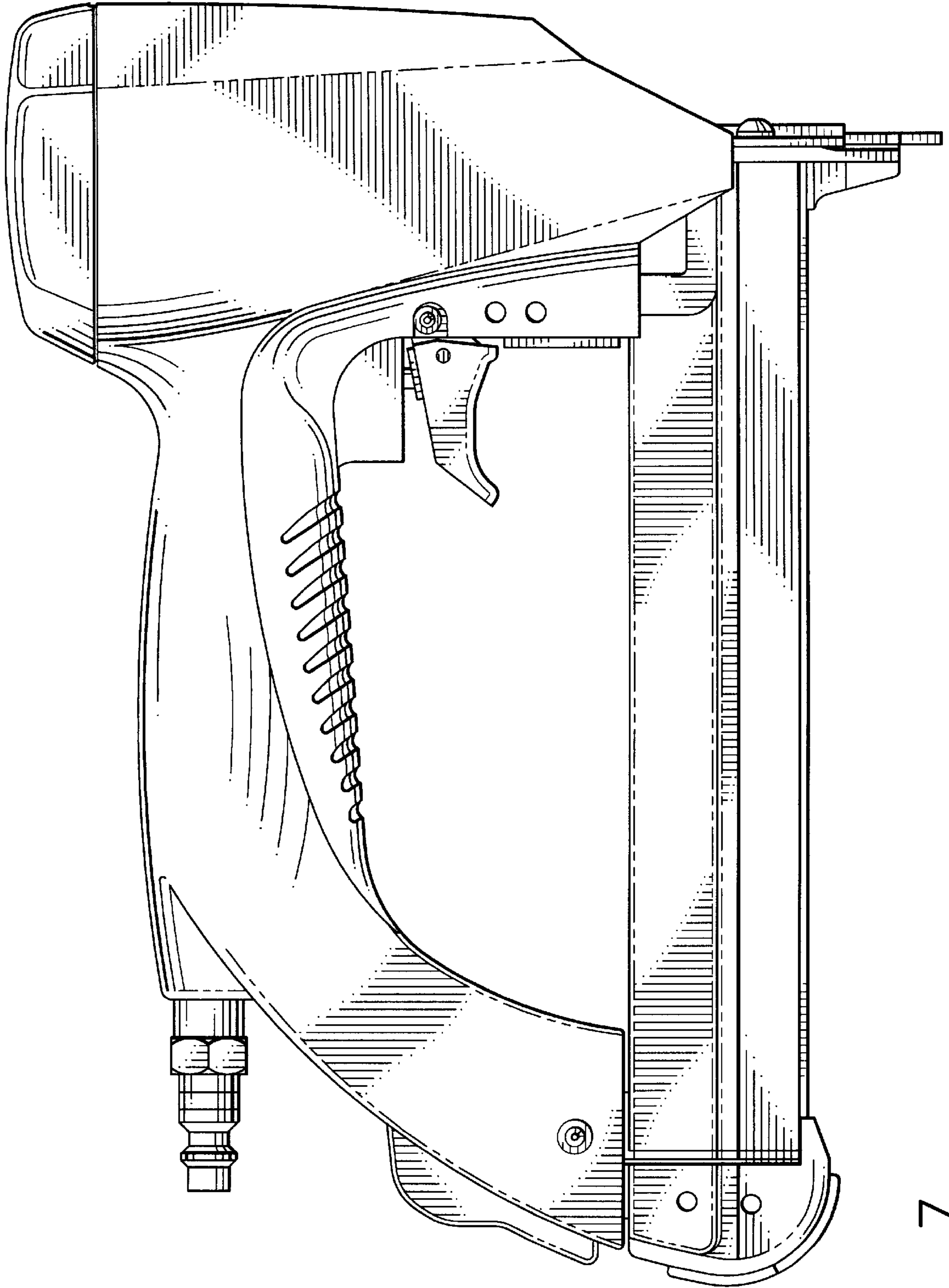


FIG. 7