



US00D402872S

# United States Patent [19]

Clowers et al.

[11] Patent Number: Des. 402,872

[45] Date of Patent: \*\*Dec. 22, 1998

[54] BATTERY POWERED PUSH-HANDLE DRILL

[75] Inventors: Earl Clowers; Mark A. Etter, both of Jackson, Tenn.

[73] Assignee: Porter-Cable Corporation, Jackson, Tenn.

[\*\*] Term: 14 Years

[21] Appl. No.: 83,105

[22] Filed: Dec. 22, 1997

[51] LOC (6) Cl. .... 08-03

[52] U.S. Cl. .... D8/68

[58] Field of Search ..... D8/68; 74/371; 81/57.11, 57.13, 57.14, 57.43, 177.6, 436, 438; 178/178, 217

### [56] References Cited

#### U.S. PATENT DOCUMENTS

- D. 325,860 5/1992 Fushiya et al. .... D8/68
- D. 343,105 1/1994 Shibata et al. .... D8/68

#### OTHER PUBLICATIONS

- “1995 Tools On Sale”, p. 10, Models Makita 6211DW and Makita 6311DW.
- “1995 Tools On Sale”, p. 11, Models Porter Cable 9840, Porter Cable 9853 and Hitachi D10DFK.
- “1995 Tools On Sale”, p. 12, Model Ryobi TFD 222VRK.
- “1995 Tools On Sale”, p. 13, Model Milwaukee 0406-1.
- “1995 Tools On Sale”, p. 14, Model Milwaukee 0422-1.
- “1995 Tools On Sale”, p. 15, Model Bosch 3053VSRK.
- “1995 Tools On Sale”, p. 16, Model AEG ABSE15S.
- “1995 Tools On Sale”, p. 17 DeWalt Models DW944K-2, DW962K-2, DW952K, DW967K, DW945K-2, DW953K, and DW972K-2.
- “1995 Tools On Sale”, p. 18, DeWalt Models DW979K, DW976K, DW977K, DW978K, DW991K, and DW996K.
- “1995 Tools On Sale”, p. 19, Panasonic Model EY62821DKW.

(List continued on next page.)

Primary Examiner—Antoine Duval Davis

Attorney, Agent, or Firm—Merchant, Gould, Smith, Edell, Welter & Schmidt, P.A.

### [57] CLAIM

The ornamental design for a battery powered push-handle drill, as shown and described.

### DESCRIPTION

FIG. 1 is a front and top right perspective view of a battery powered push-handle drill having a rechargeable battery with a first voltage capacity;

FIG. 2 is a front elevational view of the battery powered push-handle drill shown in FIG. 1;

FIG. 3 is a rear elevational view of the battery powered push-handle drill shown in FIG. 1;

FIG. 4 is a right side elevational view of the battery powered push-handle drill shown in FIG. 1;

FIG. 5 is a left side elevational view of the battery powered push-handle drill shown in FIG. 1;

FIG. 6 is a top plan view of the battery powered push-handle drill shown in FIG. 1;

FIG. 7 is a bottom plan view of the battery powered push-handle drill shown in FIG. 1;

FIG. 8 is a front and top right perspective view of a battery powered push-handle drill having a rechargeable battery with a second voltage capacity;

FIG. 9 is a front elevational view of the battery powered push-handle drill shown in FIG. 8;

FIG. 10 is a rear elevational view of the battery powered push-handle drill shown in FIG. 8;

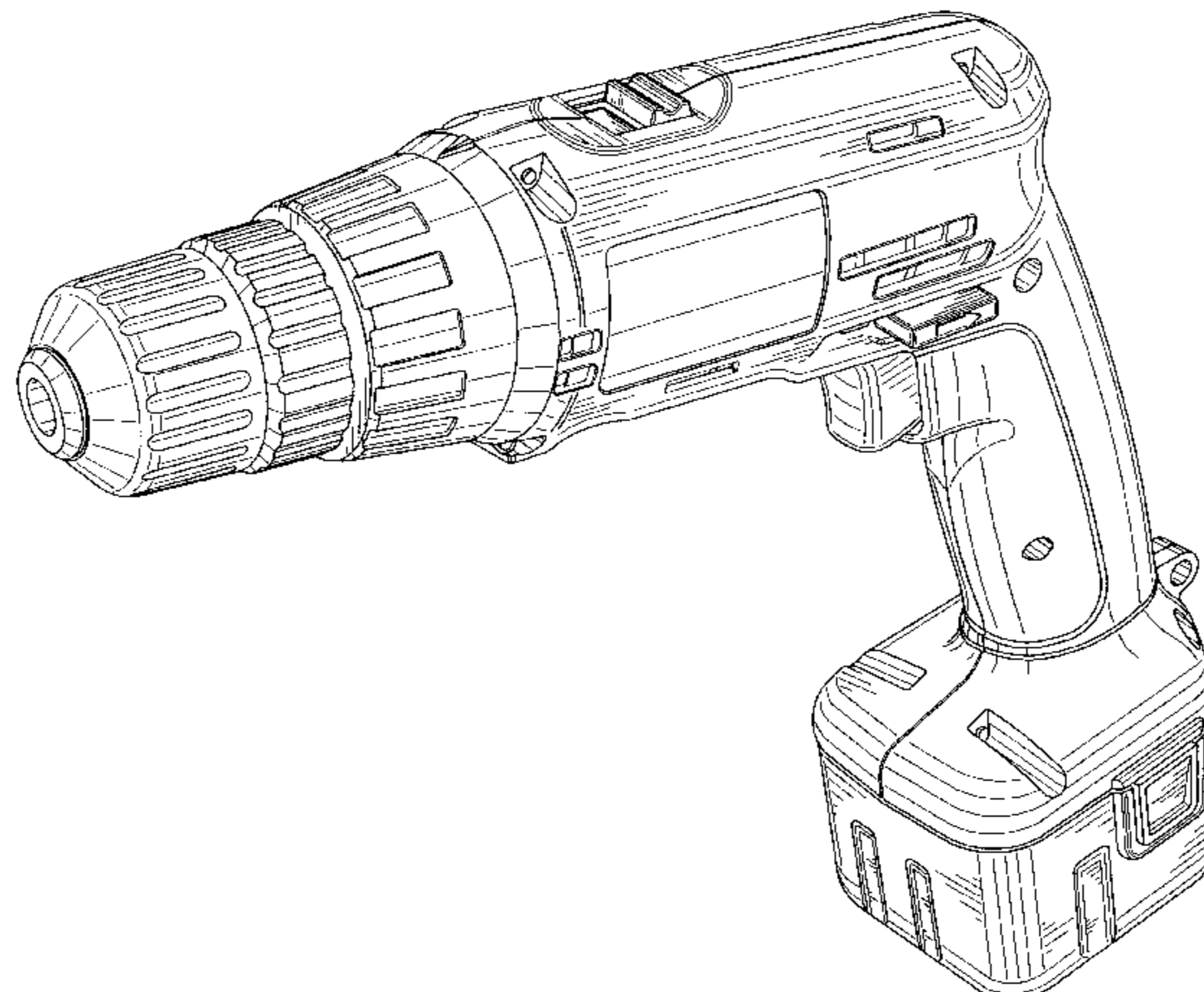
FIG. 11 is a right side elevational view of the battery powered push-handle drill shown in FIG. 8;

FIG. 12 is a left side elevational view of the battery powered push-handle drill shown in FIG. 8;

FIG. 13 is a top plan view of the battery powered push-handle drill shown in FIG. 8; and,

FIG. 14 is a bottom plan view of the battery powered push-handle drill shown in FIG. 8.

1 Claim, 10 Drawing Sheets



OTHER PUBLICATIONS

“1995 Tools On Sale”, p. 20, Panasonic Models EY6100CRKW, EY6100EQK, EY6100CQKW, EY6205EQK, and EY6207EQK.

“DeWalt High Performance Industrial Tools & Accessories”, 1995 Power Tools & Accessories Catalog, p. 6, DeWalt Model DW942R.

“DeWalt High Performance Industrial Tools & Accessories”, 1995 Power Tools & Accessories Catalog, p. 7, DeWalt Model DW961K-2.

“DeWalt High Performance Industrial Tools & Accessories”, 1995 Power Tools & Accessories Catalog, p. 8, DeWalt Models DW964K-2 and DW971K-2.

“DeWalt High Performance Industrial Tools & Accessories”, 1995 Power Tools & Accessories Catalog, p. 9, DeWalt Model DW974KQ.

“DeWalt High Performance Industrial Tools & Accessories”, 1995 Power Tools & Accessories Catalog, p. 10, DeWalt Models DW994KQ and DW967K.

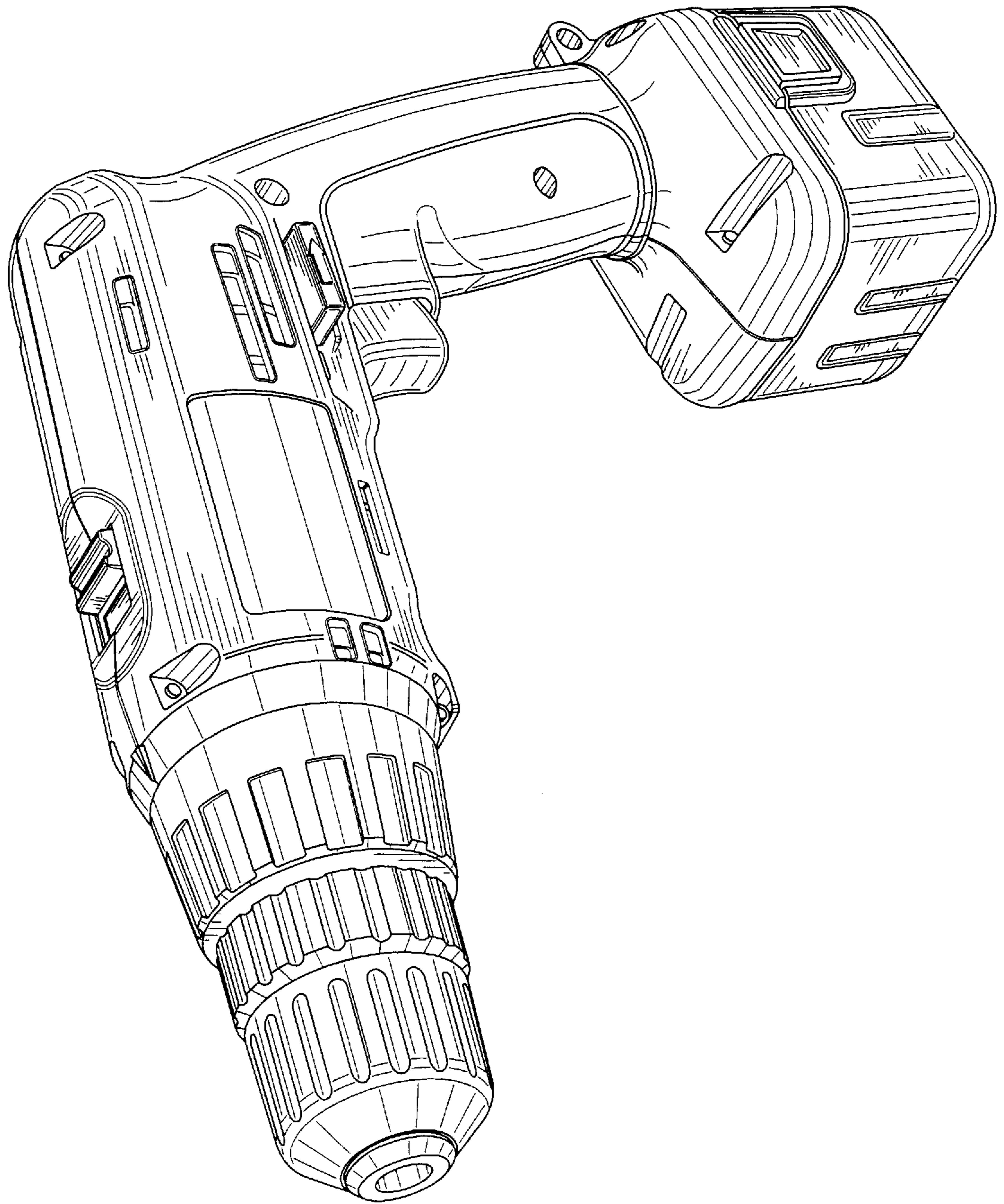


FIG. 1

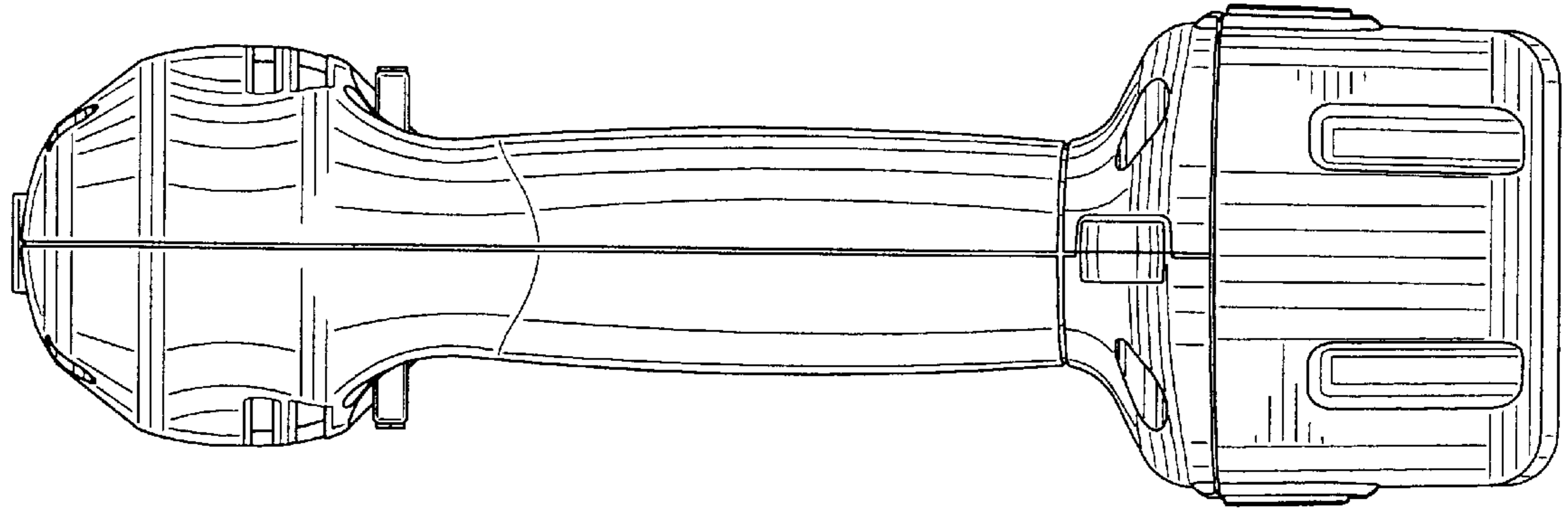


FIG. 3

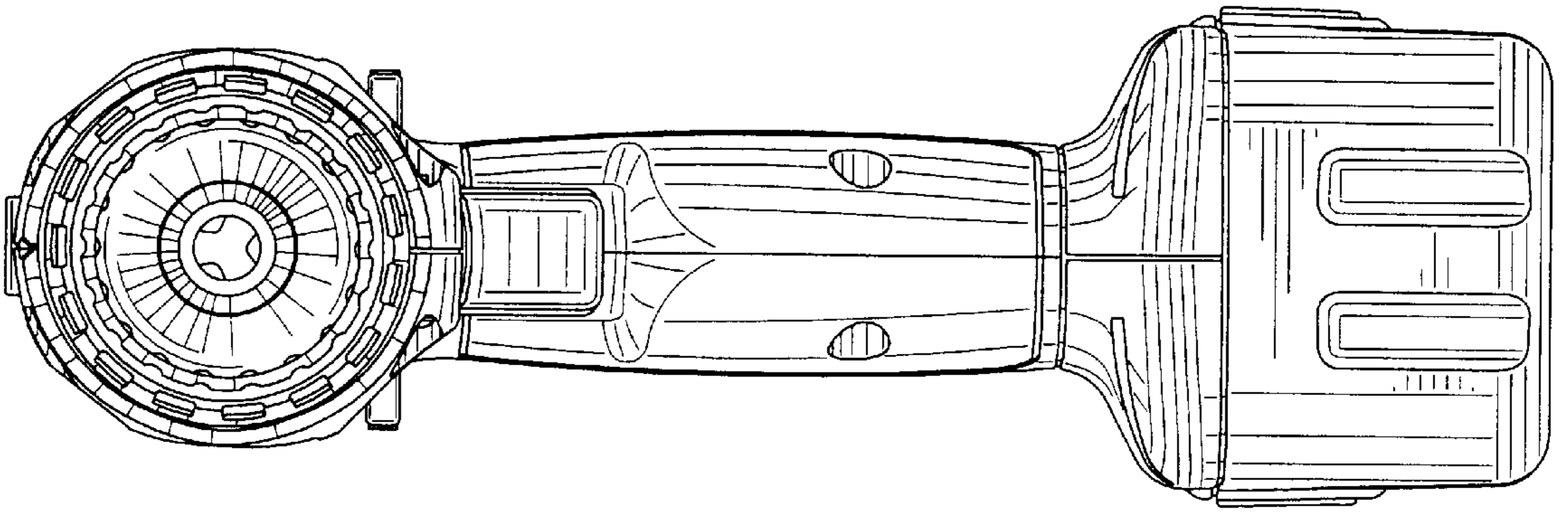


FIG. 2

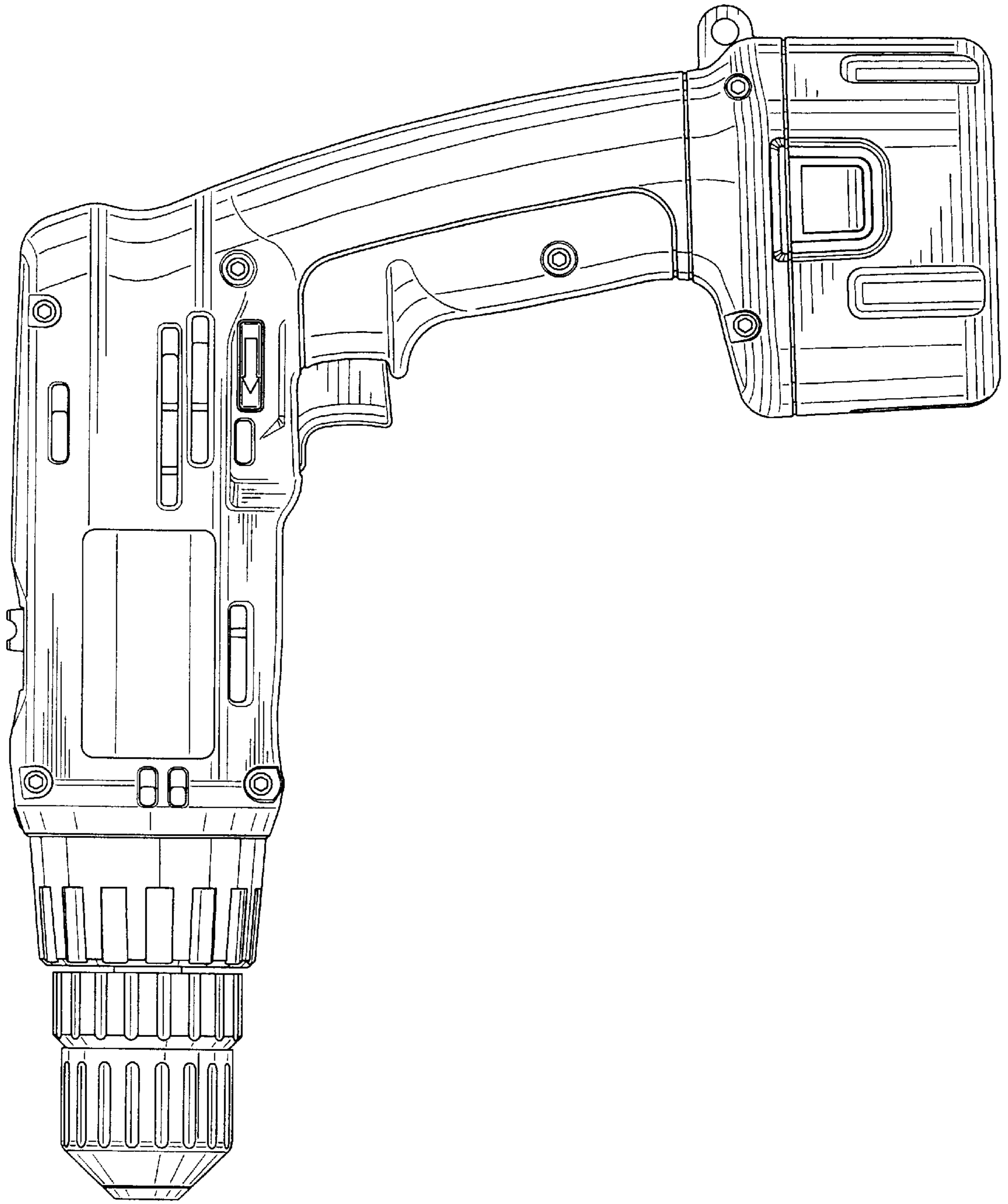


FIG. 4

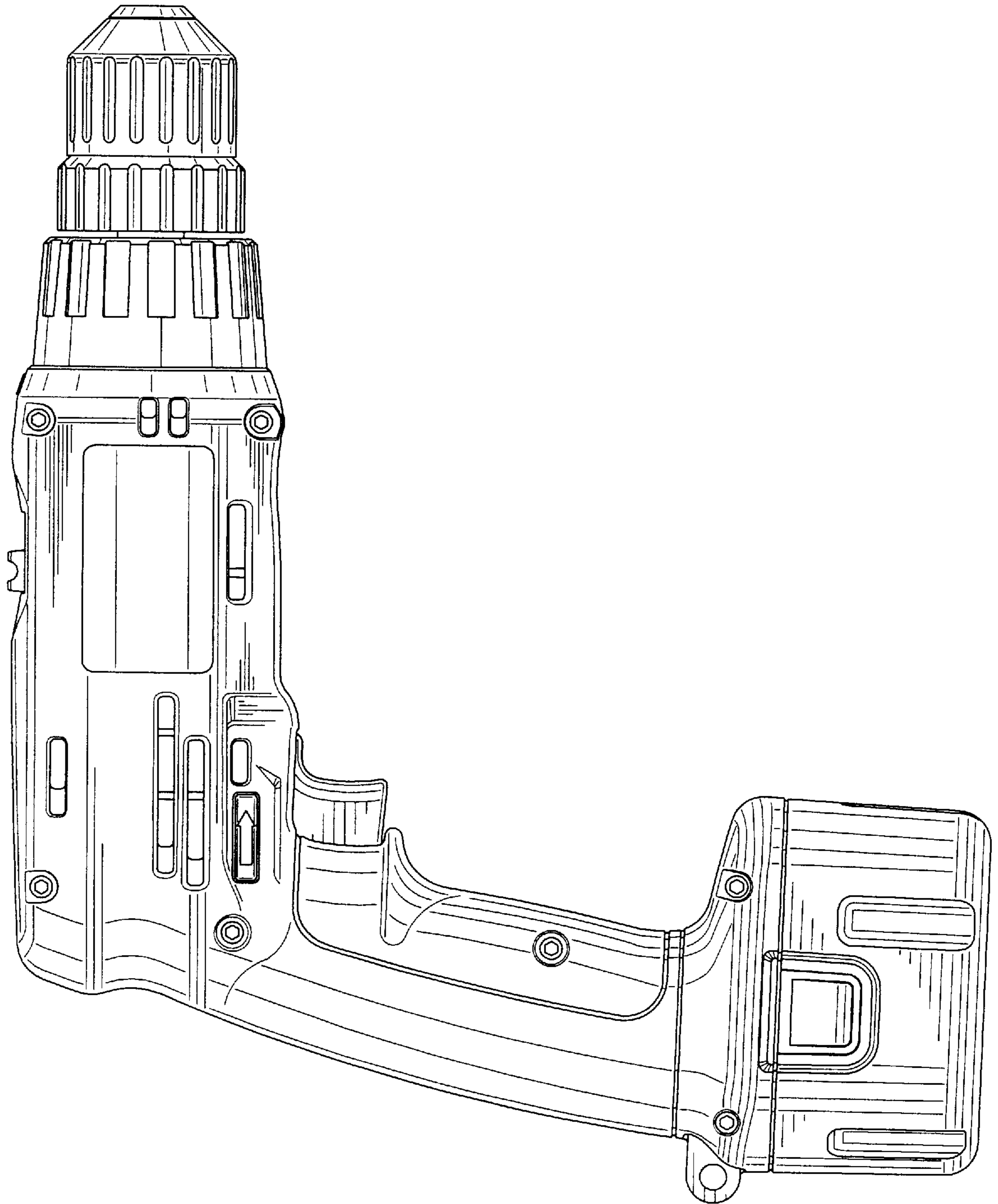


FIG. 5

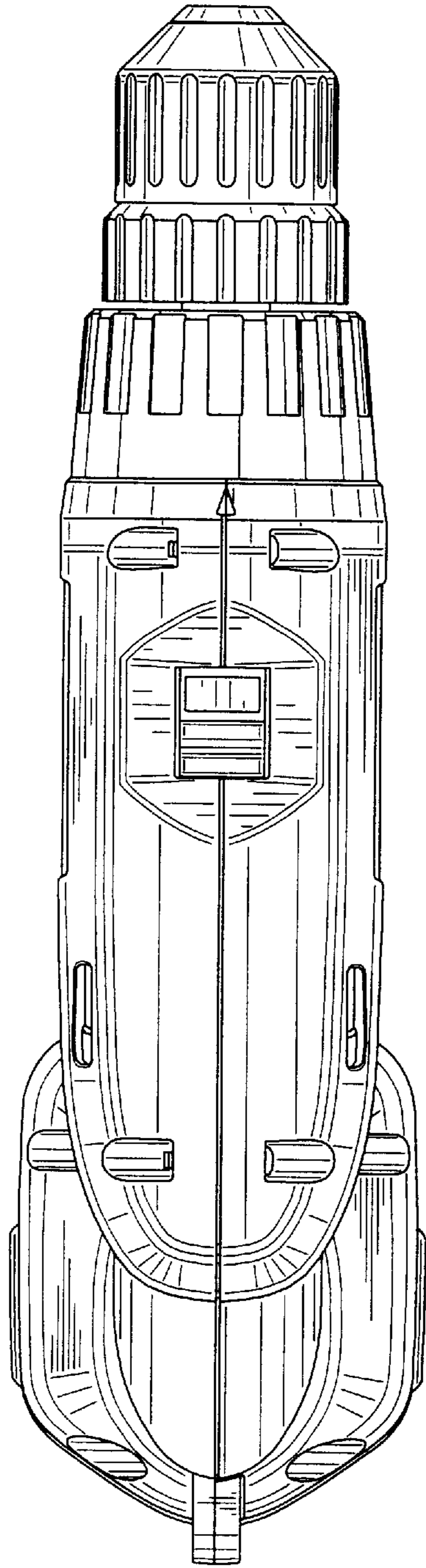


FIG. 6

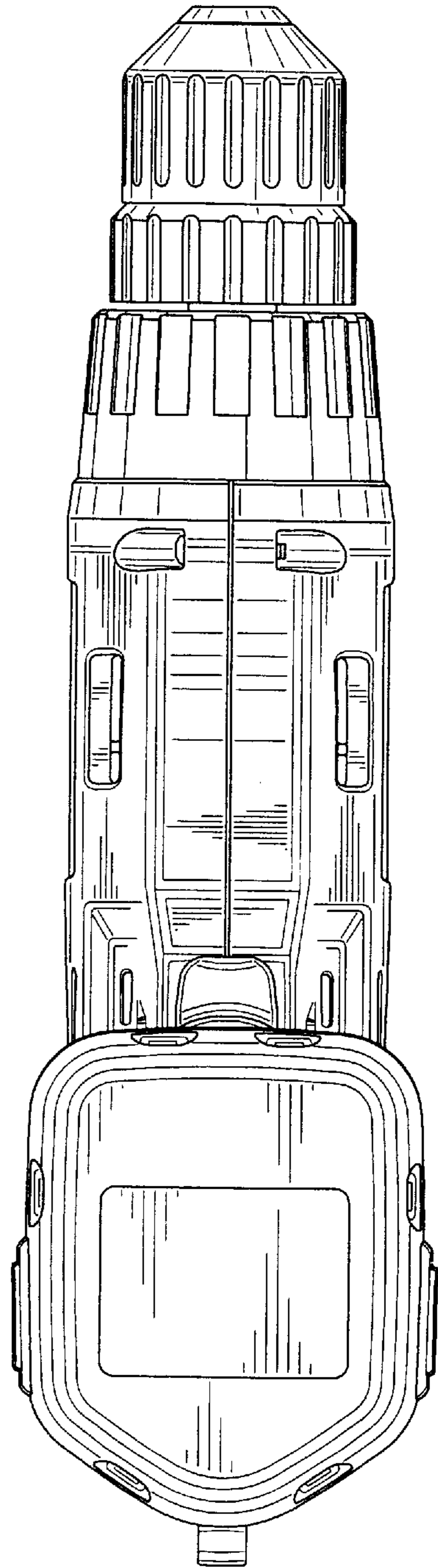


FIG. 7

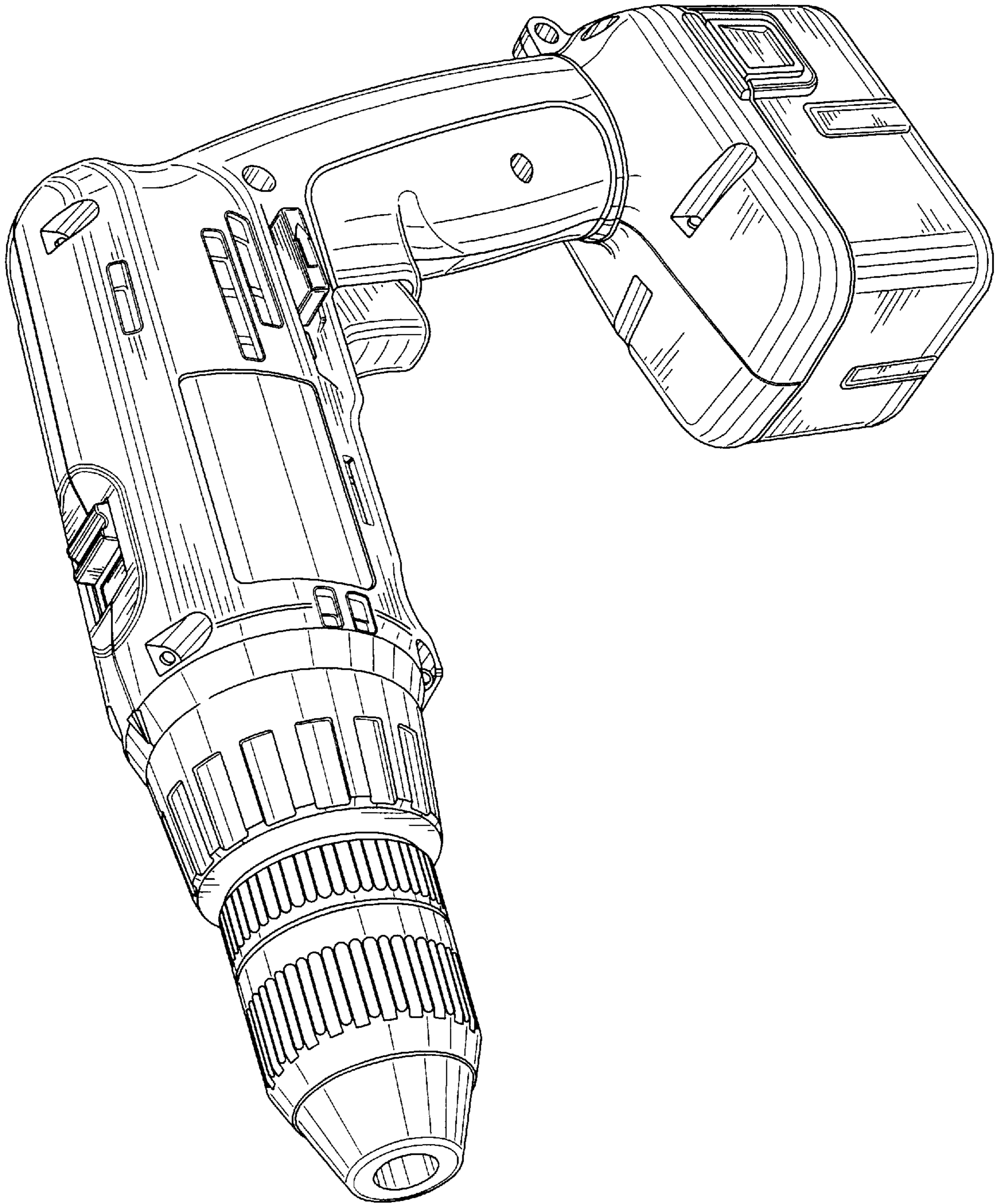


FIG. 8



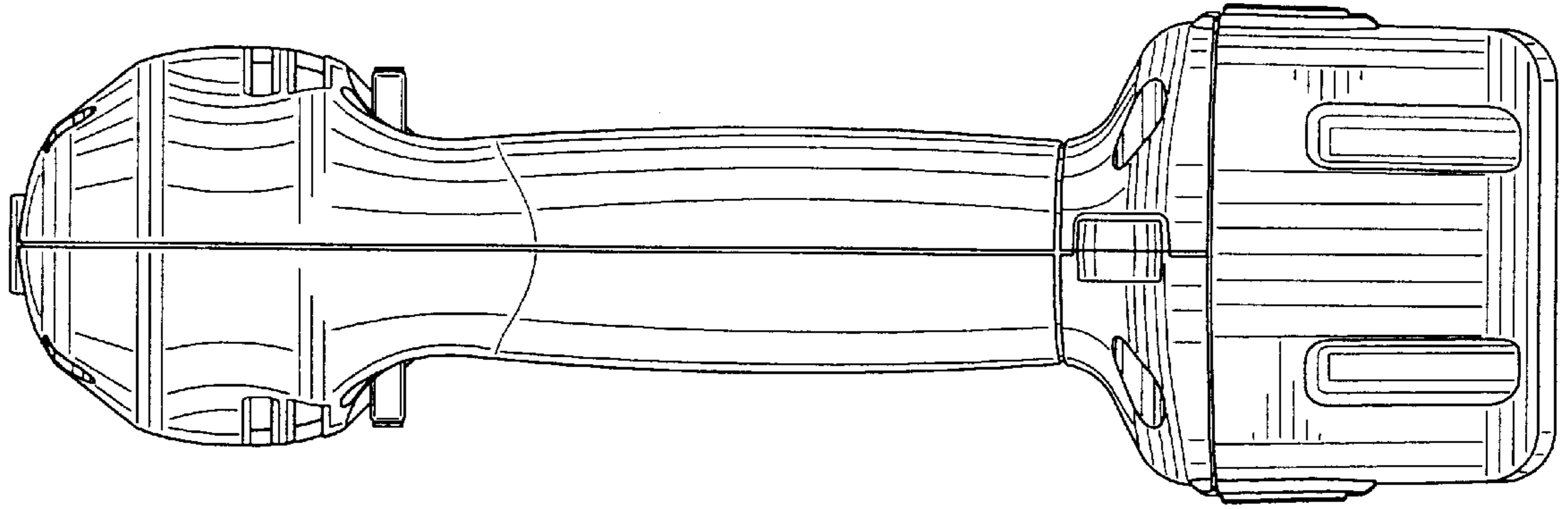


FIG. 9

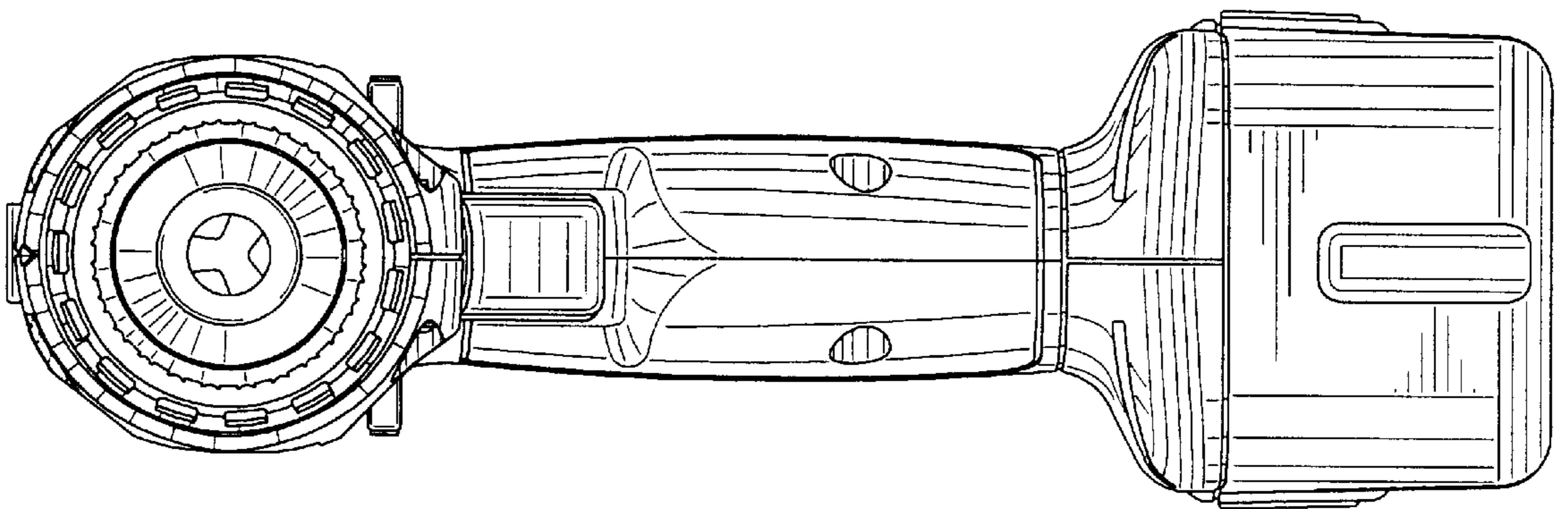


FIG. 10

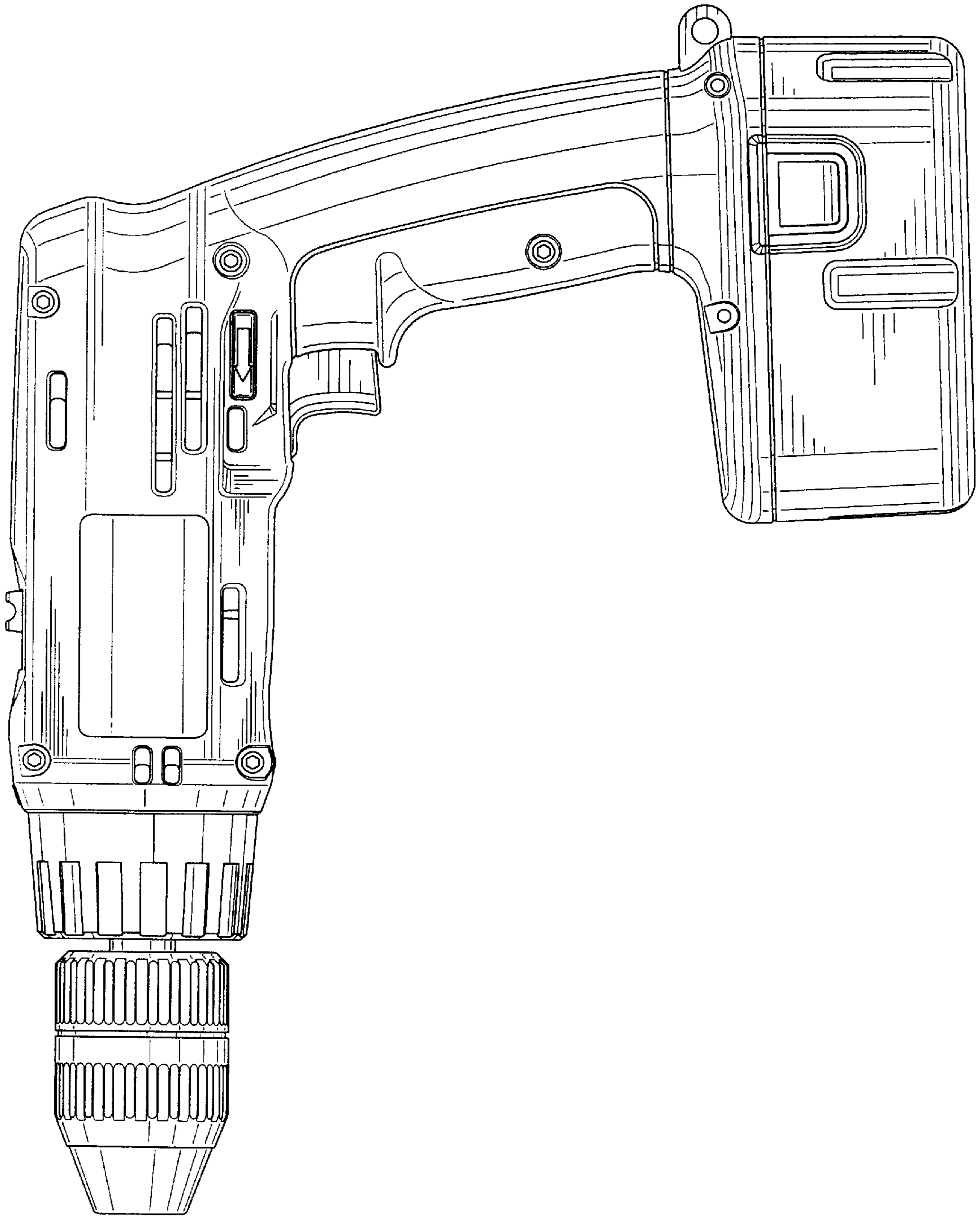


FIG. 11

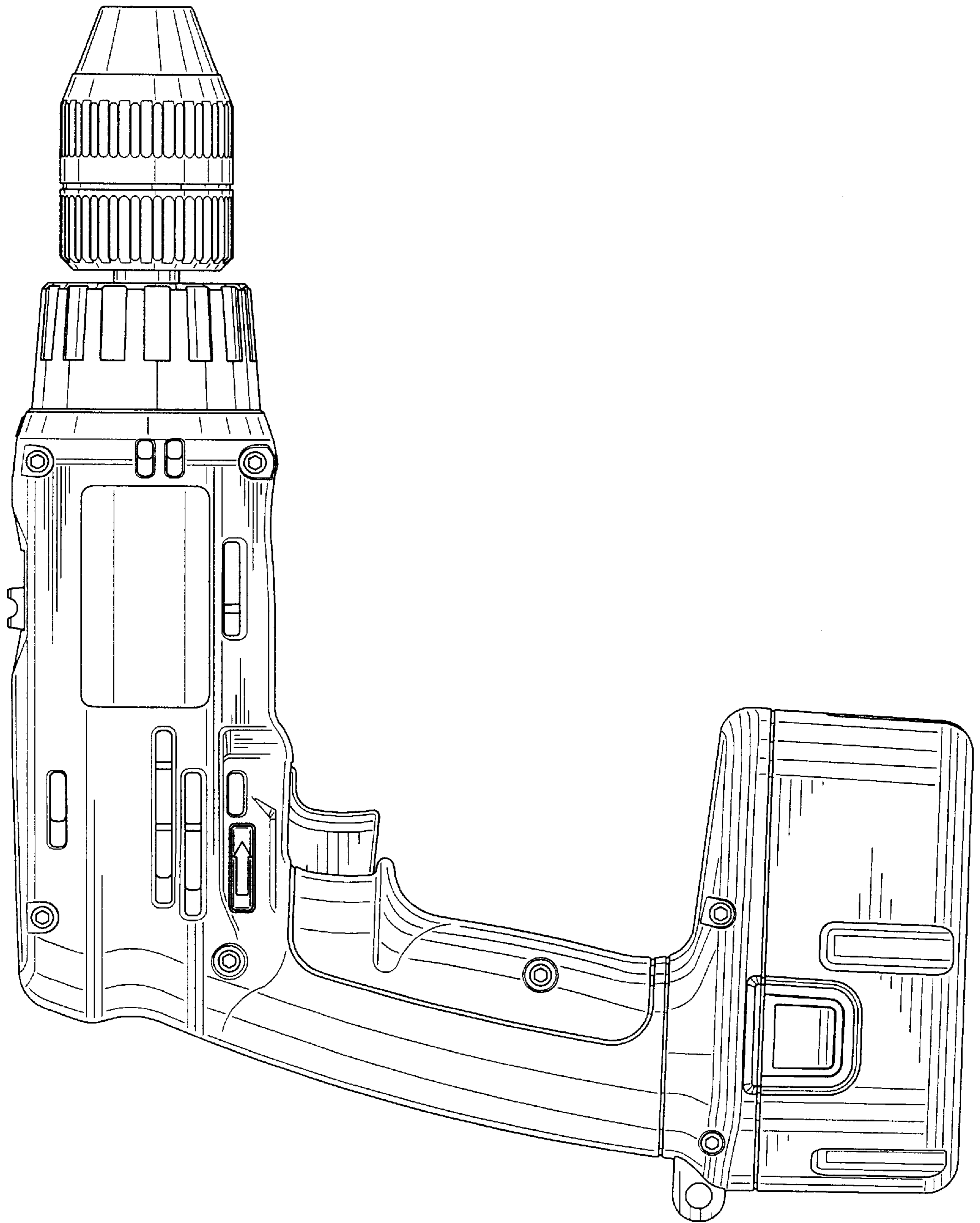


FIG. 12

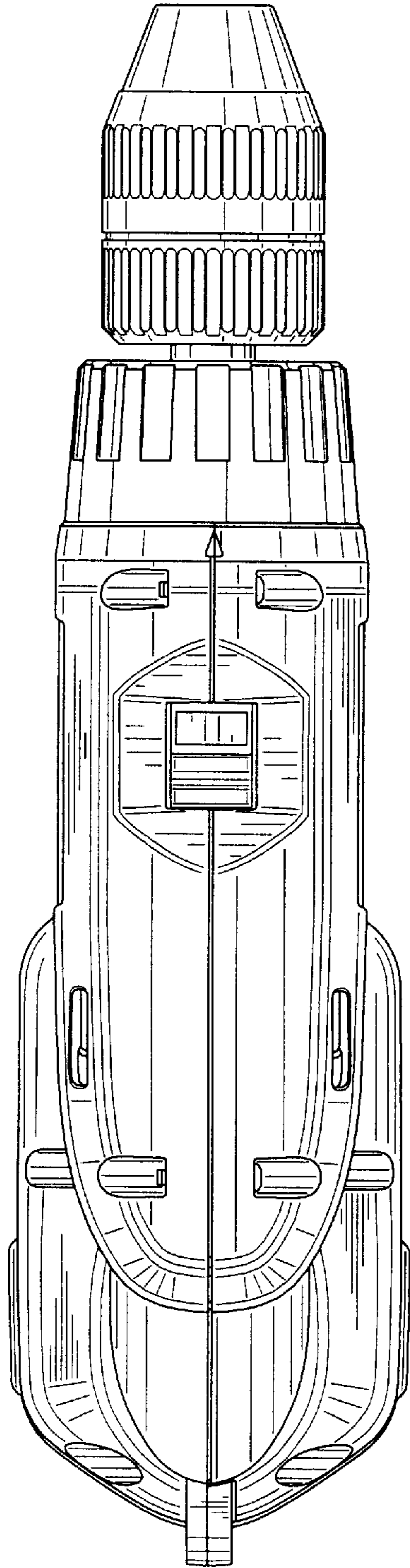


FIG. 13

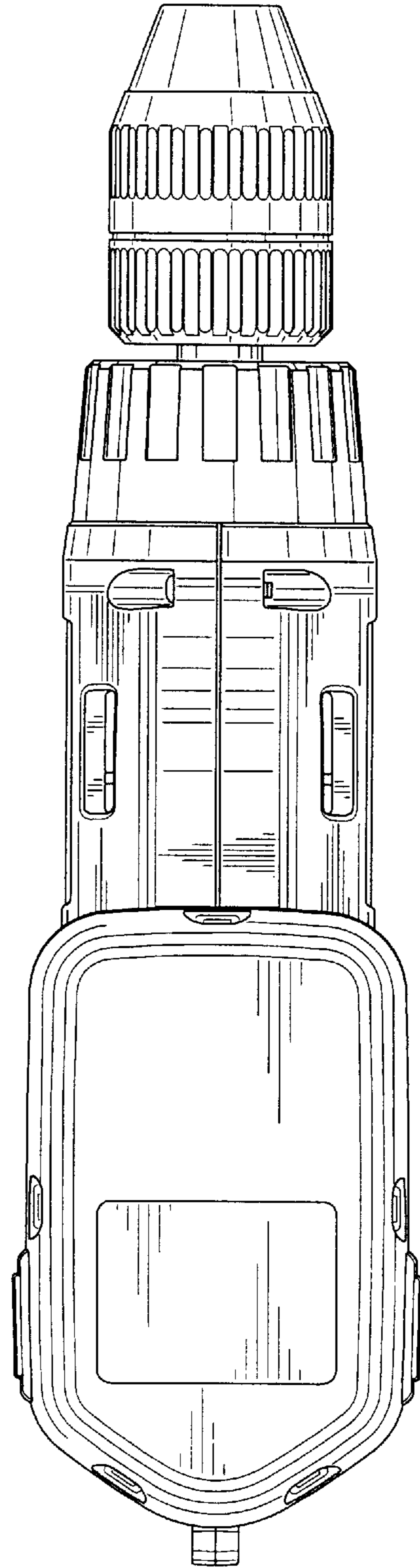


FIG. 14

UNITED STATES PATENT AND TRADEMARK OFFICE  
CERTIFICATE OF CORRECTION

PATENT NO. : Des. 402,872  
DATED : DECEMBER 22, 1998  
INVENTOR(S) : CLOWERS ET AL.

It is certified that error appears in the above-identified patent and that said Letters Patent is hereby corrected as shown below: On the title page,

Description, line 11: "push-hand" should read --push-handle--

Description, line 12: "push-hand" should read --push-handle--

Signed and Sealed this  
Fifteenth Day of June, 1999

Attest:



Q. TODD DICKINSON

Attesting Officer

Acting Commissioner of Patents and Trademarks