



US00D402871S

United States Patent [19]

Clowers et al.

[11] Patent Number: Des. 402,871

[45] Date of Patent: **Dec. 22, 1998

[54] BATTERY POWERED T-HANDLE DRILL

[75] Inventors: Earl Clowers; Mark A. Etter, both of Jackson, Tenn.

[73] Assignee: Porter-Cable Corporation, Jackson, Tenn.

[**] Term: 14 Years

[21] Appl. No.: 73,126

[22] Filed: Jul. 1, 1997

[51] LOC (6) Cl. 08-03

[52] U.S. Cl. D8/68

[58] Field of Search D8/68; 74/371; 81/57.11, 57.13, 57.14, 57.43, 177.6, 436, 438; 178/178, 217

[56] References Cited

U.S. PATENT DOCUMENTS

D. 392,530 3/1998 Lui D8/68

OTHER PUBLICATIONS

“1995 Tools On Sale”, p. 10, Models Makita 6211DW and Makita 6311DW.

“1995 Tools On Sale”, p. 11, Models Porter Cable 9840, Porter Cable 9853 and Hitachi D10DFK.

“1995 Tools On Sale”, p. 12, Model Ryobi TFD 222VRK.

“1995 Tools On Sale”, p. 13, Model Milwaukee 0406-1.

“1995 Tools On Sale”, p. 14, Model Milwaukee 0422-1.

“1995 Tools On Sale”, p. 15, Model Bosch 3053VSRK.

“1995 Tools On Sale”, p. 16, Model AEG ABSE15S.

“1995 Tools On Sale”, p. 17, DeWalt Models DW944K-2, DW962K-2, DW952K, DW967K, DW945K-2, DW953K, and DW972K-2.

“1995 Tools On Sale”, p. 18, DeWalt Models DW979K, DW976K, DW977K, DW978K, DW991K, and DW996K.

“1995 Tools On Sale”, p. 19, Panasonic Model EY62821DKW.

“1995 Tools On Sale”, p. 20, Panasonic Models EY6100CRKW, EY6100EQK, EY6100CQKW, EY6205EQK, and EY6207EQK.

“DeWalt High Performance Industrial Tools & Accessories”, 1995 Power Tools & Accessories Catalog, p. 6, DeWalt Model DW942R.

“DeWalt High Performance Industrial Tools & Accessories”, 1995 Power Tools & Accessories Catalog, p. 7, DeWalt Model DW961K-2.

“DeWalt High Performance Industrial Tools & Accessories”, 1995 Power Tools & Accessories Catalog, p. 8, DeWalt Models DW964K-2 and DW971K-2.

“DeWalt High Performance Industrial Tools & Accessories”, 1995 Power Tools & Accessories Catalog, p. 9, DeWalt Model DW974KQ.

“DeWalt High Performance Industrial Tools & Accessories”, 1995 Power Tools & Accessories Catalog, p. 10, DeWalt Models DW994KQ and DW967K.

Primary Examiner—Antoine Duval Davis
Attorney, Agent, or Firm—Merchant, Gould, Smith, Edell, Welter & Schmidt, P.A.

[57] CLAIM

The ornamental design for a battery powered T-handle drill, as shown and described.

DESCRIPTION

FIG. 1 is a front and top right perspective view of a battery powered T-handle drill having a rechargeable battery with a first voltage capacity;

FIG. 2 is a front elevational view of the battery powered drill shown in FIG. 1;

FIG. 3 is a rear elevational view of the battery powered drill shown in FIG. 1;

FIG. 4 is a right side elevational view of the batter powered drill shown in FIG. 1;

FIG. 5 is a left side elevational view of the battery powered drill shown in FIG. 1;

FIG. 6 is a top plan view of the battery powered drill shown in FIG. 1;

FIG. 7 is a bottom plan view of the battery powered drill shown in FIG. 1;

FIG. 8 is a front and top right perspective view of a battery powered drill having a rechargeable battery with a second voltage capacity;

FIG. 9 is a front elevational view of the battery powered drill shown in FIG. 8;

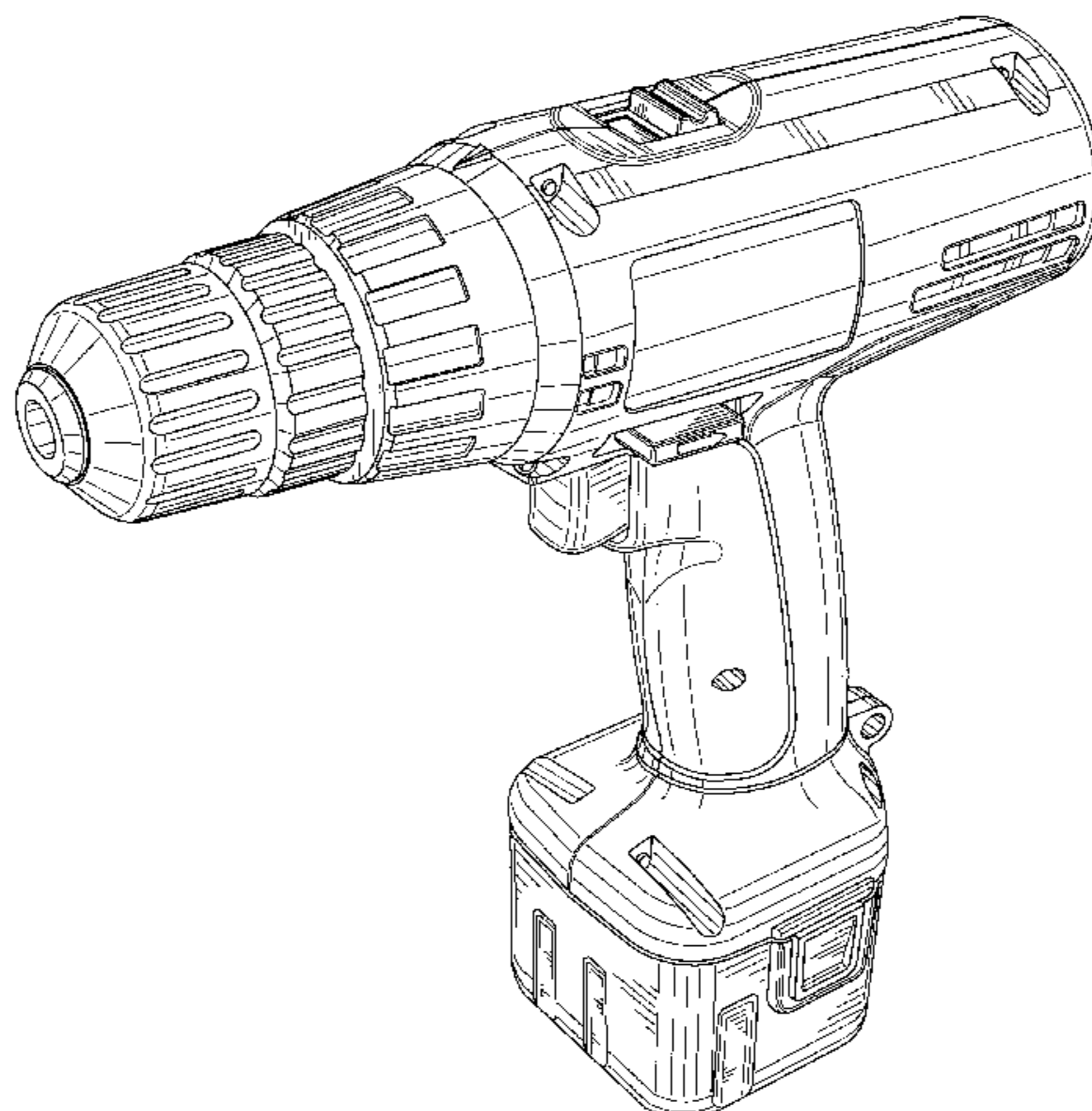


FIG. 10 is a rear elevational view of the battery powered drill shown in FIG. 8;

FIG. 11 is a right side elevational view of the battery powered drill shown in FIG. 8;

FIG. 12 is a left side elevational view of the battery powered drill shown in FIG. 8;

FIG. 13 is a top plan view of the battery powered drill shown in FIG. 8;

FIG. 14 is a bottom plan view of the battery powered drill shown in FIG. 8;

FIG. 15 is a front and top right perspective view of a battery powered drill having a rechargeable battery with a third voltage capacity;

FIG. 16 is a front elevational view of the battery powered drill shown in FIG. 15;

FIG. 17 is a rear elevational view of the battery powered drill shown in FIG. 15;

FIG. 18 is a right side elevational view of the battery powered drill shown in FIG. 15;

FIG. 19 is a left side elevational view of the battery powered drill shown in FIG. 15;

FIG. 20 is a top plan view of the battery powered drill shown in FIG. 15; and,

FIG. 21 is a bottom plan view of the battery powered drill shown in FIG. 15.

1 Claim, 15 Drawing Sheets

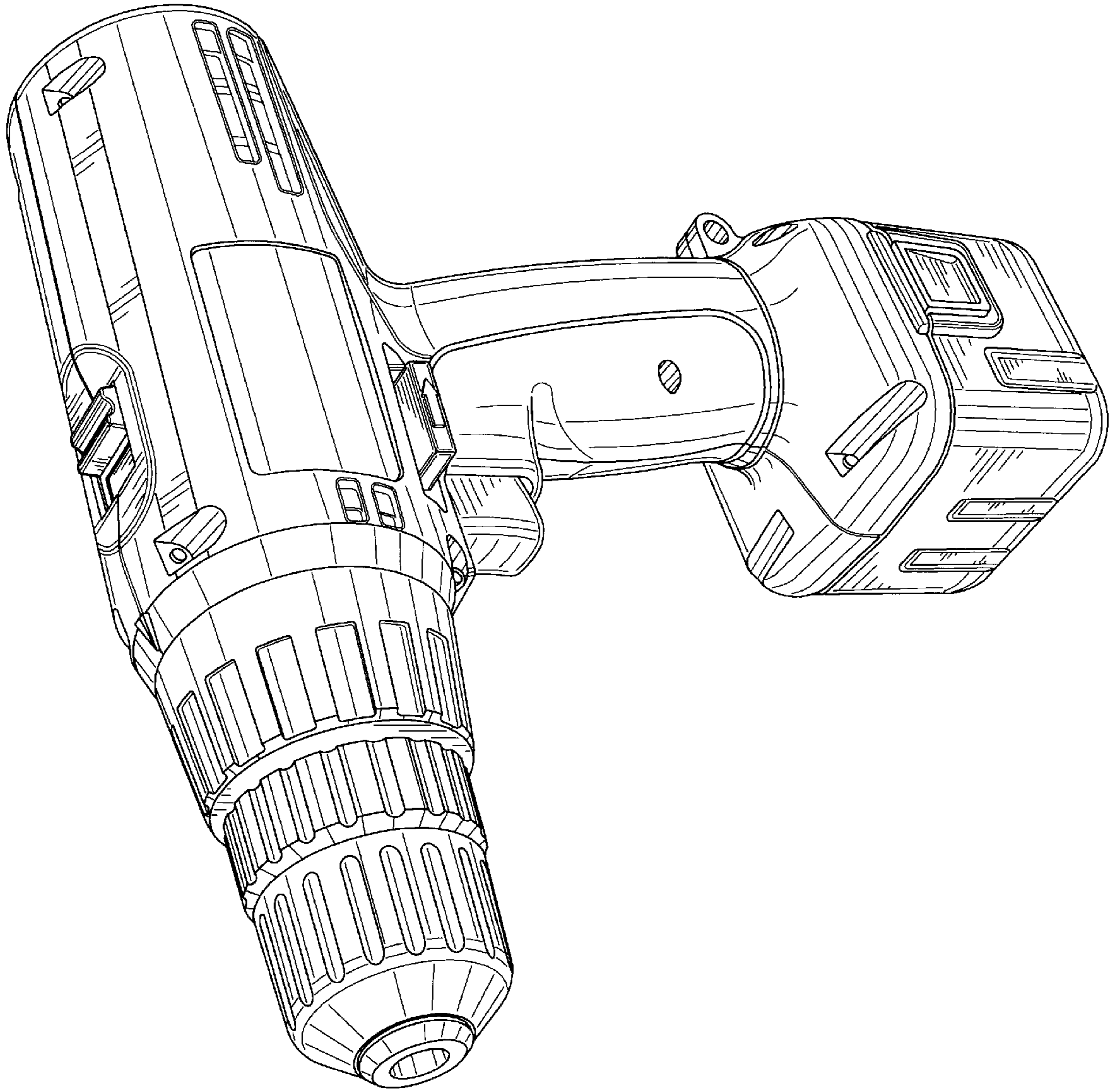


FIG. 1

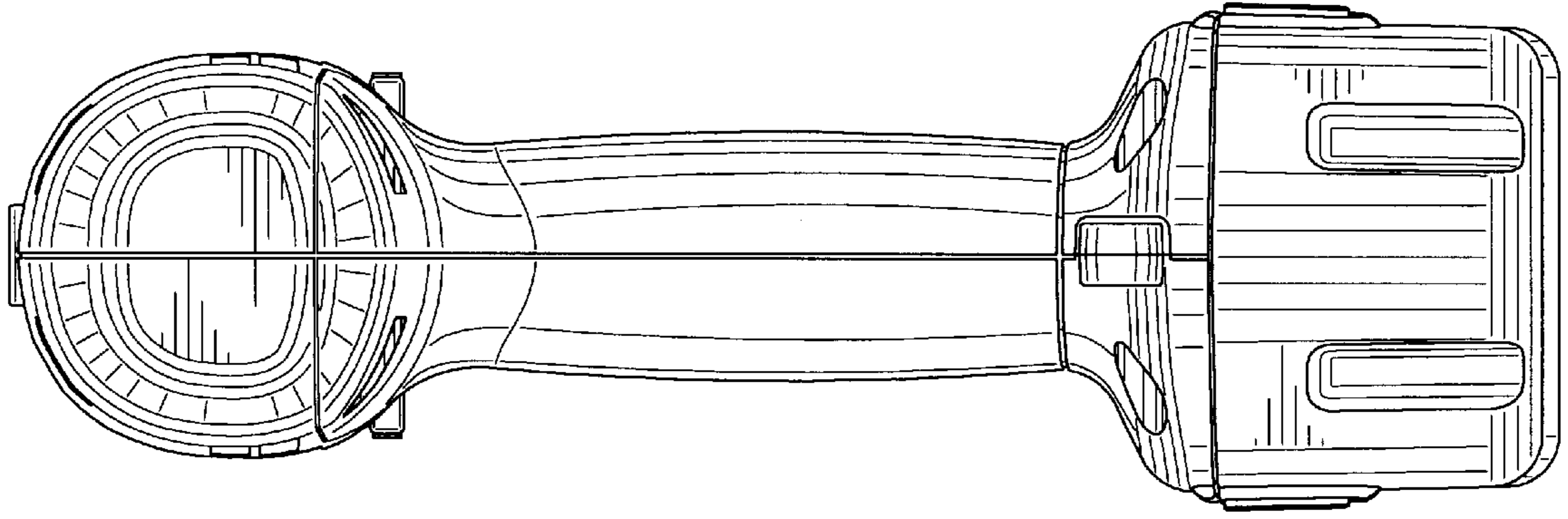


FIG. 3

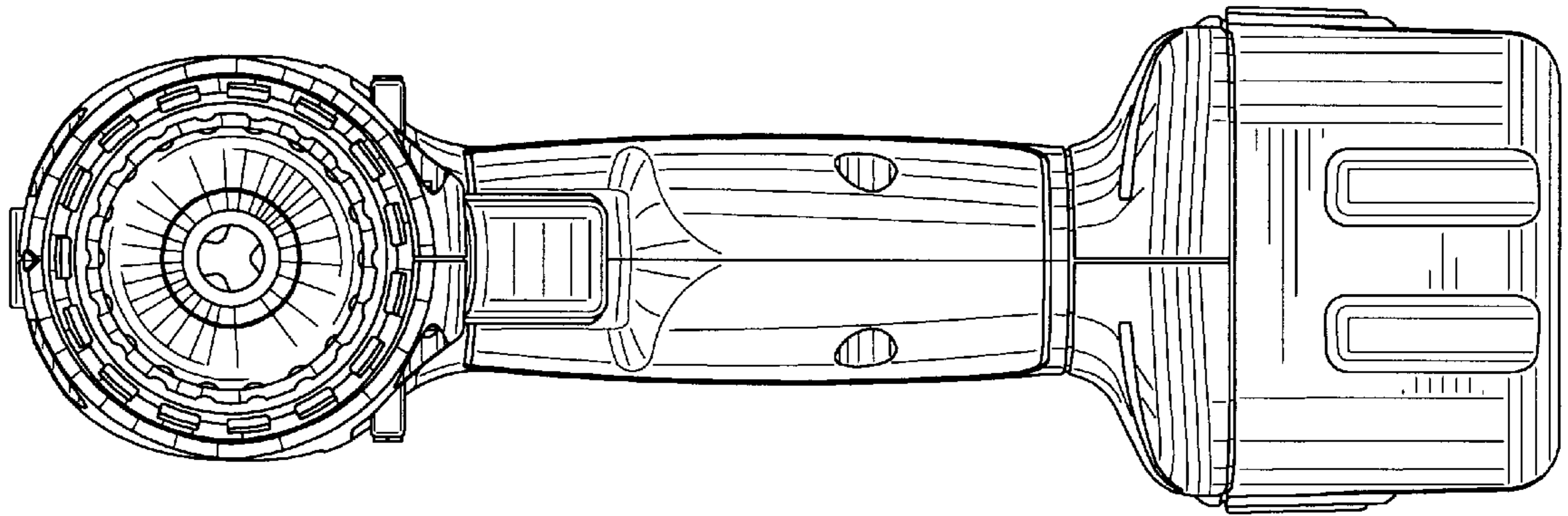


FIG. 2

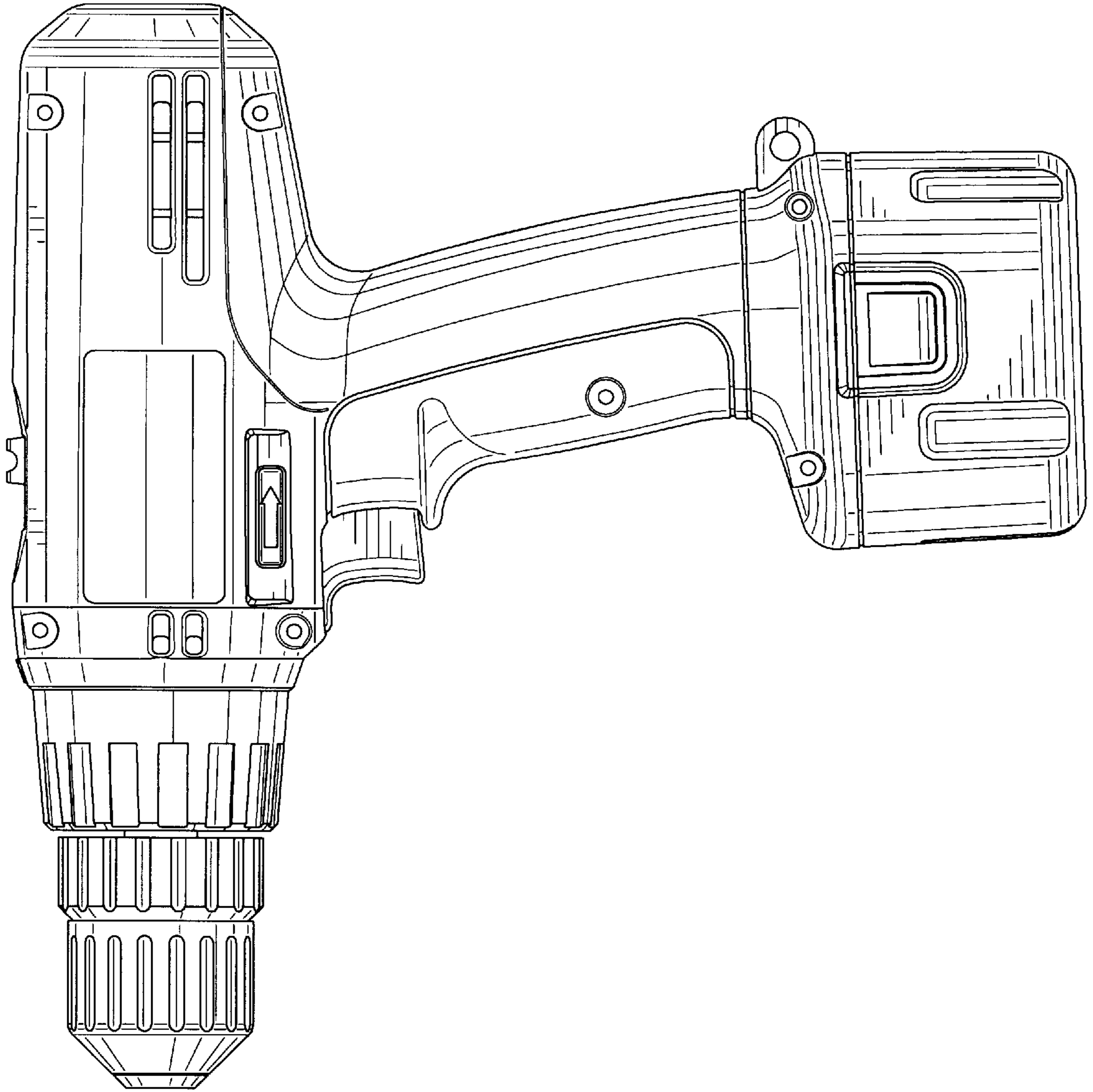


FIG. 4

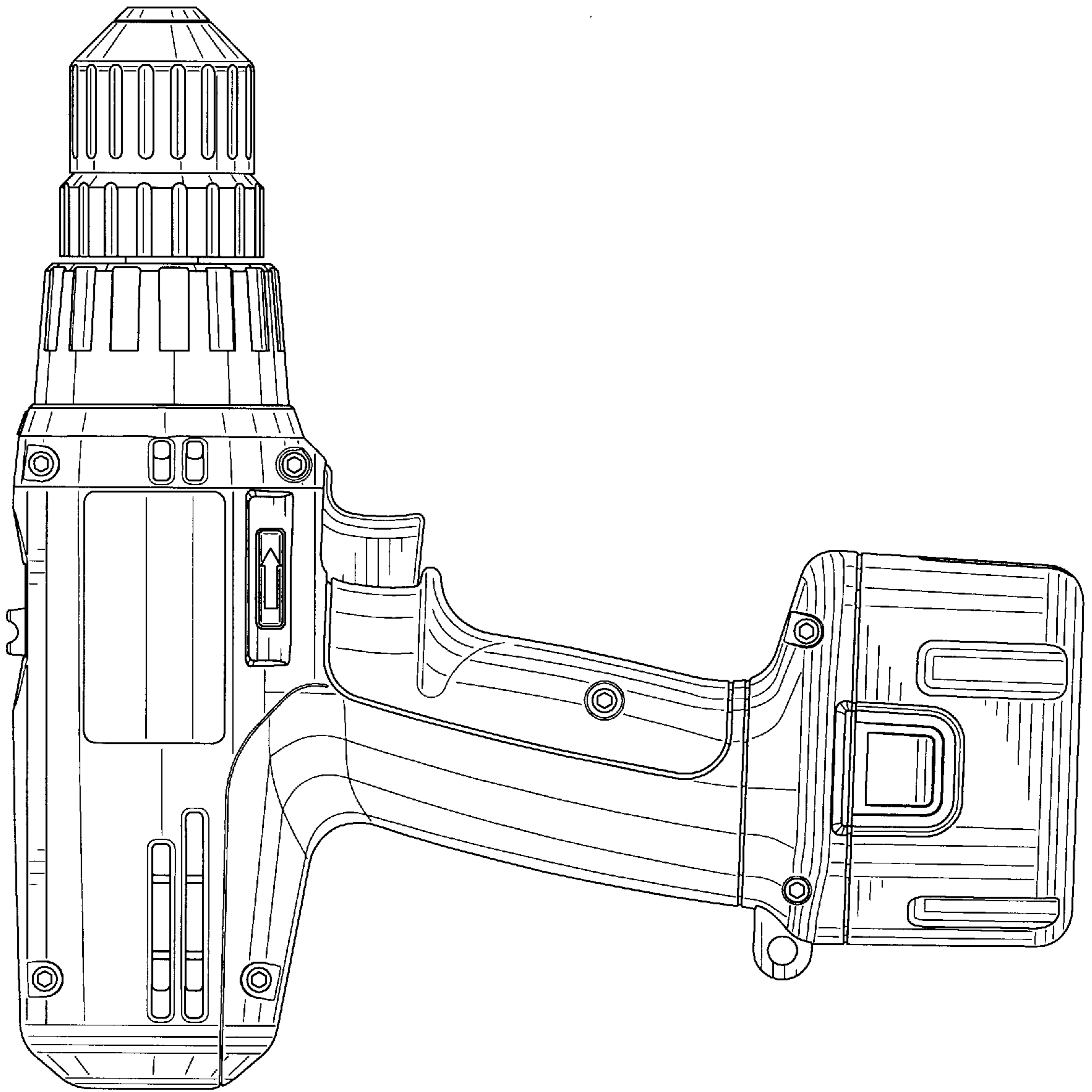


FIG. 5

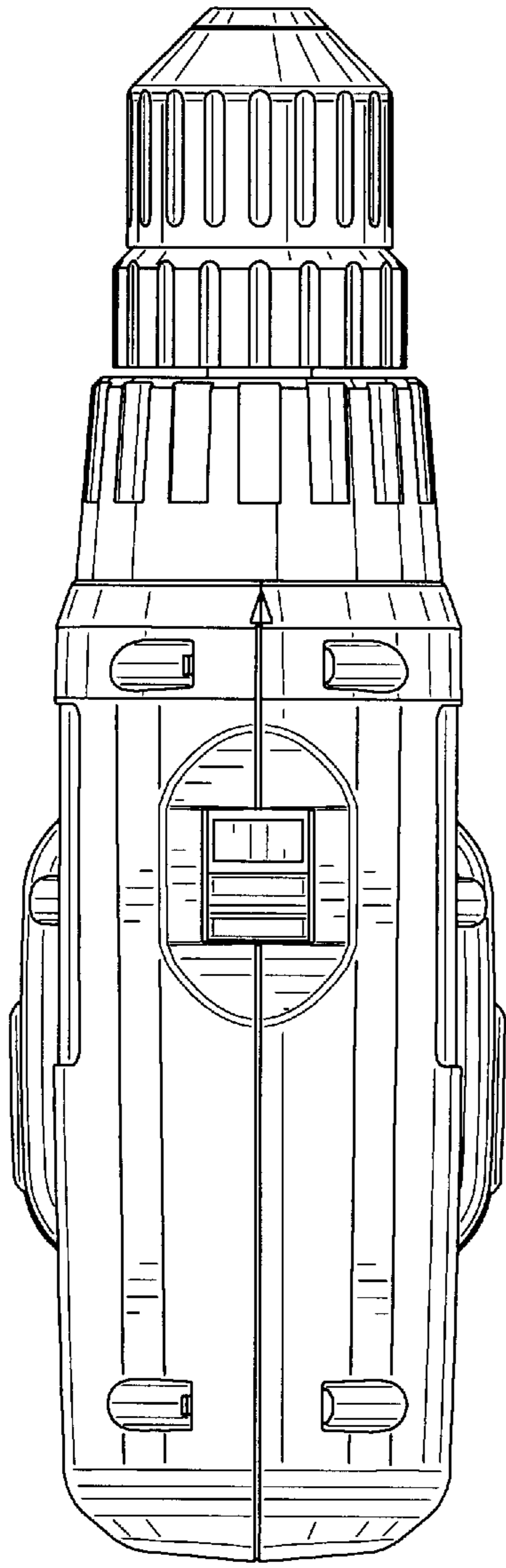


FIG. 6

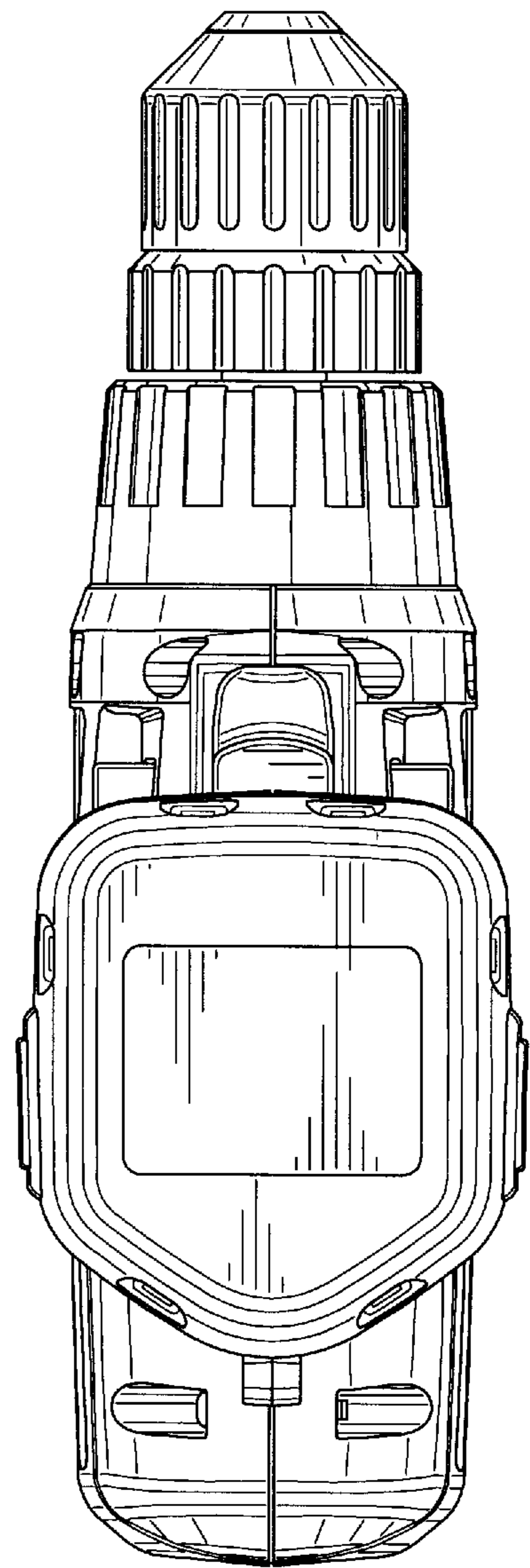


FIG. 7

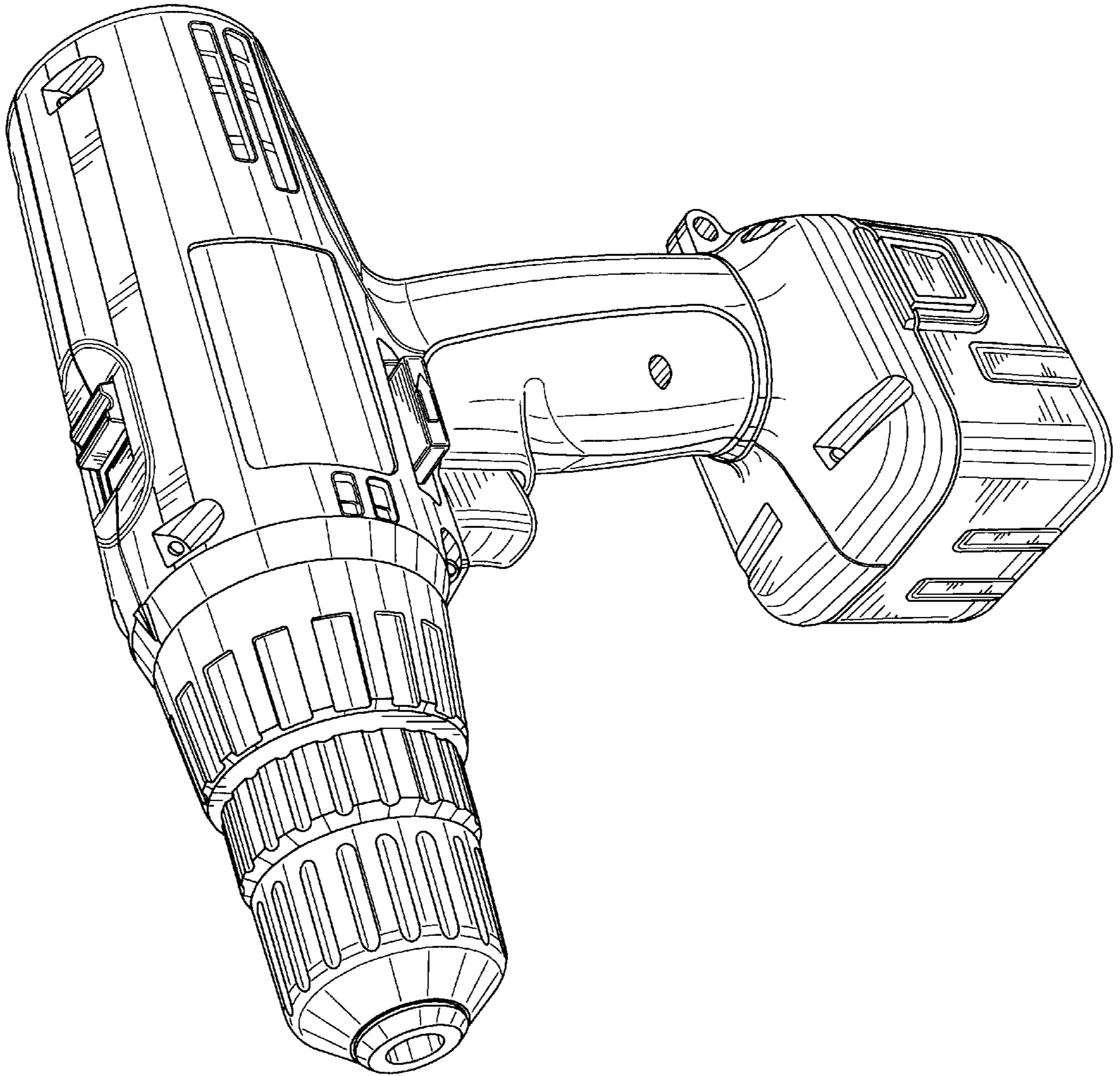


FIG. 8

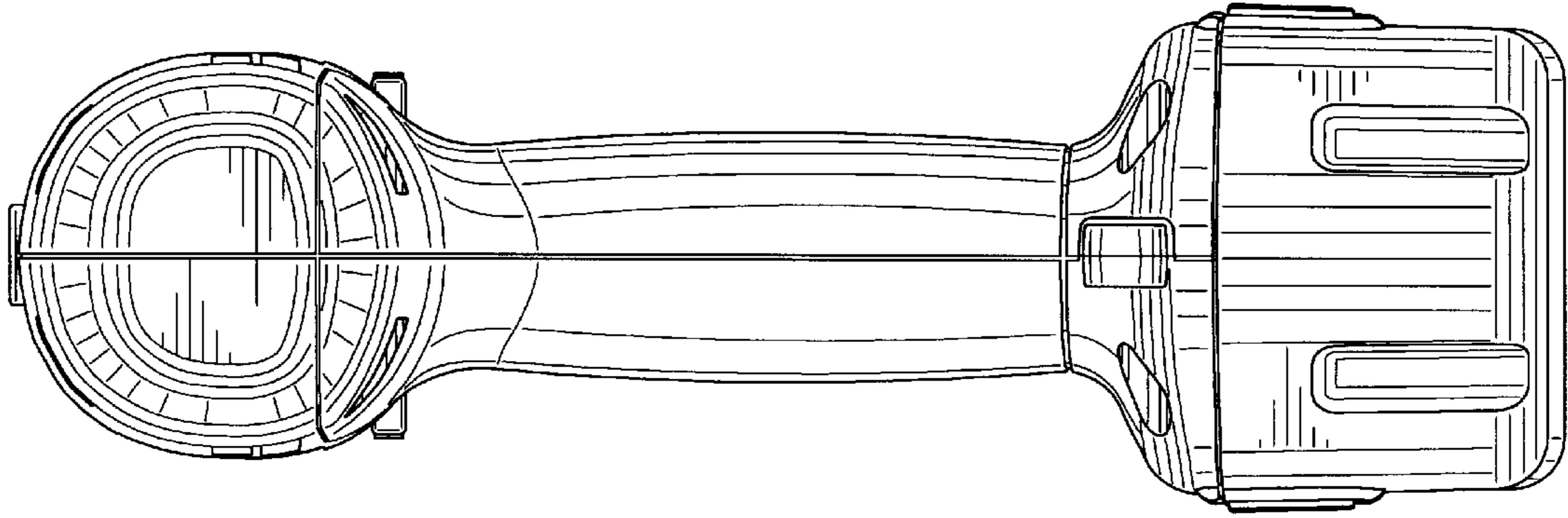


FIG. 10

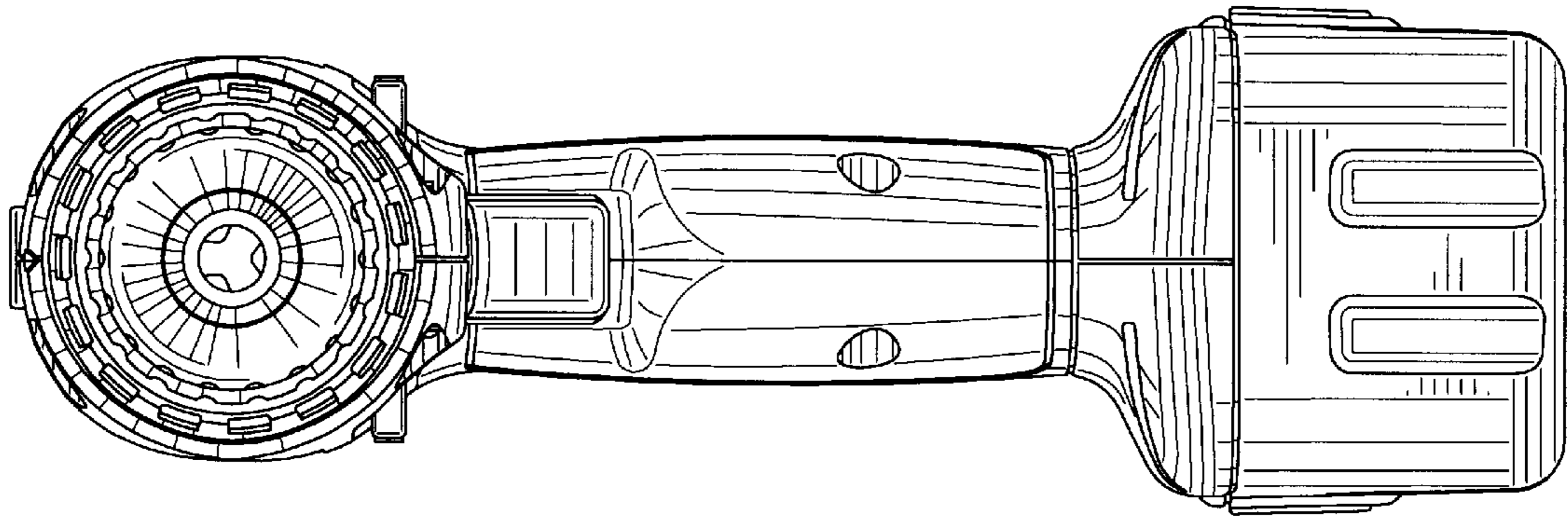


FIG. 9

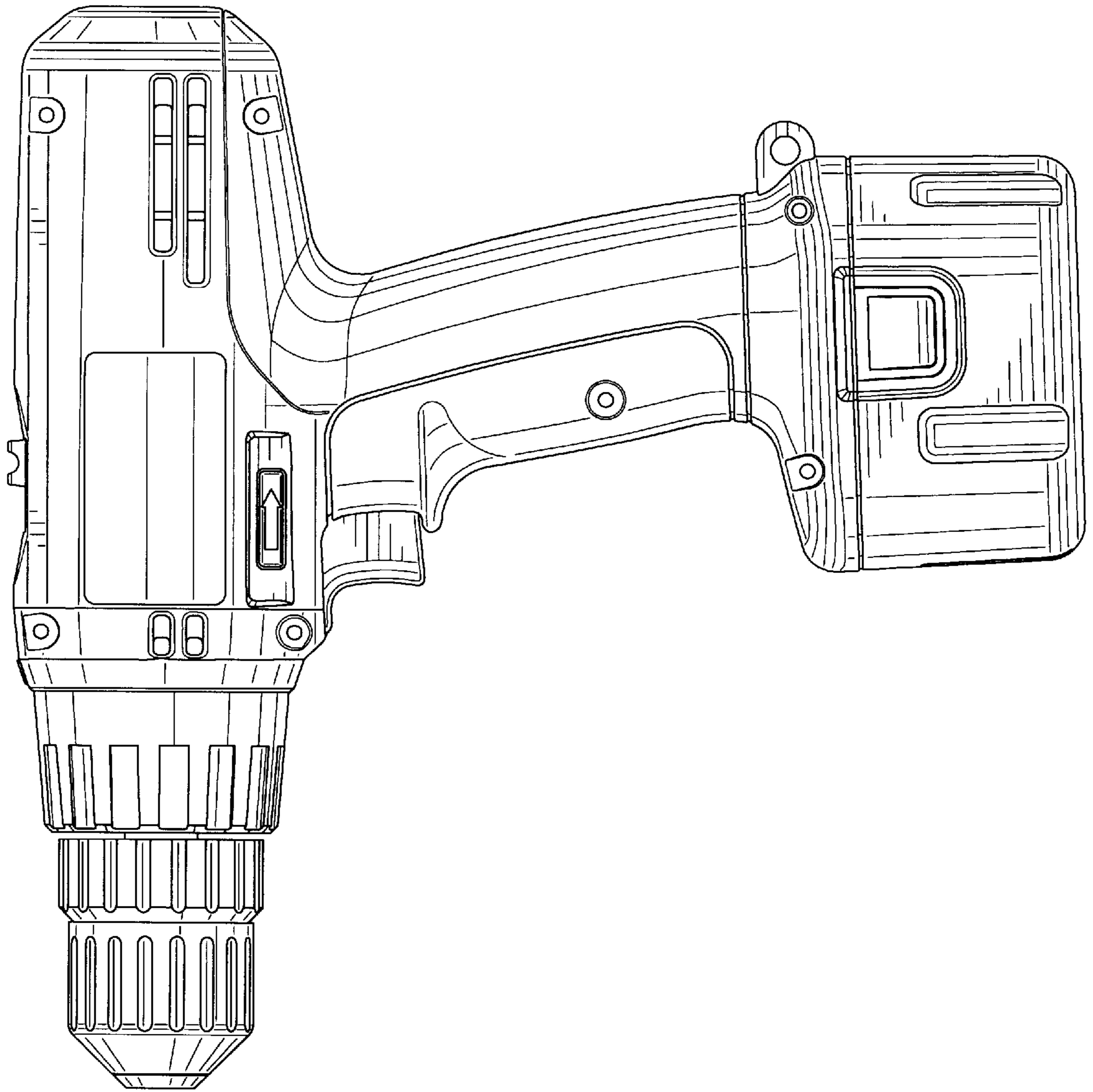


FIG. 11

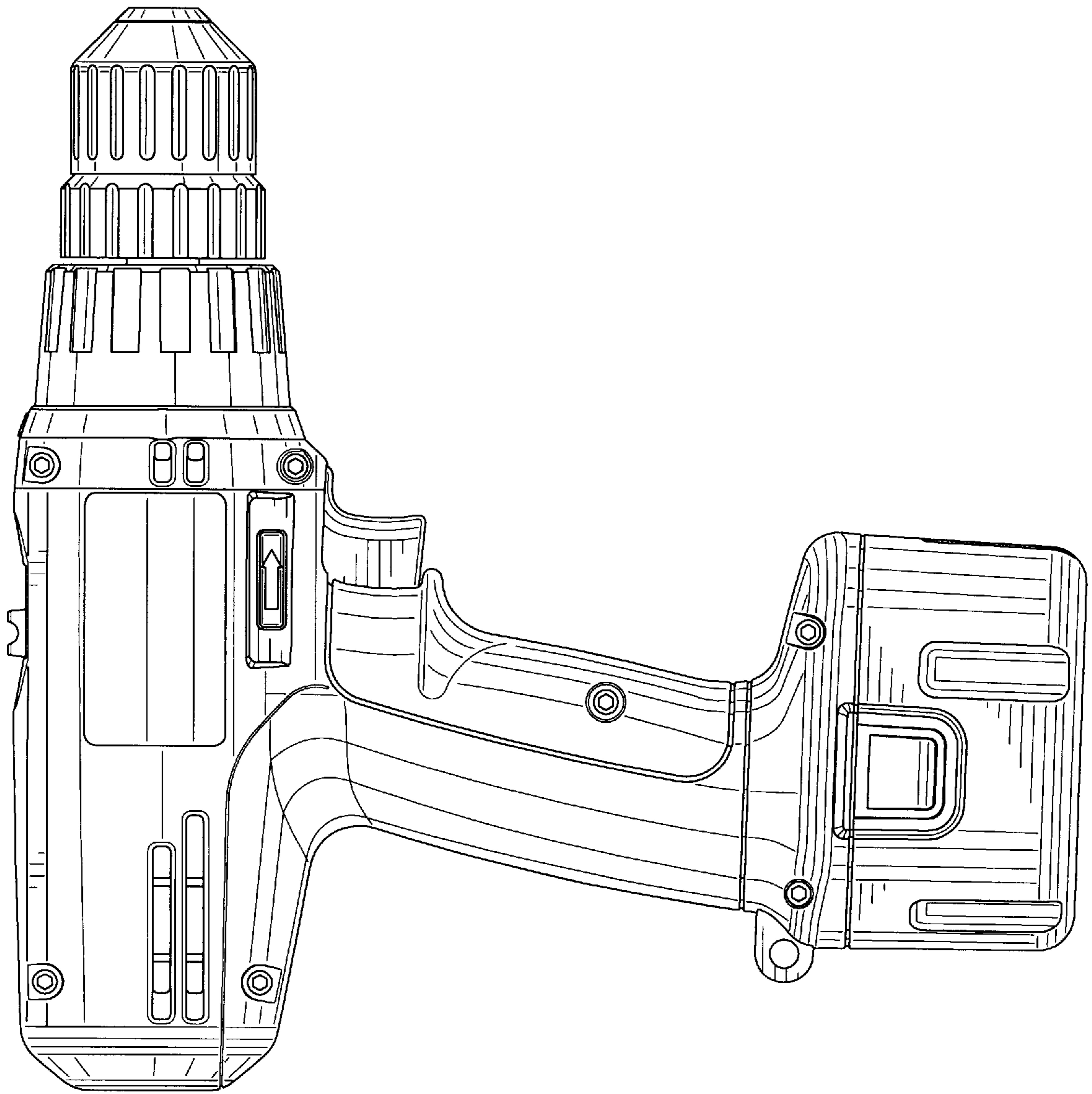


FIG. 12

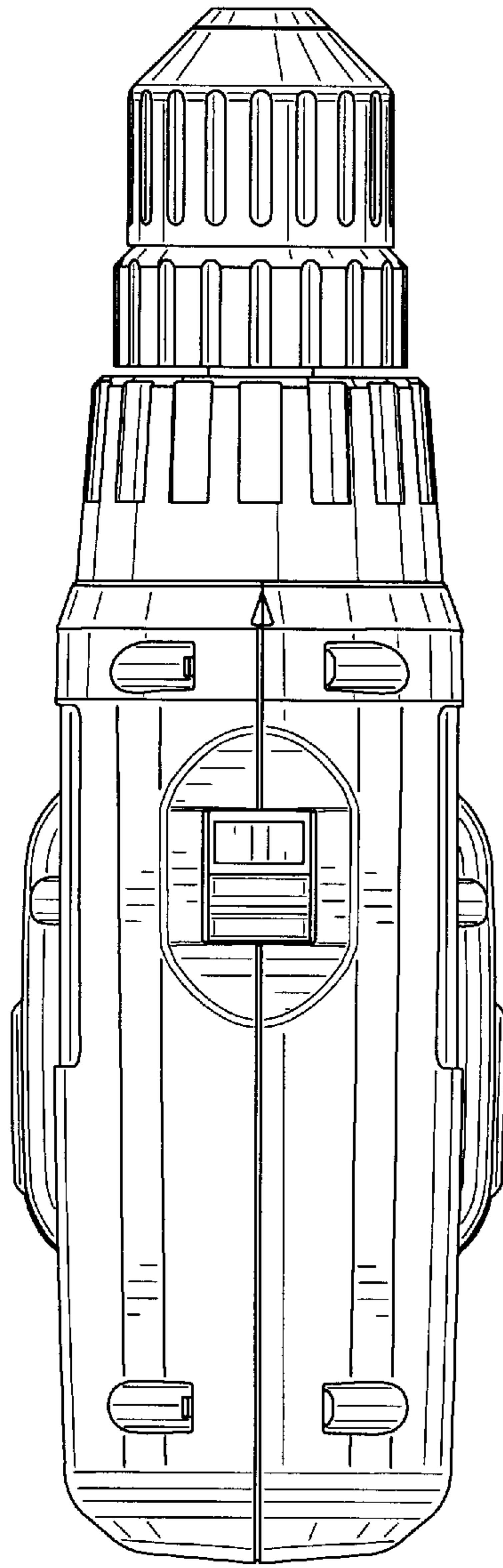


FIG. 13

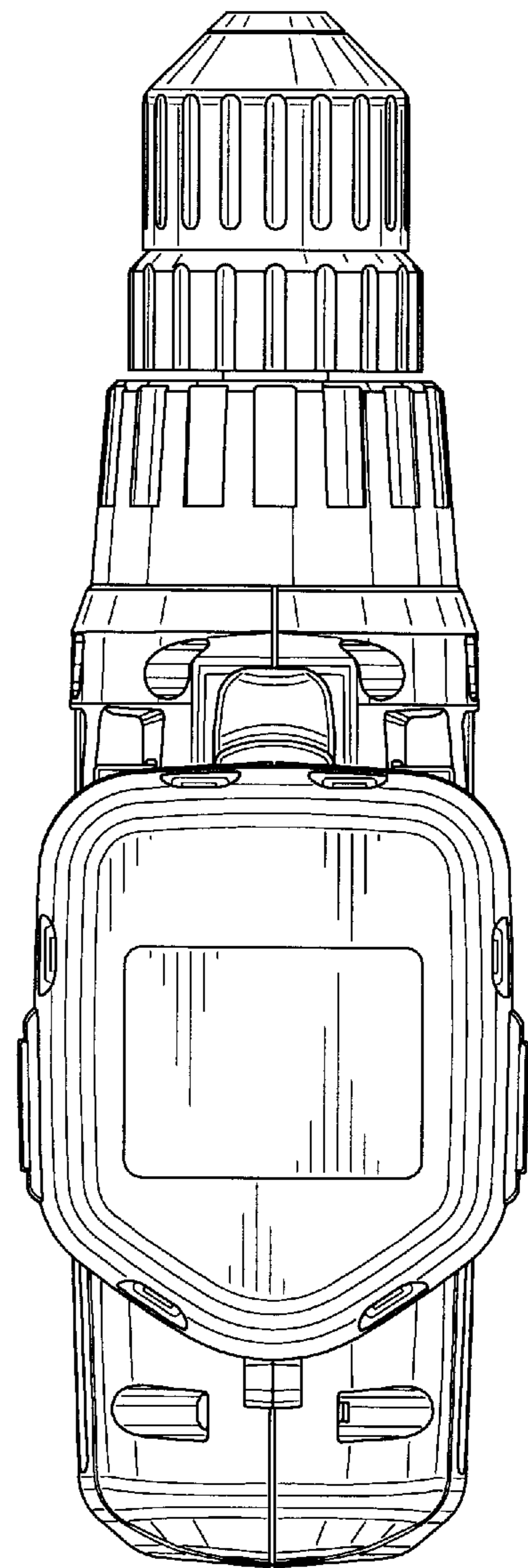


FIG. 14

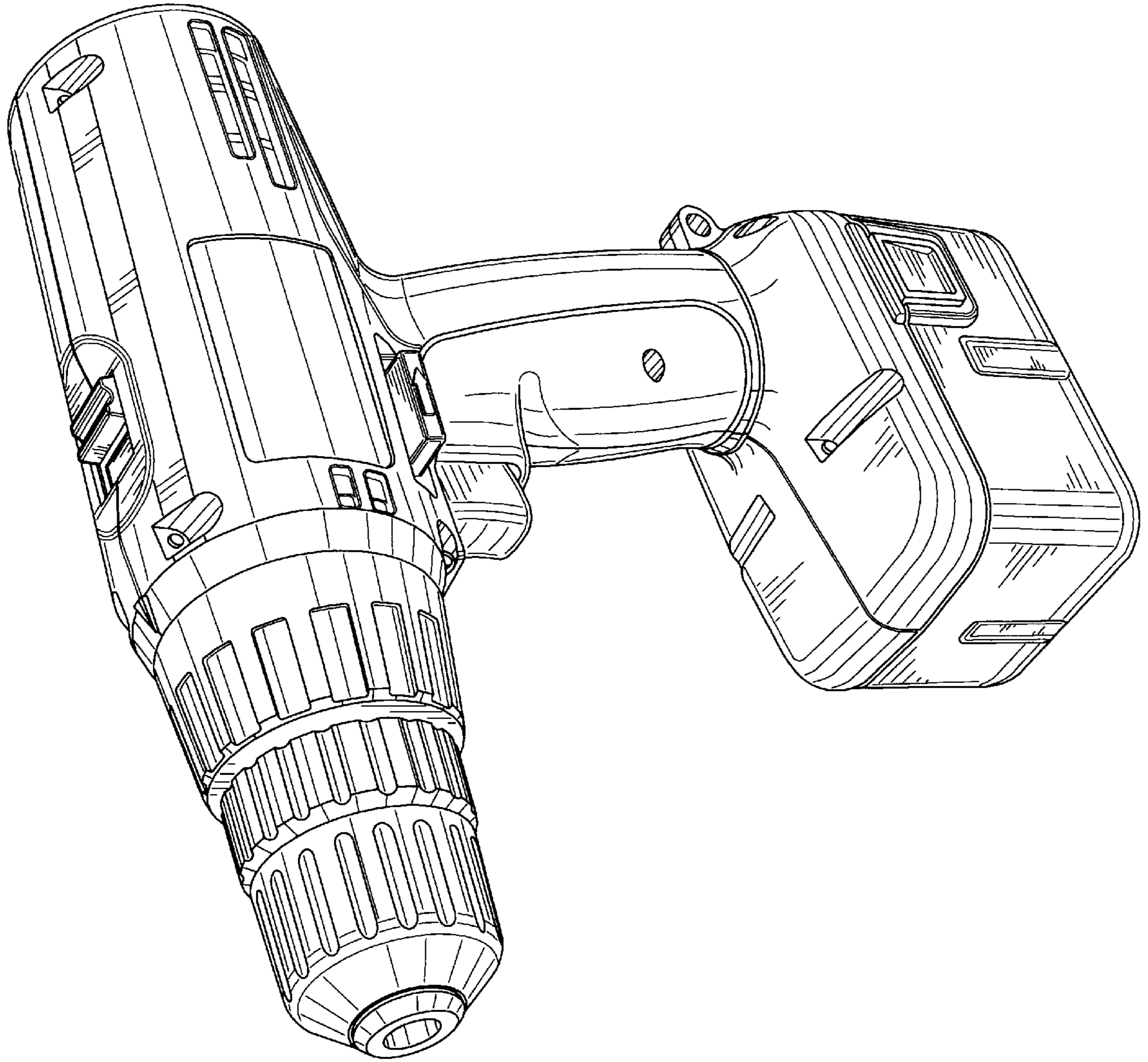


FIG. 15

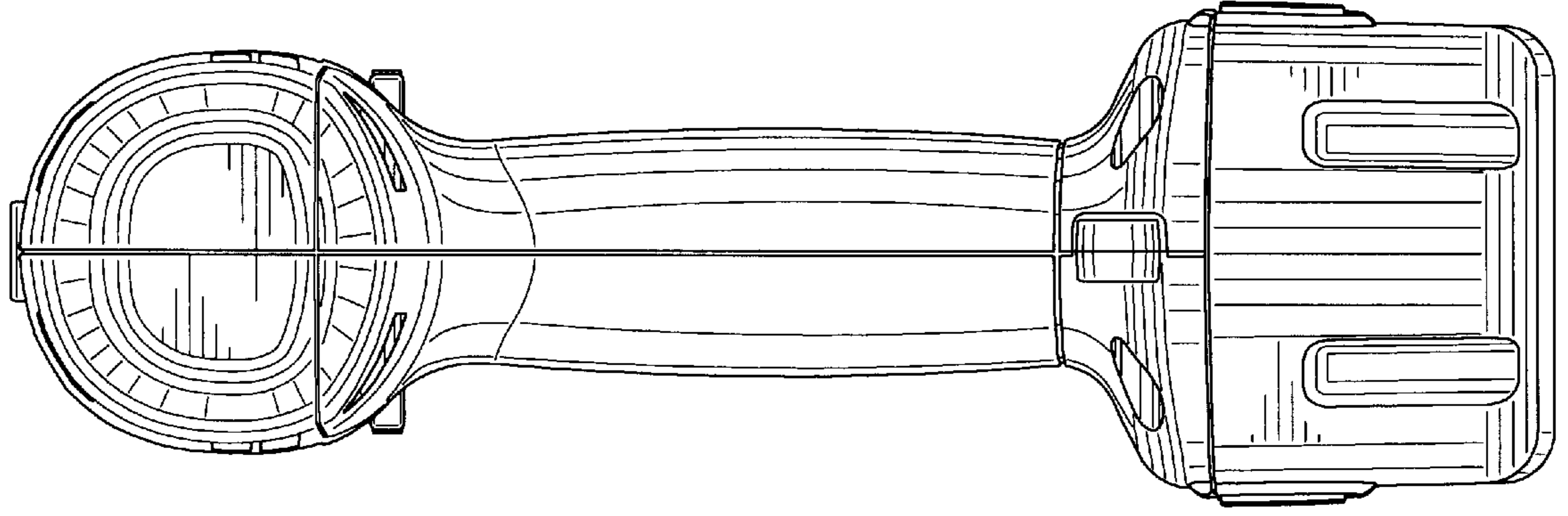


FIG. 17

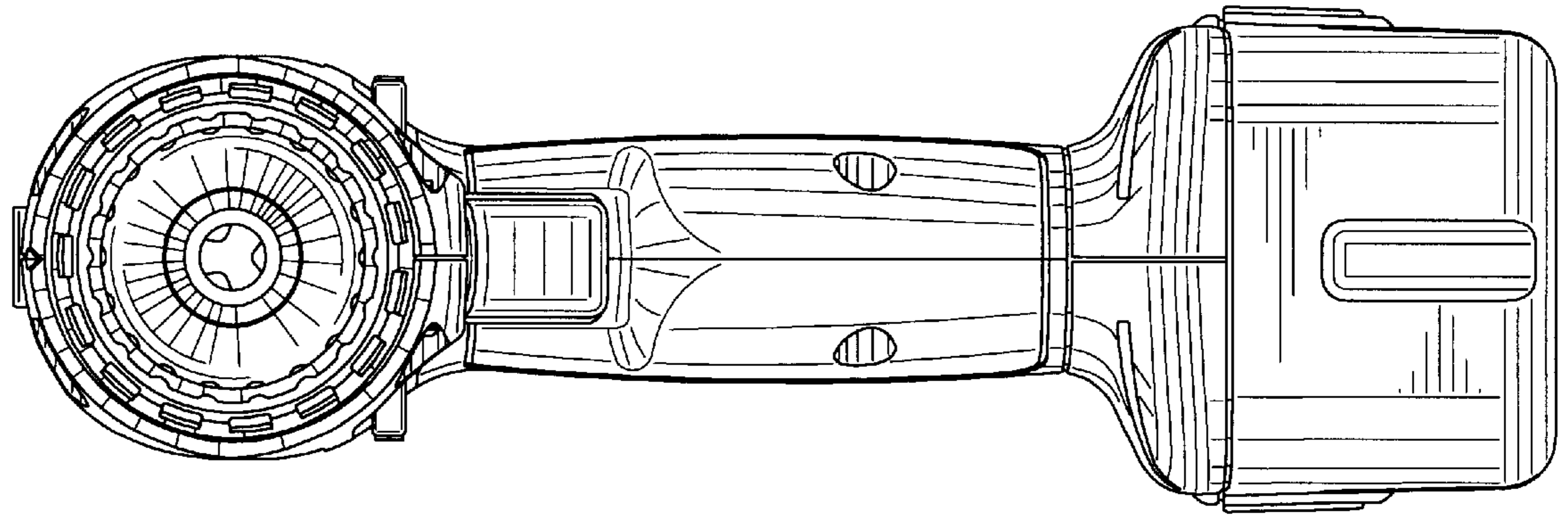


FIG. 16

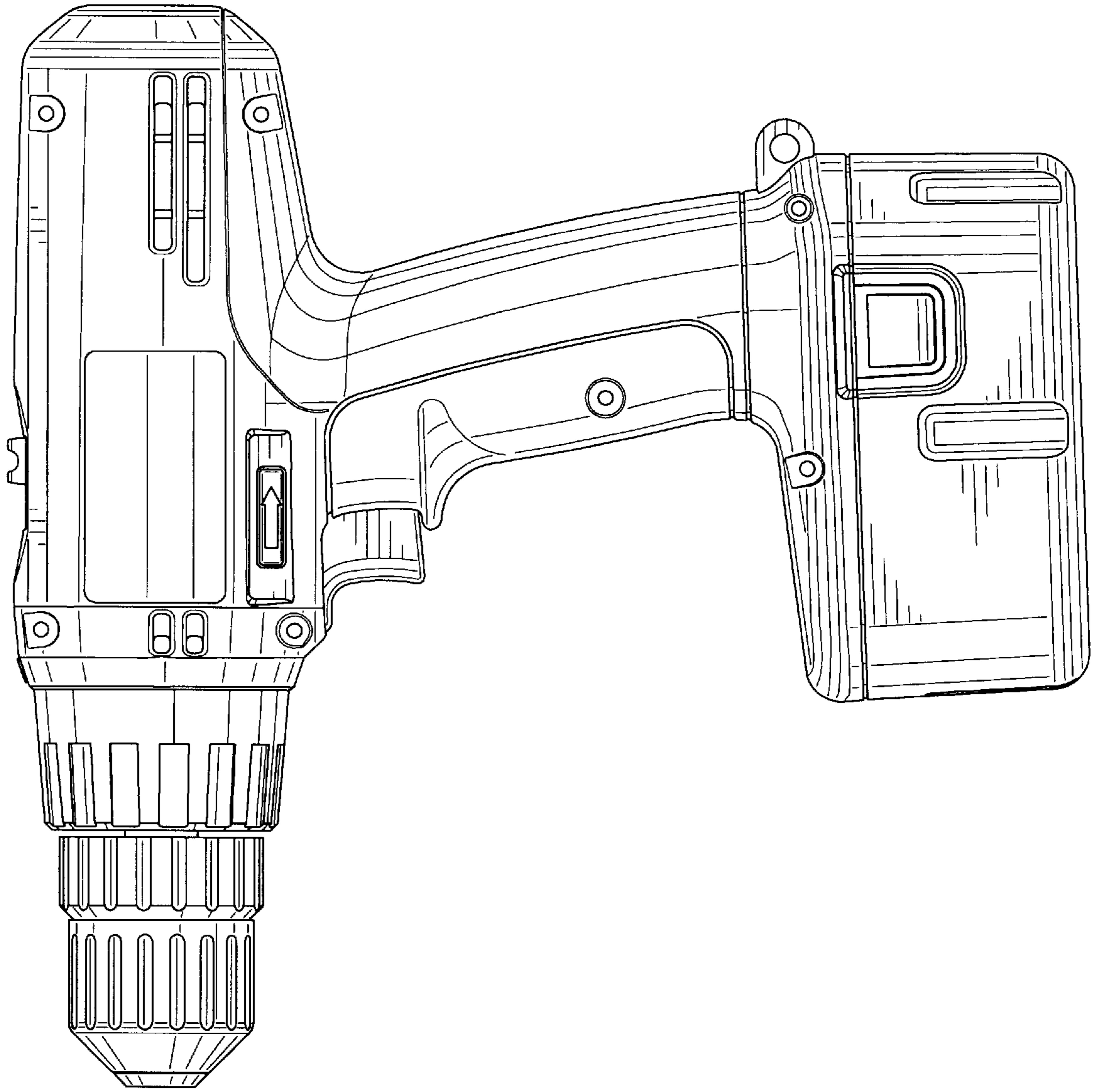


FIG. 18

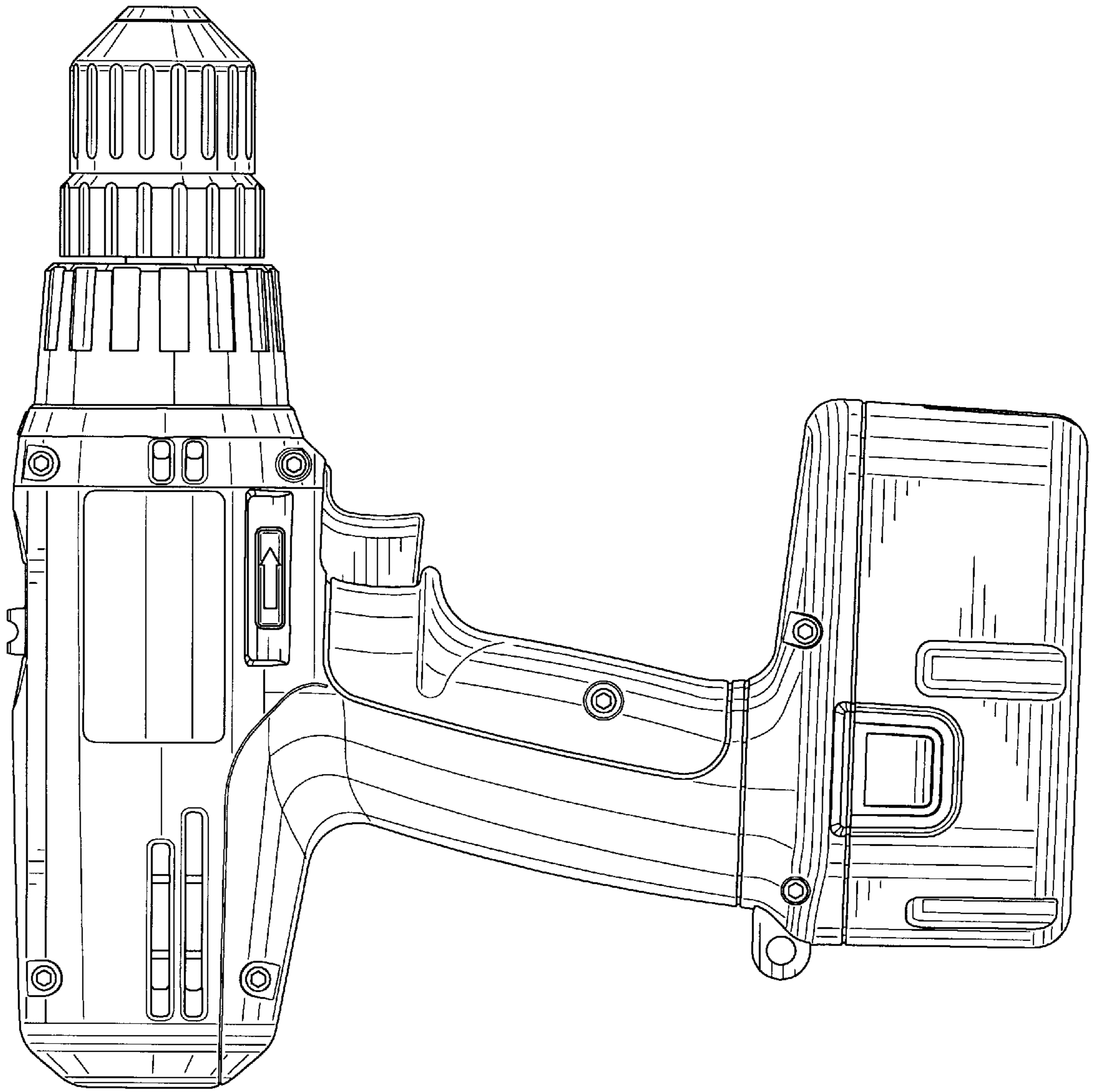


FIG. 19

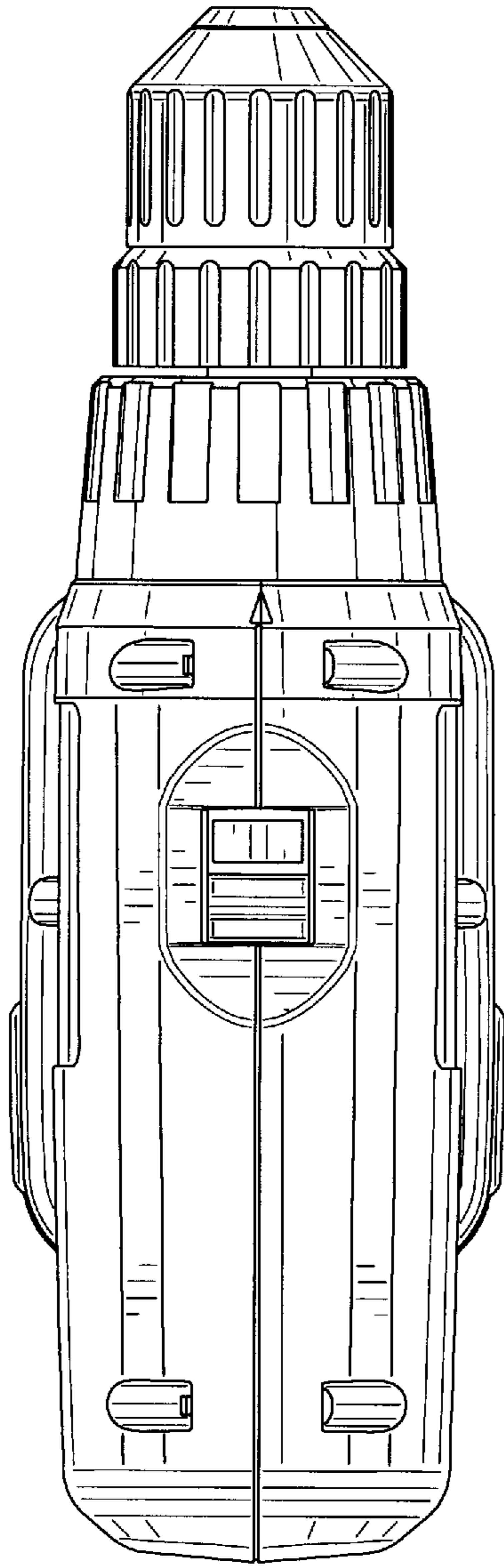


FIG. 20

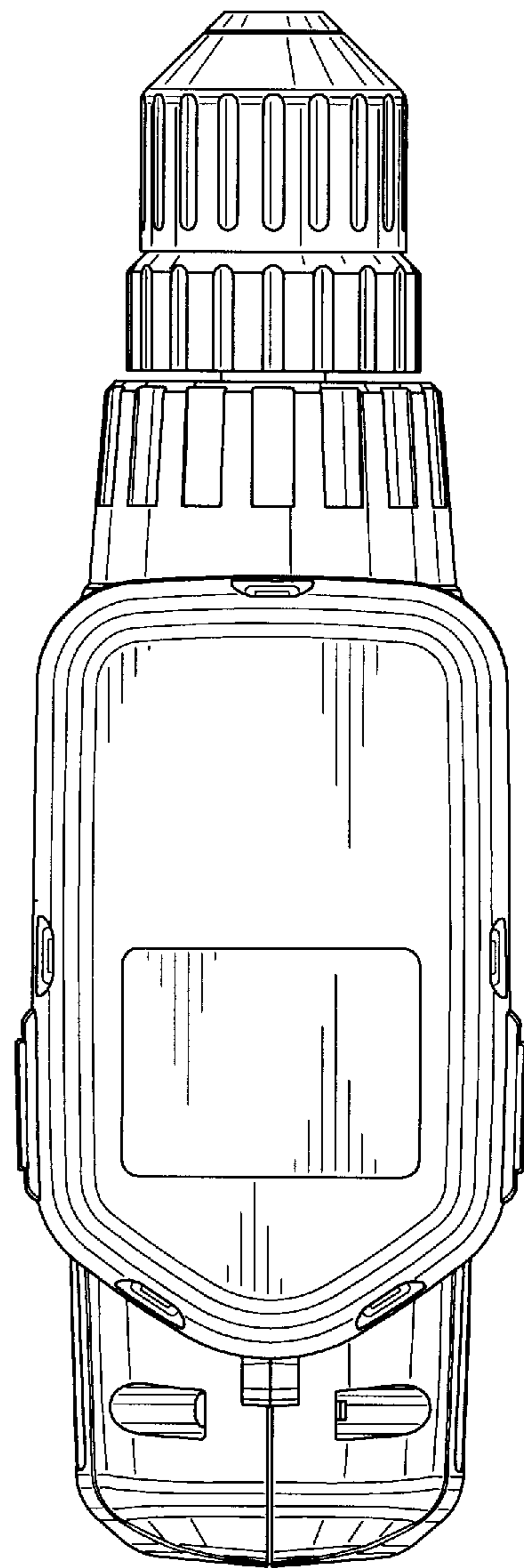


FIG. 21

UNITED STATES PATENT AND TRADEMARK OFFICE
CERTIFICATE OF CORRECTION

PATENT NO. : Des. 402,871

DATED : DECEMBER 22, 1998

INVENTOR(S) : CLOWERS ET AL.

It is certified that error appears in the above-identified patent and that said Letters Patent is hereby corrected as shown below:

Title page, Description, line 8: "batter" should read --battery--

Signed and Sealed this
Fifteenth Day of June, 1999

Attest:



Q. TODD DICKINSON

Attesting Officer

Acting Commissioner of Patents and Trademarks