



US00D402870S

United States Patent [19]

Etter et al.

[11] Patent Number: Des. 402,870

[45] Date of Patent: **Dec. 22, 1998

[54] **GRINDER**

[75] Inventors: **Mark A. Etter; John C. Smith**, both of Jackson, Tenn.

[73] Assignee: **Porter-Cable Corporation**, Jackson, Tenn.

[**] Term: **14 Years**

[21] Appl. No.: **71,943**

[22] Filed: **Jun. 9, 1997**

[51] **LOC (6) Cl.** **08-02**

[52] **U.S. Cl.** **D8/62**

[58] **Field of Search** D8/62; 451/359, 451/344, 357, 414, 456, 162, 163

[56] **References Cited**

U.S. PATENT DOCUMENTS

D. 347,153	5/1994	Uneyama	D8/62
D. 351,772	10/1994	Price	D8/62
D. 378,183	2/1997	Dognini	D8/62
D. 386,378	11/1997	Henssler et al.	D8/62
D. 394,594	5/1998	Chung	D8/62

OTHER PUBLICATIONS

DeWalt Angle Brinders Brochure (1 pg.).
Milwaukee® Operator's Manual, Catalog Nos. 6148 and 6151, Heavy-Duty Sanders/Grinders (27 pgs.).

Primary Examiner—Antoine Duval Davis
Attorney, Agent, or Firm—Merchant, Gould, Smith, Edell, Welter & Schmidt, PA.

[57] **CLAIM**

The ornamental design for a grinder, as shown and described.

DESCRIPTION

FIG. 1 is a front and top right perspective view of a grinder having a switch paddle in a lowered position;

FIG. 2 is a front elevational view of the grinder shown in FIG. 1;

FIG. 3 is a rear elevational view of the grinder shown in FIG. 1;

FIG. 4 is a right side elevational view of the grinder shown in FIG. 1;

FIG. 5 is a left side elevational view of the grinder shown in FIG. 1;

FIG. 6 is a top plan view of the grinder shown in FIG. 1;

FIG. 7 is a bottom plan view of the grinder shown in FIG. 1;

FIG. 8 is a front and top right perspective view of a grinder having a switch paddle in a raised position;

FIG. 9 is a front elevational view of the grinder shown in FIG. 8;

FIG. 10 is a rear elevational view of the grinder shown in FIG. 8;

FIG. 11 is a right side elevational view of the grinder shown in FIG. 8;

FIG. 12 is a left side elevational view of the grinder shown in FIG. 8;

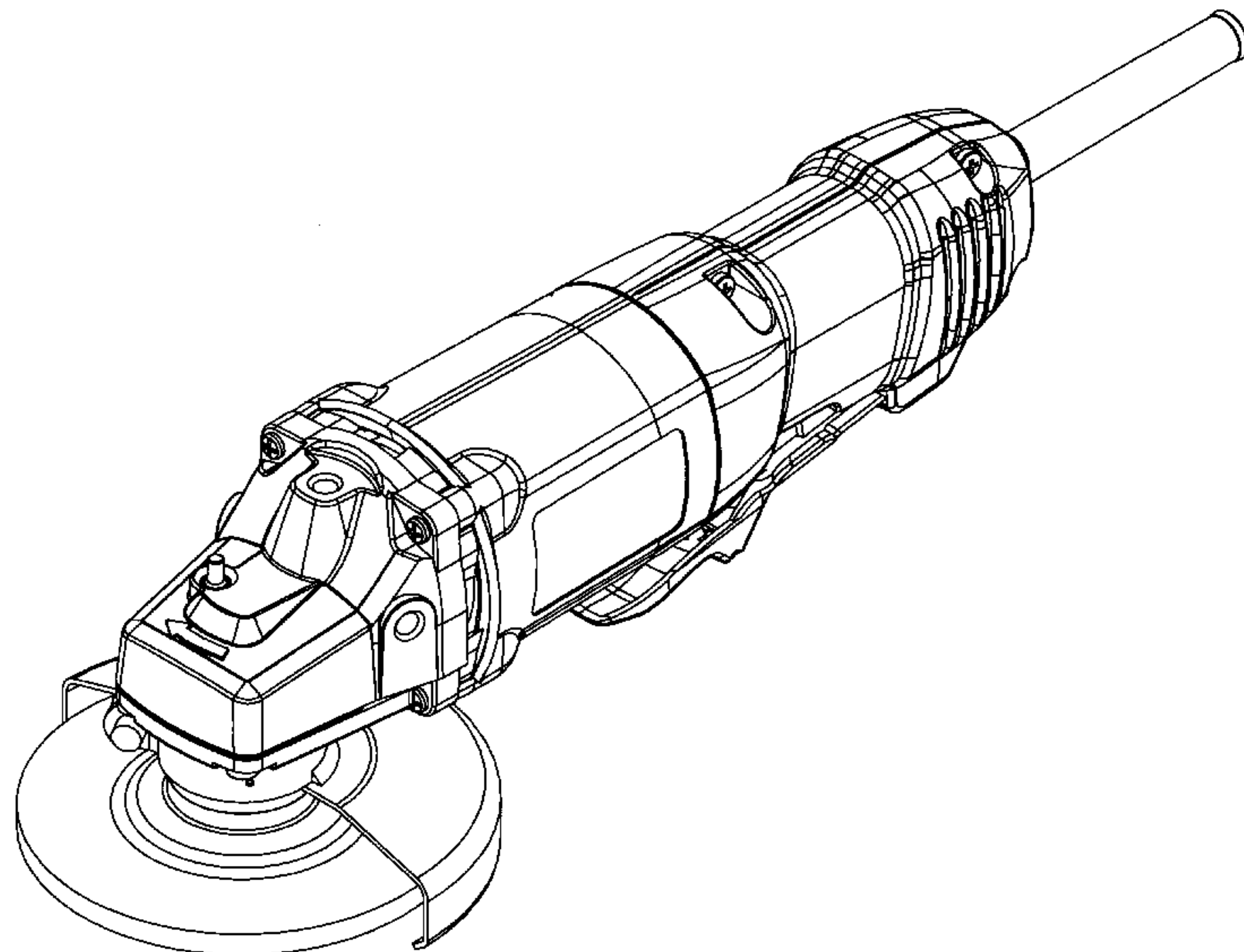
FIG. 13 is a top plan view of the grinder shown in FIG. 8;

FIG. 14 is a bottom plan view of the grinder shown in FIG. 8;

FIG. 15 is a front and top right perspective view of a grinder having a switch paddle in a lowered position and also including an optional side handle; and,

FIG. 16 is a front and top right perspective view of a grinder having a switch paddle in a raised position and also showing an optional side handle.

1 Claim, 14 Drawing Sheets



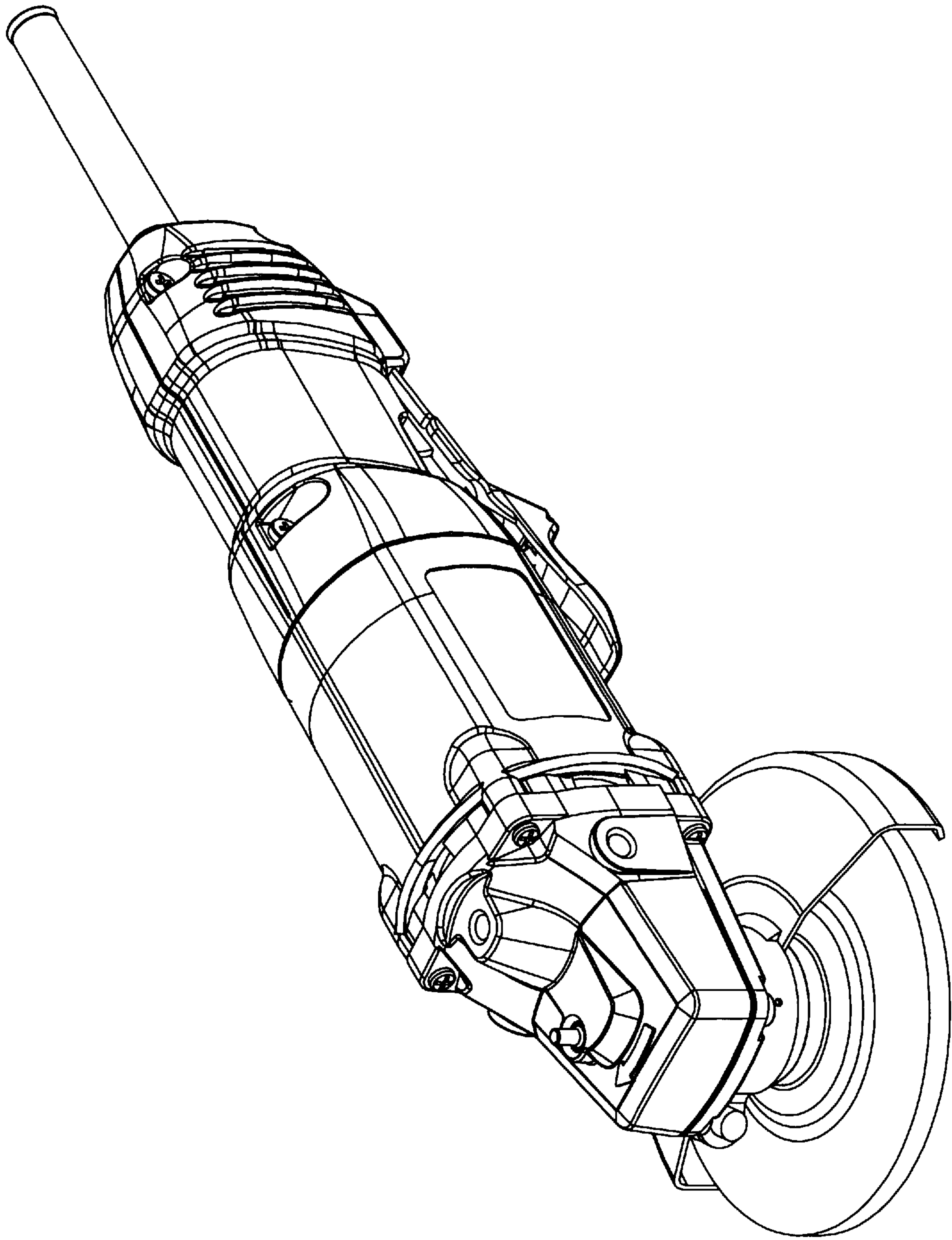


FIG. 1

FIG. 3

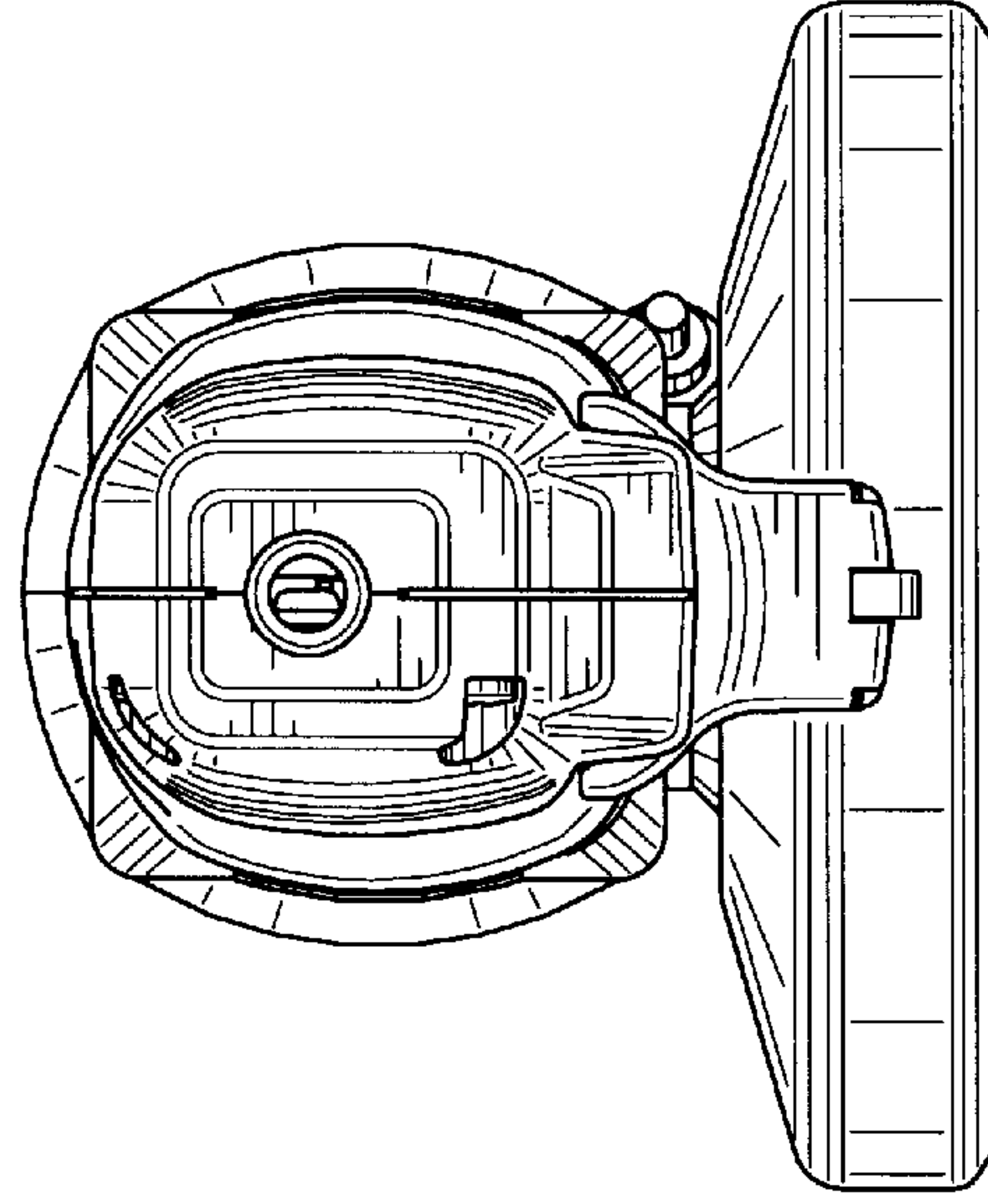
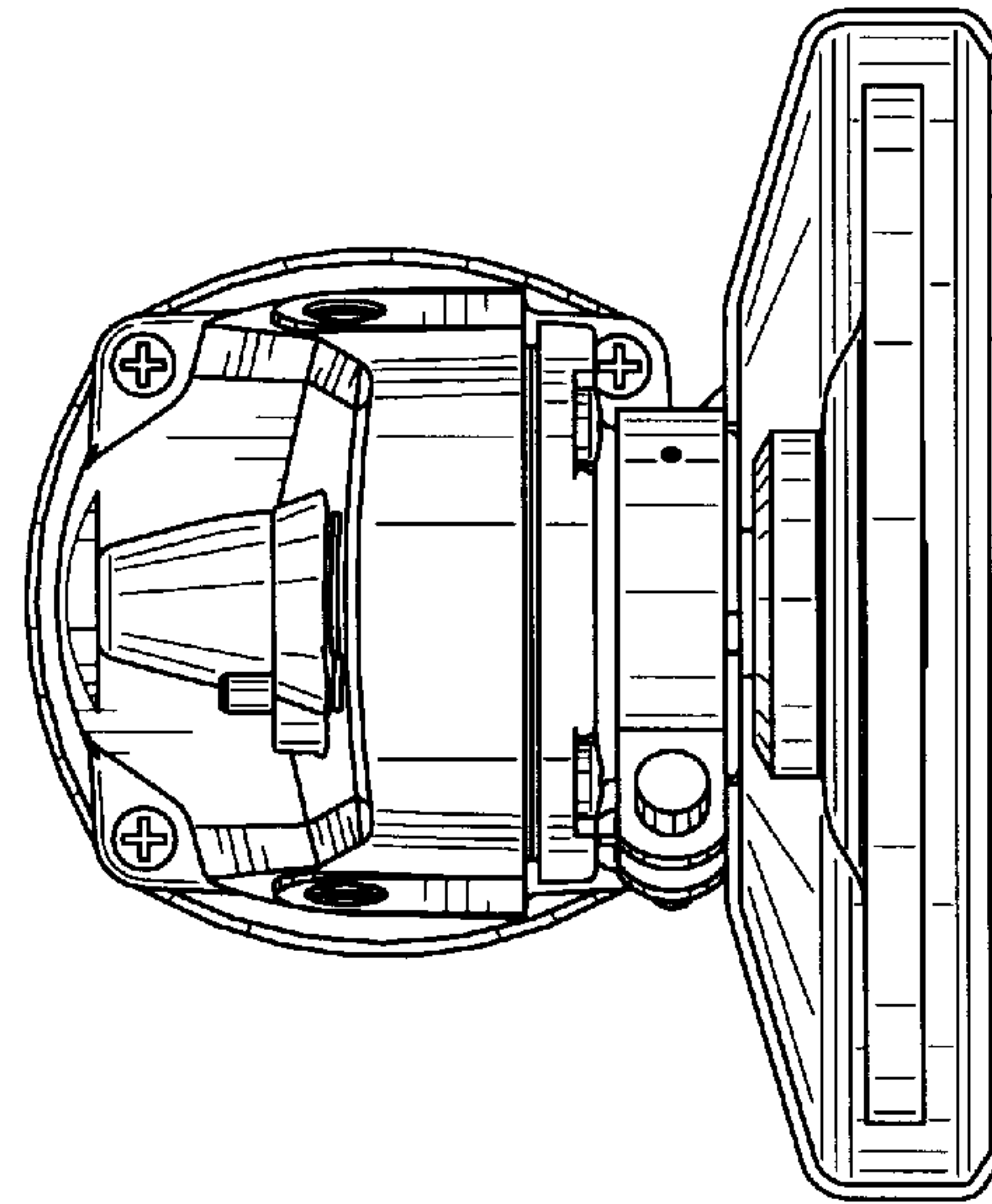


FIG. 2



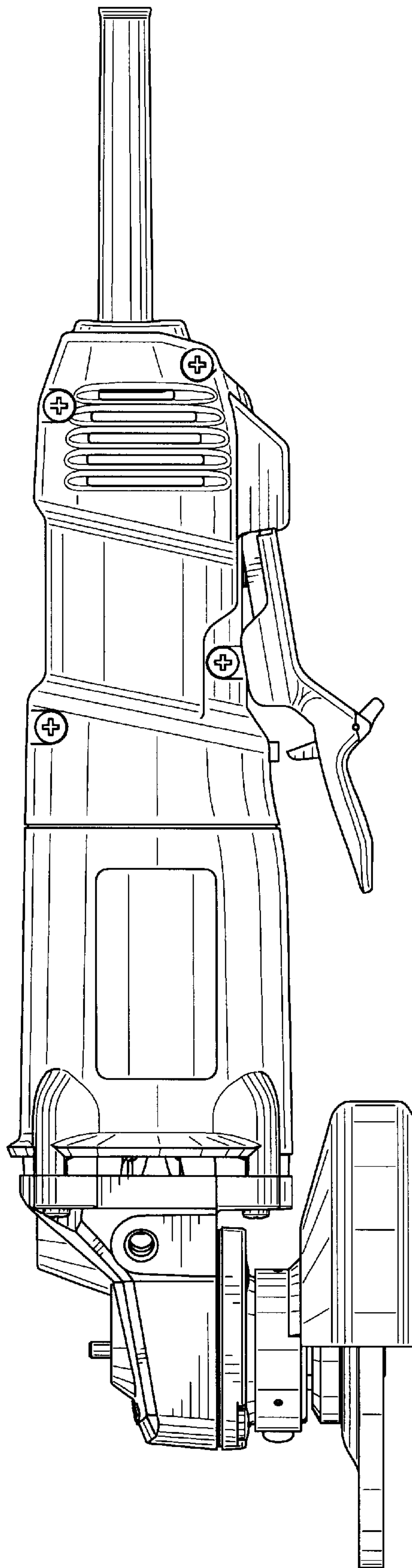


FIG. 4

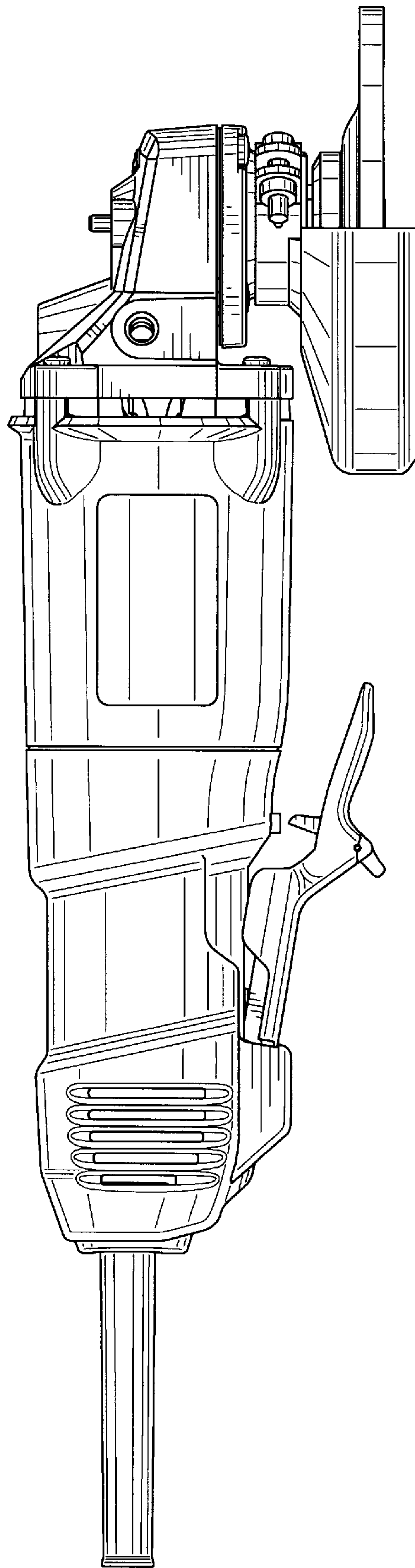


FIG. 5

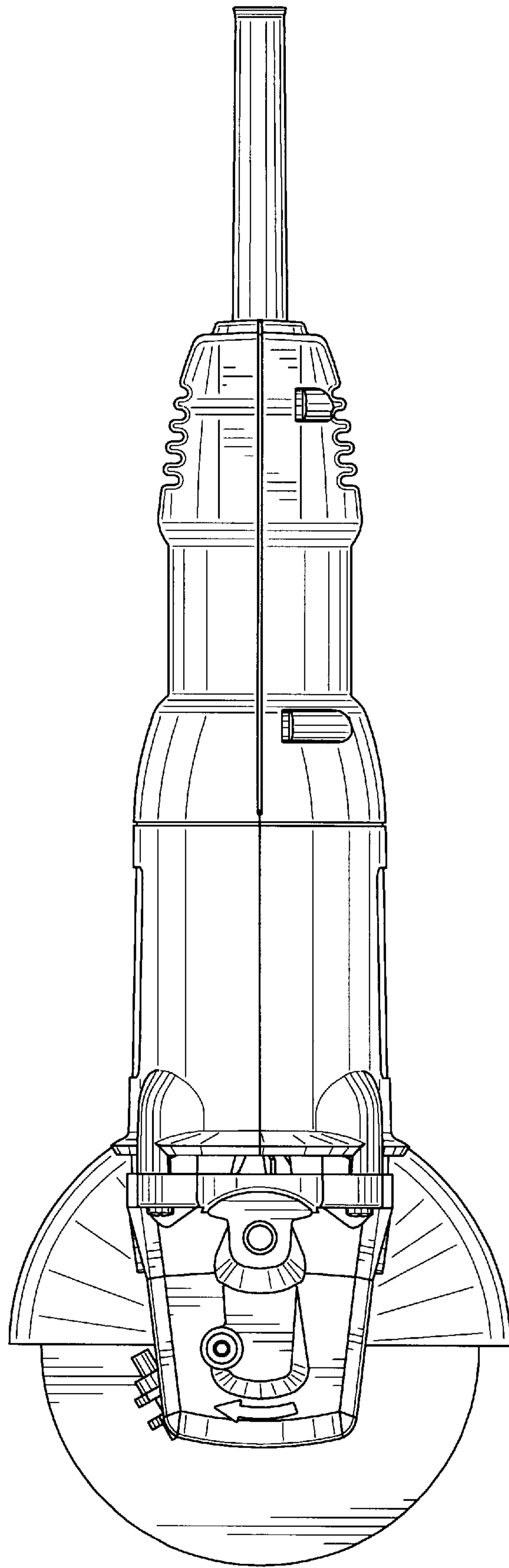


FIG. 6

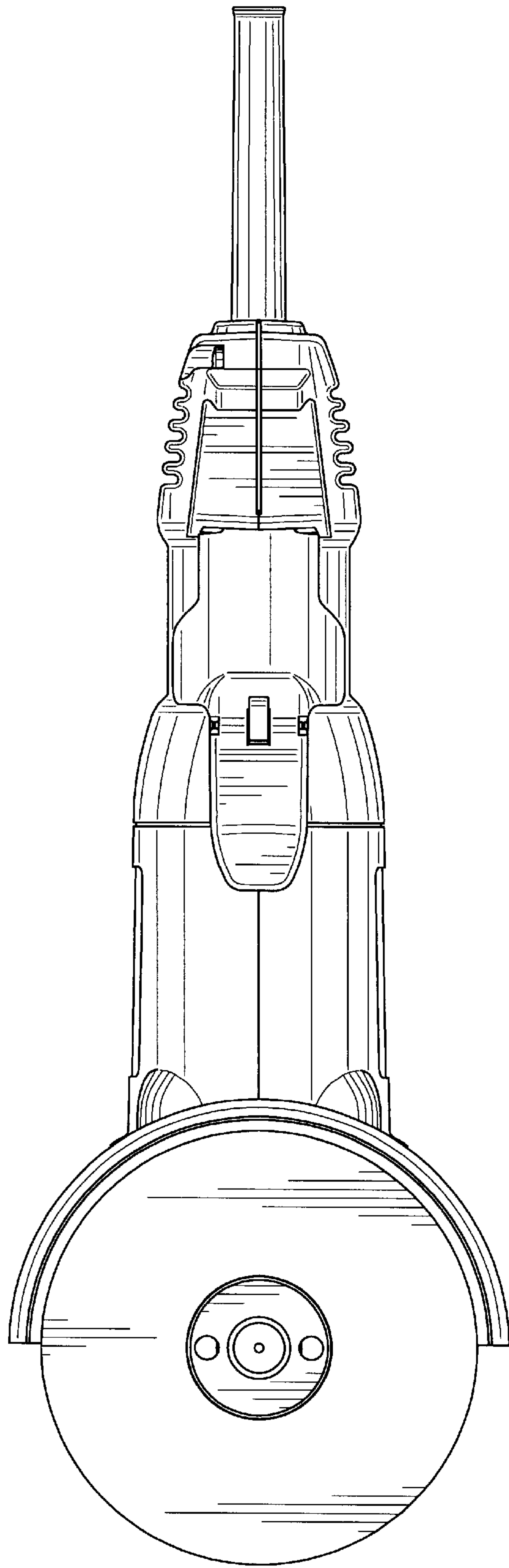


FIG. 7

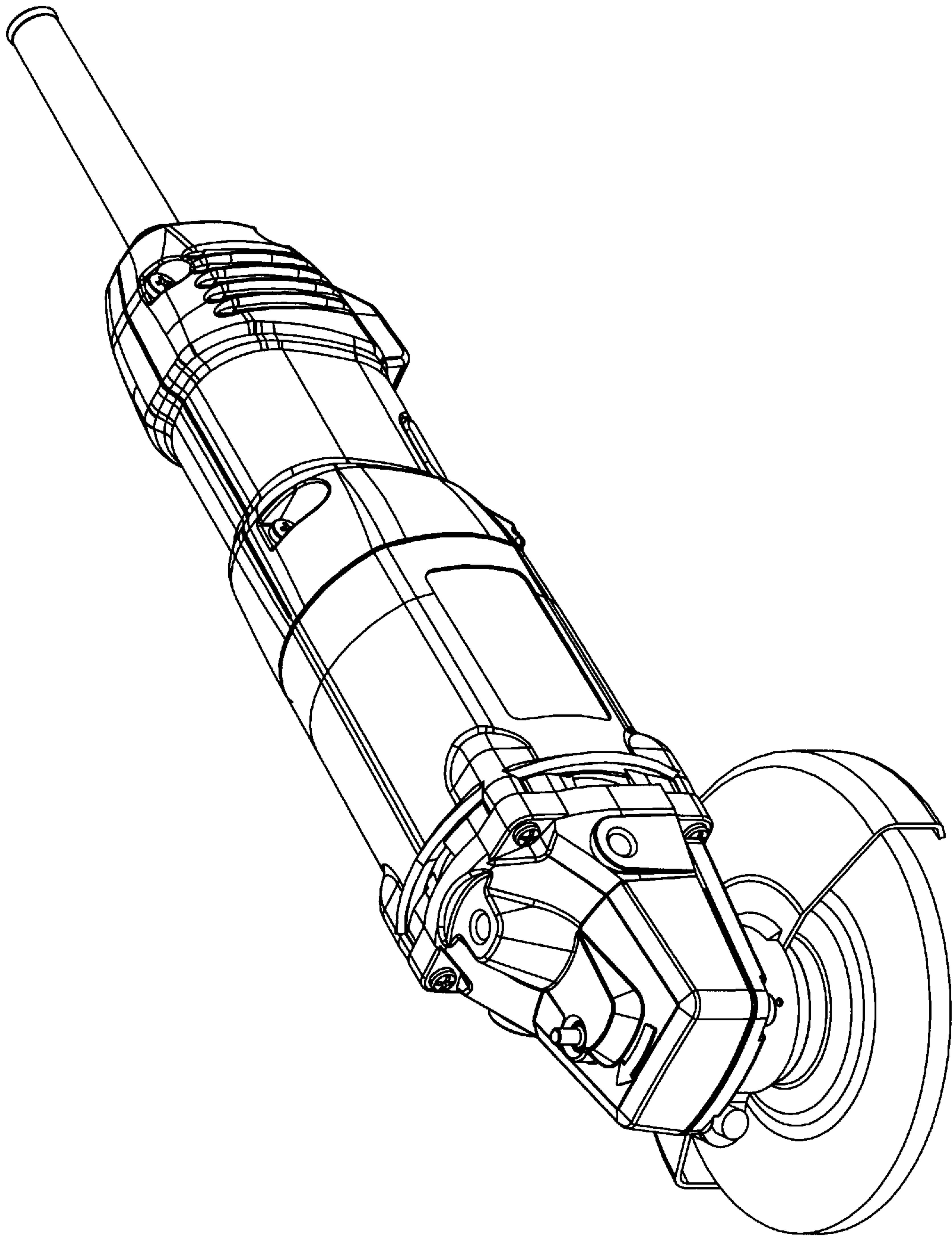


FIG. 8

FIG. 10

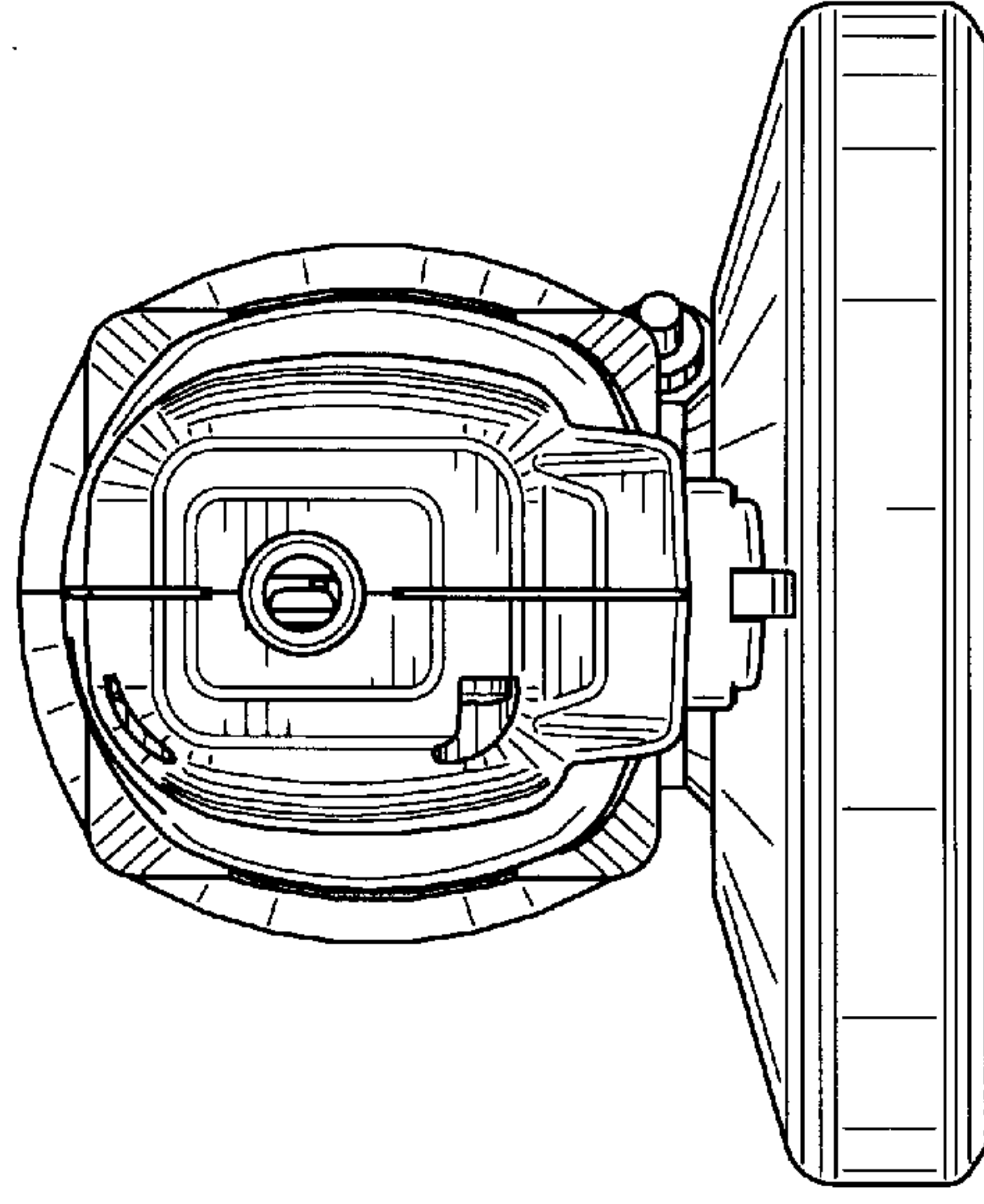
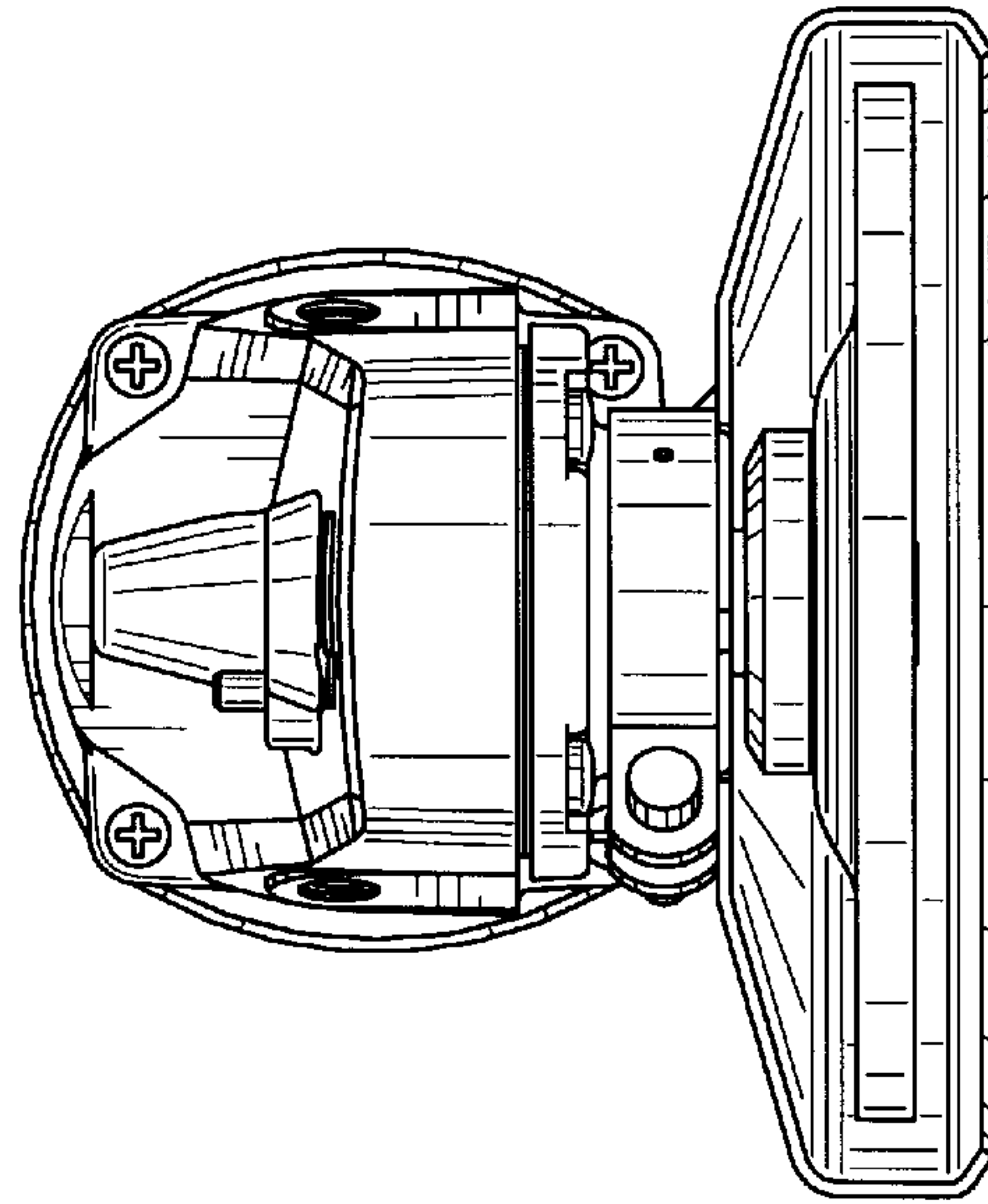


FIG. 9



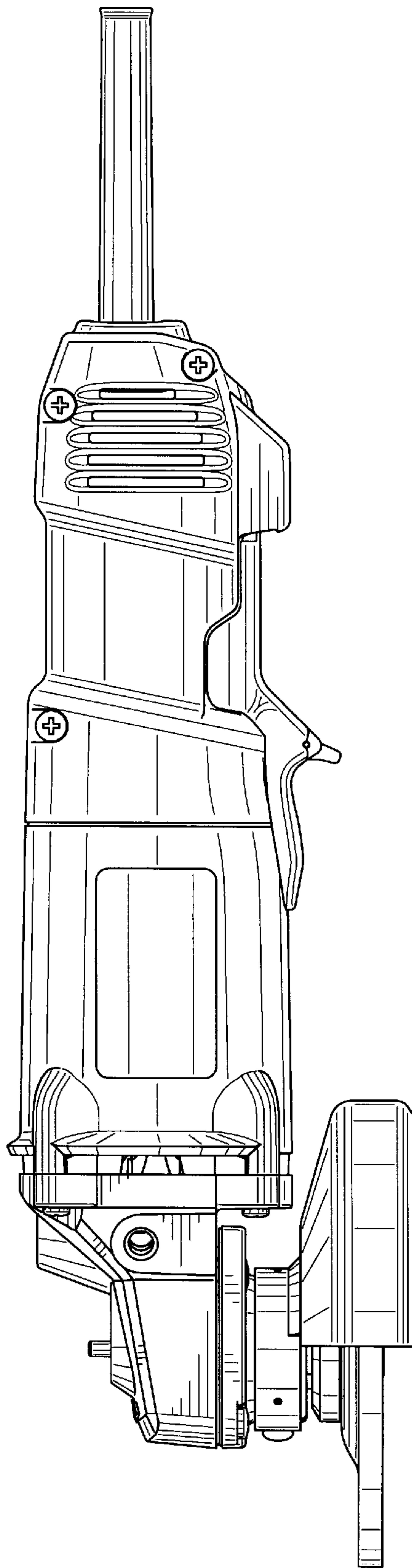


FIG. 11

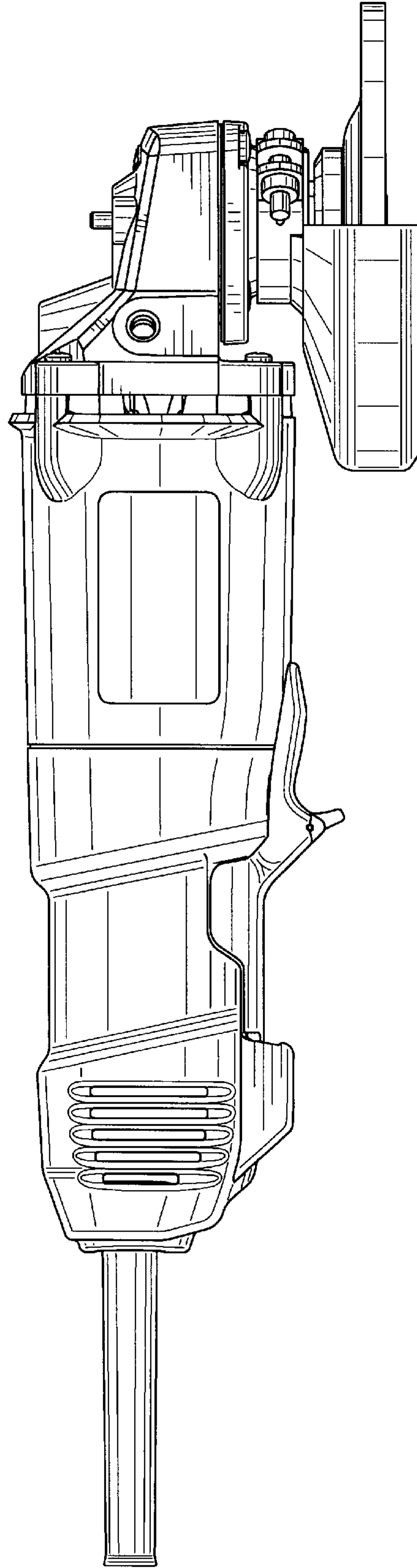


FIG. 12

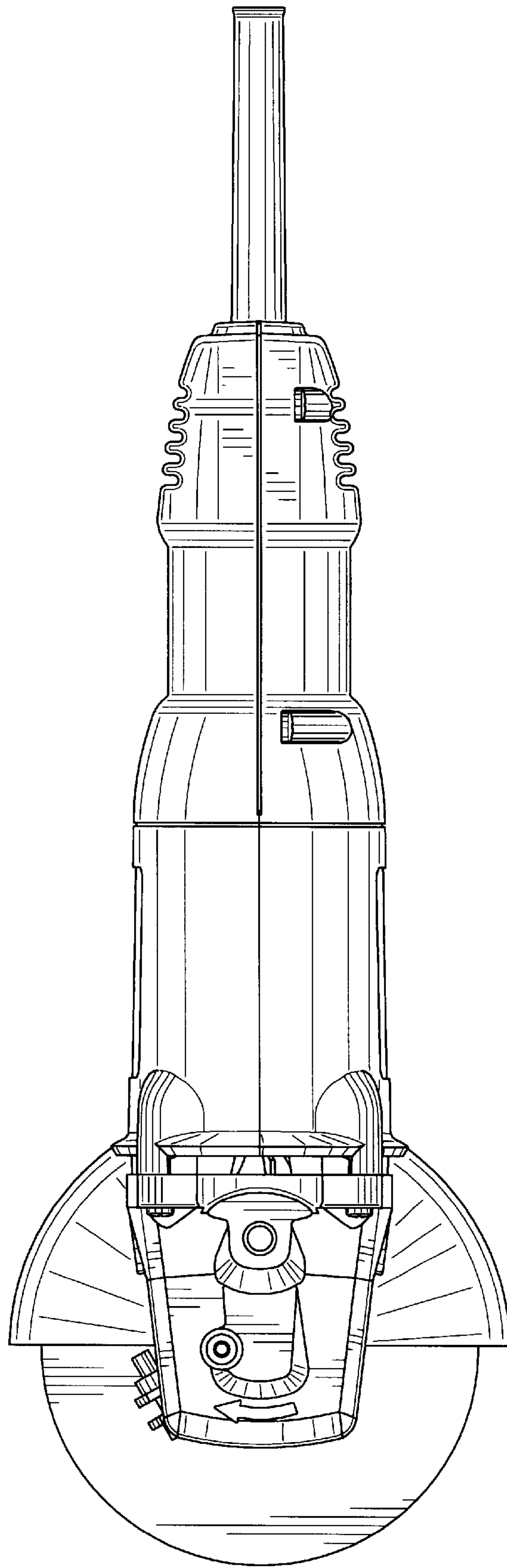


FIG. 13

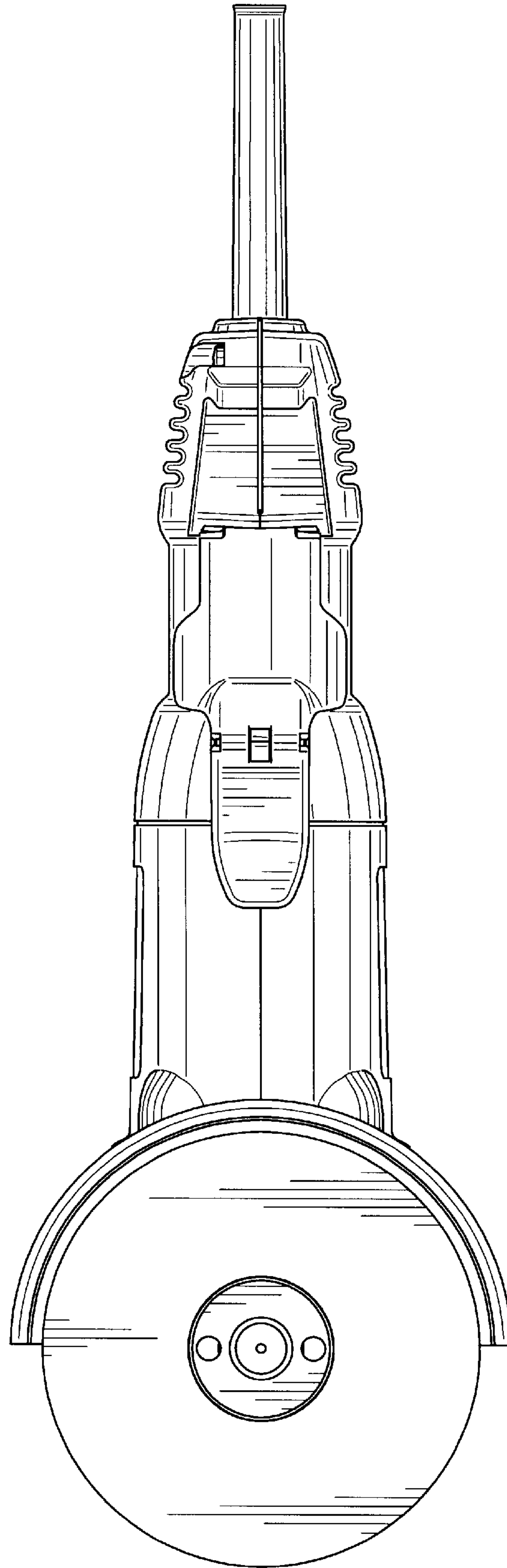


FIG. 14

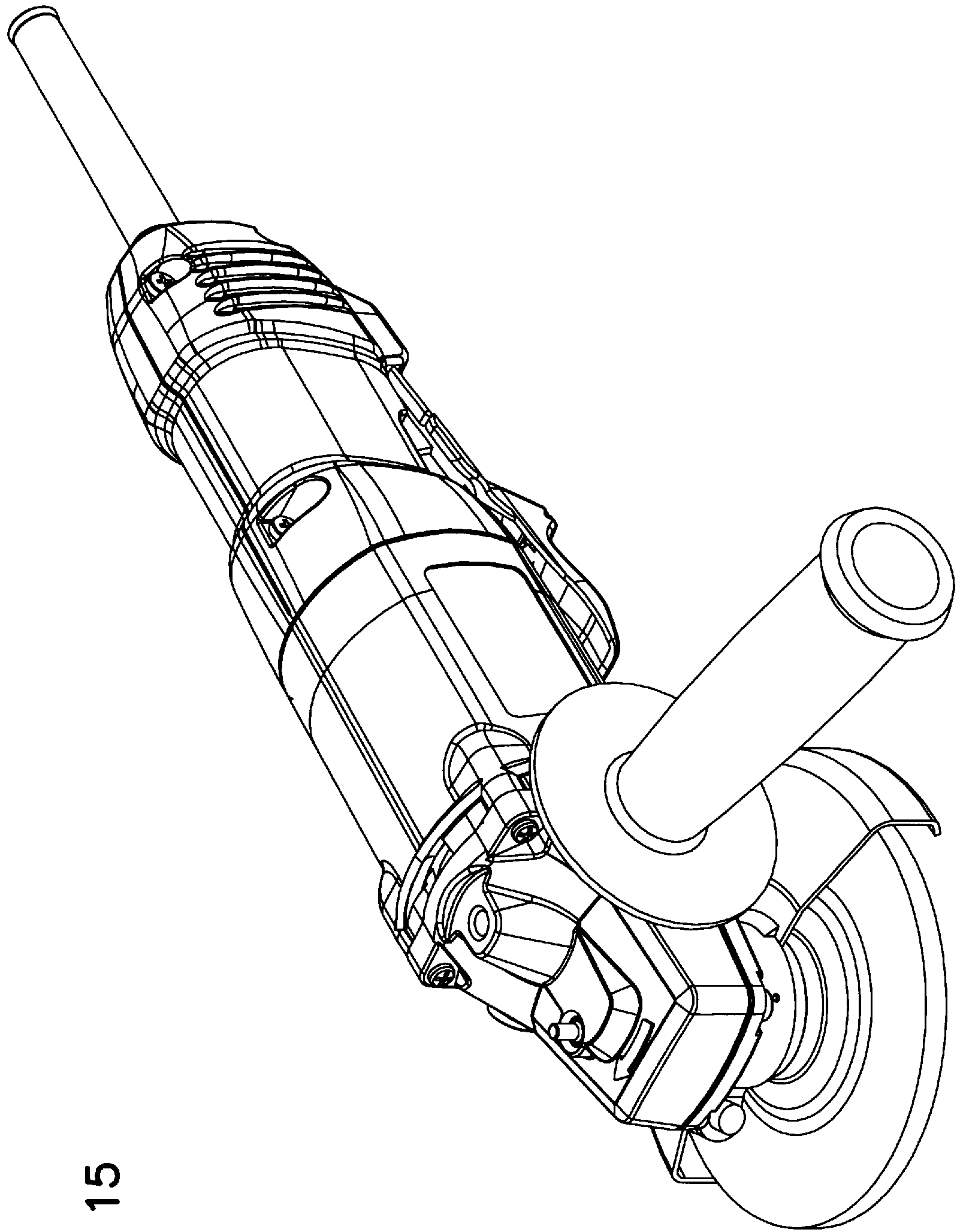


FIG. 15

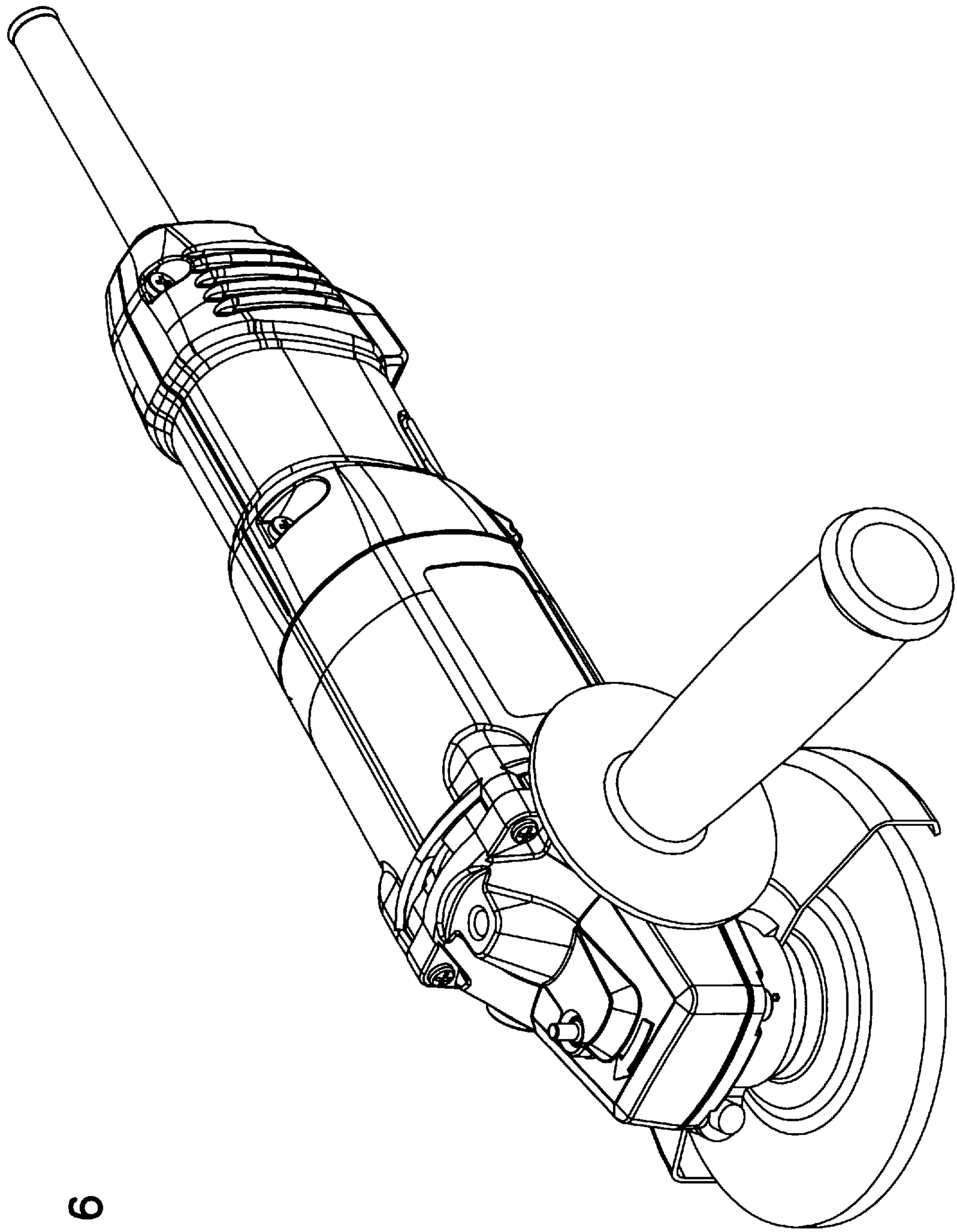


FIG. 16