



US00D402869S

United States Patent [19]
Rivera

[11] **Patent Number: Des. 402,869**

[45] **Date of Patent: **Dec. 22, 1998**

[54] **PAIR OF SCISSORS BLADES**
[75] Inventor: **Benjamin C. Rivera**, West Linn, Oreg.
[73] Assignee: **Leatherman Tool Group, Inc.**,
Portland, Oreg.
[**] Term: **14 Years**
[21] Appl. No.: **78,070**
[22] Filed: **Oct. 16, 1997**

5,142,721 9/1992 Sessions et al. 7/128
5,212,844 5/1993 Sessions et al. 7/128
5,267,366 12/1993 Frazer 7/128
5,526,571 6/1996 Linden 30/255
5,722,171 3/1998 Schmidt 30/255

FOREIGN PATENT DOCUMENTS

409943 5/1910 France .
29556 4/1884 Germany .
145784 7/1902 Germany .
2322229 5/1974 Germany .
521555 3/1955 Italy .
5375 11/1882 United Kingdom .

Related U.S. Application Data

[62] Division of Ser. No. 47,298, Nov. 29, 1995, Pat. No. Des. 385,168.
[51] **LOC (6) Cl.** **08-05**
[52] **U.S. Cl.** **D8/57; D8/52**
[58] **Field of Search** D8/52, 51, 98,
D8/5, 105, 57; D3/18; 30/254, 255, 260,
266, 268; 7/128, 129

OTHER PUBLICATIONS

Slip 'n' Snip Collapsible Scissors, at least as early as Oct. 1994.
Leatherman Tool Group, Inc., "The Original Leatherman PST II"—Jul. 1995.
Folding Scissors, at least as early as Oct. 1994.

Primary Examiner—Philip S. Hyder
Attorney, Agent, or Firm—Chernoff, Vilhauer, McClung & Stenzel

[56] **References Cited**

U.S. PATENT DOCUMENTS

D. 296,042 6/1988 Lee D3/18
D. 303,872 10/1989 Tamamura D3/18
310,439 1/1885 Kamak .
D. 348,191 6/1994 Williams D8/57
D. 364,327 11/1995 Graham D8/105
D. 382,455 8/1997 Berg D8/52
464,405 12/1891 Widmann .
515,828 3/1894 Hayden .
696,995 4/1902 Moser .
1,524,694 2/1925 Maio 30/255
1,828,121 10/1931 Adam et al. .
2,126,699 8/1938 Florian 30/255
2,575,652 11/1951 Bovee 81/43
2,952,912 9/1960 Crawford 30/255
3,766,648 10/1973 Chundelak, Jr. 30/255
3,781,992 1/1974 Barr 30/255
4,238,862 12/1980 Leatherman 7/128
4,744,272 5/1988 Leatherman 7/129
5,062,173 11/1991 Collins et al. 7/128

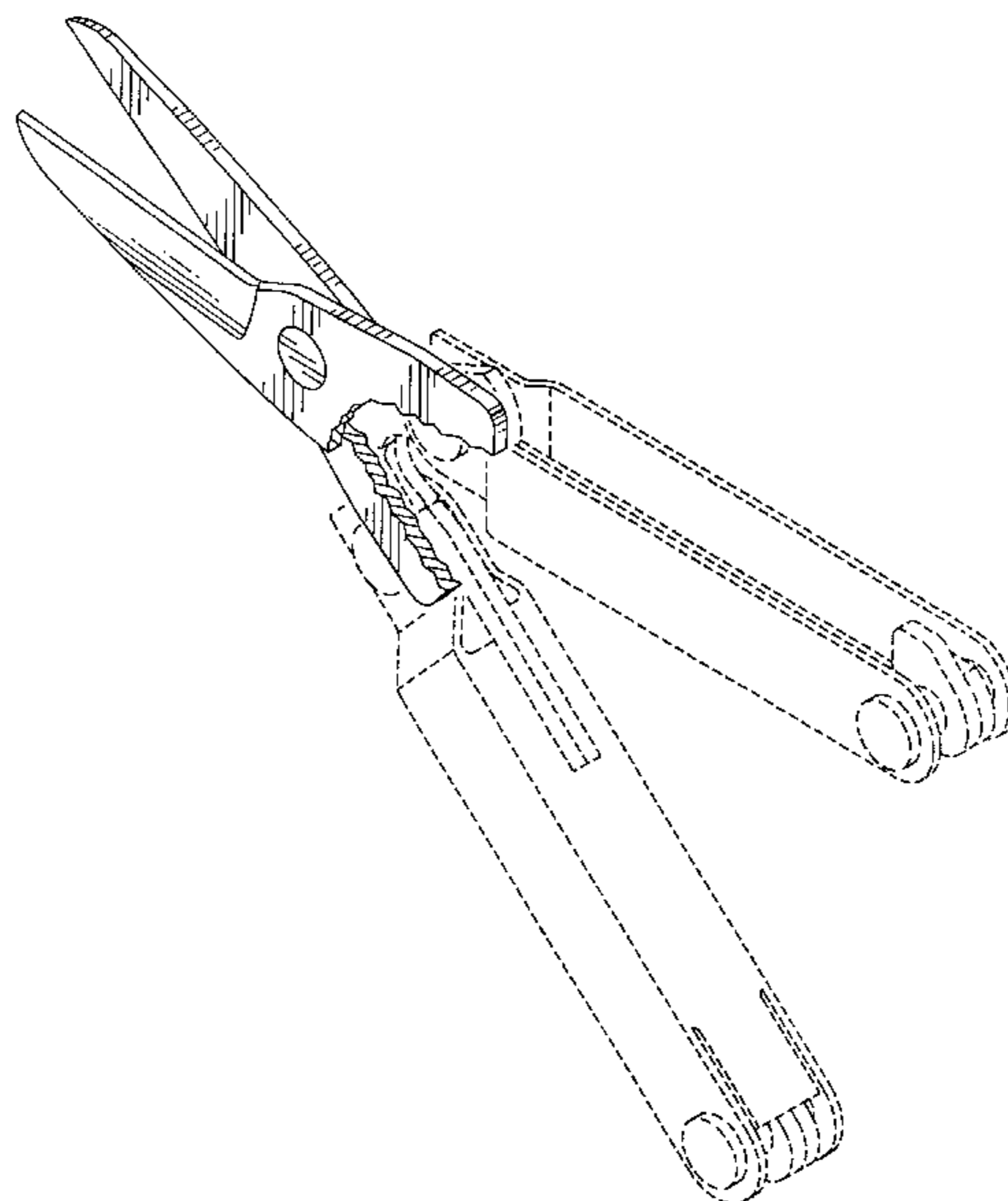
[57] **CLAIM**

The ornamental design for scissors blades, as shown and described.

DESCRIPTION

FIG. 1 is a perspective view of a pair of scissors blades showing my new design, wherein the broken line portions of the blades and the pair of handles are shown for illustrative purposes and form no part of the claimed design;
FIG. 2 is a top plan view of the pair of scissors blades shown in FIG. 1, the bottom plan view thereof being identical therewith;
FIG. 3 is a front, or blade tip end elevational view thereof;
FIG. 4 is a left side elevational view thereof, the right side being identical therewith; and,
FIG. 5 is a rear end elevational view thereof.

1 Claim, 2 Drawing Sheets



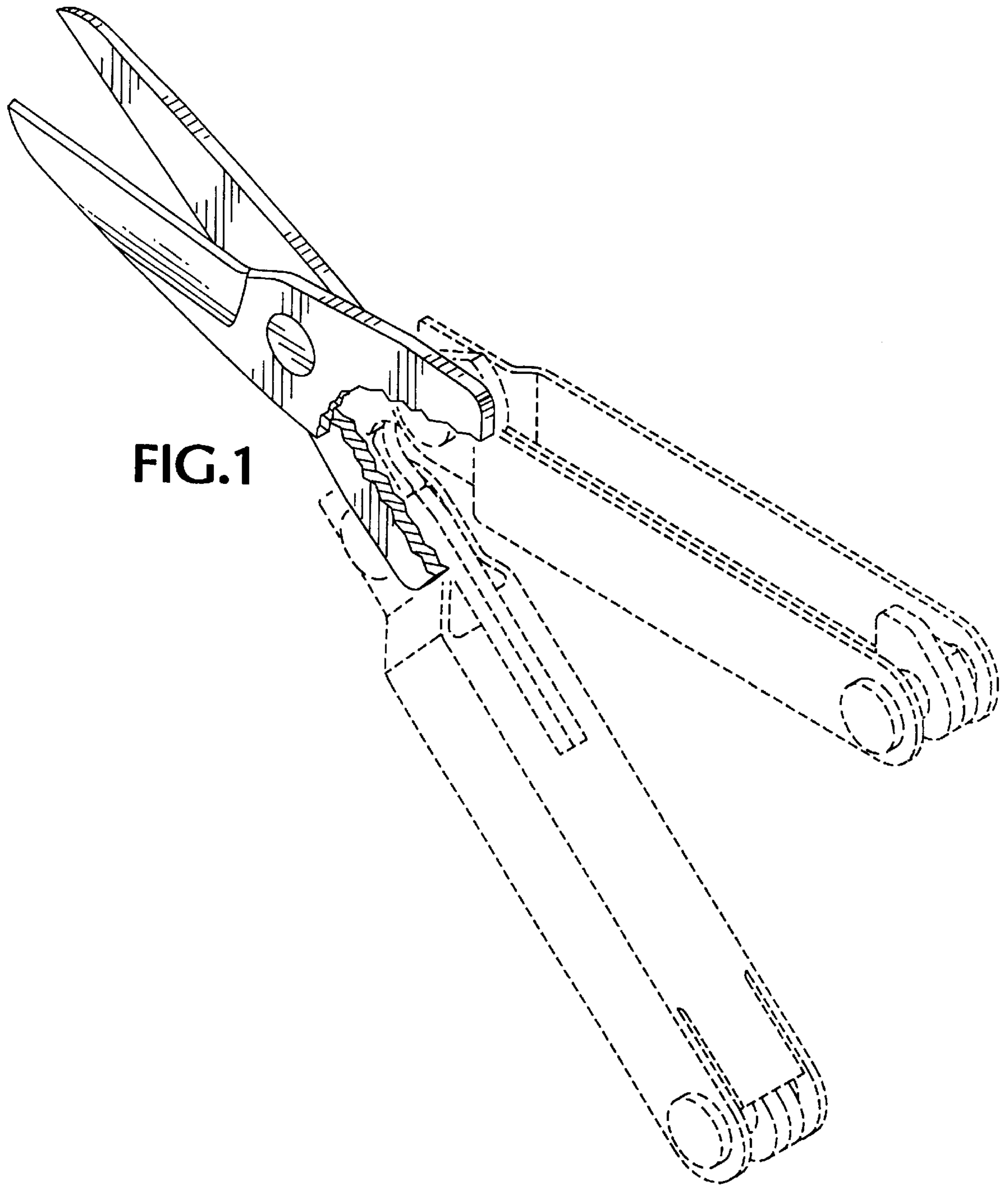




FIG. 2

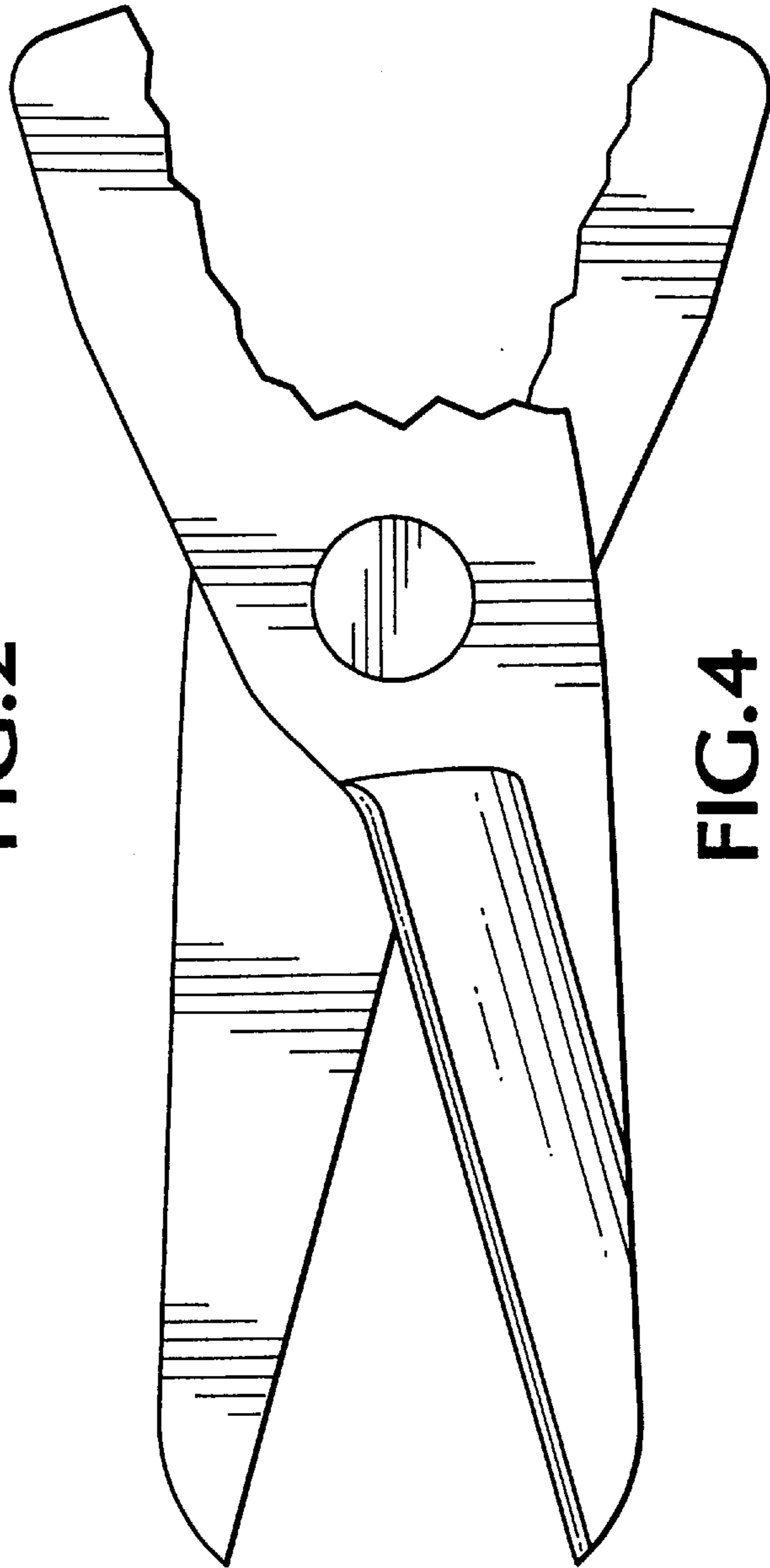


FIG. 4

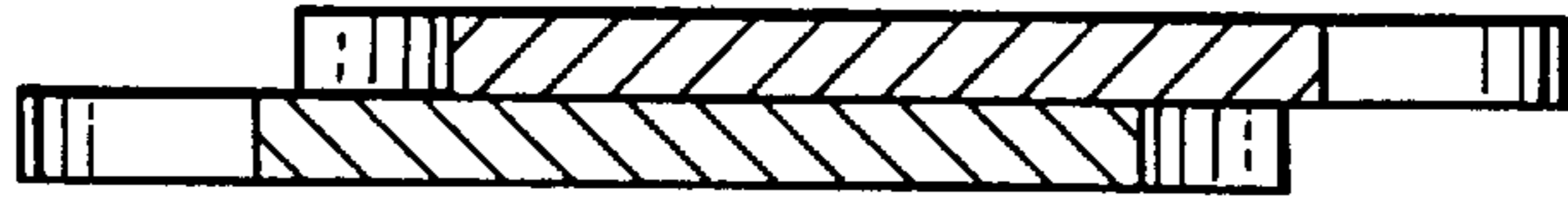


FIG. 5



FIG. 3