

US00D402868S

United States Patent [19]
Mullett

[11] **Patent Number: Des. 402,868**

[45] **Date of Patent: **Dec. 22, 1998**

[54] **PLIERS WITH MULTIPLE TOOLS**

[75] Inventor: **John Richard Mullett**, Leawood, Kans.

[73] Assignee: **Brunswick Corporation**, Tulsa, Okla.

[**] Term: **14 Years**

[21] Appl. No.: **75,818**

[22] Filed: **Aug. 25, 1997**

[51] **LOC (6) Cl.** **08-05**

[52] **U.S. Cl.** **D8/52**

[58] **Field of Search** D8/51, 52, 55,
D8/58, 105; 7/125, 126, 127, 128, 130,
133, 106, 107, 117, 118; 30/91.2, 153,
162, 254; 74/127; 81/424, 426, 427.5, 440;
140/117, 118, 121, 139

[56] **References Cited**

U.S. PATENT DOCUMENTS

D. 338,386	8/1993	Frazer	D8/105
D. 367,807	3/1996	Hung	D8/105
5,029,355	7/1991	Thai	7/118
5,280,659	1/1994	Park	7/128

OTHER PUBLICATIONS

Radio Shack Corporation, "20 Pages of Mail Order Bargains," p. 8, Mar. 1955.

Electrical World p. 37, Apr. 1988.

Primary Examiner—Freda Nunn

Attorney, Agent, or Firm—Wood, Phillips, VanSanten, Clark & Mortimer

[57] **CLAIM**

The ornamental design for pliers with multiple tools, as shown and described.

DESCRIPTION

FIG. 1 is a front, top and left side perspective view of pliers

with multiple tools showing my new design with the pliers closed and the tools in a storage state;

FIG. 2 is a left side elevation view thereof with the pliers closed and the tools in a storage state;

FIG. 3 is a right side elevation view thereof with the pliers closed and the tools in a storage state;

FIG. 4 is a plan view thereof with the pliers closed and the tools in a storage state;

FIG. 5 is a bottom view thereof with the pliers closed and the tools in a storage state;

FIG. 6 is a front elevation view thereof with the pliers closed and the tools in a storage state;

FIG. 7 is a rear elevation view thereof with the pliers closed and the tools in a storage state;

FIG. 8 is a view as in FIG. 1 with the pliers in an open state and the tools repositioned outwardly from the storage state;

FIG. 9 is a left side view thereof with the pliers in an open state and the tools repositioned outwardly from the storage state;

FIG. 10 is a right side elevation view thereof with the pliers in an open state and the tools repositioned outwardly from the storage state;

FIG. 11 is a plan view thereof with the pliers in an open state and the tools repositioned outwardly from the storage state;

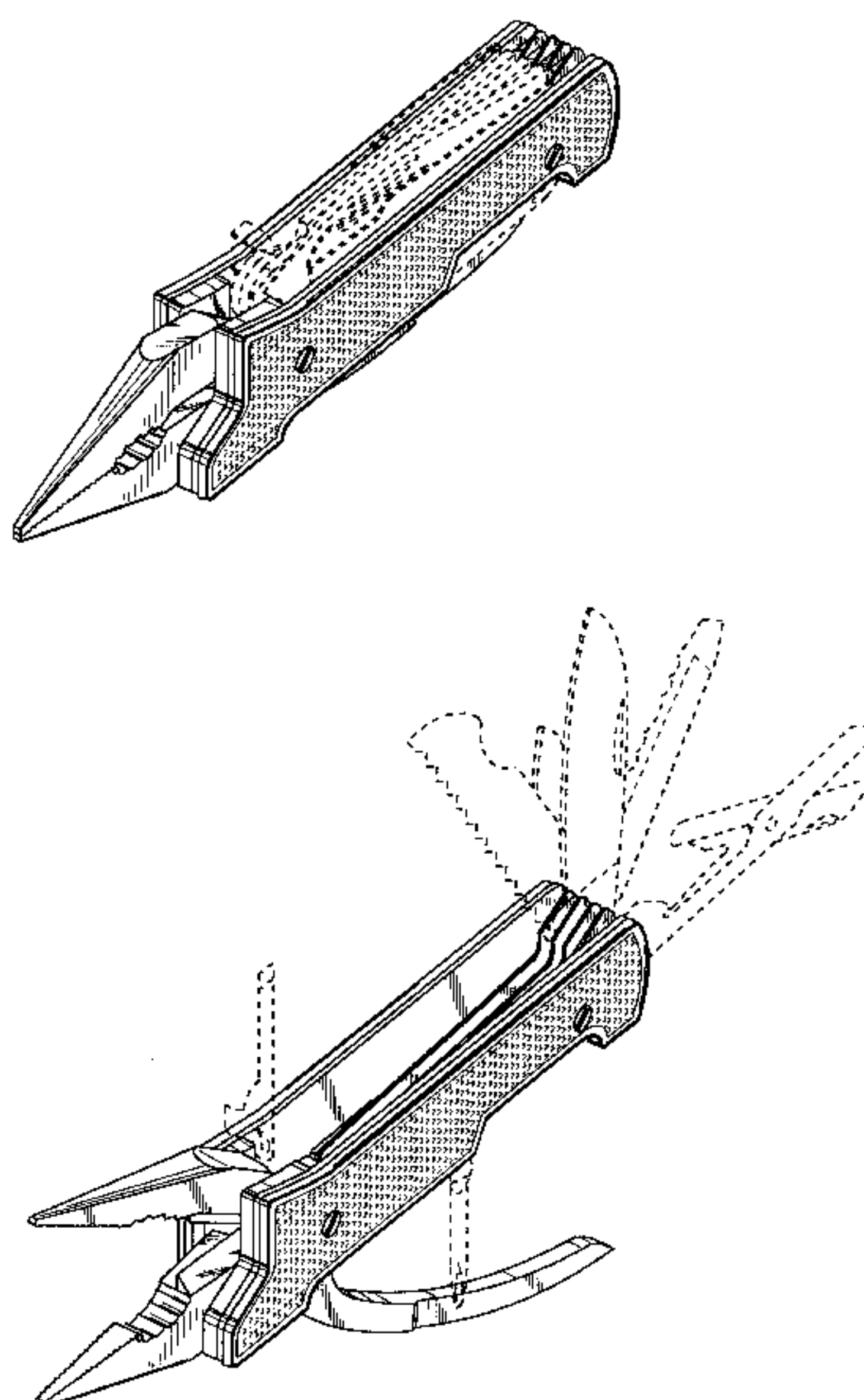
FIG. 12 is a bottom view thereof with the pliers in an open state and the tools repositioned outwardly from the storage state;

FIG. 13 is a rear elevation view thereof with the pliers in an open state and the tools repositioned outwardly from the storage state; and,

FIG. 14 is a front elevation view thereof with the pliers in an open state and the tools repositioned outwardly from the storage state.

The portions of the pliers with the multiple tools as shown and in dotted lines do not constitute a part of the claimed design.

1 Claim, 8 Drawing Sheets



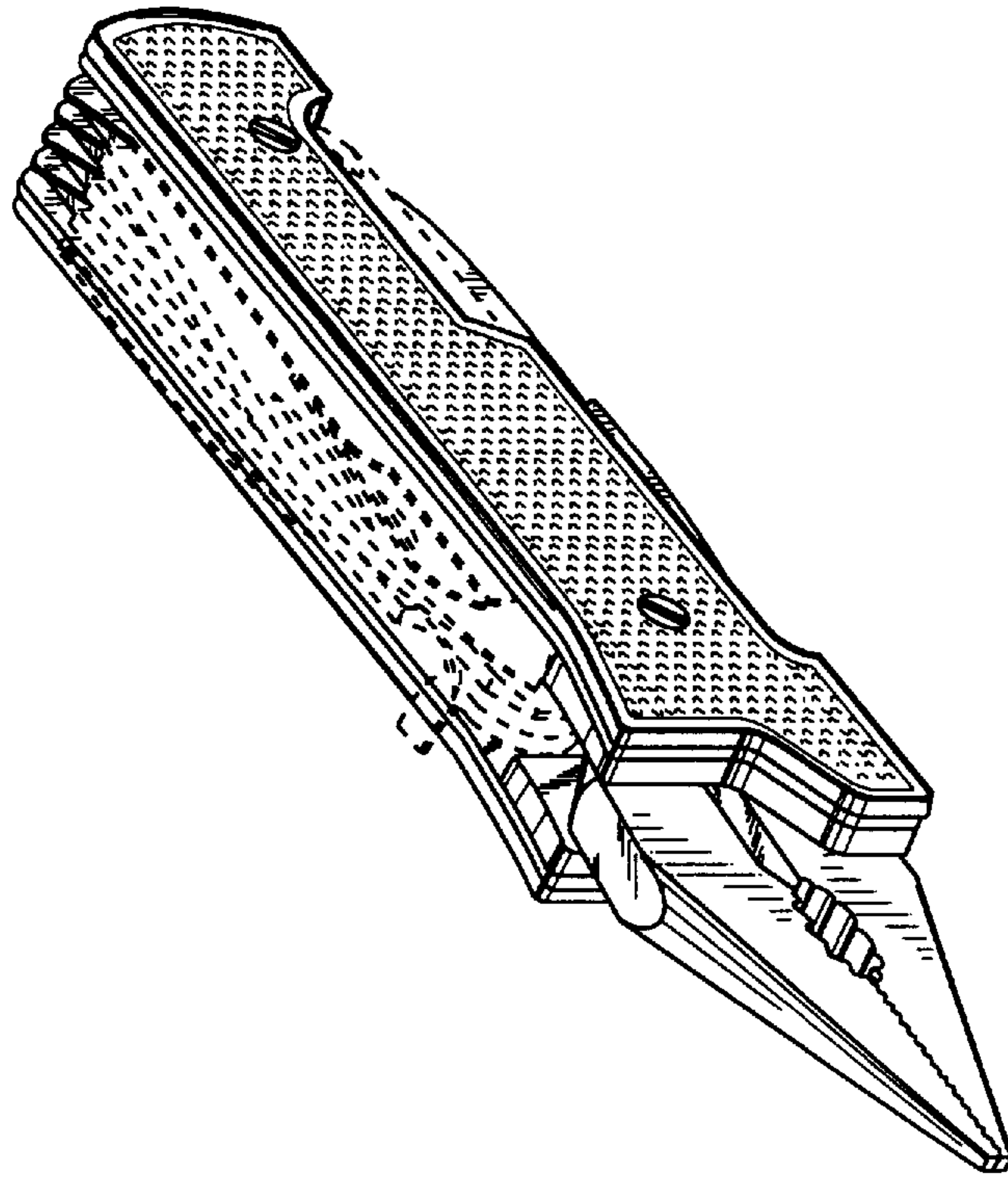


Fig. 1

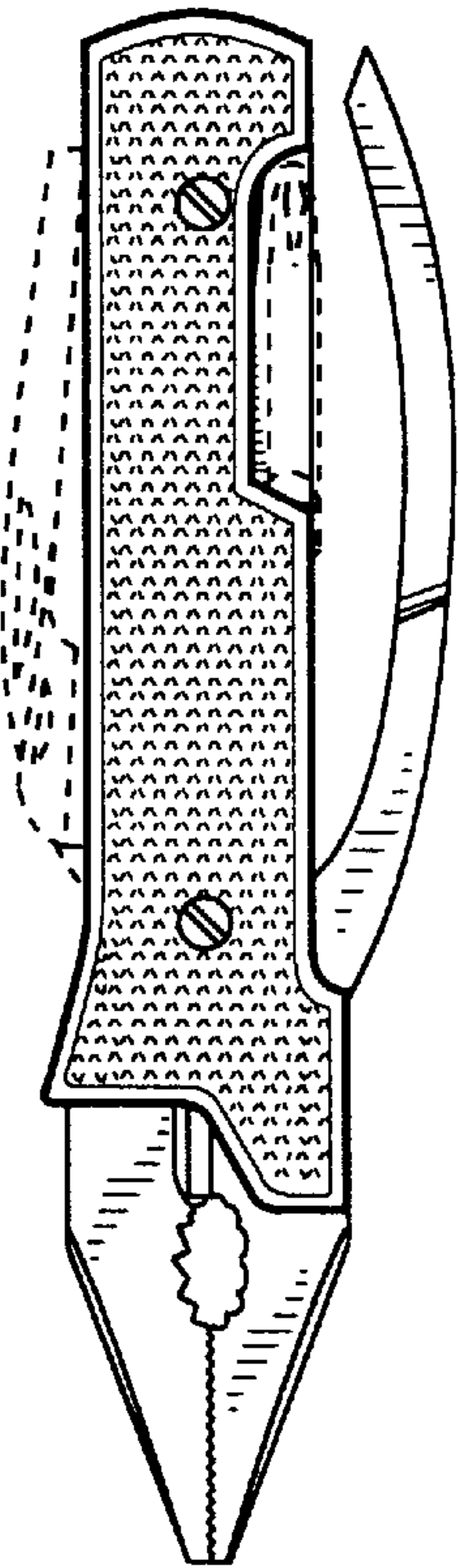


Fig. 2

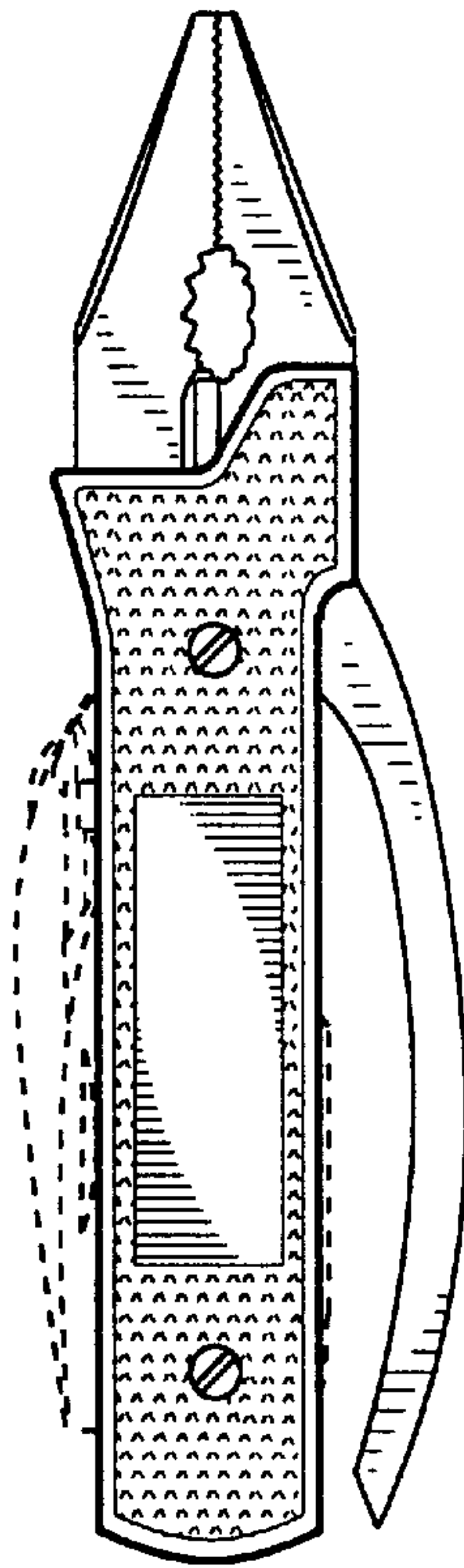


Fig. 3

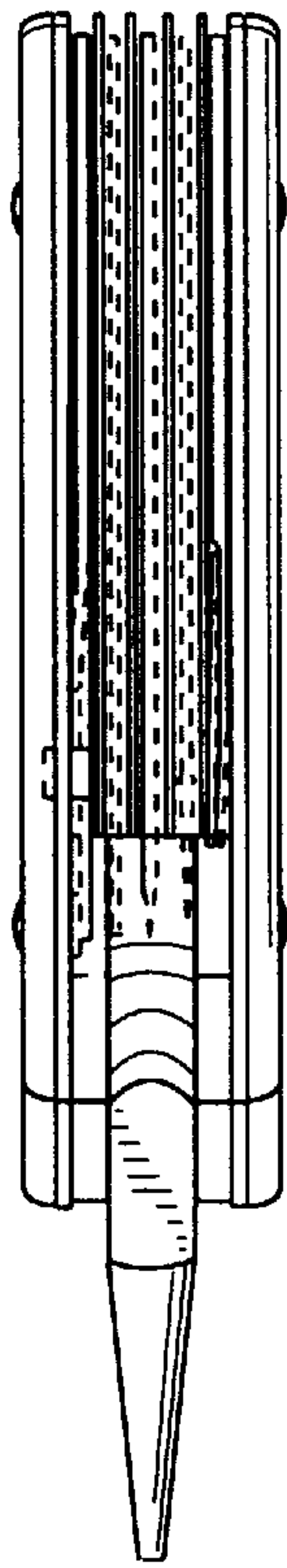


Fig. 4

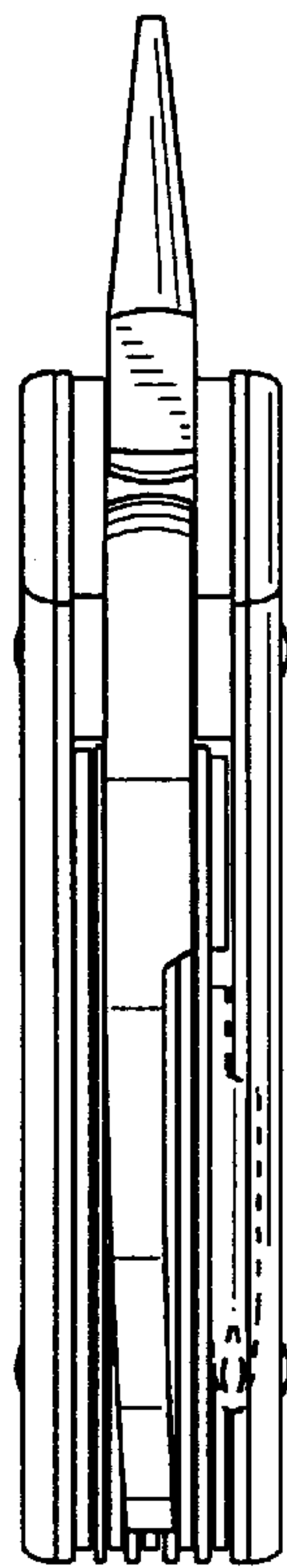


Fig. 5

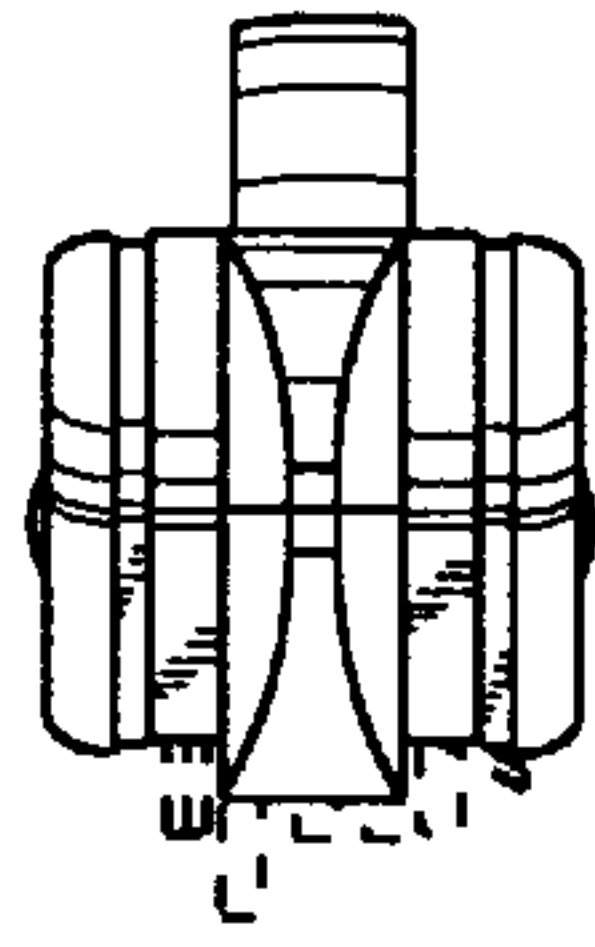


Fig. 6

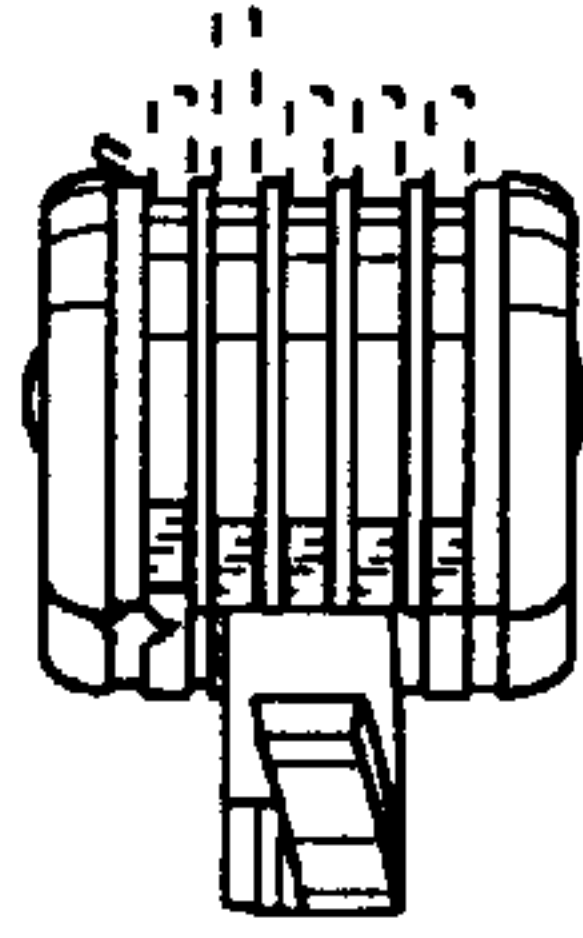


Fig. 7

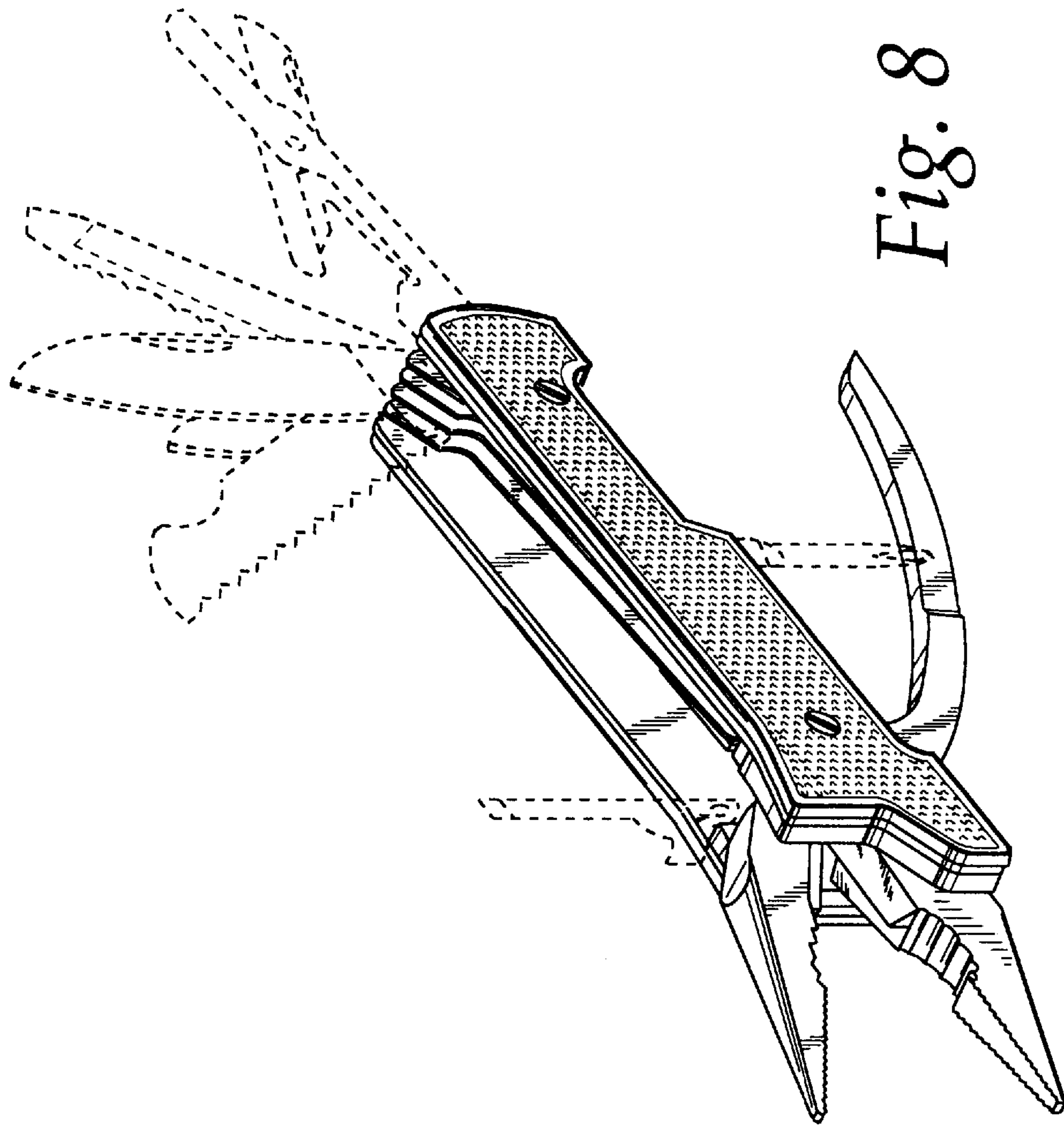


Fig. 8

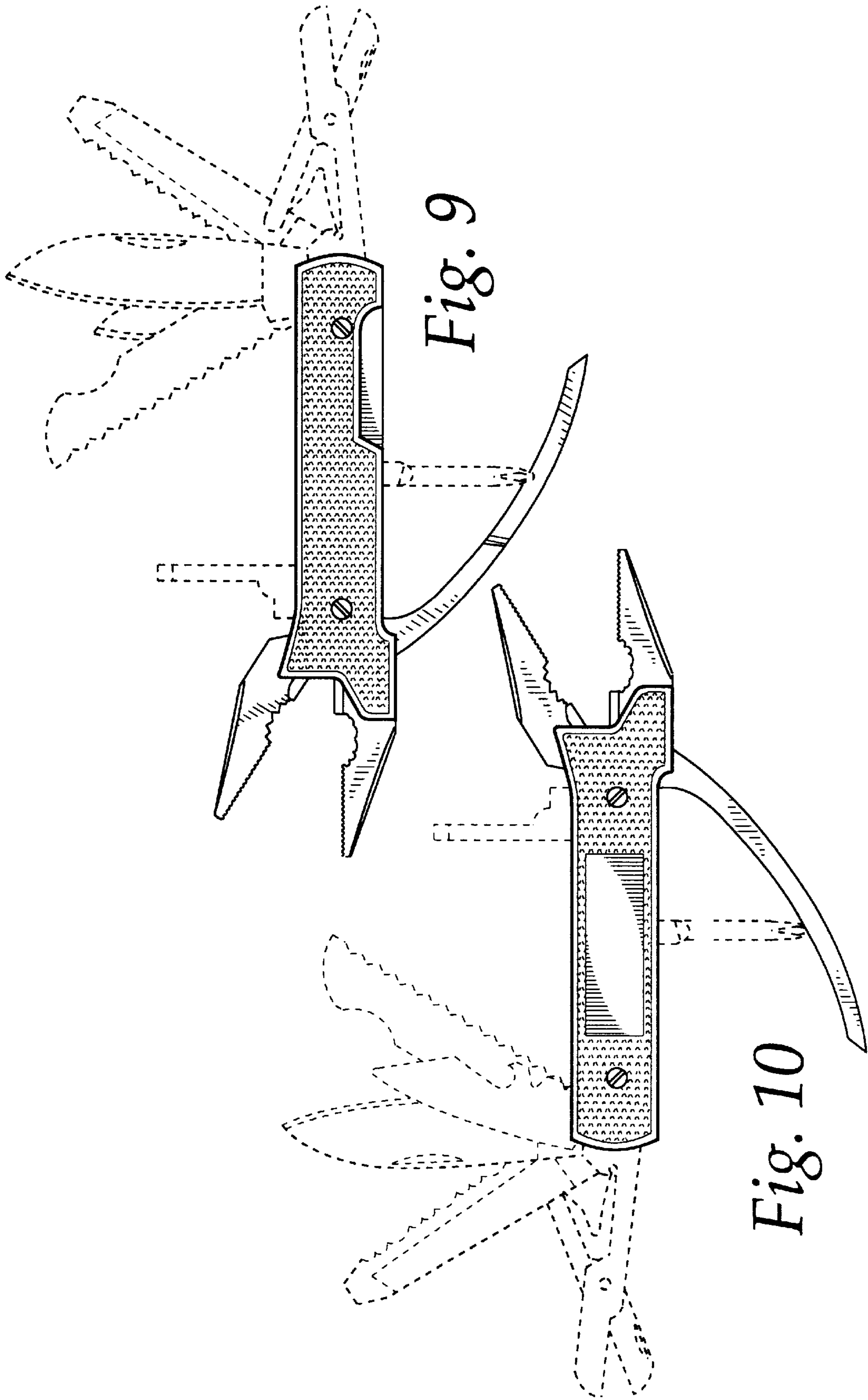


Fig. 9

Fig. 10

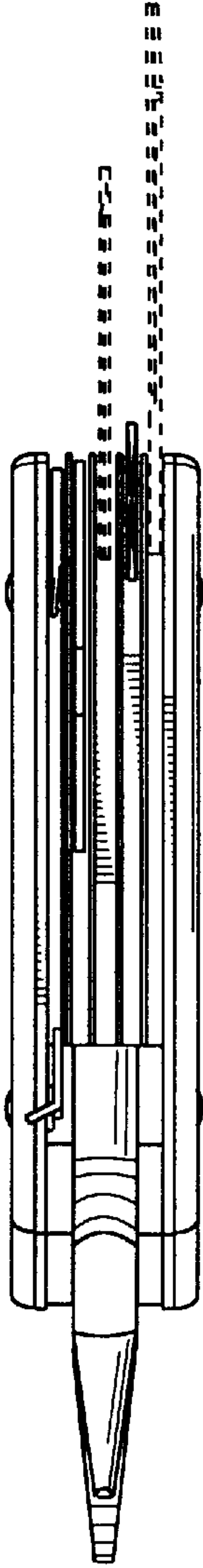


Fig. 11

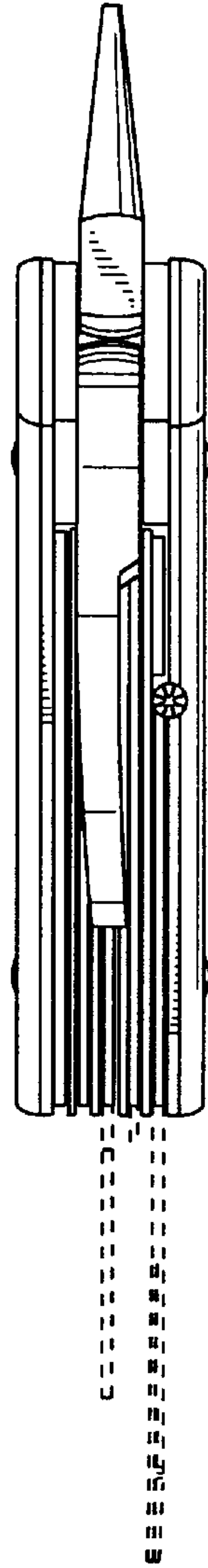


Fig. 12

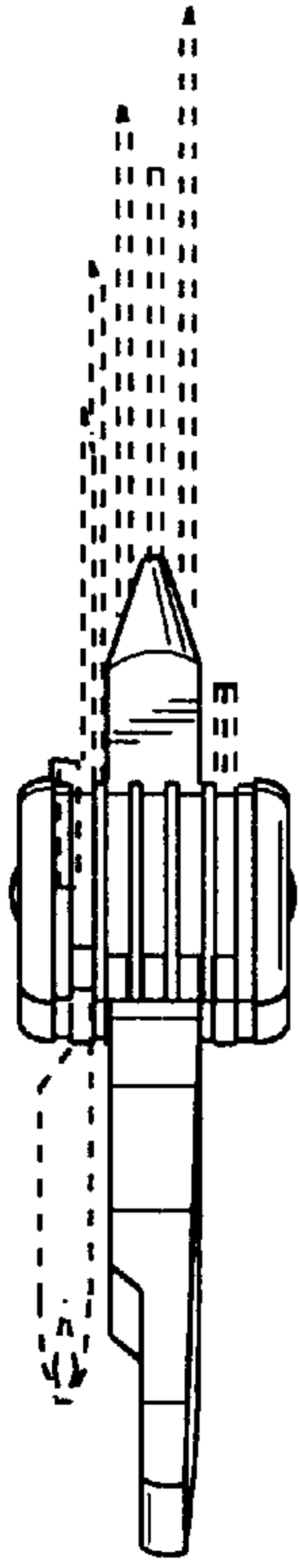


Fig. 13

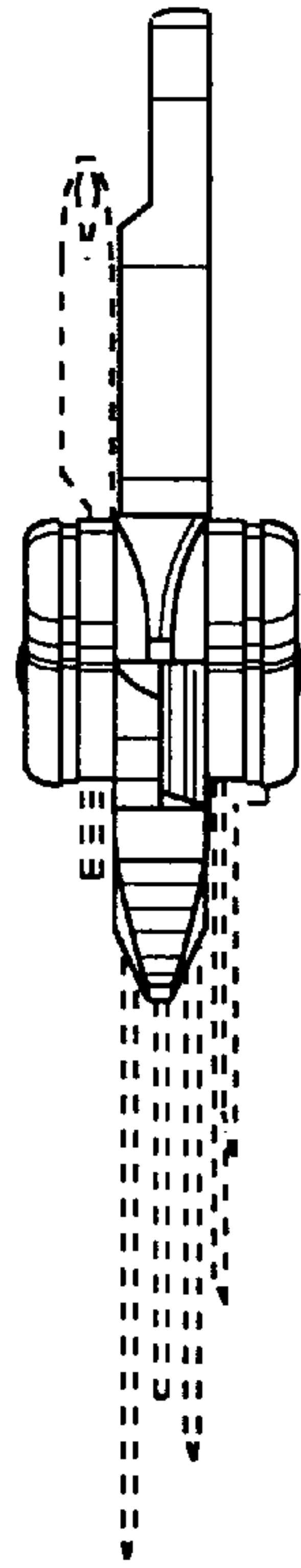


Fig. 14