



US00D402860S

United States Patent [19] Stills

[11] **Patent Number: Des. 402,860**

[45] **Date of Patent: **Dec. 22, 1998**

[54] **FORK**

[76] Inventor: **James L. Stills**, 331 Curt Jarrett Rd.,
Ashville, Ala. 35953

[**] Term: **14 Years**

[21] Appl. No.: **83,272**

[22] Filed: **Feb. 9, 1998**

[51] **LOC (6) Cl. 07-06**

[52] **U.S. Cl. D7/683; D7/686**

[58] **Field of Search D7/683, 686; 30/129,
30/322, 323; 294/99.2**

5,447,351 9/1995 Klunder 294/99.2

FOREIGN PATENT DOCUMENTS

598021 9/1959 Italy 30/129

Primary Examiner—Terry A. Wallace
Attorney, Agent, or Firm—Veal & Associates; Robert J. Veal; Kenneth M. Bush

[57] CLAIM

The ornamental design for the fork, as shown and described.

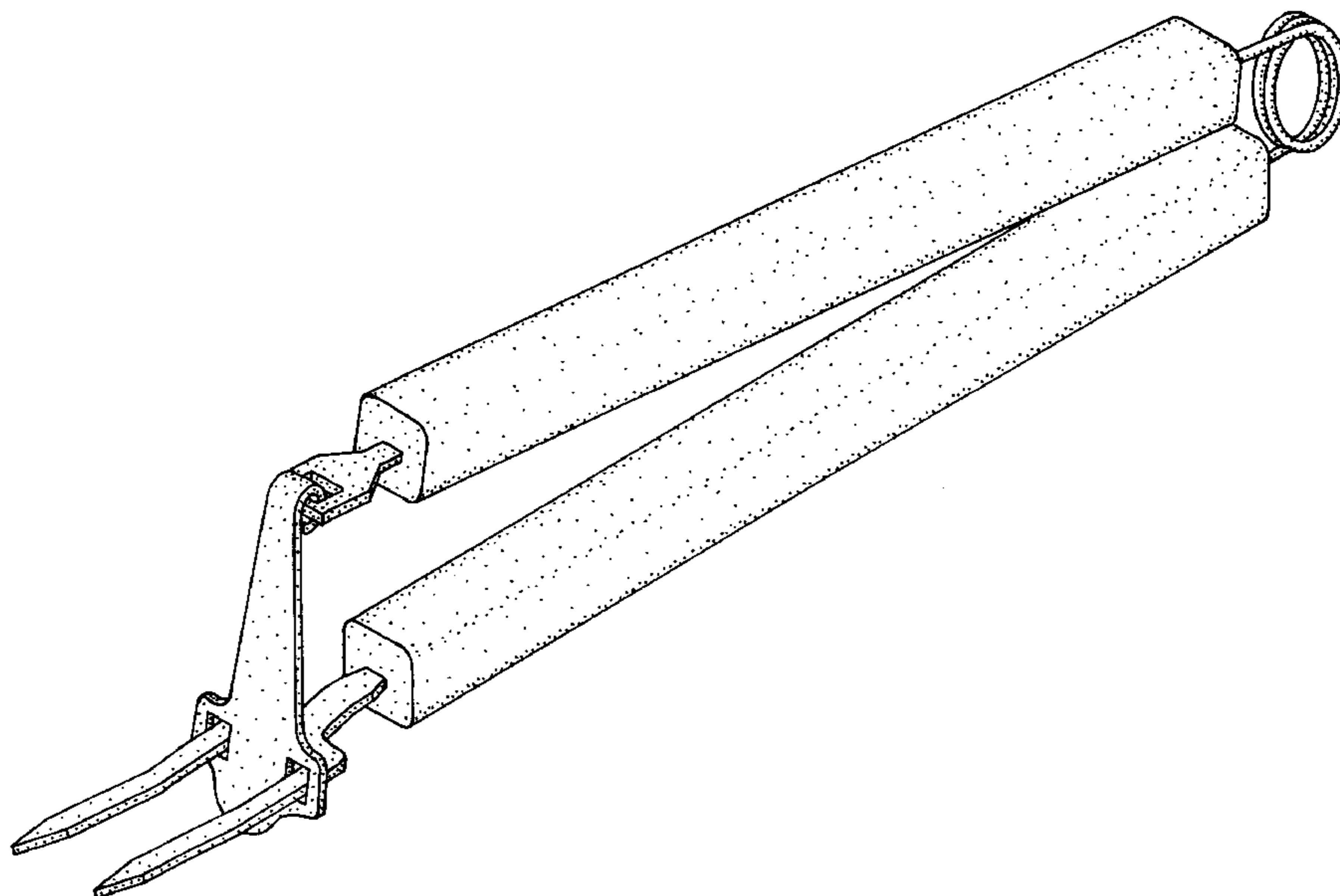
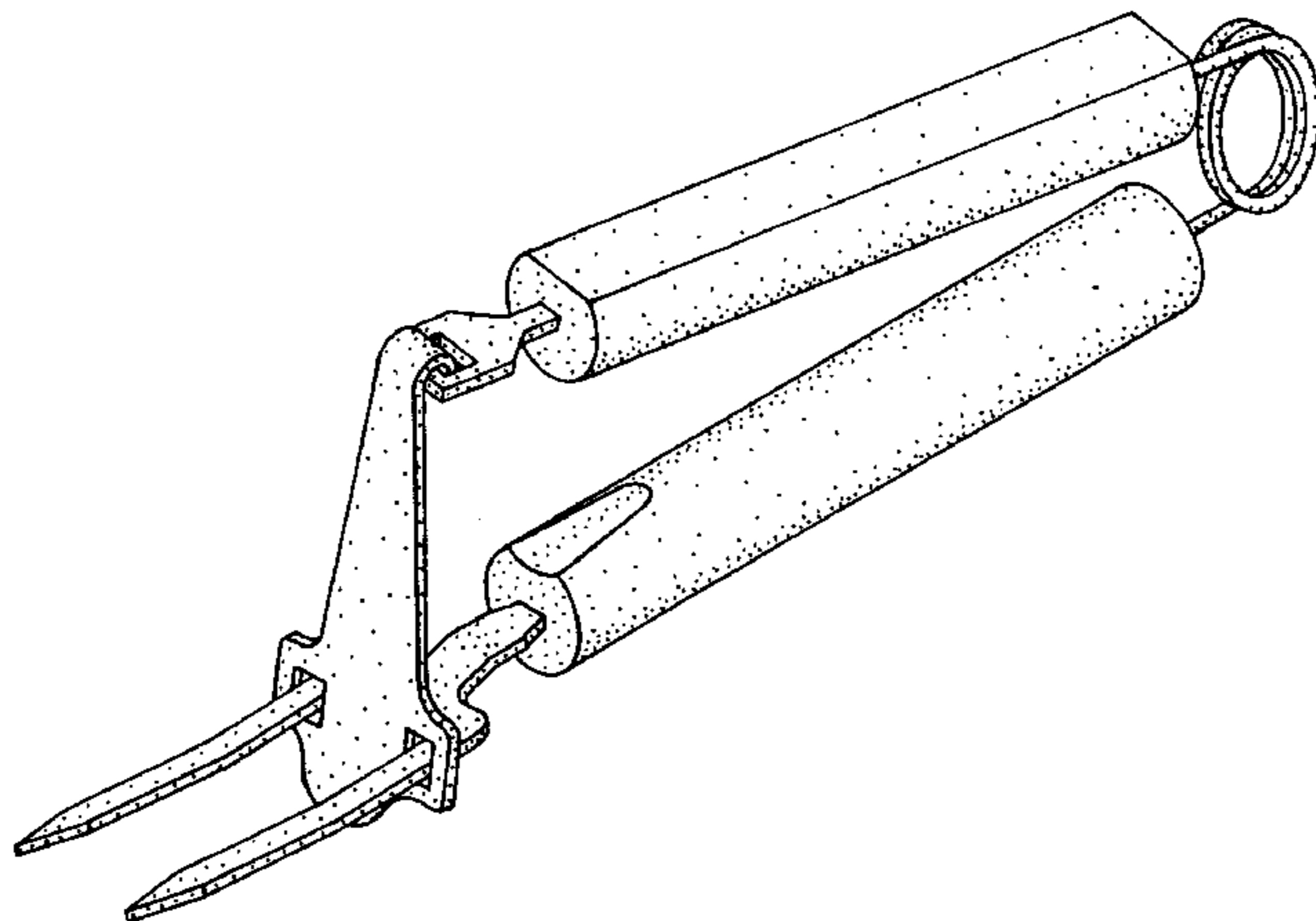
DESCRIPTION

FIG. 1 is a perspective view of a fork showing my new design;
 FIG. 2 is a front elevational view thereof;
 FIG. 3 is rear elevational view thereof;
 FIG. 4 is a side elevational view thereof;
 FIG. 5 is a side elevational view of the side opposite that shown in FIG. 4;
 FIG. 6 is a top plan view thereof;
 FIG. 7 is a bottom view thereof; and,
 FIG. 8 is a perspective view of an alternate embodiment.

[56] **References Cited**
 U.S. PATENT DOCUMENTS

540,958	6/1895	Dow	D7/683 X
1,065,433	6/1913	Dow et al.	30/323
1,255,945	2/1918	Stimecz	294/50
1,321,594	11/1919	Burlingame	294/99.2
1,432,108	10/1922	Johnson	31/129
2,430,242	11/1947	Nichols	294/50
3,602,541	8/1971	Sharpe	294/50
4,923,234	5/1990	Fairley	294/99.2

1 Claim, 3 Drawing Sheets



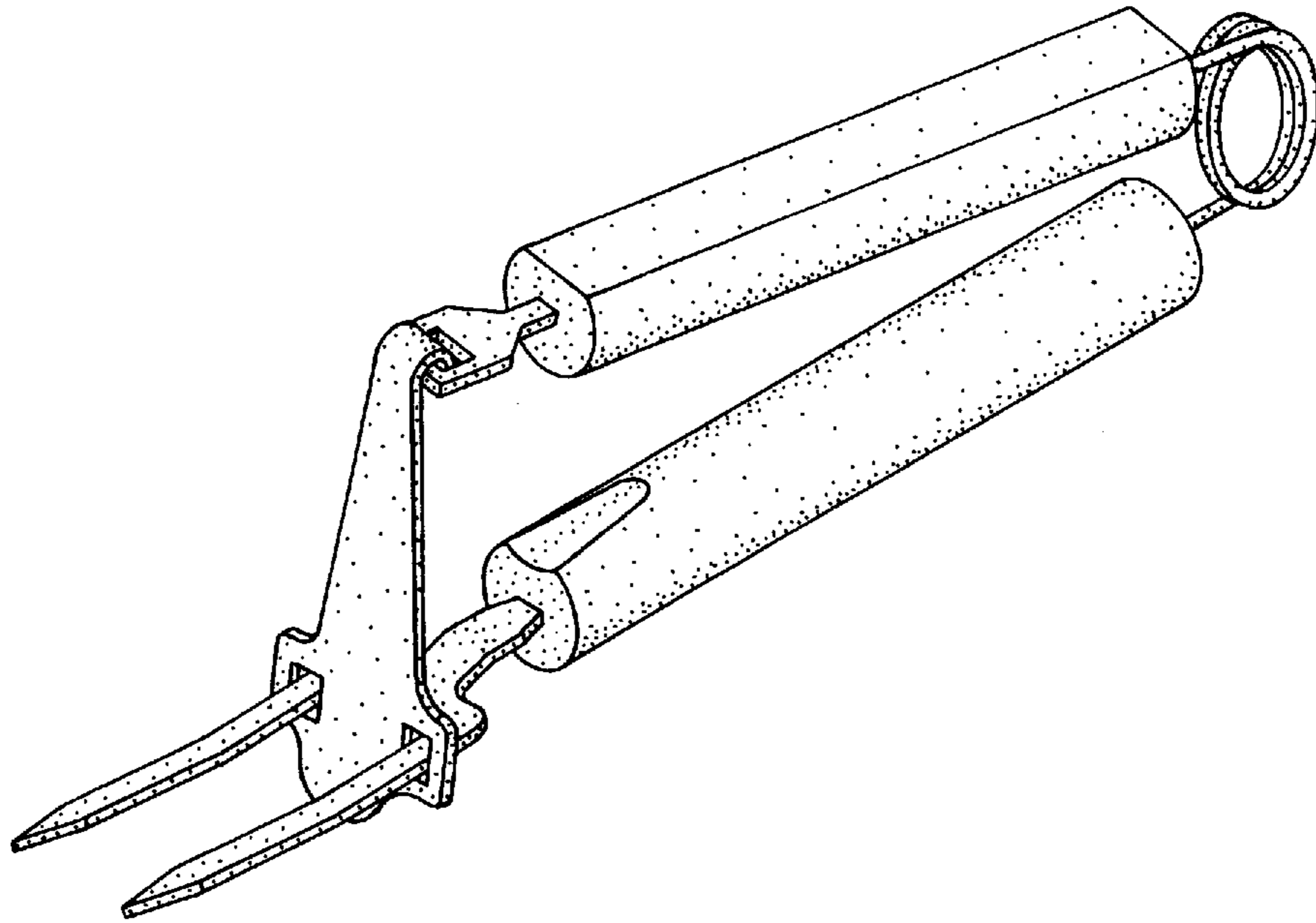


FIG. 1

FIG. 2

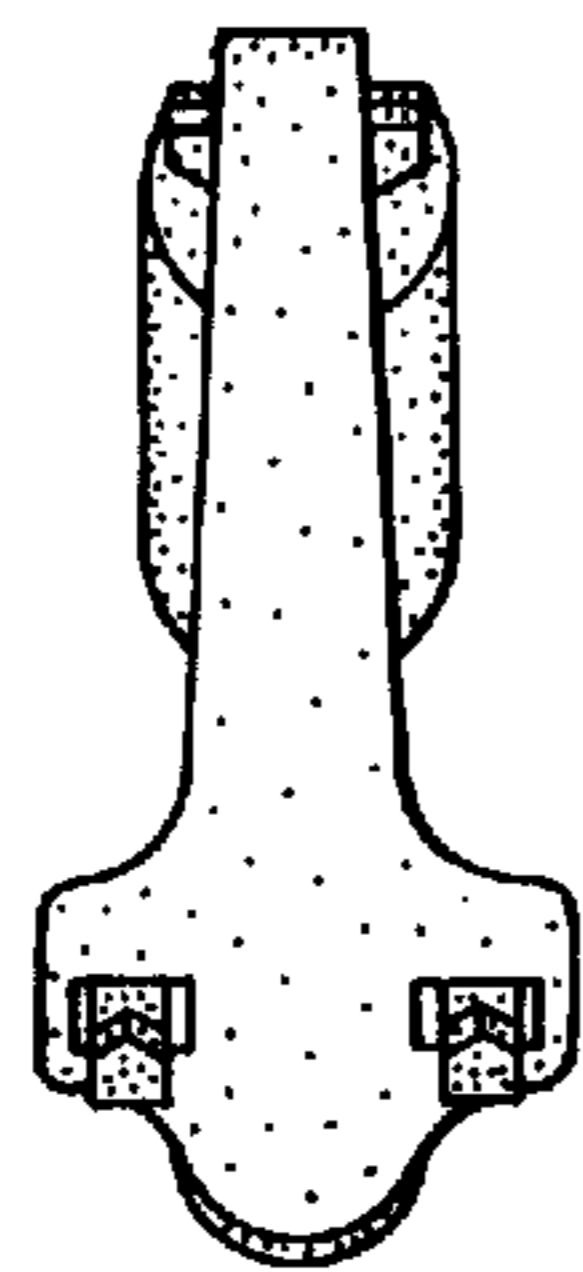


FIG. 3

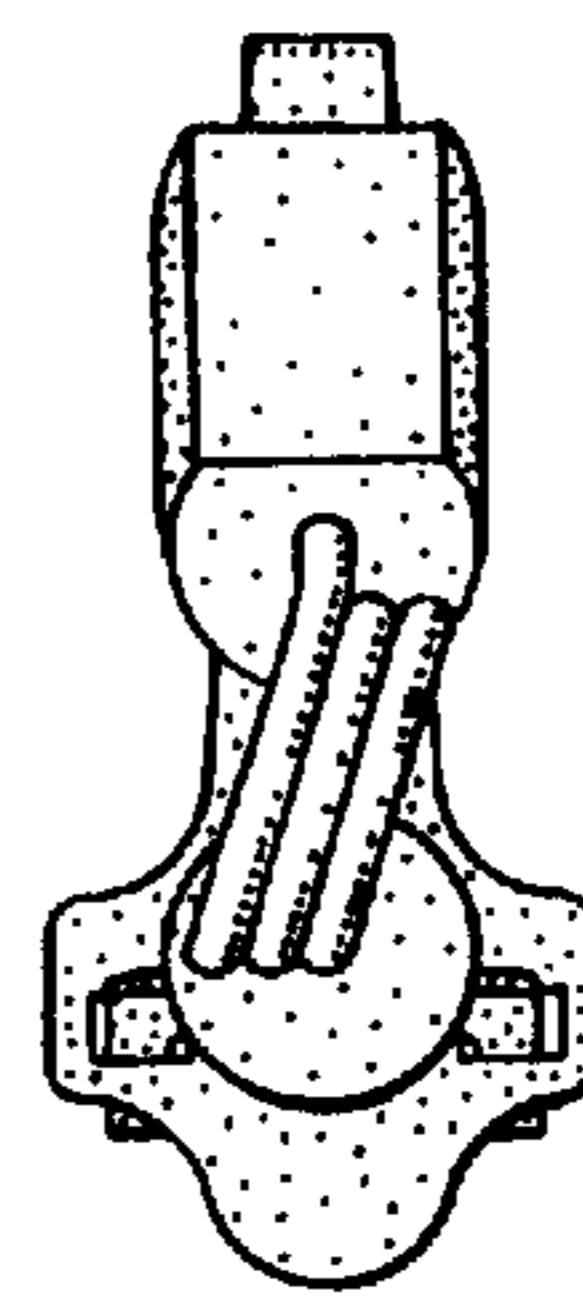


FIG. 4

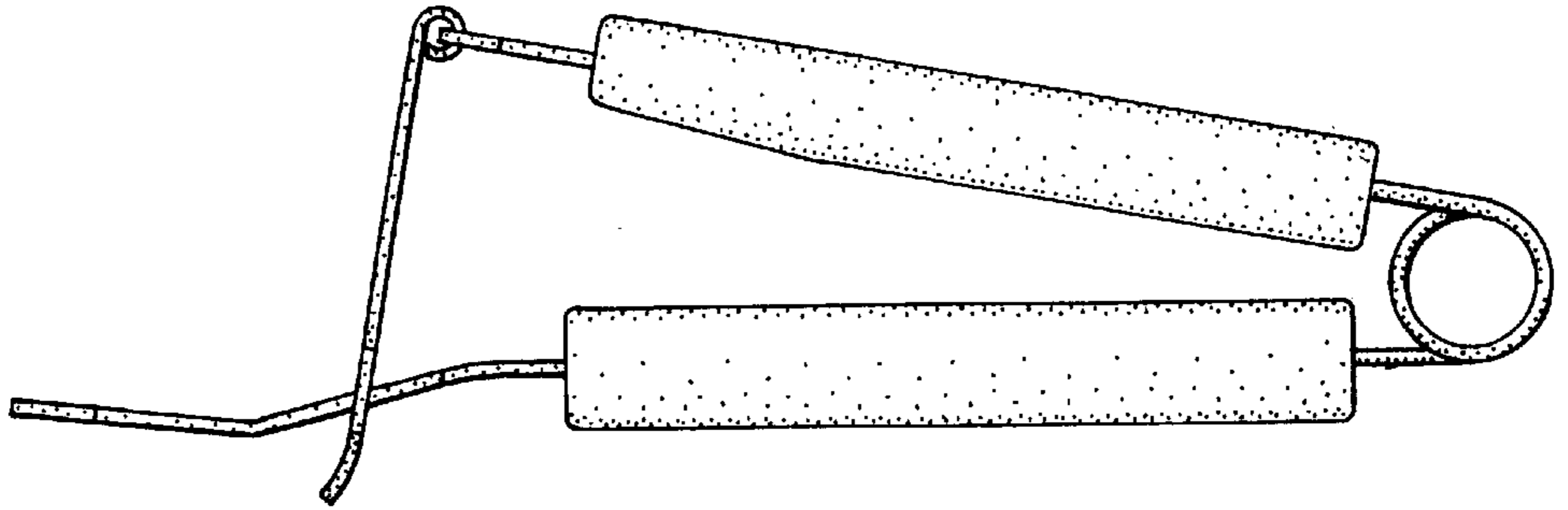


FIG. 5

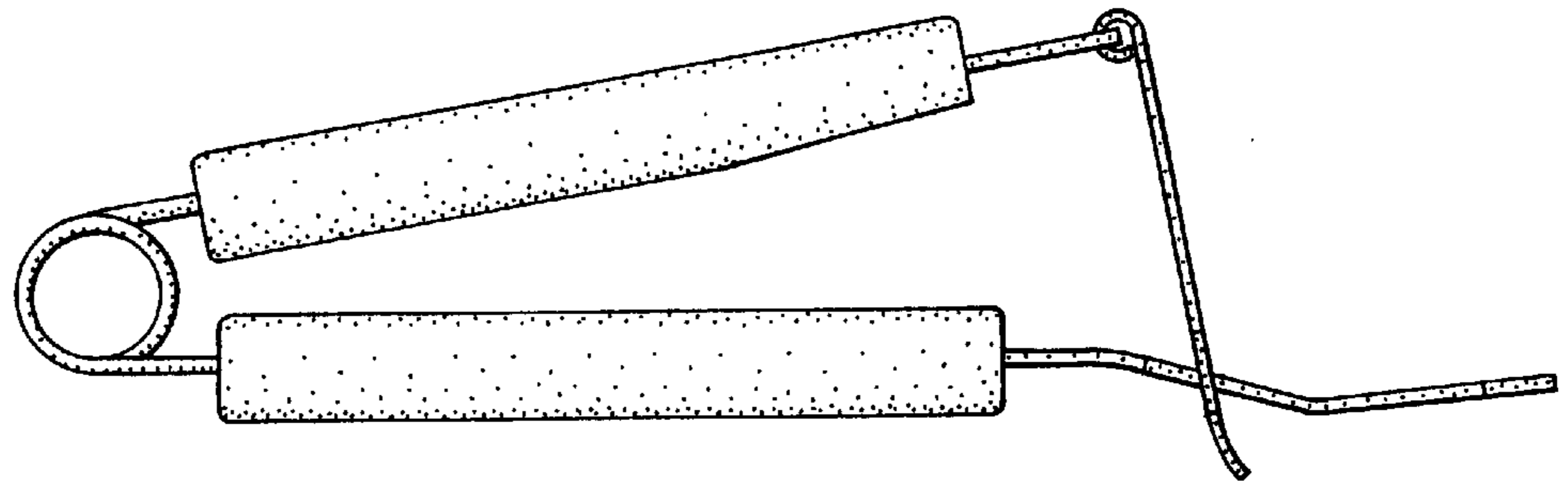


FIG. 6

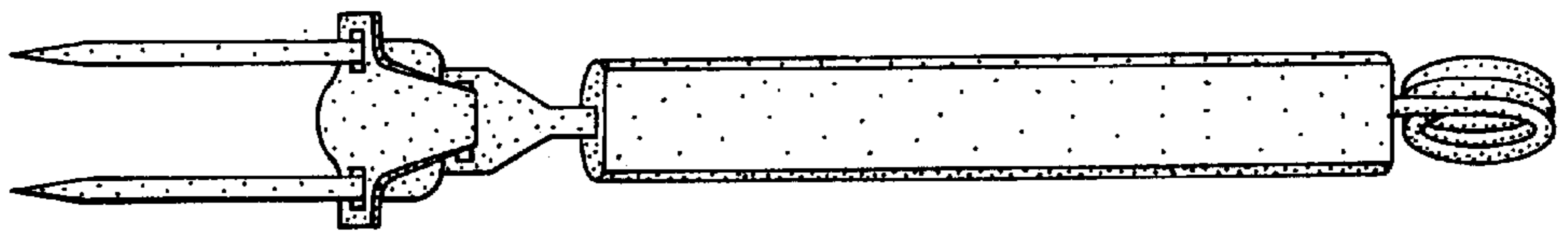


FIG. 7

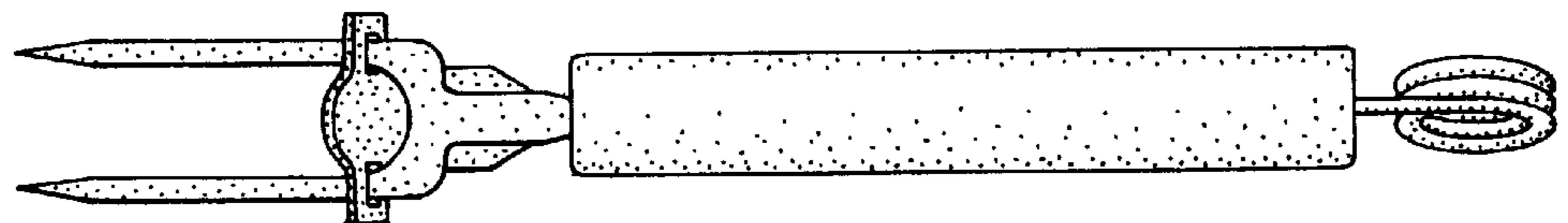


FIG. 8

