



US00D402859S

# United States Patent [19] Diefenbach

[11] **Patent Number: Des. 402,859**

[45] **Date of Patent: \*\*Dec. 22, 1998**

[54] **GRINDER FOR FOODSTUFFS**

D. 335,066 4/1993 Good ..... D7/596  
5,269,475 12/1993 Diefenbach ..... 241/169.1

[75] Inventor: **Berndt Diefenbach**, Mahon, Spain

[73] Assignee: **Maxpat Trading & Marketing (Far East) Limited**, Kowloon, Hong Kong

[\*\*] Term: **14 Years**

*Primary Examiner*—Terry A. Wallace  
*Attorney, Agent, or Firm*—Blakely Sokoloff Taylor & Zafman

[21] Appl. No.: **80,740**

[57] **CLAIM**

The ornamental design for grinder for foodstuffs, as shown and described.

[22] Filed: **Dec. 15, 1997**

**DESCRIPTION**

[30] **Foreign Application Priority Data**

Jun. 25, 1997 [GB] United Kingdom ..... 2066912

FIG. 1 is a front elevation view of a grinder for foodstuffs showing my new design;

[51] **LOC (6) Cl.** ..... **07-04**

FIG. 2 is a left side elevation view thereof;

[52] **U.S. Cl.** ..... **D7/679; D7/596**

FIG. 3 is a bottom plan view thereof;

[58] **Field of Search** ..... D7/596, 679; 241/95, 241/101.1, 168, 169, 169.1, DIG. 17, DIG. 27

FIG. 4 is a right side elevation view thereof;

FIG. 5 is a top plan view thereof;

FIG. 6 is a rear elevation view thereof;

FIG. 7 is a perspective view thereof; and,

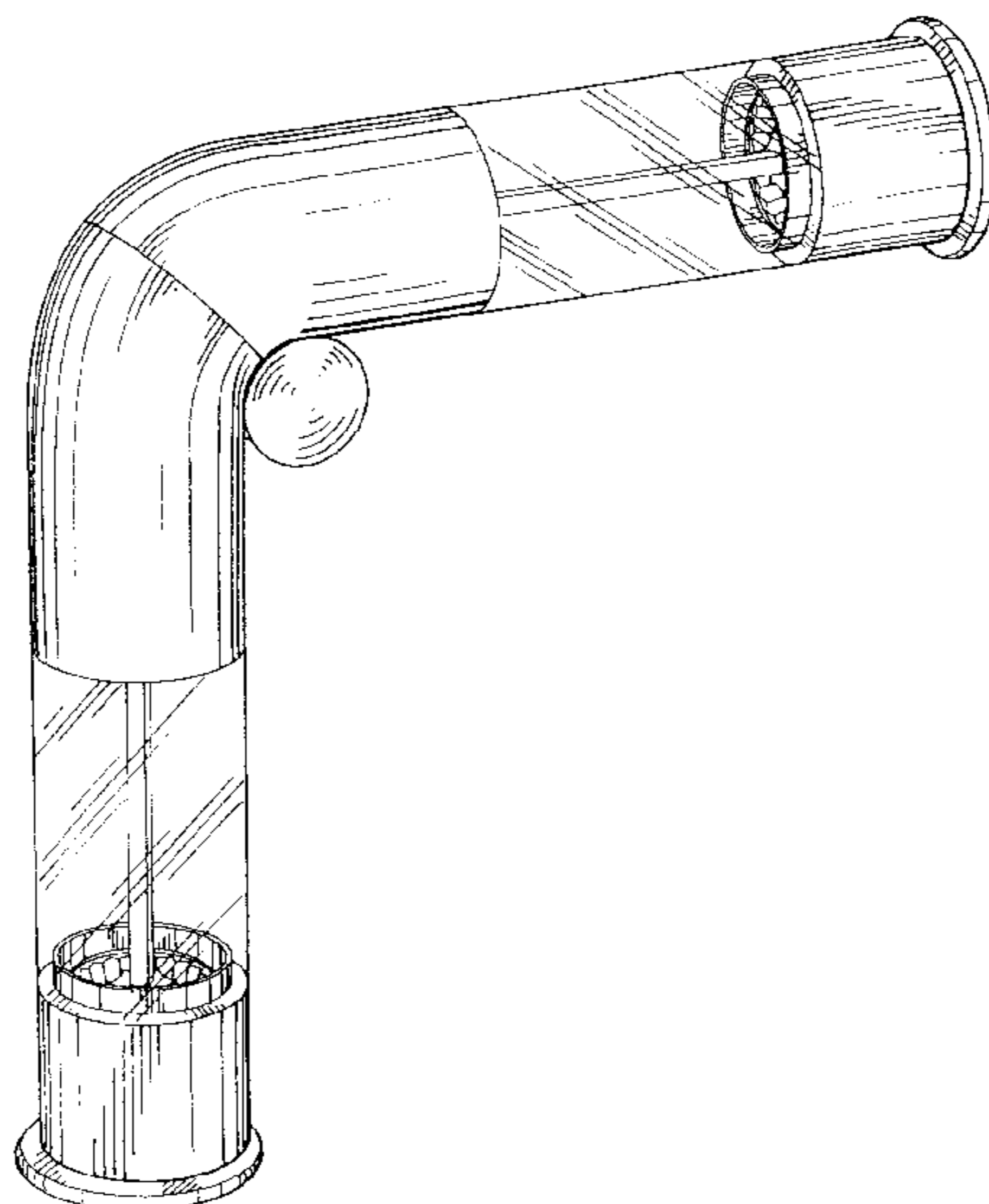
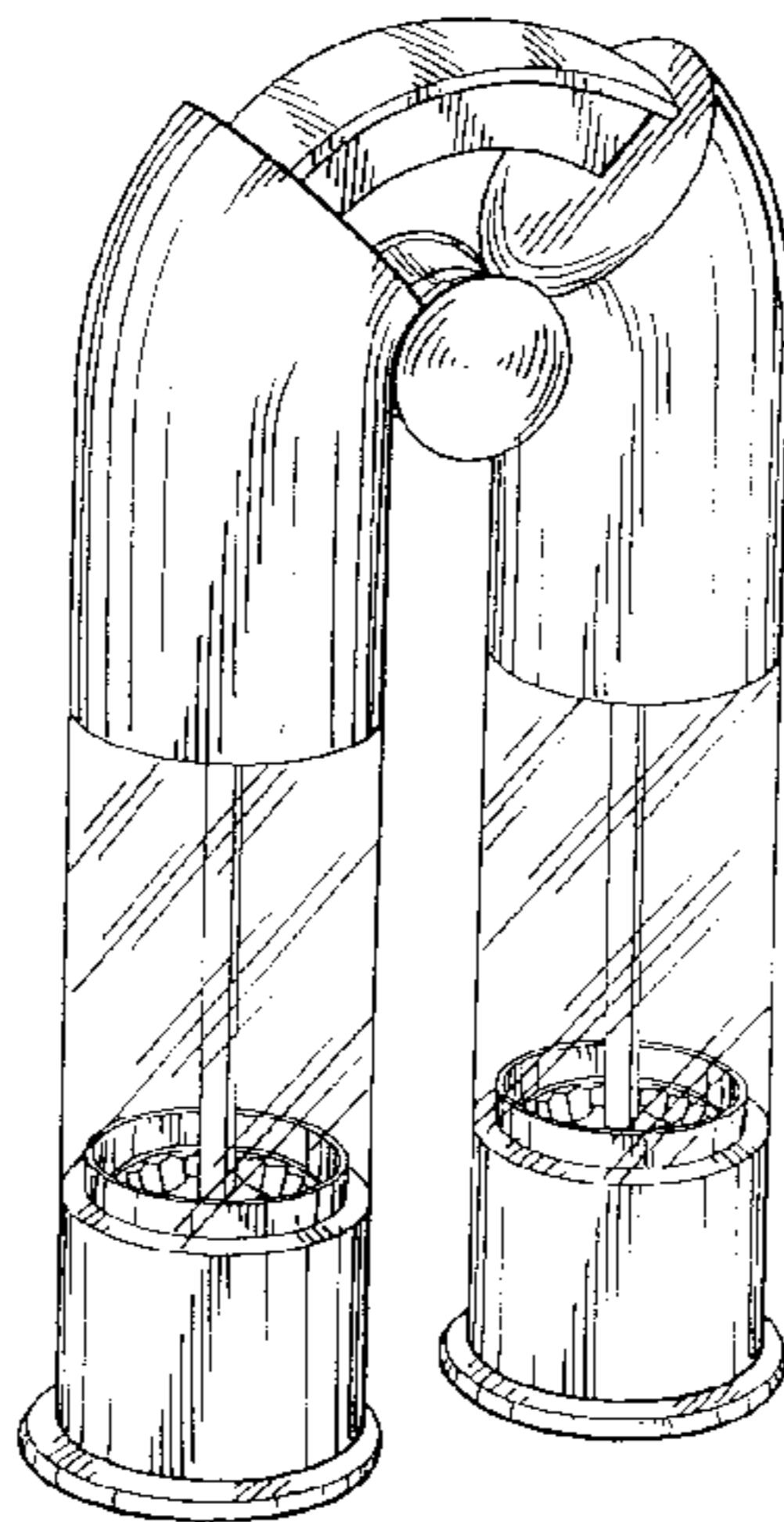
FIG. 8 is a perspective view thereof in an alternate position.

[56] **References Cited**

**U.S. PATENT DOCUMENTS**

D. 307,223 4/1990 Rossari ..... D7/679

**1 Claim, 4 Drawing Sheets**



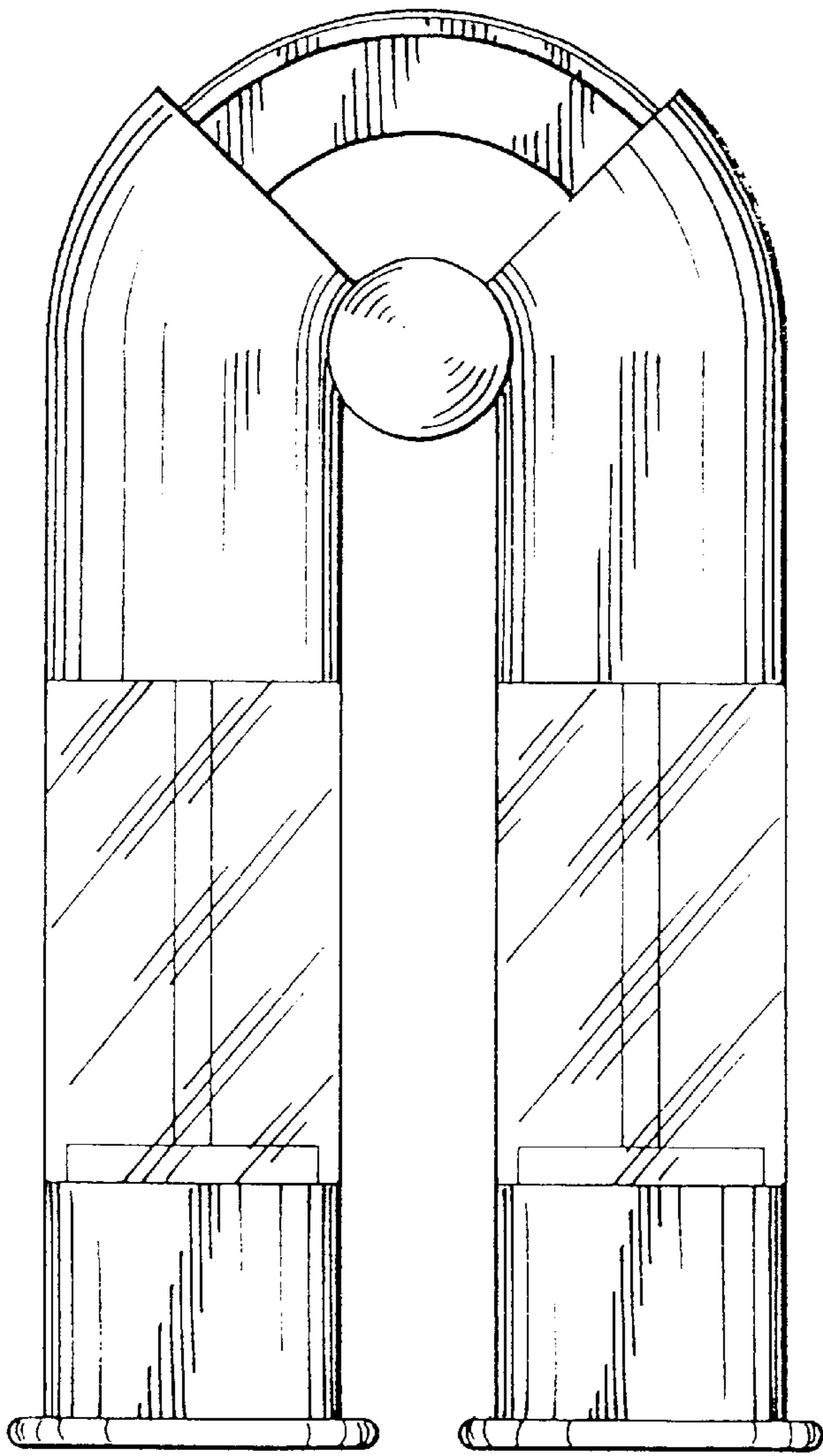


Fig. 1

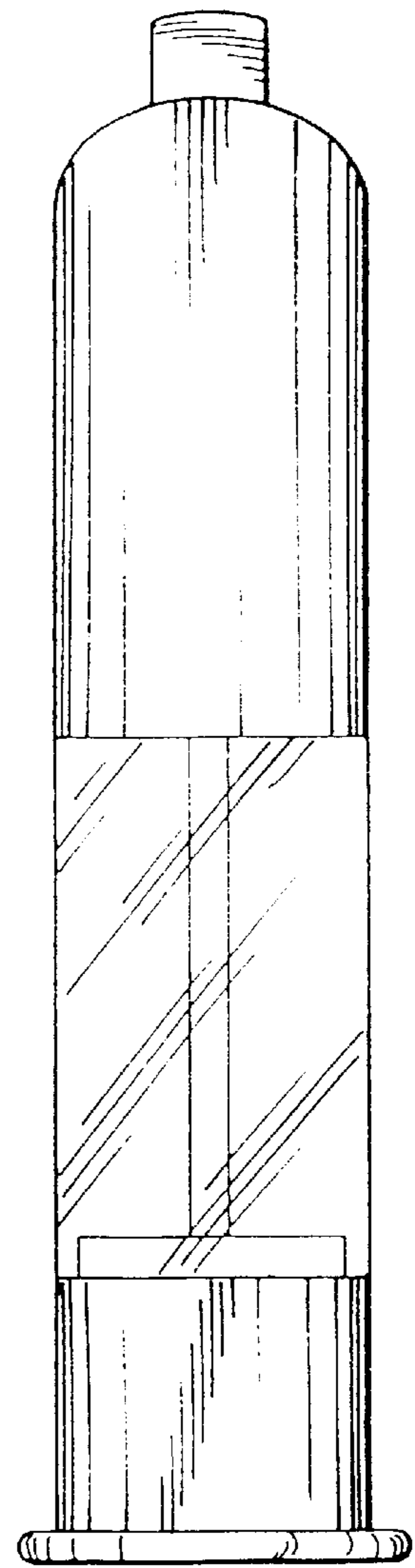


Fig. 2

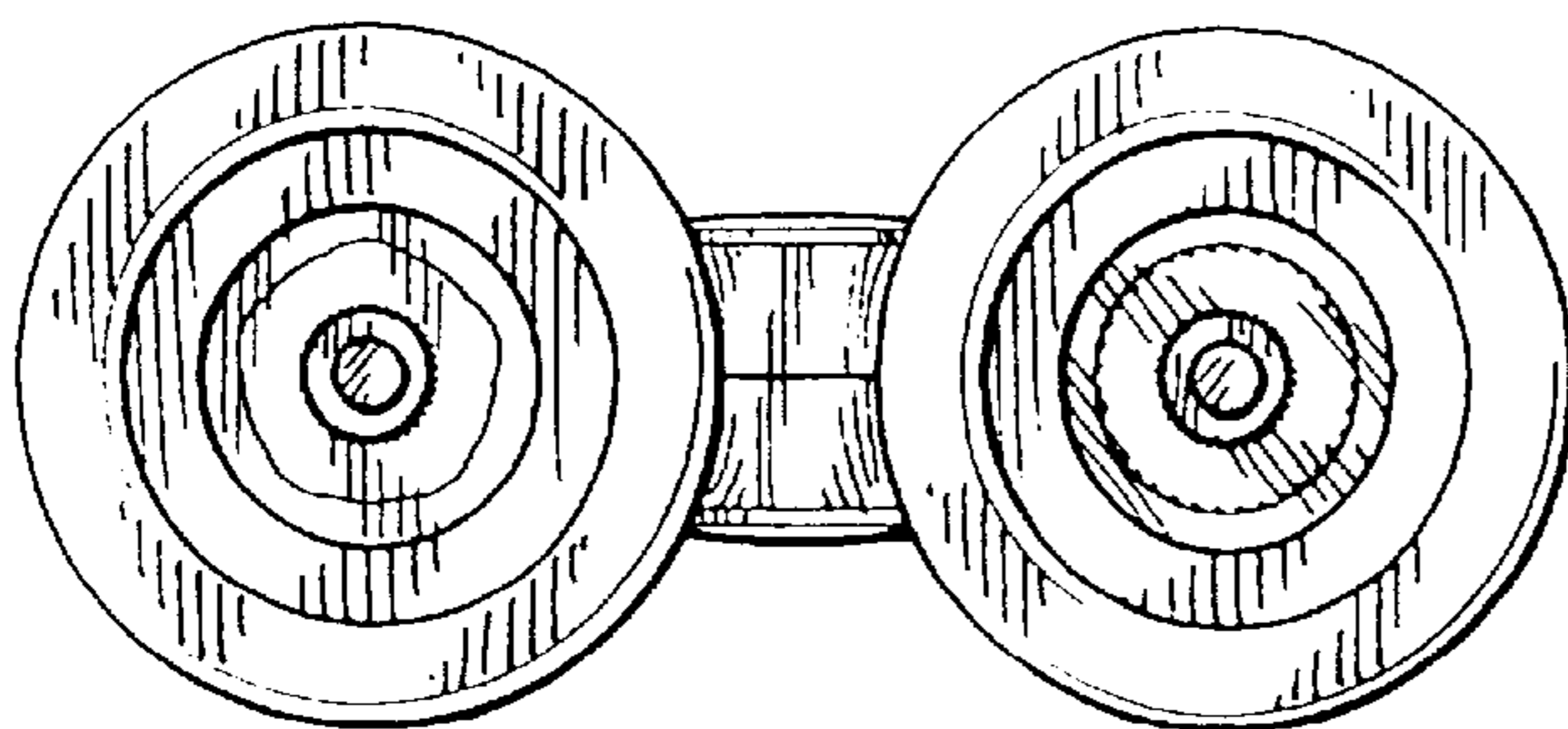


Fig. 3

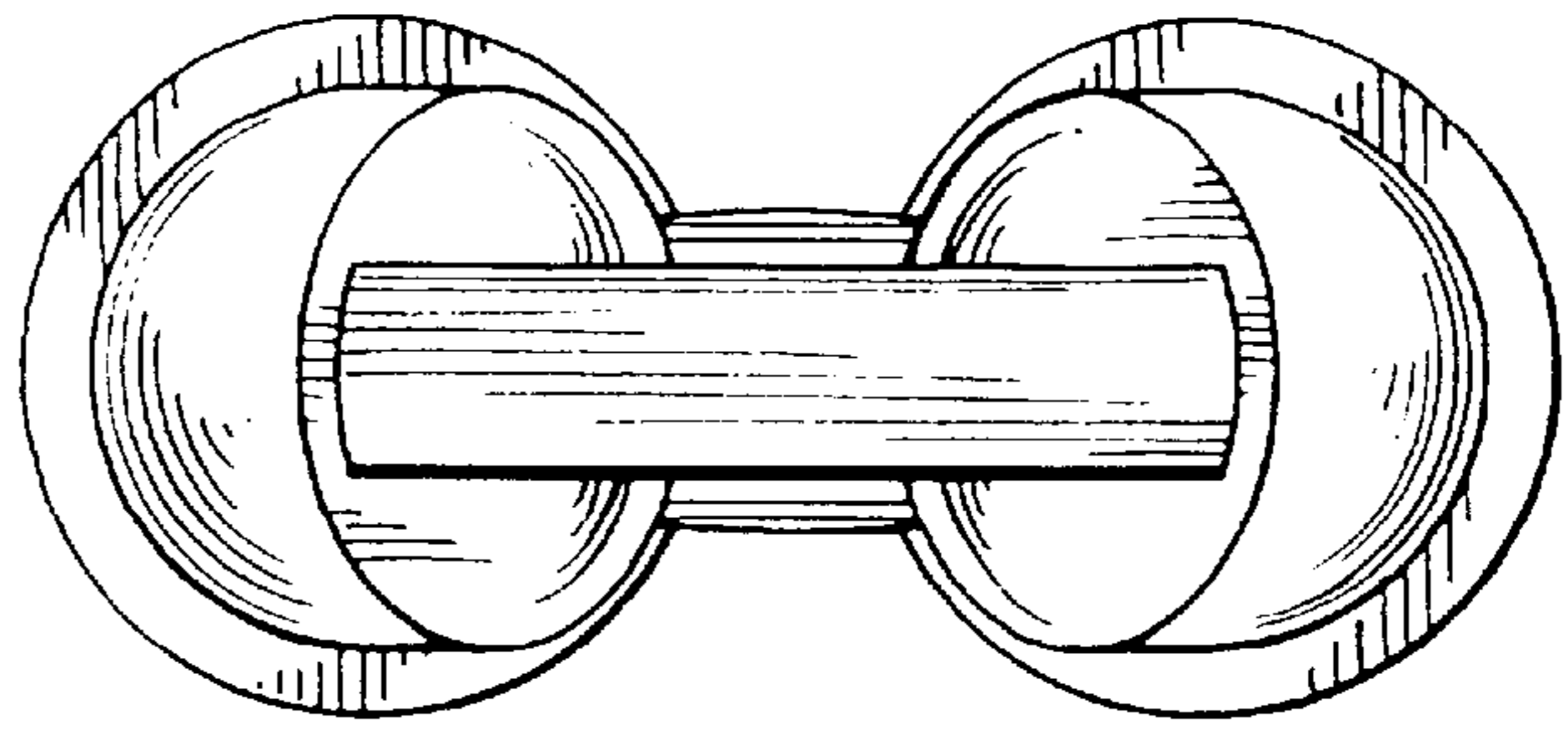


Fig. 5

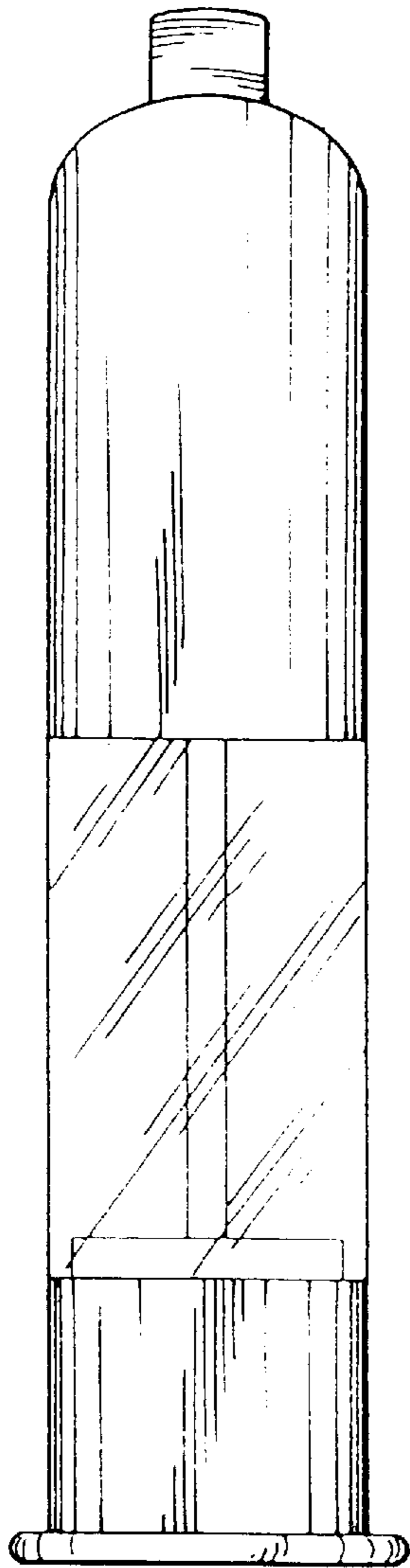


Fig. 4

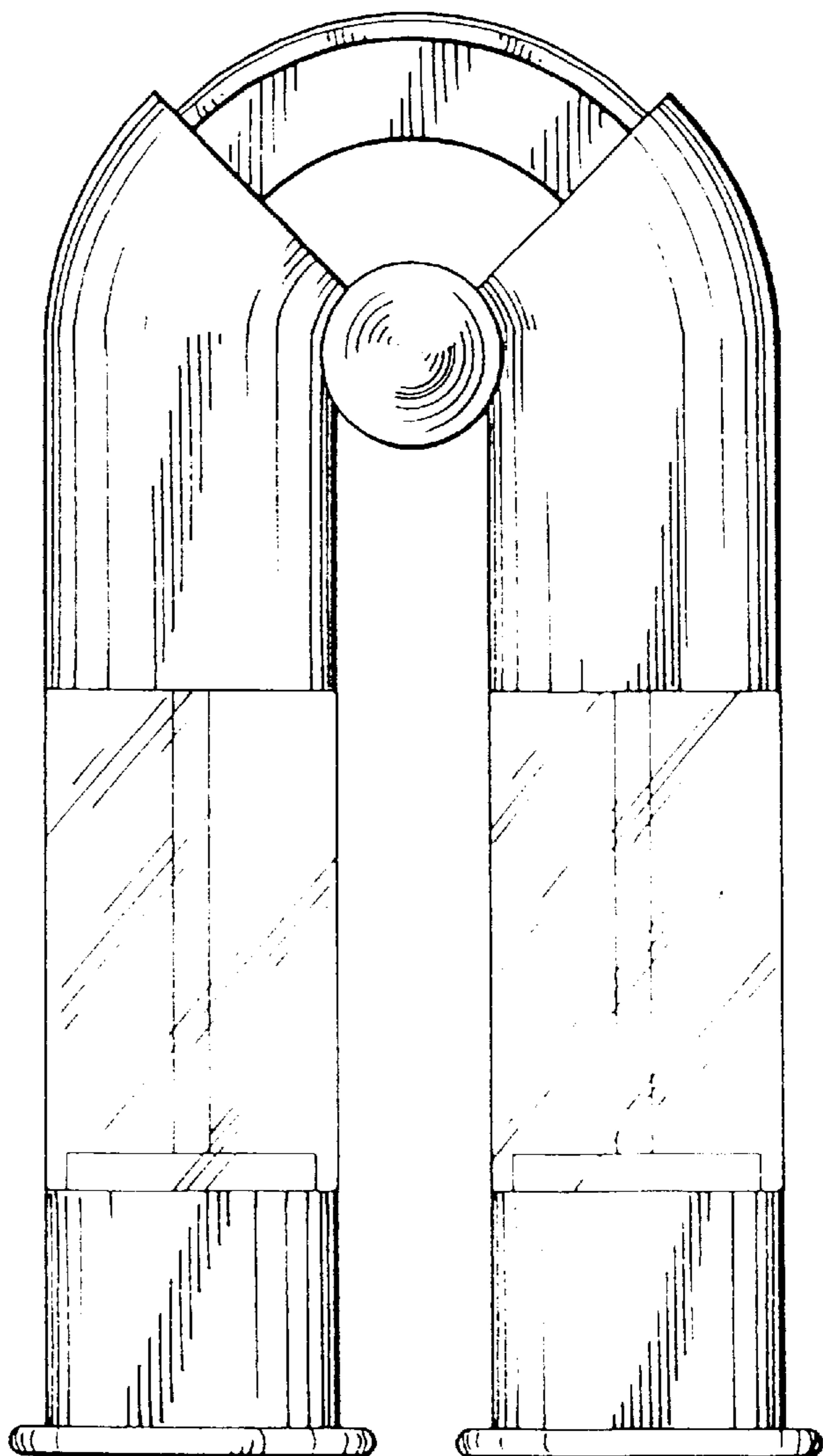


Fig. 6

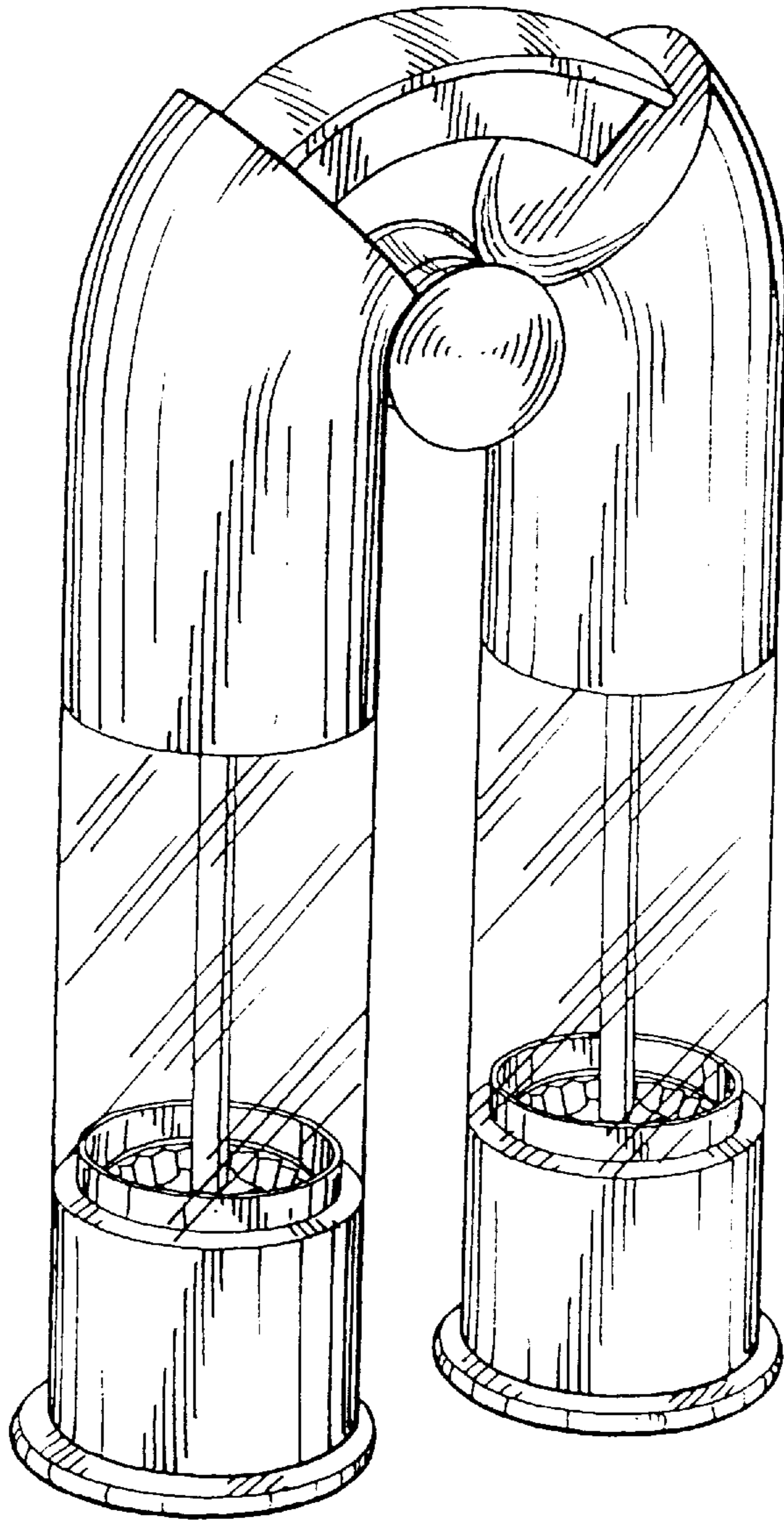


Fig. 7

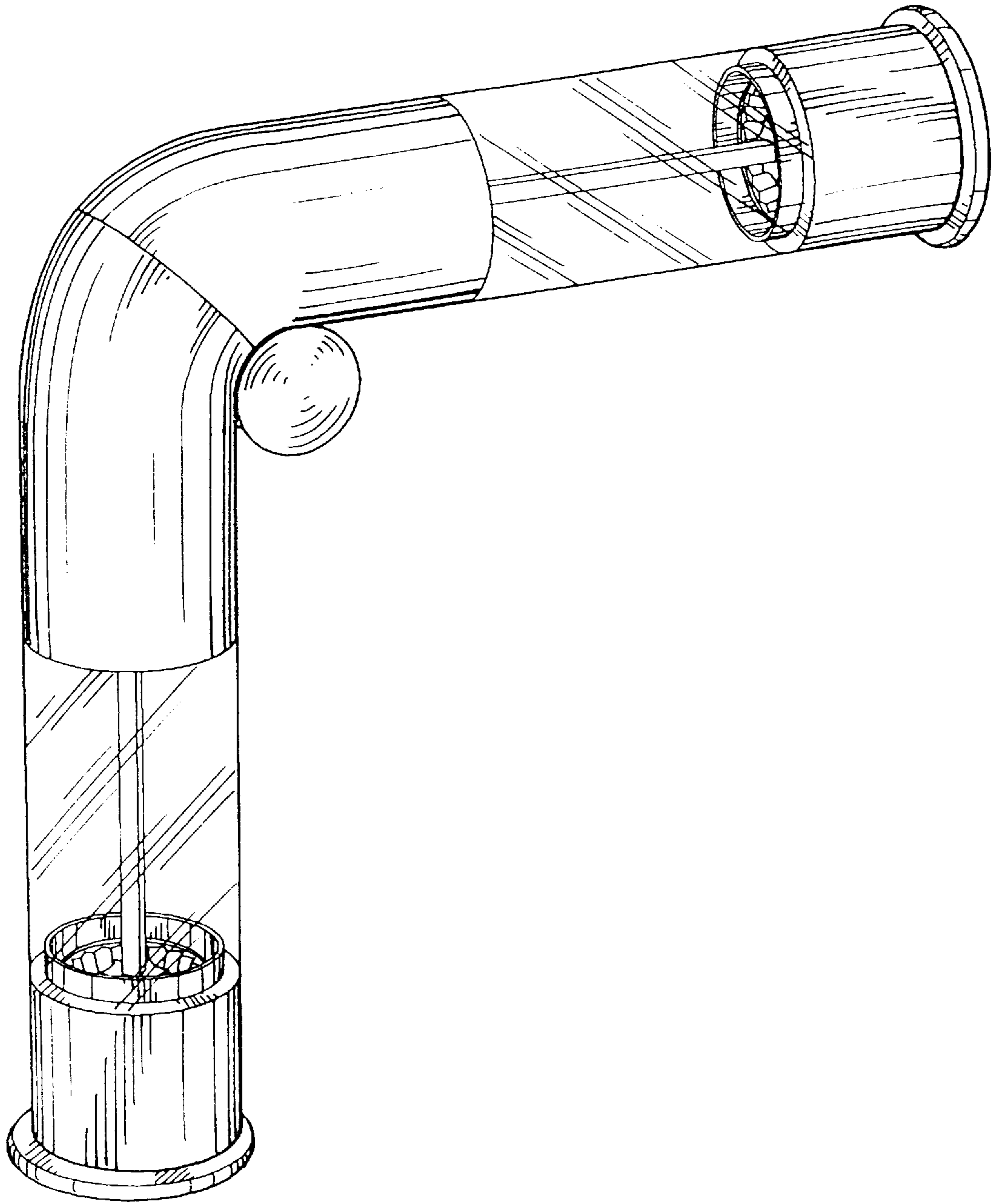


Fig. 8