



US00D402858S

# United States Patent [19]

Iannuzzi et al.

[11] **Patent Number: Des. 402,858**

[45] **Date of Patent: \*\*Dec. 22, 1998**

[54] **COMBINED RAVIOLI ROLLER AND COVER THEREFOR**

3,322,076 5/1967 Cronheim ..... D7/697 X  
3,994,652 11/1976 Kuzyk ..... 425/298

[76] Inventors: **Daniel Andrew Iannuzzi**, deceased, late of Unionville, Canada; by **Arnold Iannuzzi**, administrator, 646 Village Parkway, Unit 52, Unionville, Ontario L3R 2S7, Canada

*Primary Examiner*—Terry A. Wallace  
*Attorney, Agent, or Firm*—Frank A. Lukasik

[\*\*] Term: **14 Years**

[57] **CLAIM**

The ornamental design for a combined ravioli roller and cover therefor, as shown and described.

[21] Appl. No.: **78,646**

[22] Filed: **Oct. 31, 1997**

**DESCRIPTION**

[51] **LOC (6) Cl.** ..... **07-04**

[52] **U.S. Cl.** ..... **D7/672**

[58] **Field of Search** ..... D7/672, 677, 697;  
30/299, 304, 300, 306, 307, 310; 425/298,  
303, 304

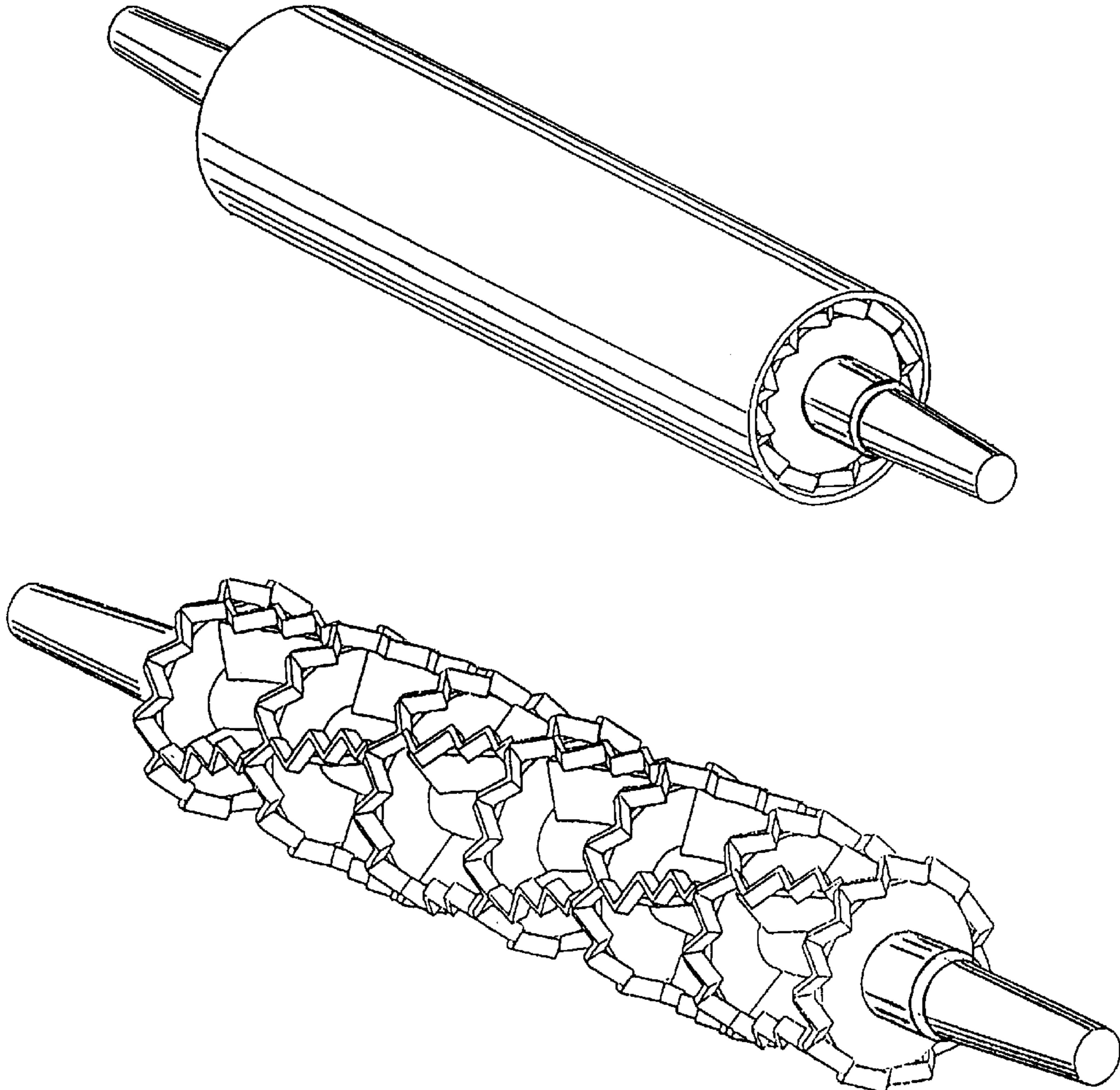
FIG. 1 is a top, front, left side perspective view of a combined ravioli roller and cover therefor, the opposite sides being identical;  
FIG. 2 is a top, front, left side perspective view of the cover shown separately for clarity of illustration, the opposite sides being identical;  
FIG. 3 is a top, front, left side perspective view of the ravioli roller shown separately for clarity of illustration, the opposite sides being identical;  
FIG. 4 is top, left side perspective view of FIG. 3, the dough shown in broken lines for illustrative purposes only; and,  
FIG. 5 is a top, front left side perspective view of FIG. 3, the dough shown in broken lines for illustrative purposes only.

[56] **References Cited**

**U.S. PATENT DOCUMENTS**

D. 240,288 6/1976 Wright ..... D7/672  
D. 279,753 7/1985 Ricke ..... D7/672  
3,186,362 6/1965 Iannuzzi, Sr. .... 425/298

**1 Claim, 5 Drawing Sheets**



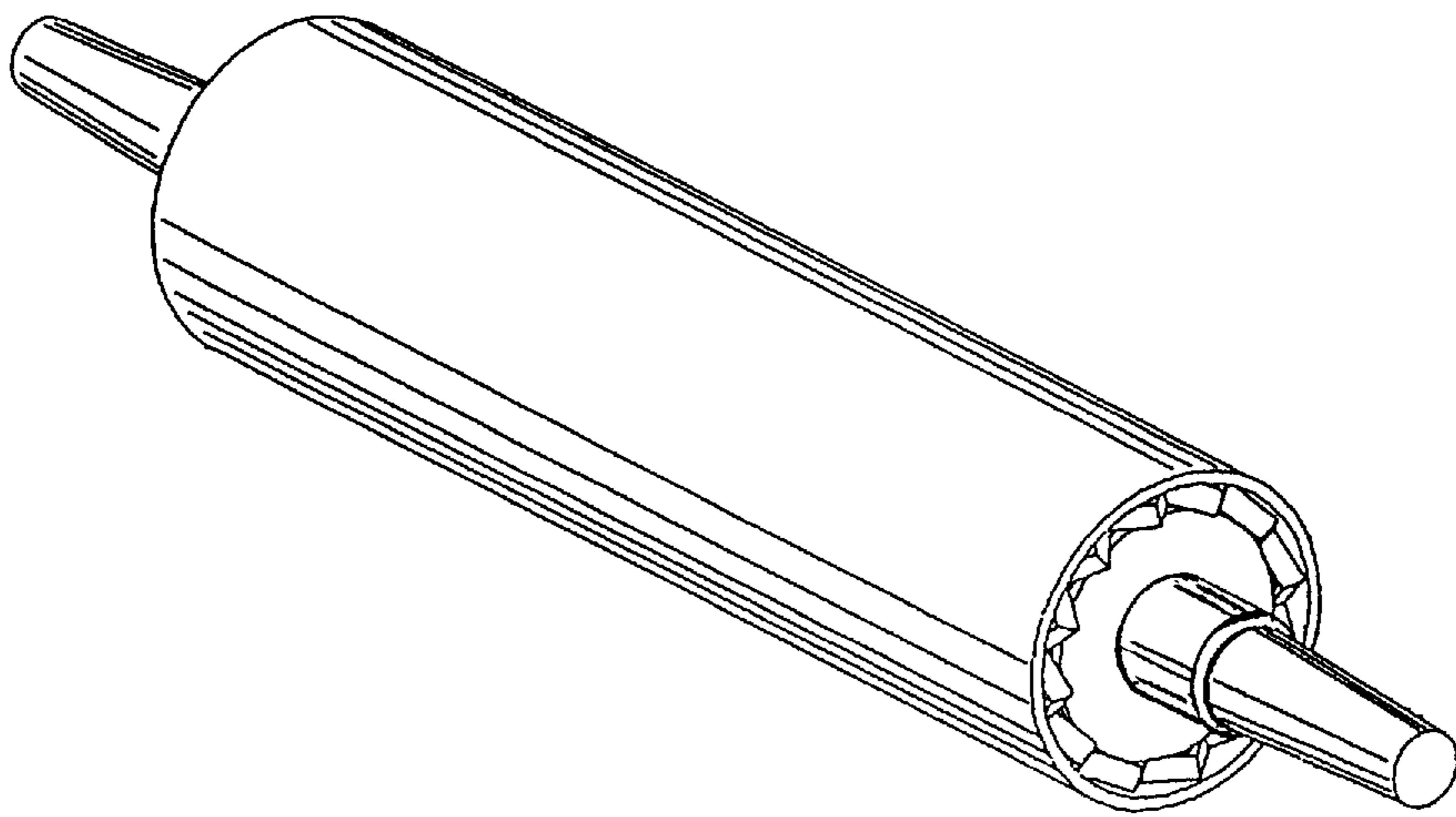


FIG. 1

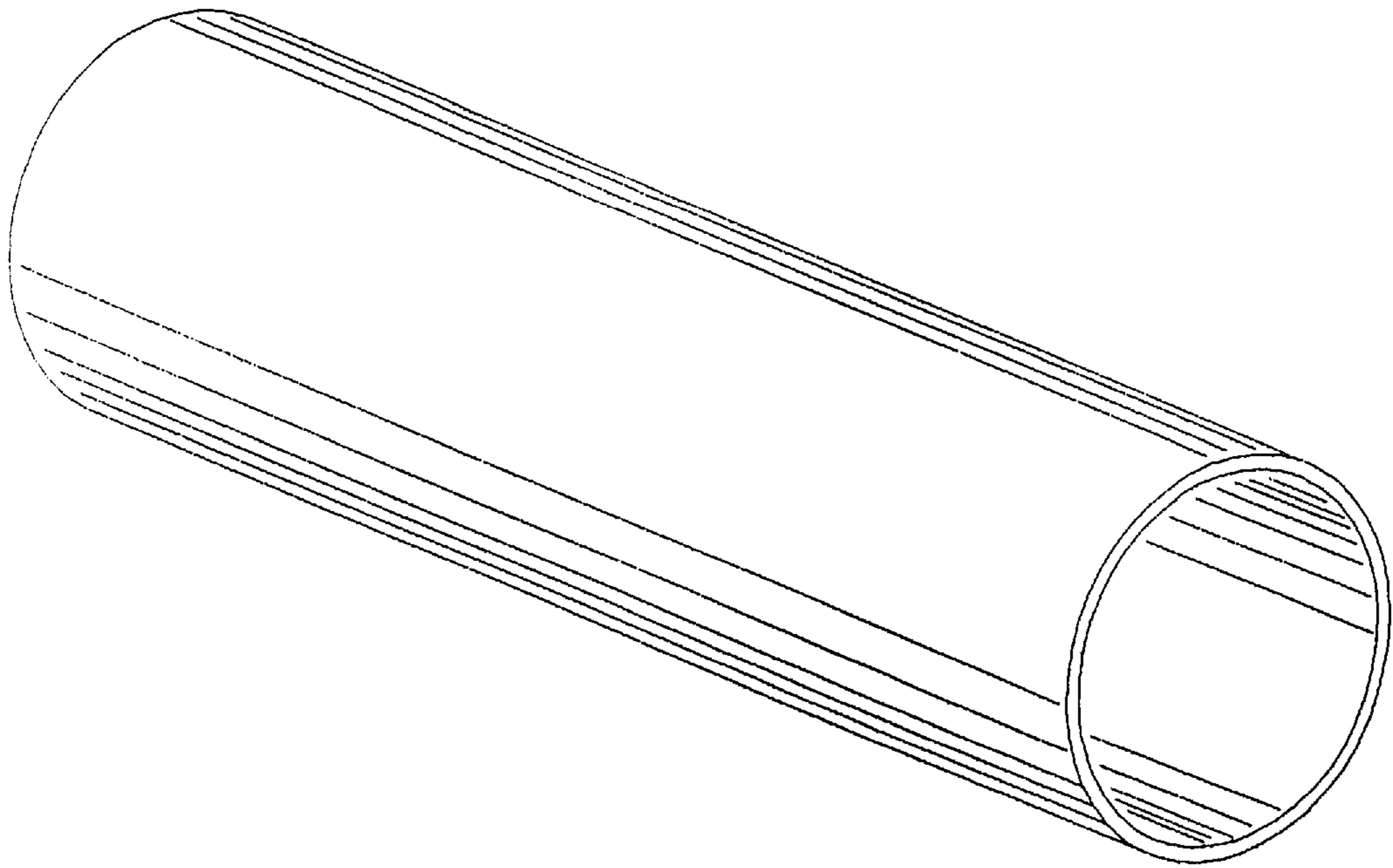


FIG. 2

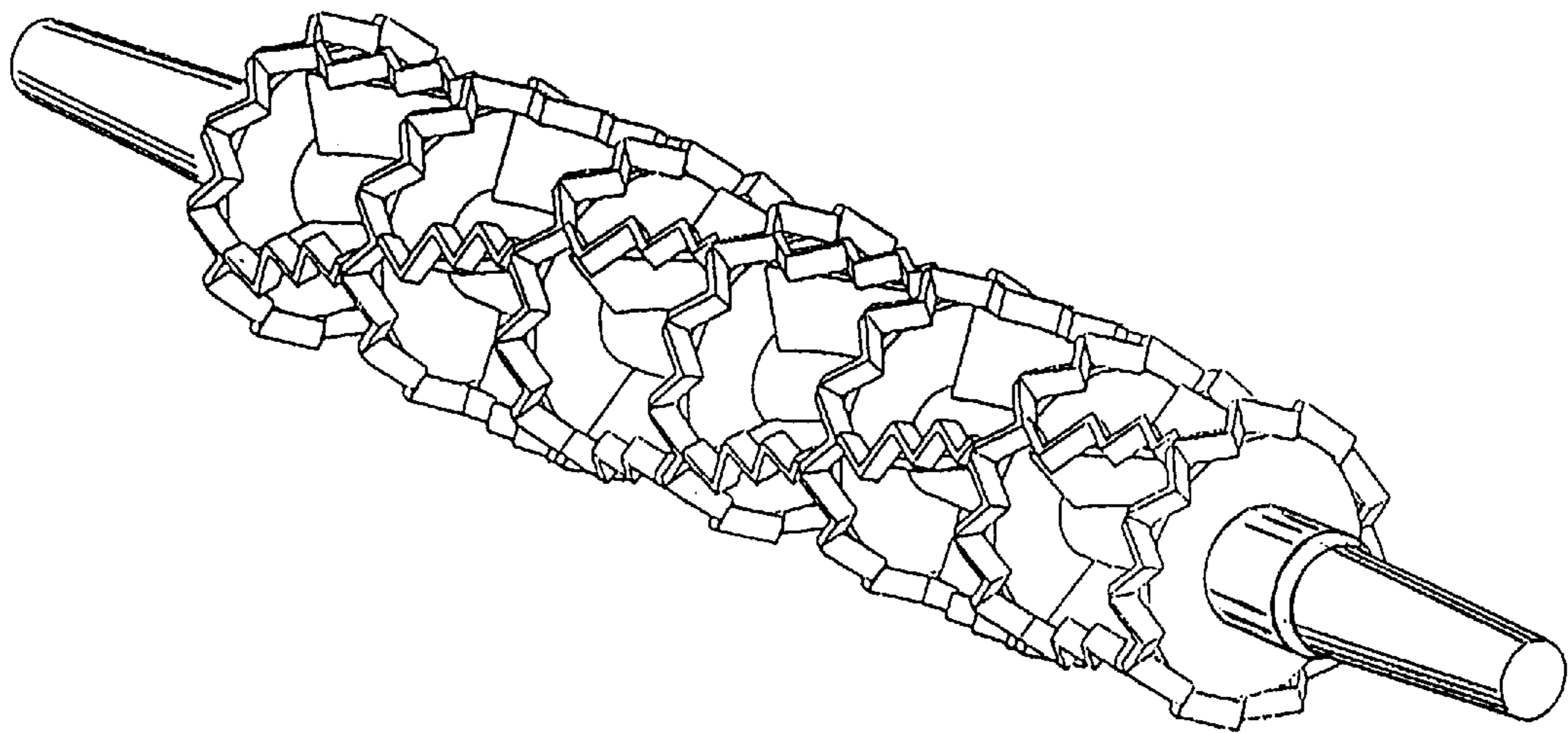
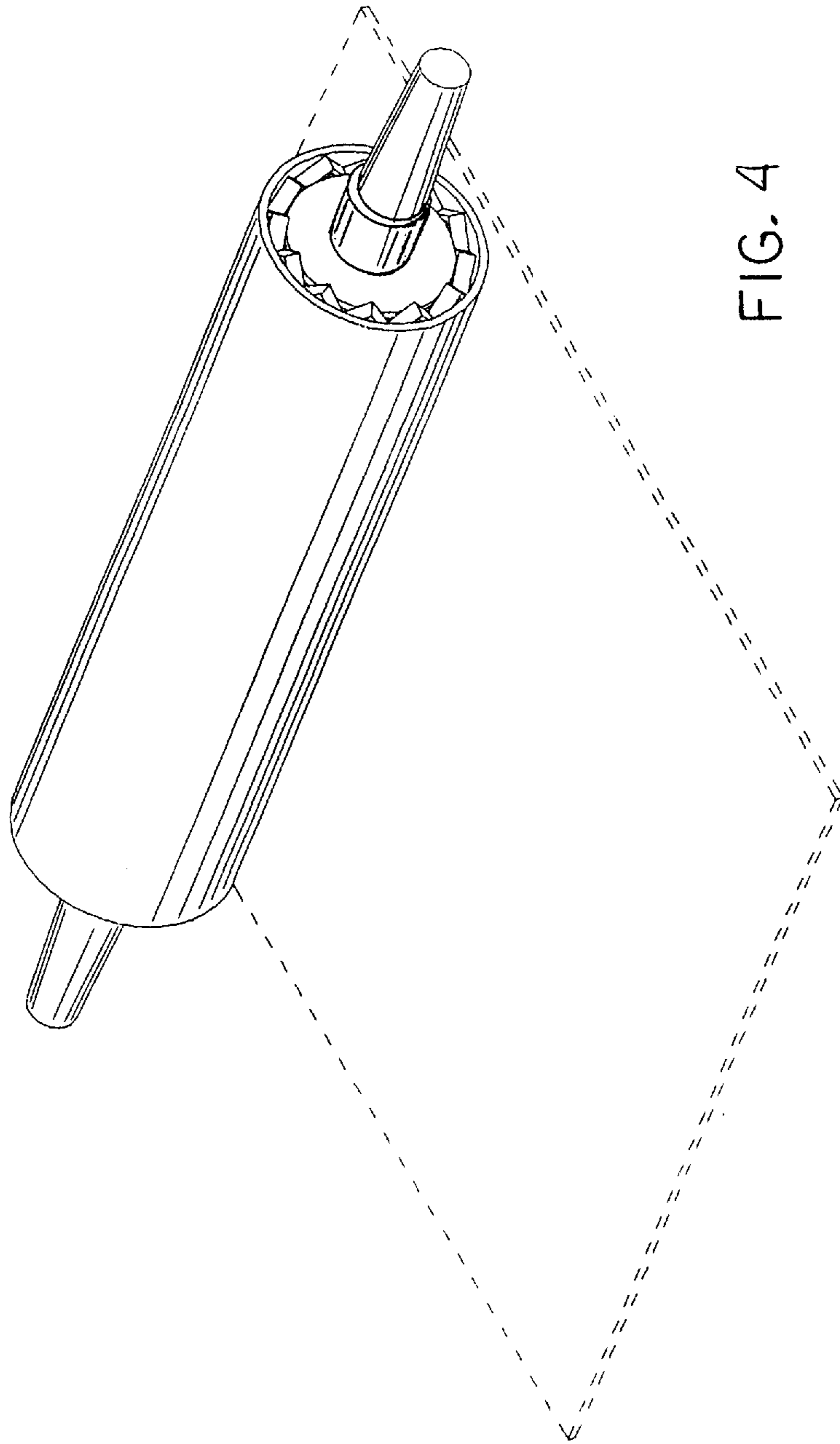


FIG. 3





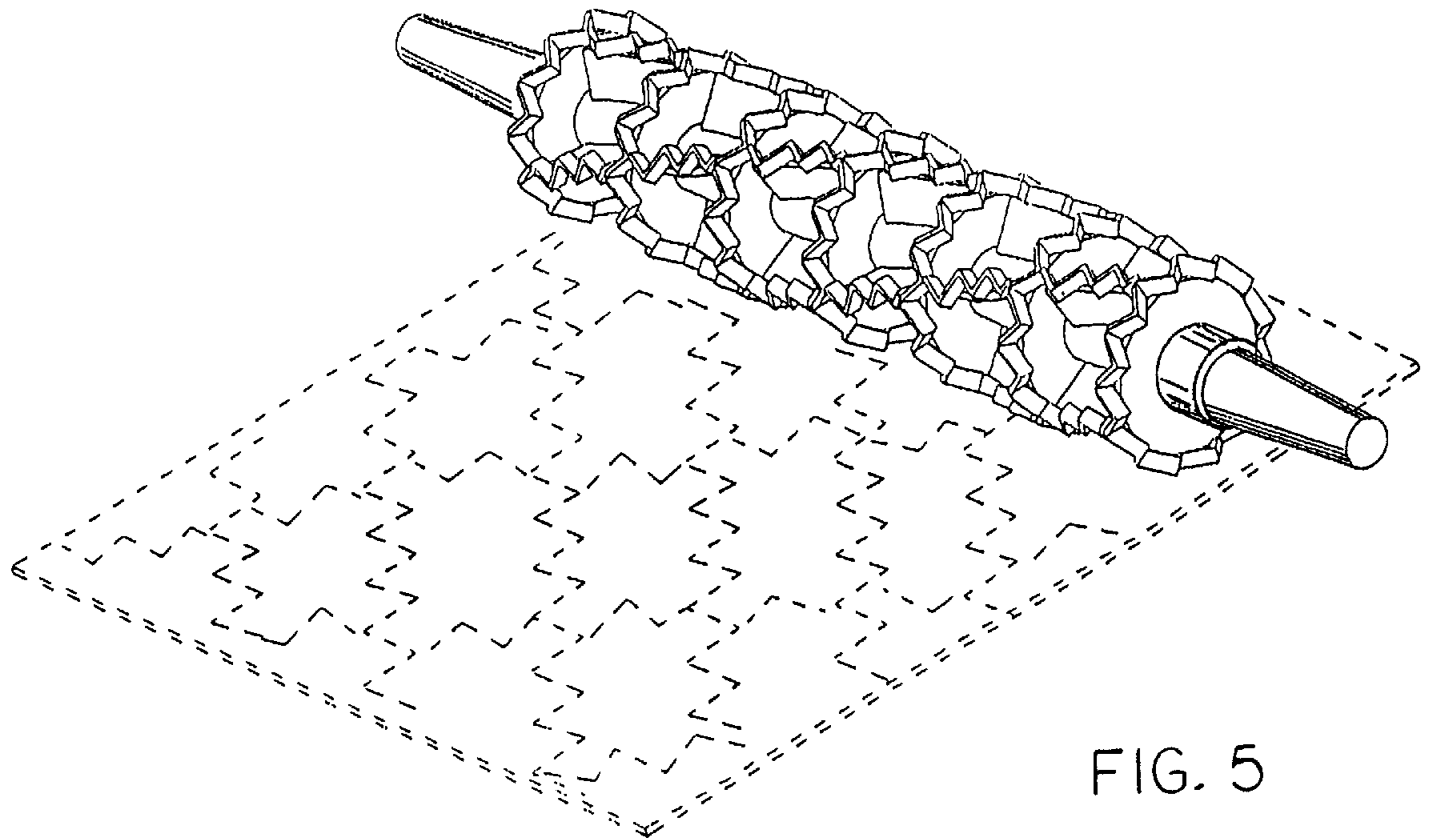


FIG. 5