



US00D402853S

United States Patent [19]

[11] Patent Number: Des. 402,853

Fritze et al.

[45] Date of Patent: **Dec. 22, 1998

[54] SINGLE STAGE BULK FOOD DISPENSER

5,353,847 10/1994 Cahlander et al. .

[75] Inventors: **Karl J. Fritze**, Denmark Township;
Bruce H. Koerner, Red Wing;
Ferdinand J. Herpers, Minnetonka;
Kirby J. Kuhlemeier, Cottage Grove,
all of Minn.

OTHER PUBLICATIONS

RAM Center, Inc., Brochure for RAM Center ARCH® Fry Dispenser, 1994 (Exhibit A).
RAM Center, Inc., Brochure for ARCH® 280 Fry Dispenser, 1995 (Exhibit B).

[73] Assignee: **RAM Center, Inc.**, Red Wing, Minn.

Primary Examiner—Terry A. Wallace
Attorney, Agent, or Firm—Merchant, Gould, Smith, Edell,
Welter & Schmidt, P.A.

[**] Term: **14 Years**

[21] Appl. No.: **71,984**

[57] CLAIM

[22] Filed: **Jun. 10, 1997**

The ornamental design for single stage bulk food dispenser, as shown and described.

[51] LOC (6) Cl. **07-01**

DESCRIPTION

[52] U.S. Cl. **D7/589**

[58] Field of Search D7/589; 99/404,
99/707; 141/1, 83, 129, 153, 159; 177/114

FIG. 1 is a perspective view of the single stage bulk food dispenser;
FIG. 2 is a front elevation view of the invention;
FIG. 3 is a back elevation view of the invention;
FIG. 4 is a left side elevation view of the invention;
FIG. 5 is a right side elevational view of the invention; and,
FIG. 6 is a top plan view of the invention.

[56] References Cited

U.S. PATENT DOCUMENTS

3,456,748 7/1969 Allen et al. 177/144 X
5,191,918 3/1993 Cahlander et al. .
5,282,498 2/1994 Cahlander et al. .

1 Claim, 6 Drawing Sheets

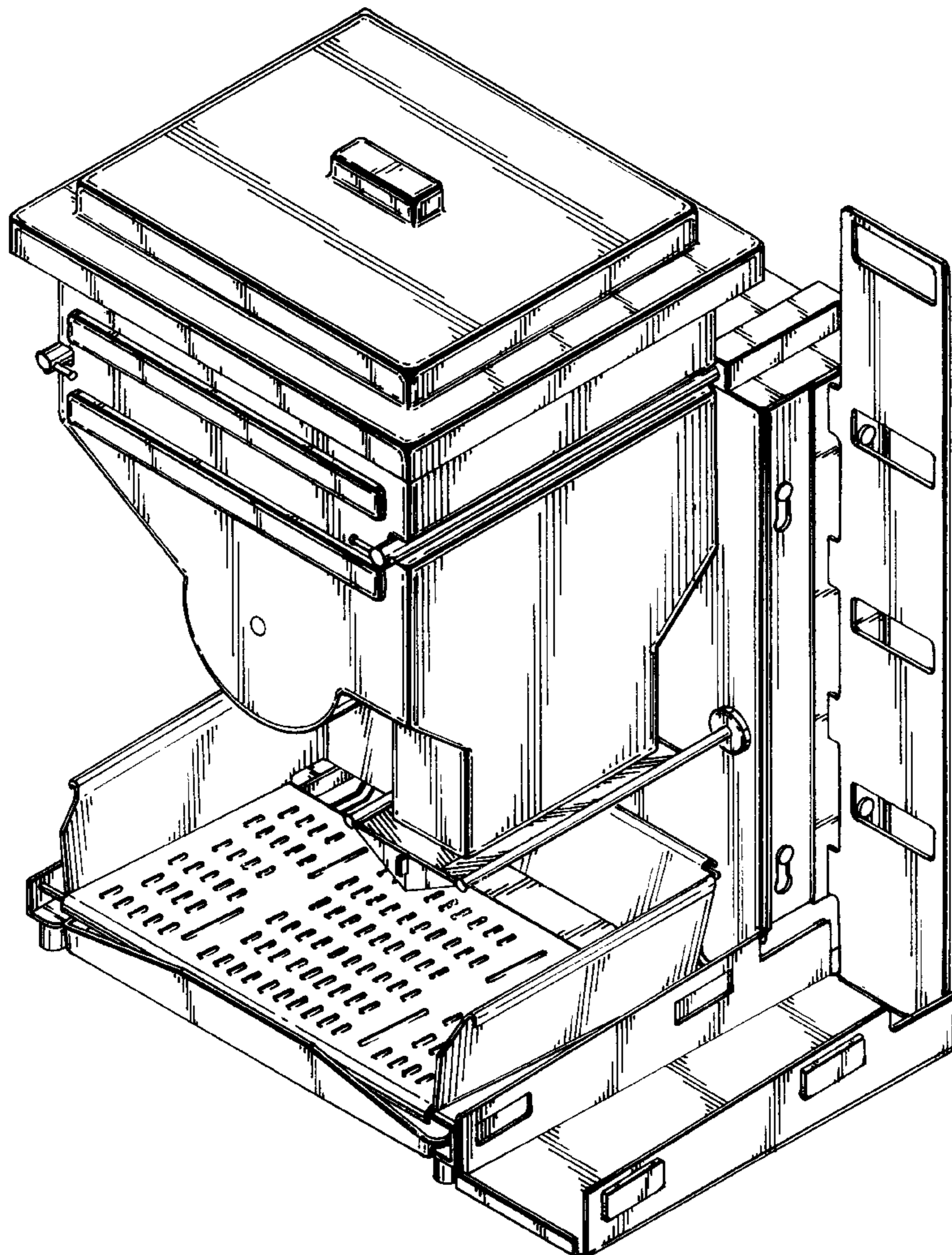


FIG. 1

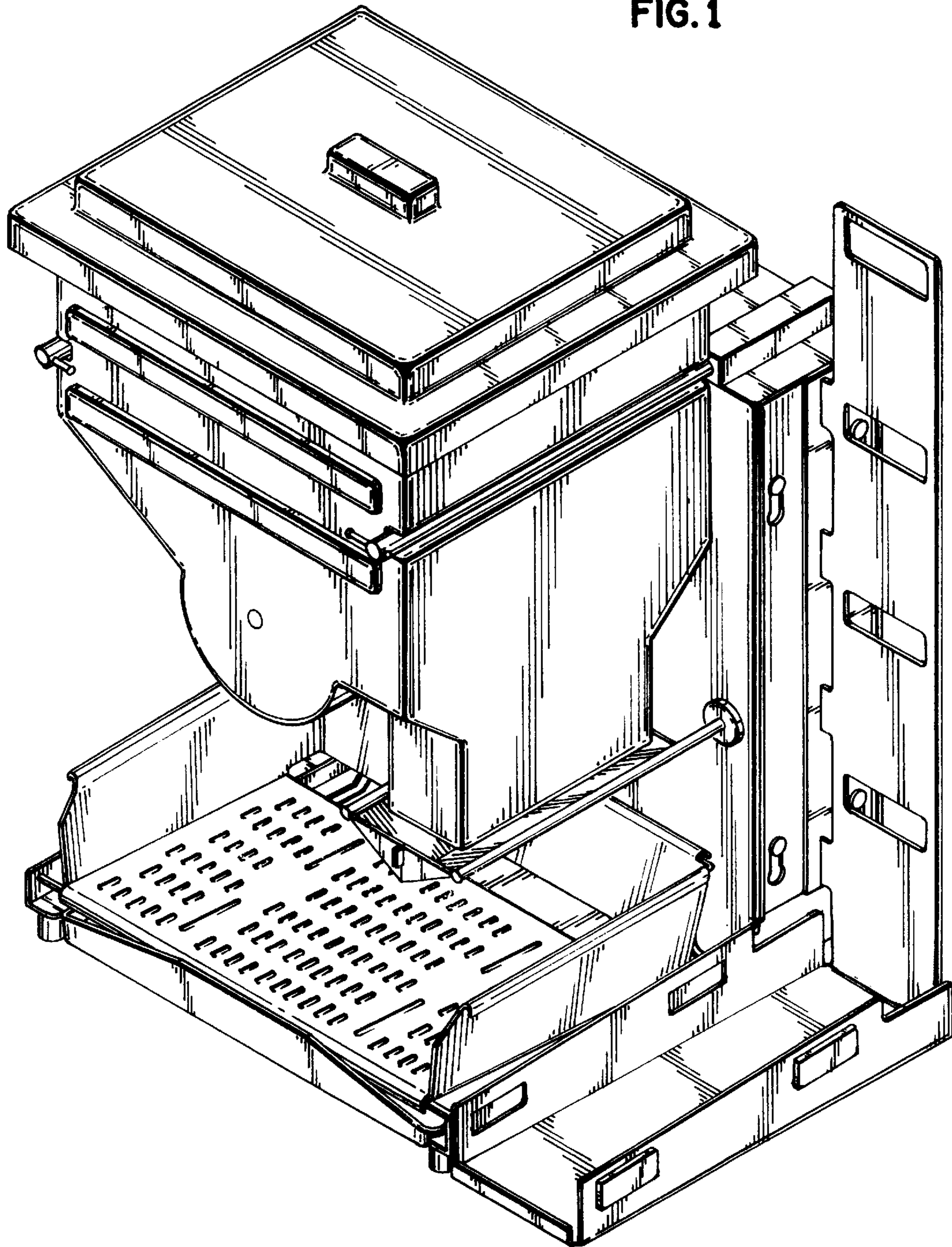


FIG. 2

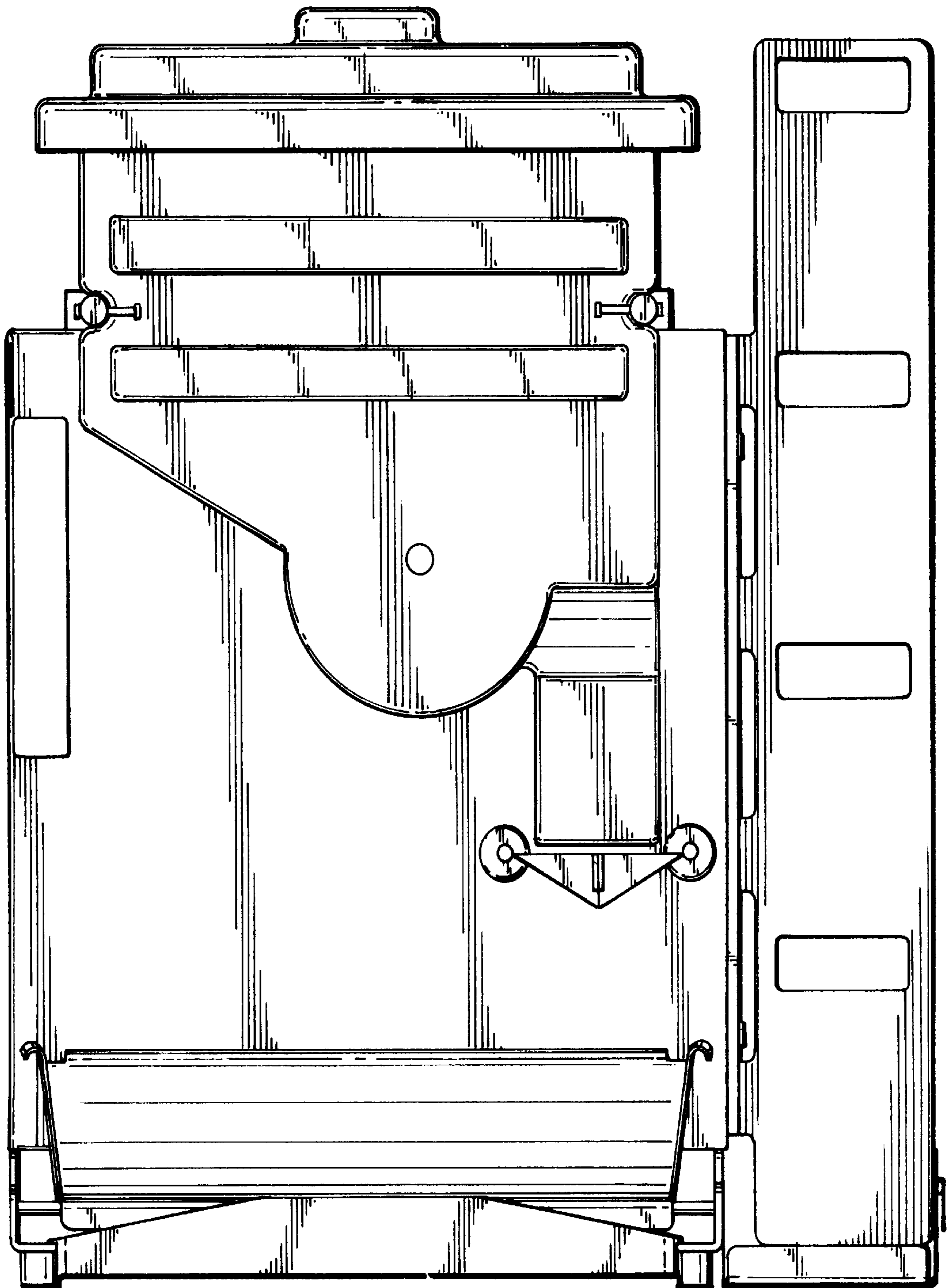


FIG. 3

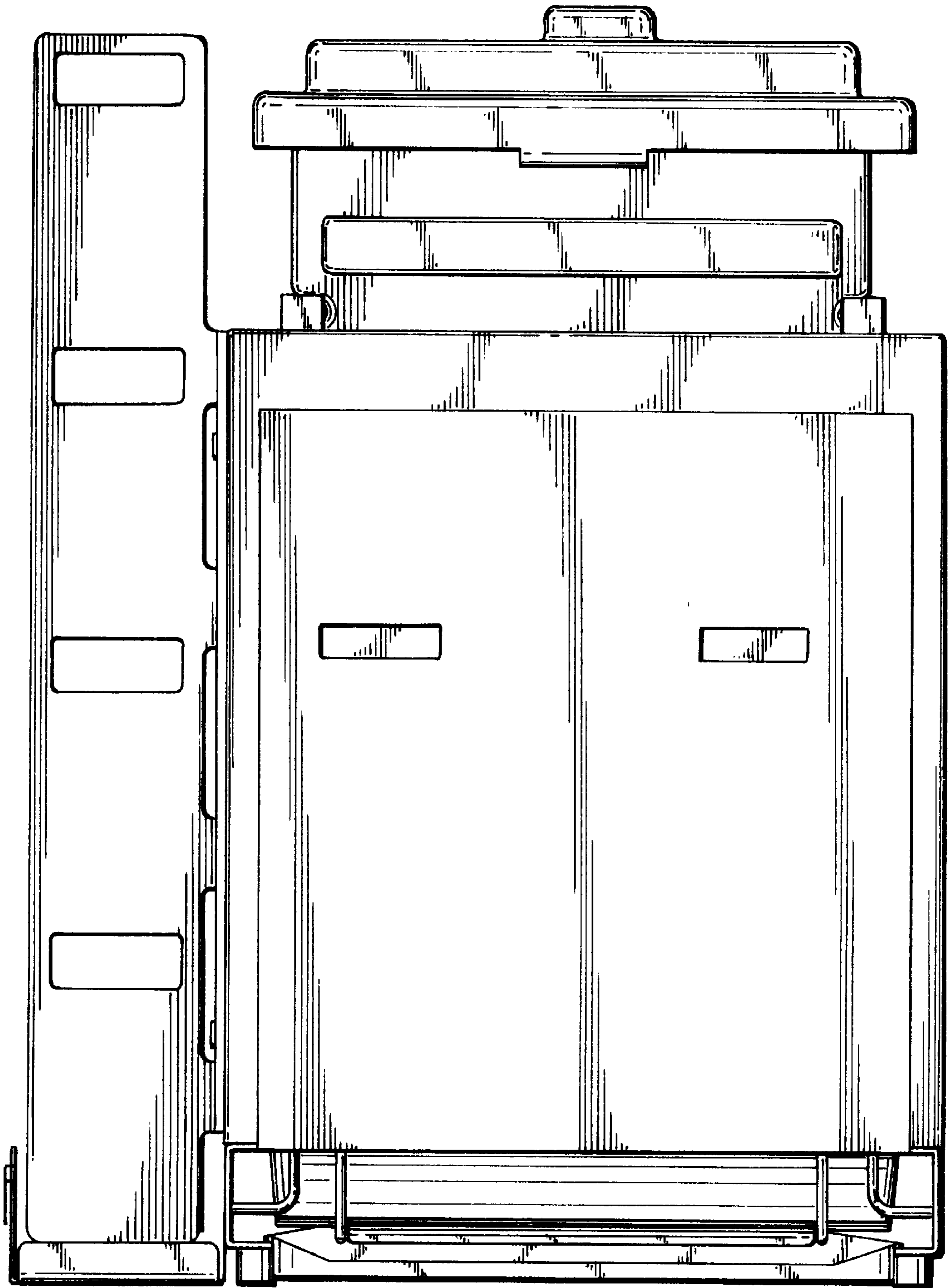


FIG. 4

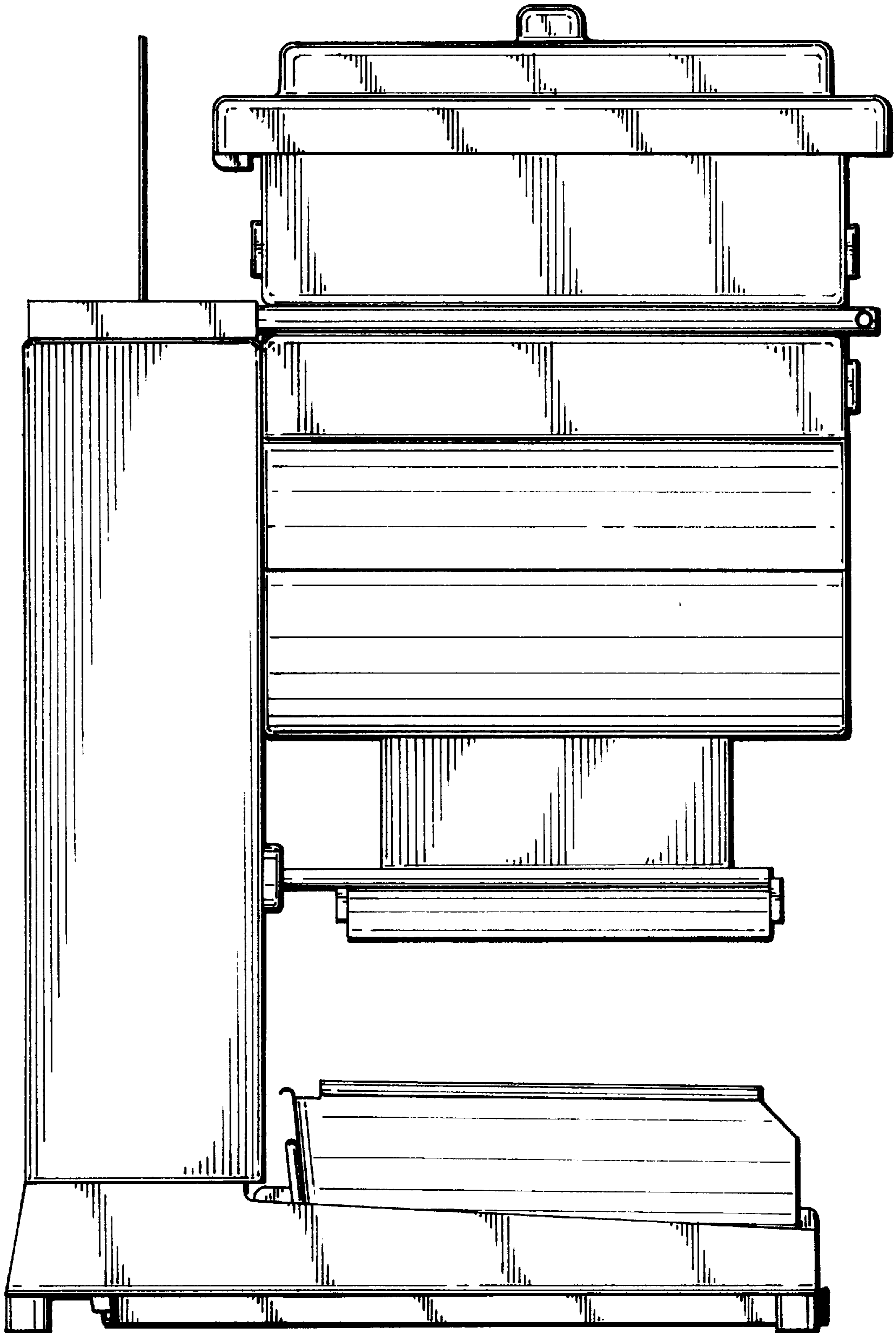


FIG. 5

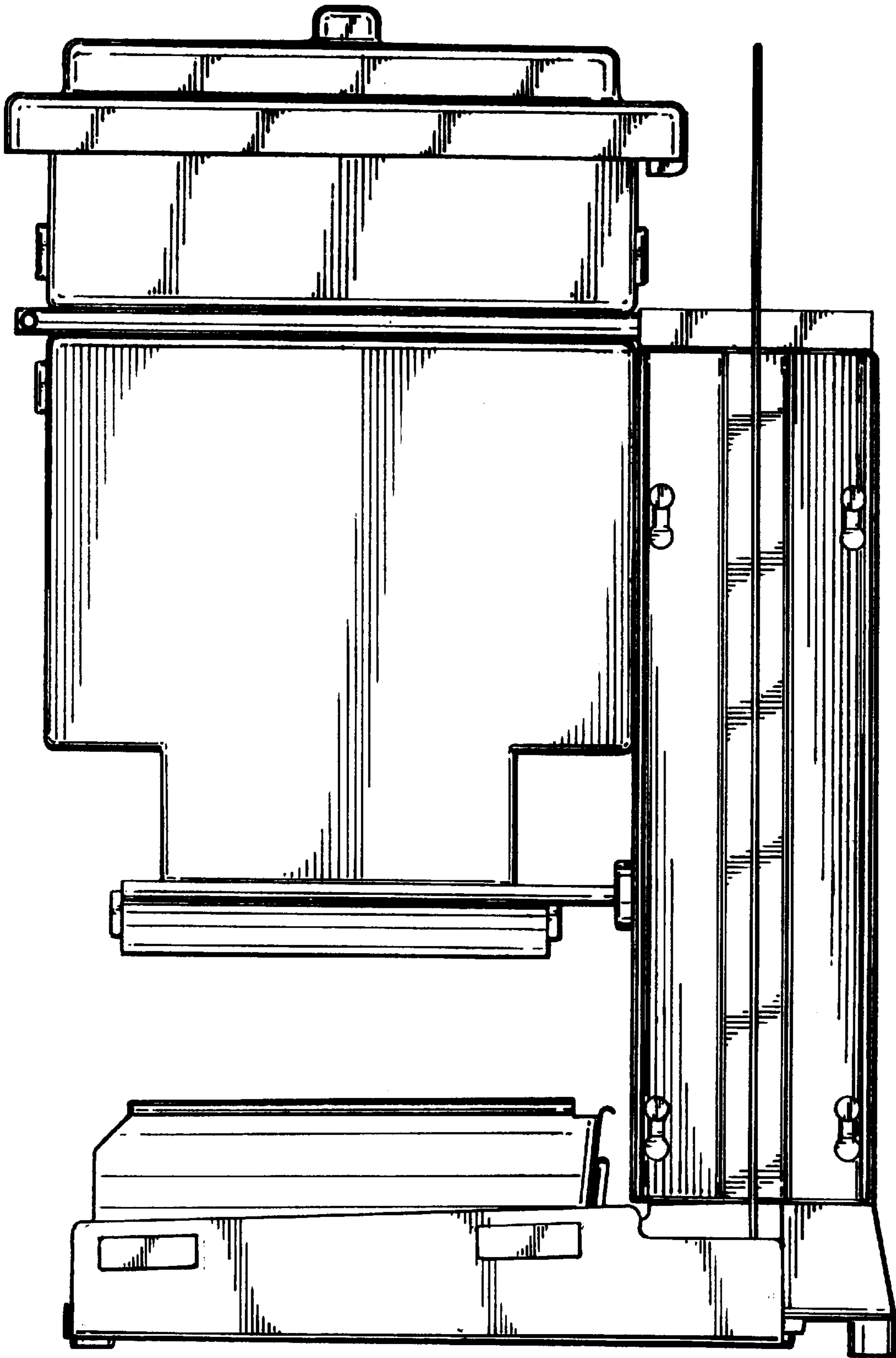


FIG. 6

